



US00D980786S

(12) **United States Design Patent**
Miyazaki

(10) **Patent No.:** **US D980,786 S**
(45) **Date of Patent:** **** Mar. 14, 2023**

- (54) **TIRE**
- (71) Applicant: **Toyo Tire Corporation**, Itami (JP)
- (72) Inventor: **Tetsuji Miyazaki**, Itami (JP)
- (73) Assignee: **Toyo Tire Corporation**, Itami (JP)
- (**) Term: **15 Years**
- (21) Appl. No.: **29/786,910**
- (22) Filed: **Jun. 3, 2021**

(30) **Foreign Application Priority Data**

Dec. 9, 2020 (JP) 2020-026527 D

(51) **LOC (14) Cl.** **12-15**

(52) **U.S. Cl.**
USPC **D12/521**

(58) **Field of Classification Search**
USPC D12/500-532, 604, 900
CPC Y10T 152/10027; B60C 1/0016; B60C
11/0306; B60C 11/0302; B60C 3/06;
B60C 9/17
See application file for complete search history.

(56) **References Cited**

U.S. PATENT DOCUMENTS

- D763,172 S * 8/2016 Sato D12/531
- D764,389 S * 8/2016 Thieman
- D785,543 S * 5/2017 Suzuki D12/520
- D785,545 S * 5/2017 Nakajima D12/521
- D790,440 S * 6/2017 Schoepner D12/521
- D792,322 S * 7/2017 Taniguchi D12/521
- D808,331 S * 1/2018 Schoepner D12/521

- 9,994,077 B2 * 6/2018 Wakizono B60C 11/0304
- D884,582 S 5/2020 Shibayama
- D894,094 S * 8/2020 Kameda D12/516
- D913,204 S * 3/2021 Sareen D12/527
- D944,186 S * 2/2022 Yagi D12/521
- D958,052 S * 7/2022 Haan D12/531
- 2018/0333991 A1 * 11/2018 Oda B60C 11/11

FOREIGN PATENT DOCUMENTS

JP 1538031 S 11/2015

* cited by examiner

Primary Examiner — John A Voytek

(74) *Attorney, Agent, or Firm* — Sterne, Kessler,
Goldstein & Fox P.L.L.C.

(57) **CLAIM**

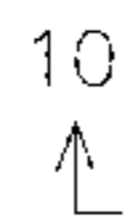
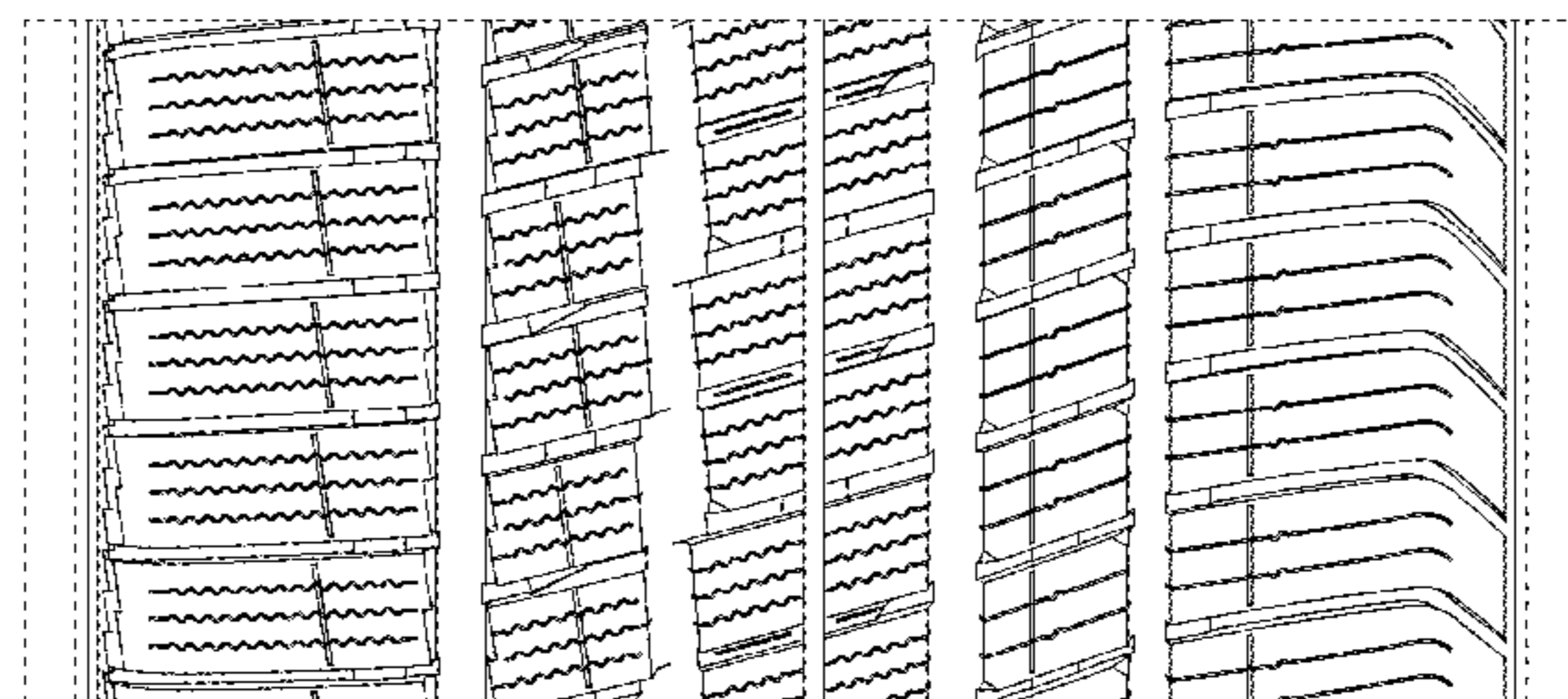
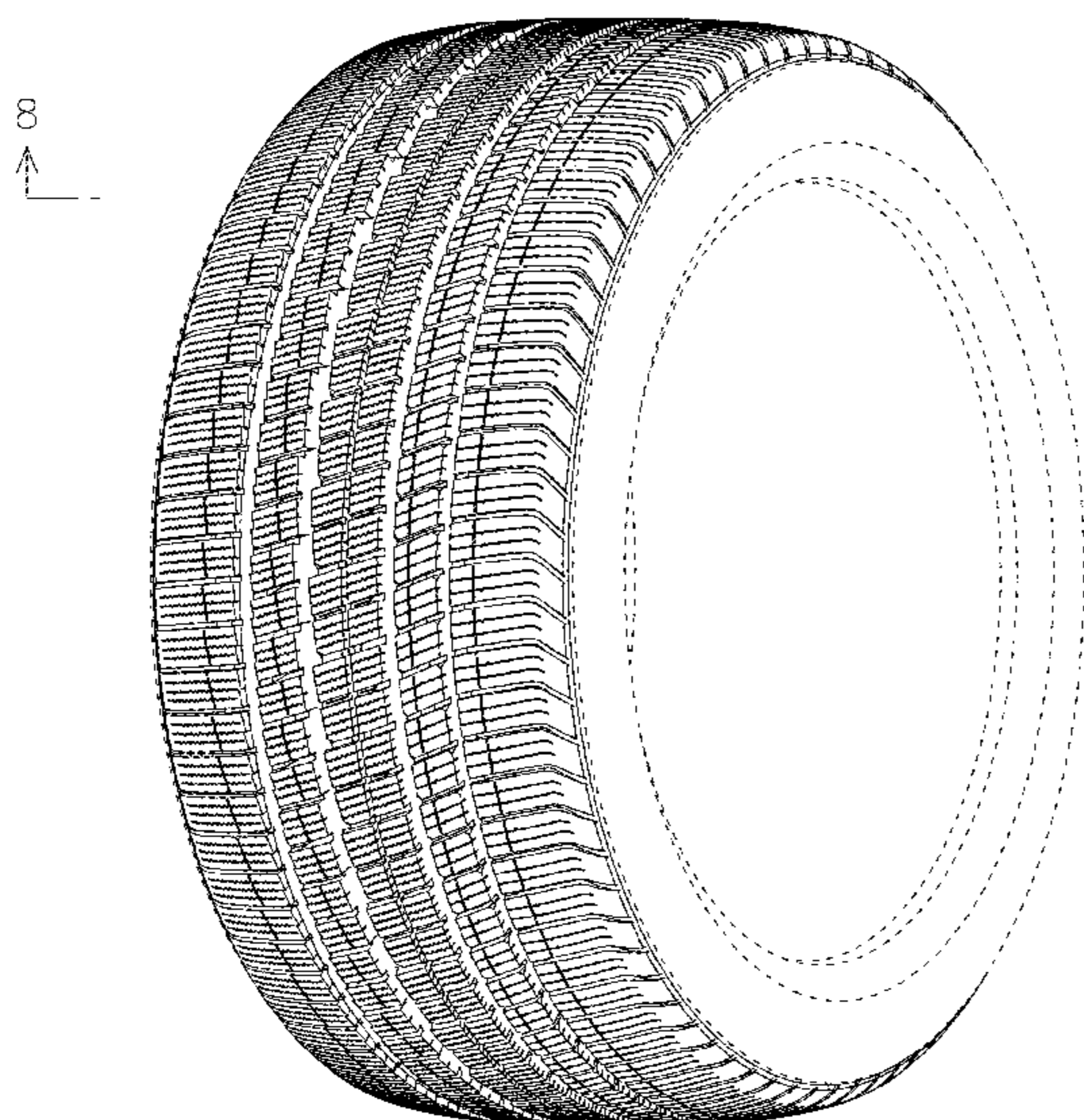
The ornamental design for a tire, as shown and described.

DESCRIPTION

FIG. 1 is a front perspective view of a tire showing the claimed design;
 FIG. 2 is a front view thereof;
 FIG. 3 is a rear view thereof;
 FIG. 4 is a top plan view thereof;
 FIG. 5 is a bottom plan view thereof;
 FIG. 6 is a right side view thereof;
 FIG. 7 is a left side view thereof;
 FIG. 8 is an enlarged view taken along line 8-8 in FIG. 1;
 FIG. 9 is an enlarged view of the portion 9-9 in FIG. 2; and,
 FIG. 10 is a cross-sectional view taken along line 10-10 in FIG. 9.

In the drawings, the broken lines show portions of the tire that form no part of the claimed design.

1 Claim, 10 Drawing Sheets



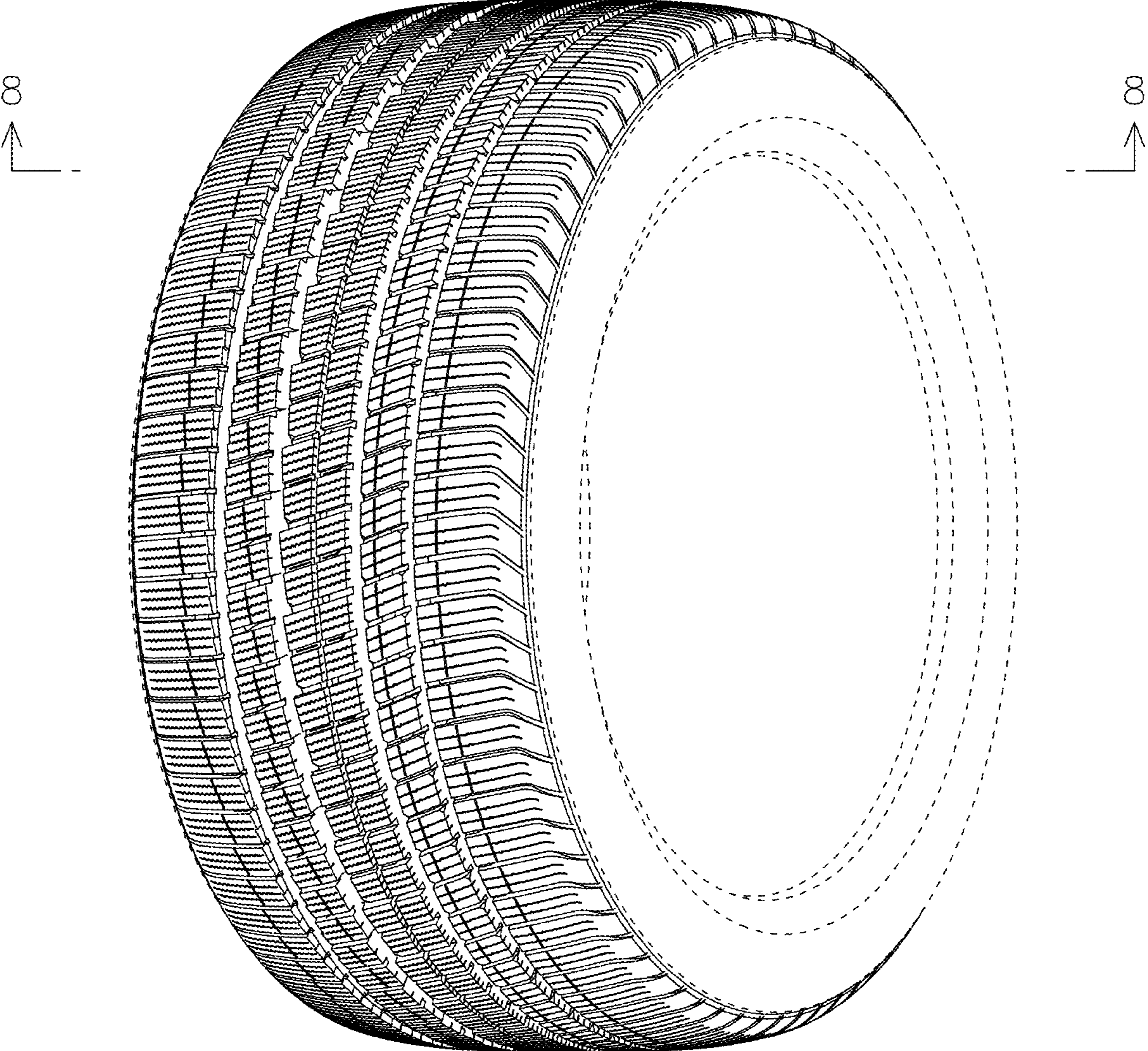


FIG. 1

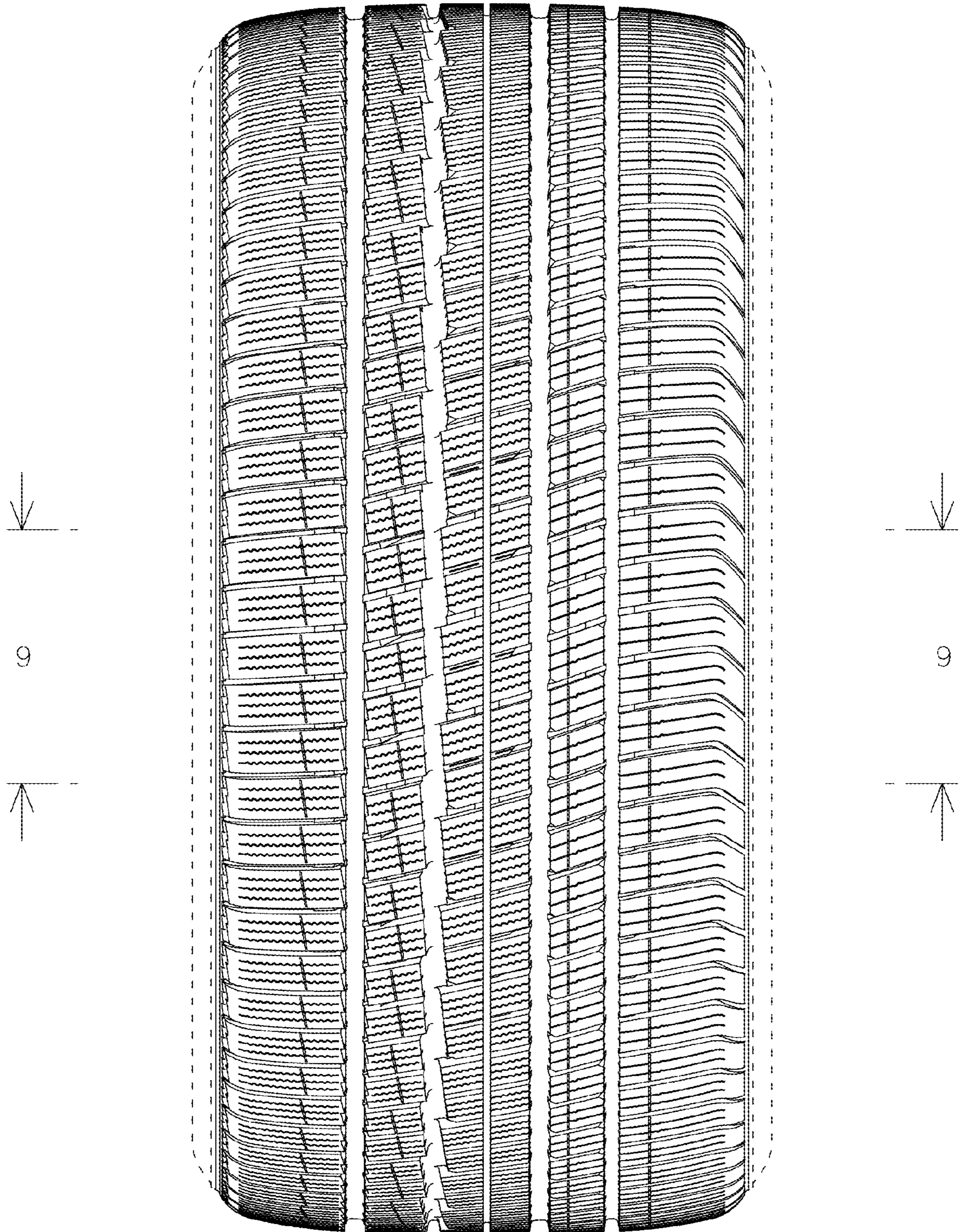


FIG. 2

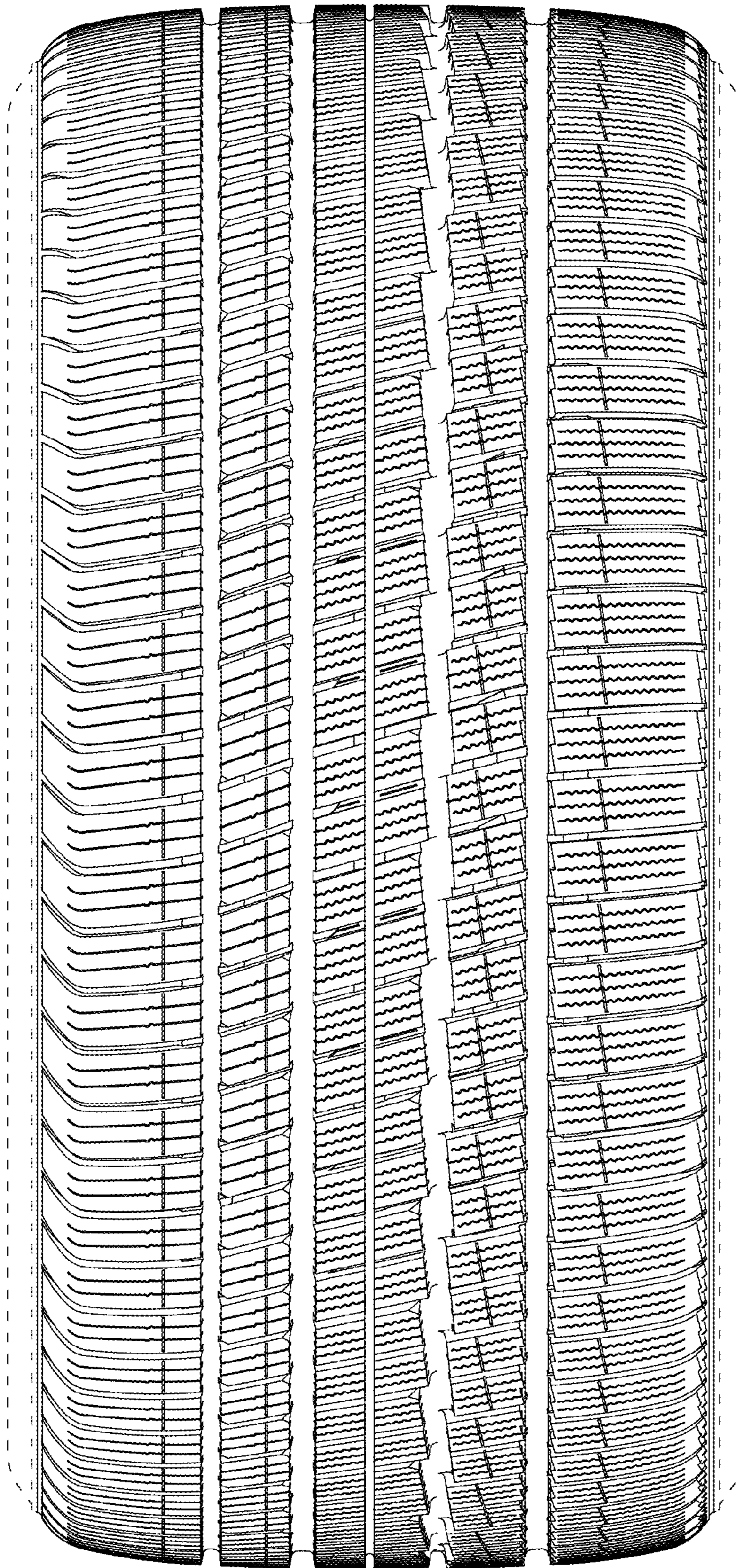


FIG. 3

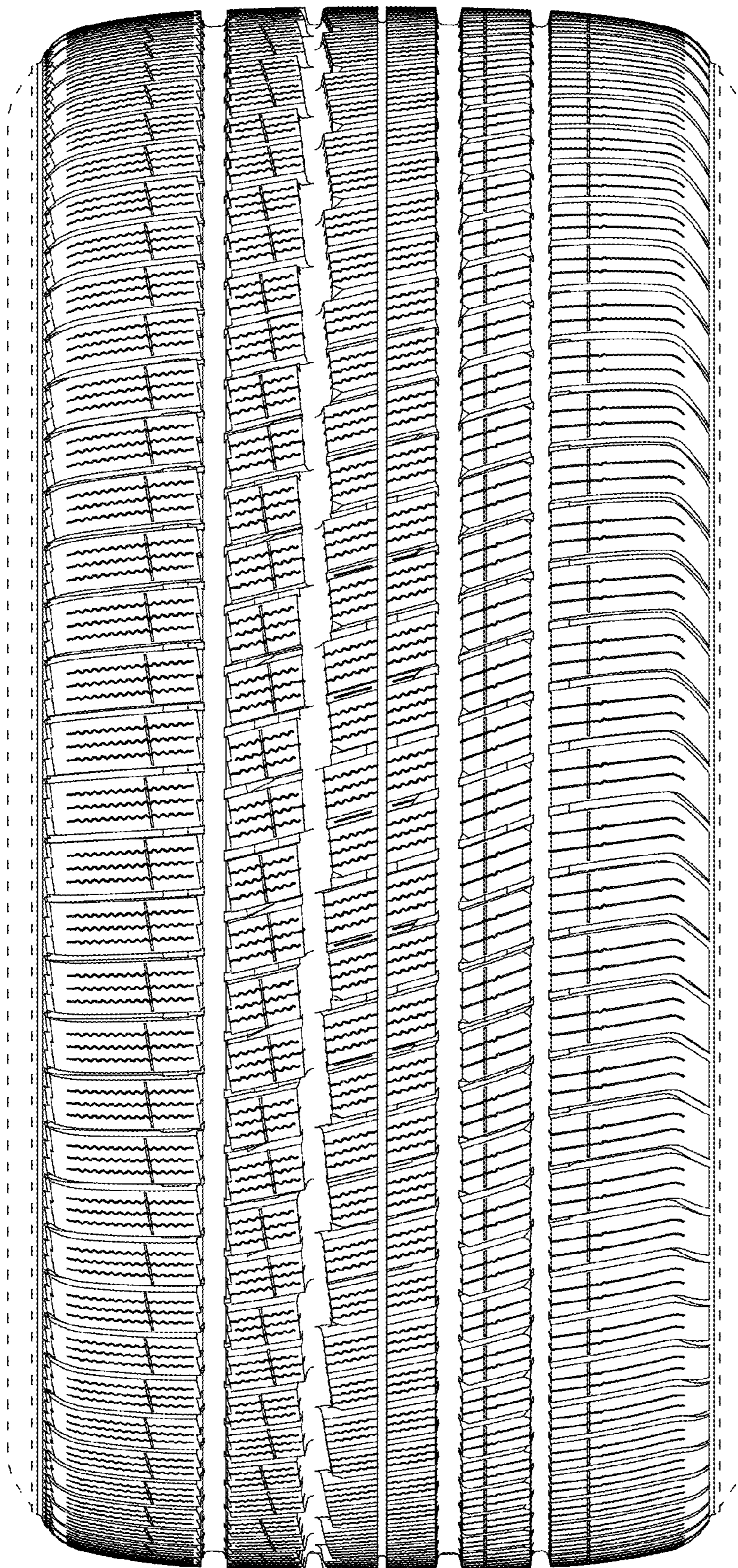


FIG. 4

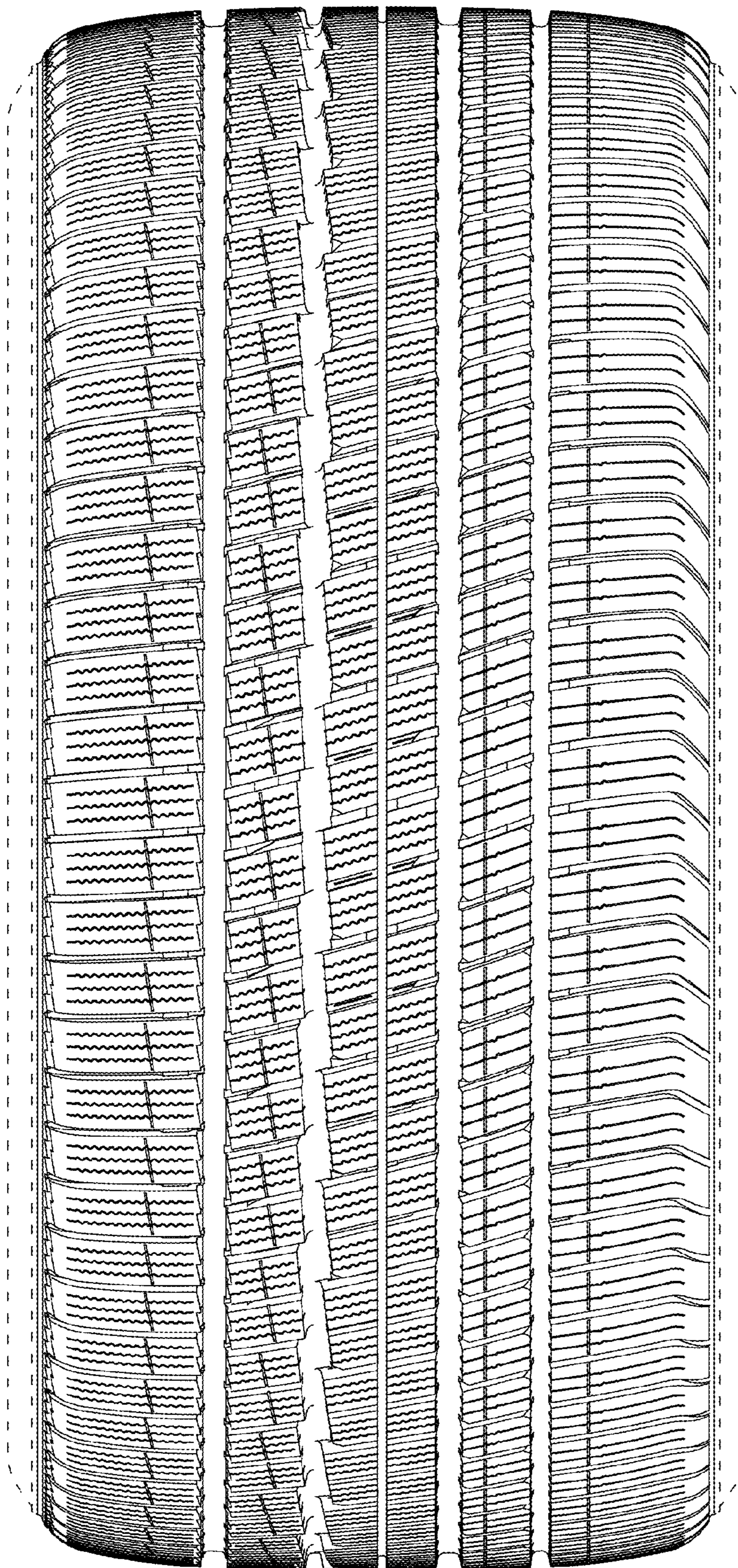


FIG. 5

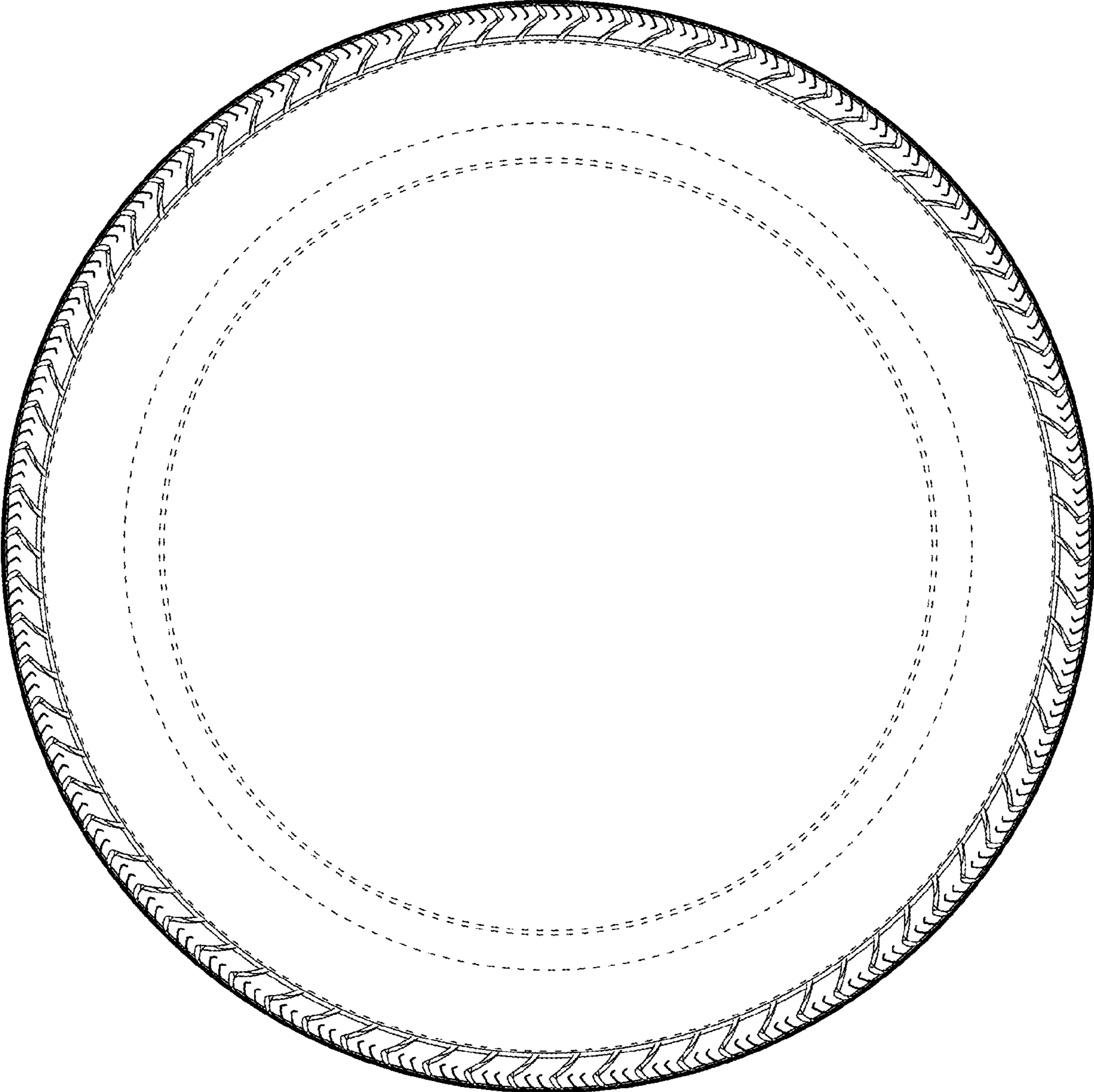


FIG. 6

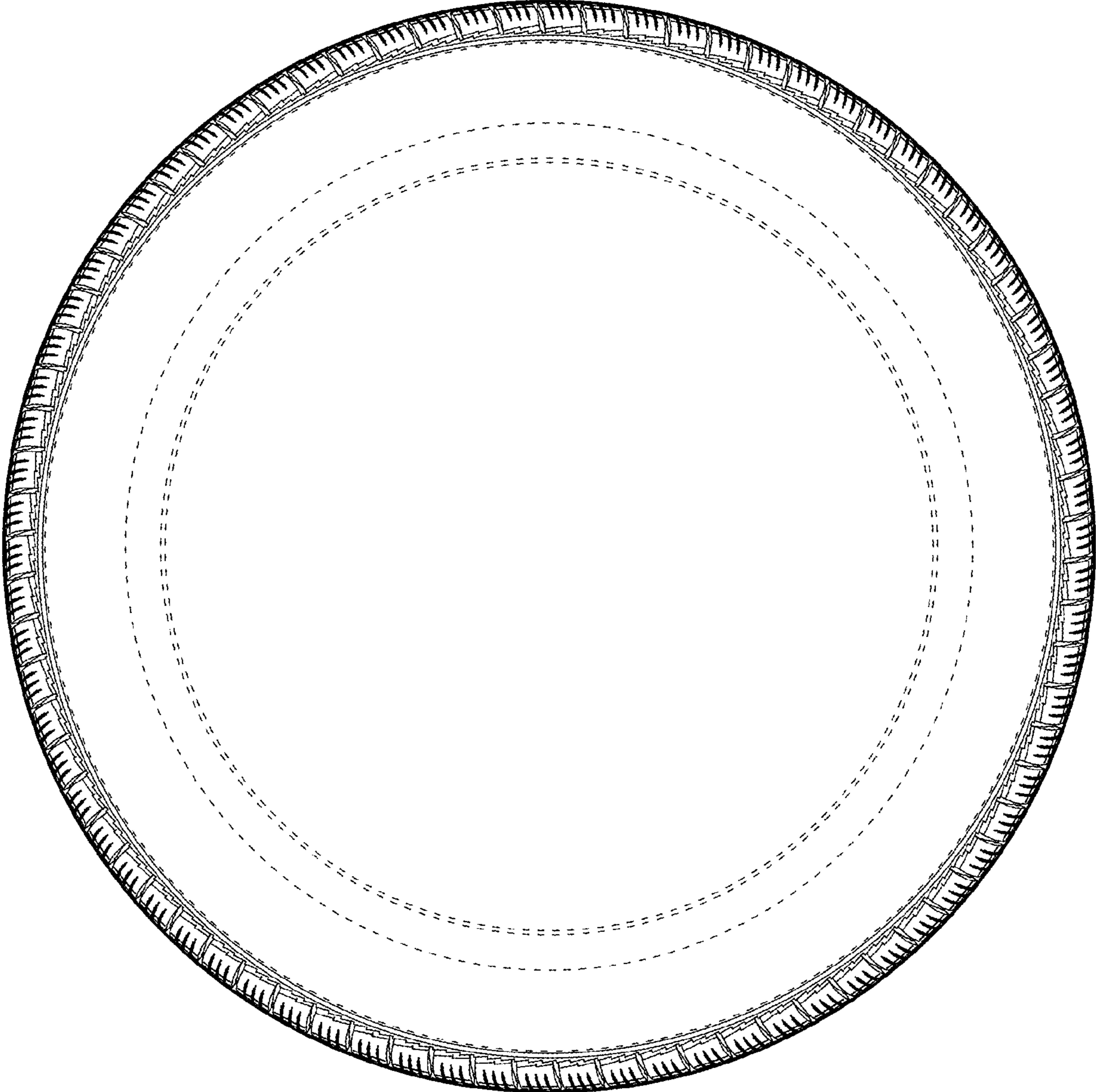


FIG. 7

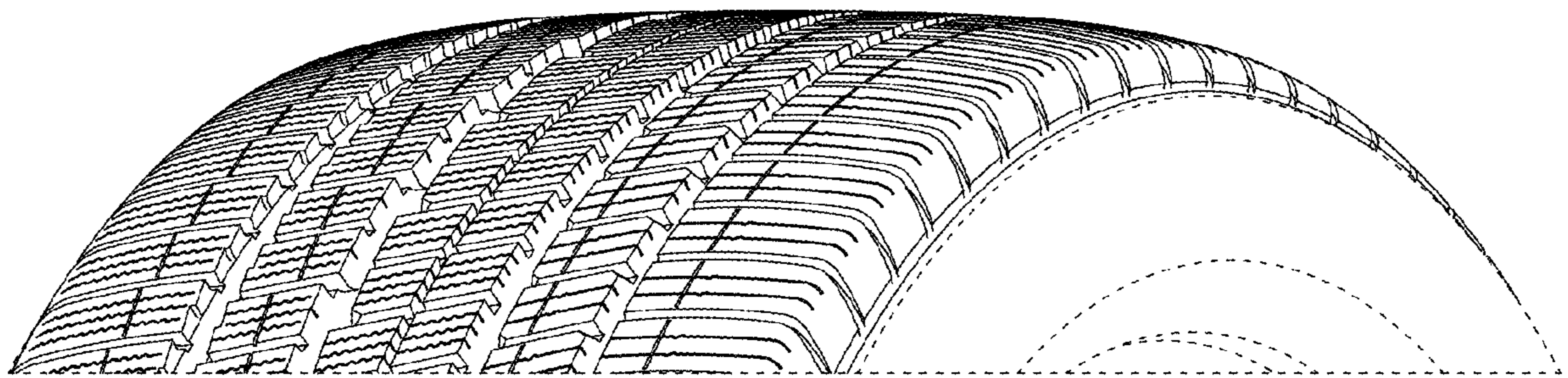


FIG. 8

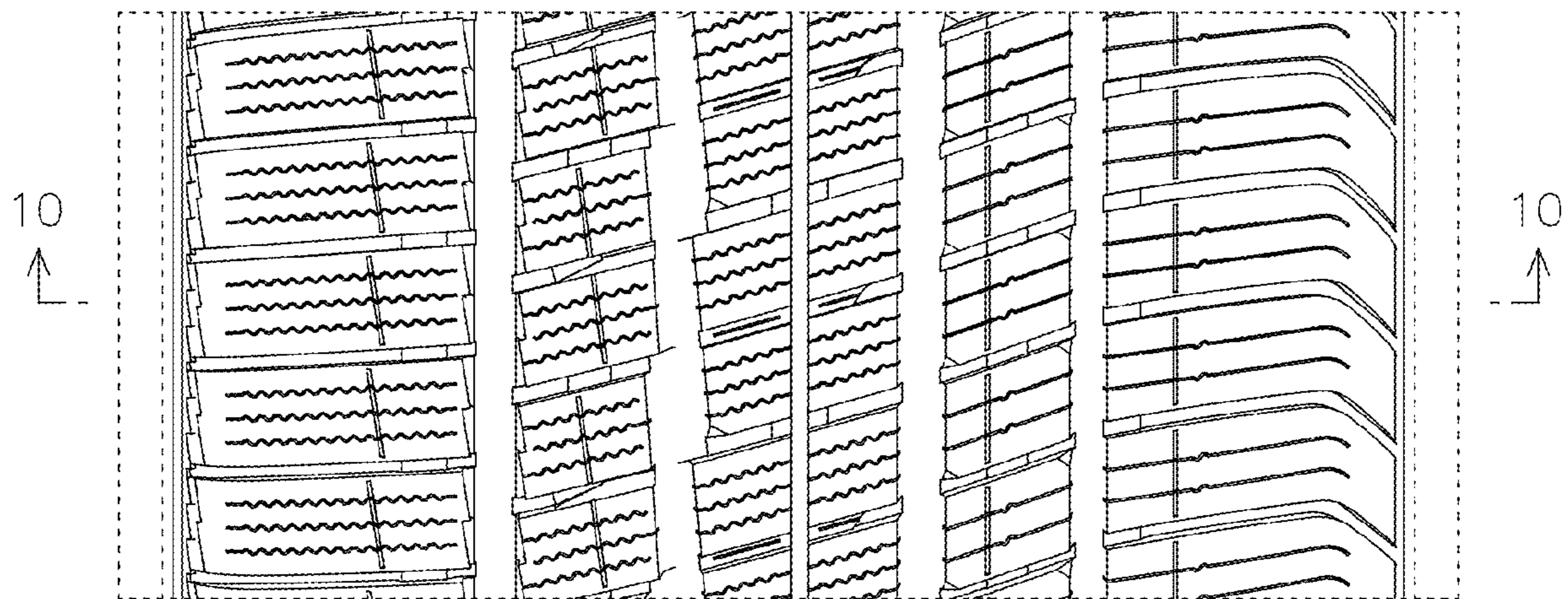


FIG. 9

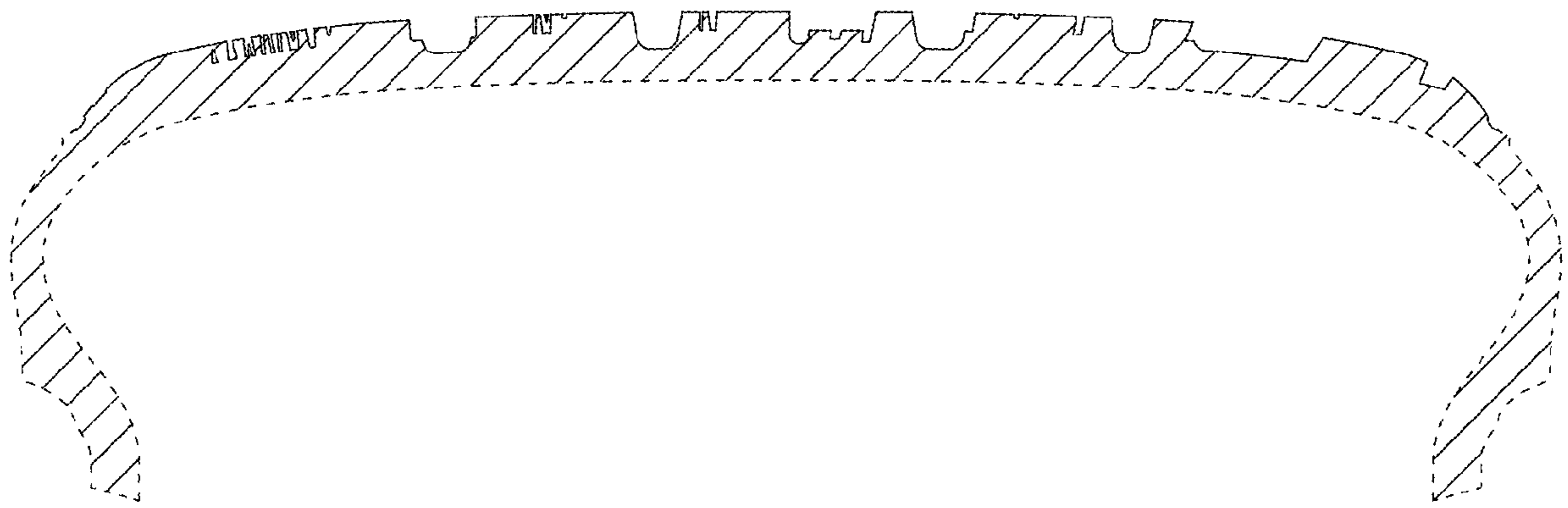


FIG. 10