



US00D980785S

(12) **United States Design Patent**
Zhang

(10) **Patent No.:** **US D980,785 S**
(45) **Date of Patent:** **** Mar. 14, 2023**

(54) **STORAGE BOX FOR VEHICLE**

- (71) Applicant: **Shenzhen Zhudao Vehicle Industry Co., Ltd.**, Shenzhen (CN)
- (72) Inventor: **Feng Zhang**, Ruichang (CN)
- (73) Assignee: **Shenzhen Zhadao Vehicle Industry Co., Ltd.**, Shenzhen (CN)
- (**) Term: **15 Years**

- (21) Appl. No.: **29/837,925**
- (22) Filed: **May 10, 2022**
- (51) **LOC (14) Cl.** **12-16**
- (52) **U.S. Cl.**
USPC **D12/422**
- (58) **Field of Classification Search**
USPC D12/400, 406, 415, 416, 417, 418, 419,
D12/420, 421, 422, 423, 424, 425, 426;
D3/301, 303; D6/513, 567; D19/90
CPC ... B60J 5/04; B60R 7/00; B60R 11/00; B65D
85/68
See application file for complete search history.

(56) **References Cited**

U.S. PATENT DOCUMENTS

D153,348 S	*	4/1949	Gainsbro	D12/423
D190,055 S	*	4/1961	Perkins	D12/423
D215,632 S	*	10/1969	Majewski	D12/423
D318,949 S	*	8/1991	Mawhinney	D12/422
D597,019 S		7/2009	Zarza		
D899,333 S	*	10/2020	Shedlarski	D12/195
D916,637 S	*	4/2021	Tian	D12/195
D957,310 S	*	7/2022	Lin	D12/425
D959,355 S	*	8/2022	Li	D12/422
D960,074 S	*	8/2022	Pan	D12/422
D967,749 S	*	10/2022	Tian	D12/422

OTHER PUBLICATIONS

BESTAOO, Published Apr. 26, 2022 [online], [retrieved on Sep. 6, 2022], Retrieved from the Internet: <https://www.amazon.com/BESTAOO-Storage-Pockets-Accessories-Organizer/dp/B09YSVFCPX> (Year: 2022).*

* cited by examiner

Primary Examiner — Cary M Robinson
Assistant Examiner — Adam C Mager

(57) **CLAIM**

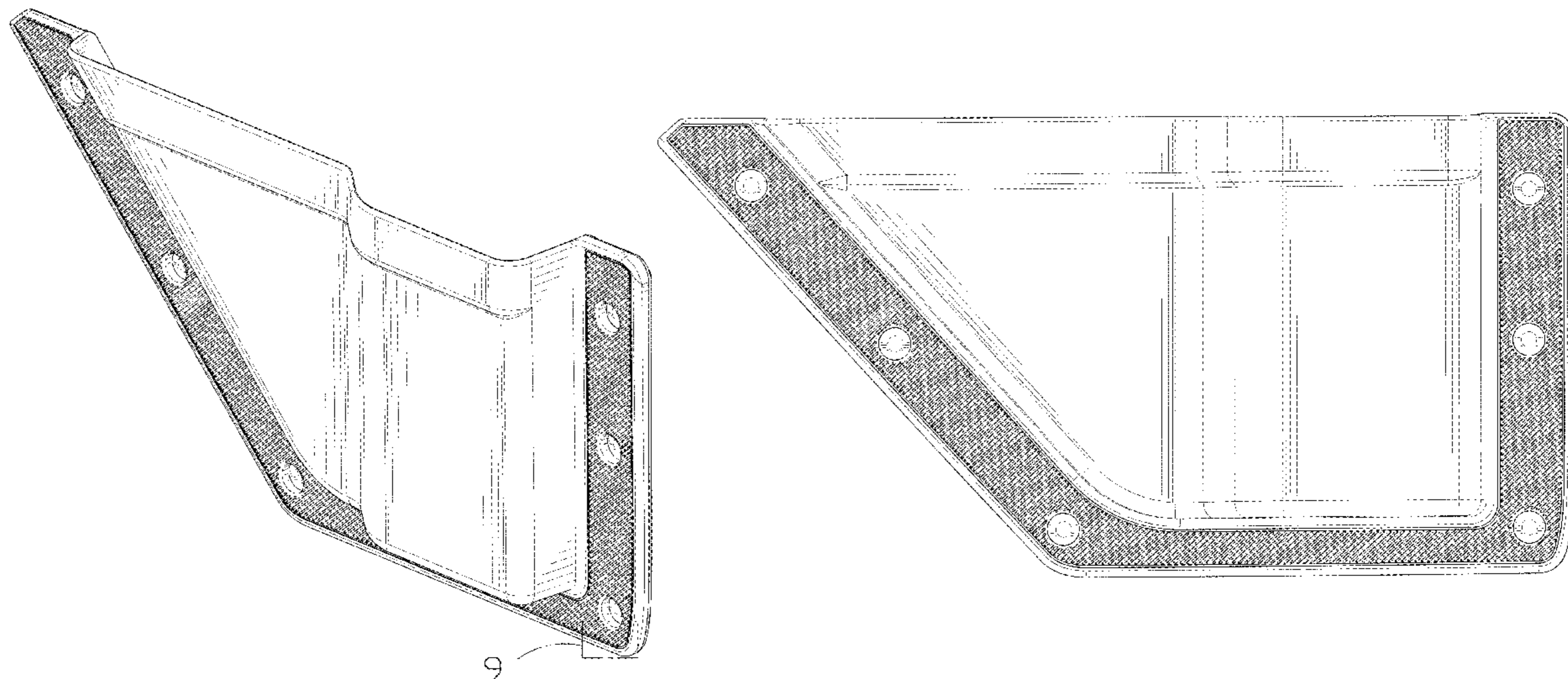
The ornamental design for a storage box for vehicle, as shown and described.

DESCRIPTION

FIG. 1 is a front and top perspective view of a storage box for vehicle, showing my new design;
 FIG. 2 is rear and bottom perspective view thereof;
 FIG. 3 is a front elevation view thereof;
 FIG. 4 is a rear elevation view thereof;
 FIG. 5 is a left side elevation view thereof;
 FIG. 6 is a right side elevation view thereof;
 FIG. 7 is a top plan view thereof;
 FIG. 8 is a bottom plan view thereof;
 FIG. 9 is an enlarged view of a portion indicated with numeric 9 in FIG. 1; and,
 FIG. 10 is an exploded view thereof.

The broken lines in the figures illustrate portions of the storage box for vehicle that form no part of the claimed design. The dash dot dash lines in FIGS. 1 and 9 are for the purpose of depicting the boundary lines of the enlarged view and form no part of the claimed design.

1 Claim, 10 Drawing Sheets



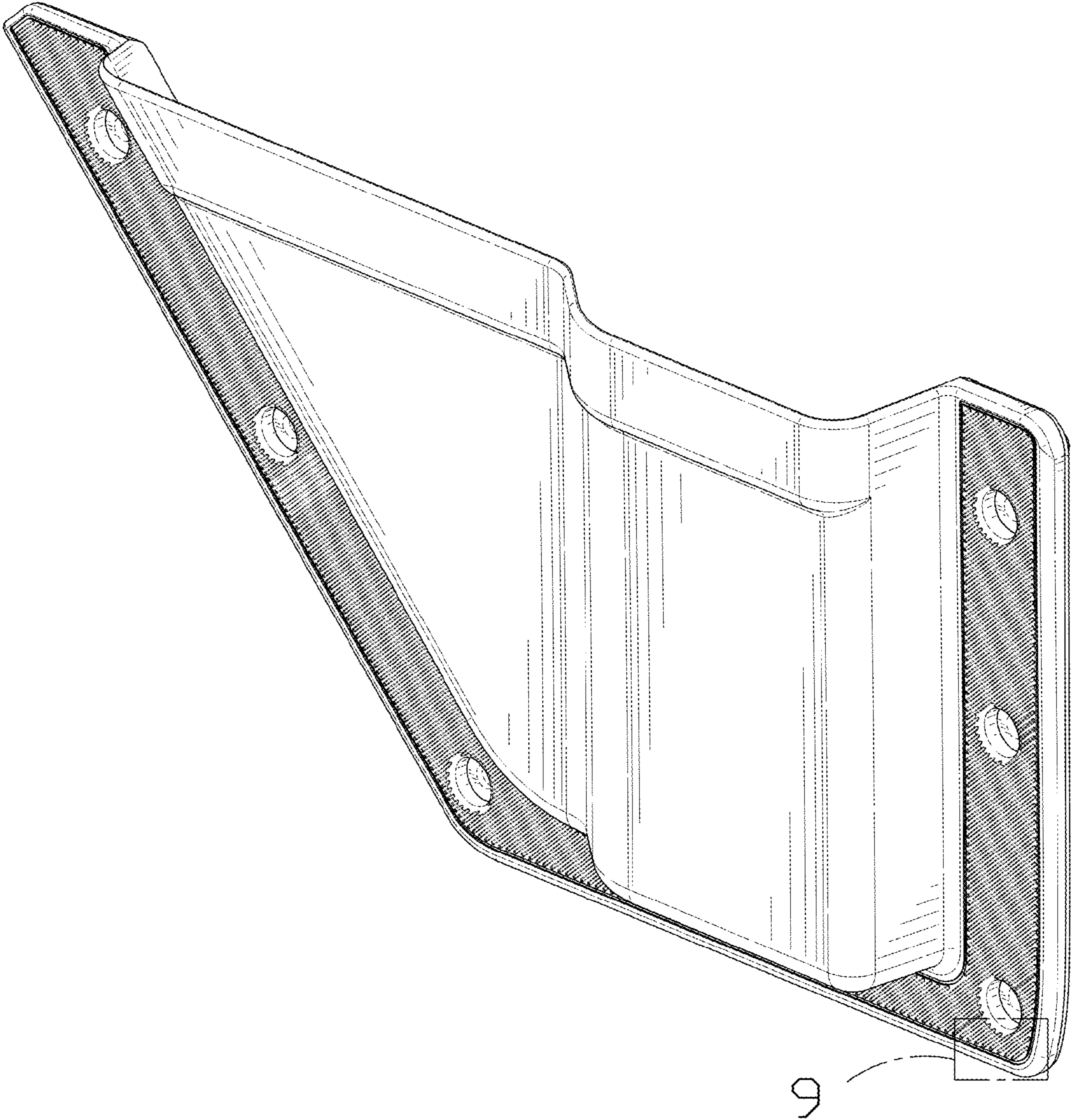


FIG. 1

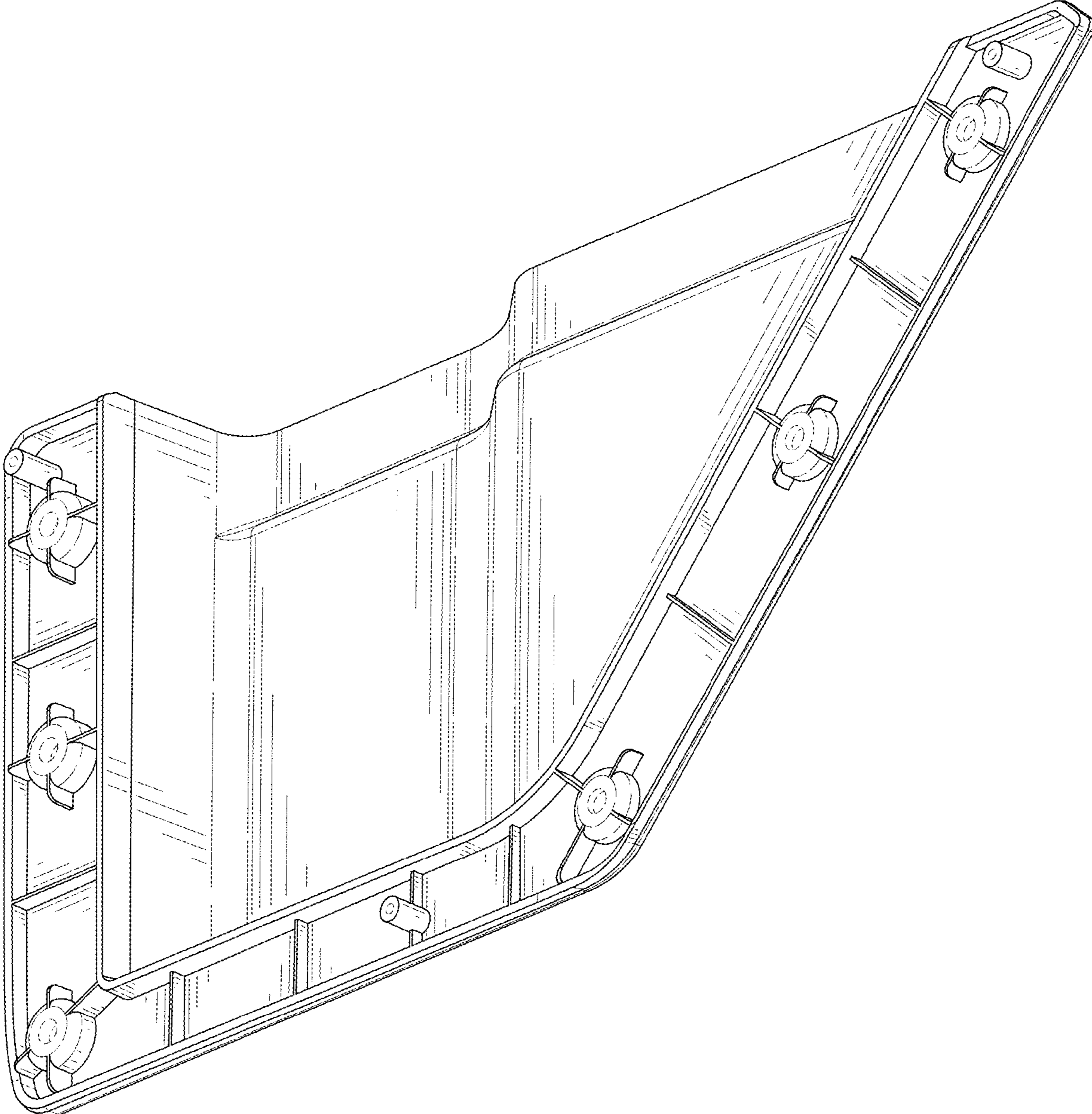


FIG. 2

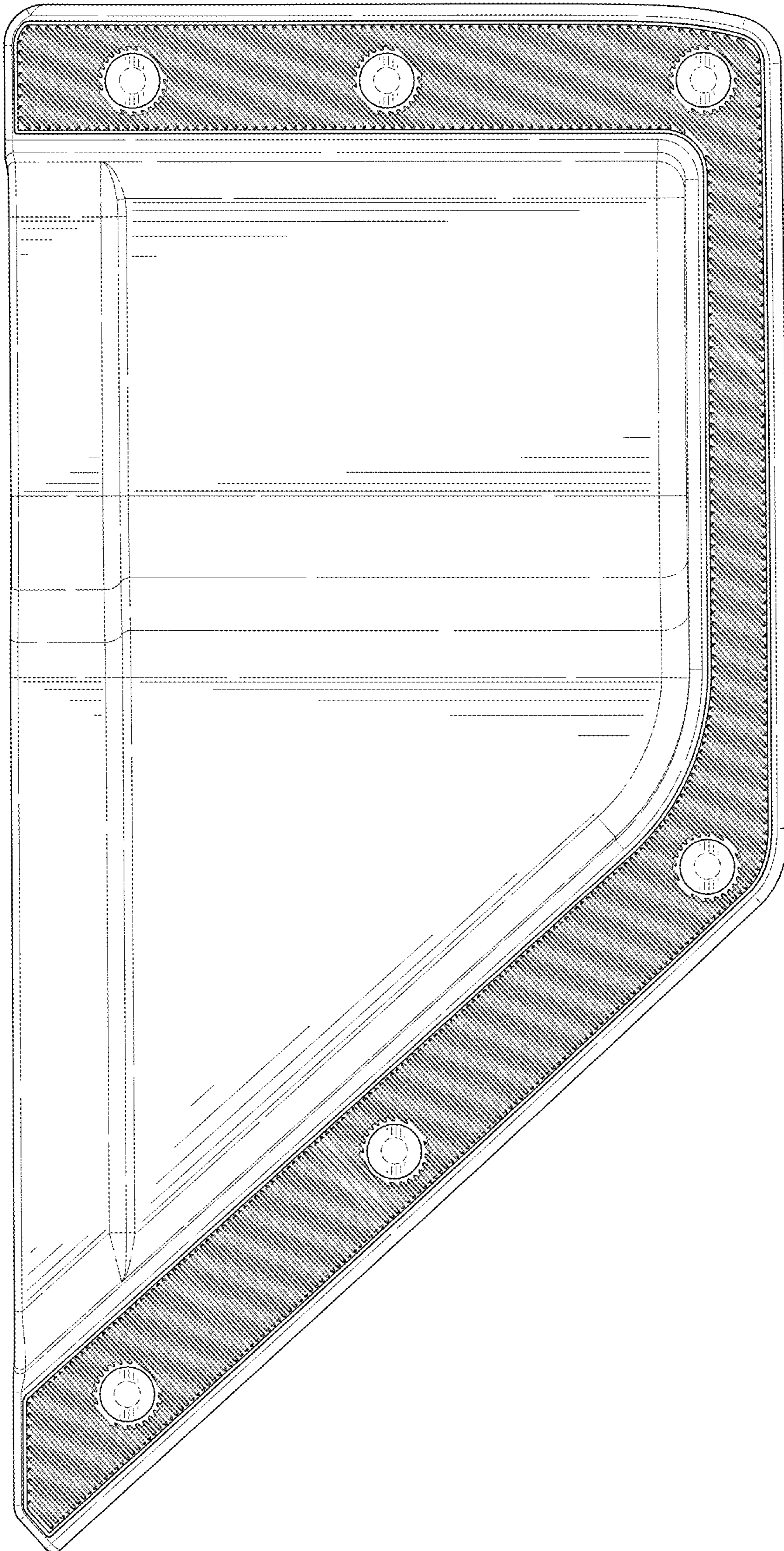


FIG. 3

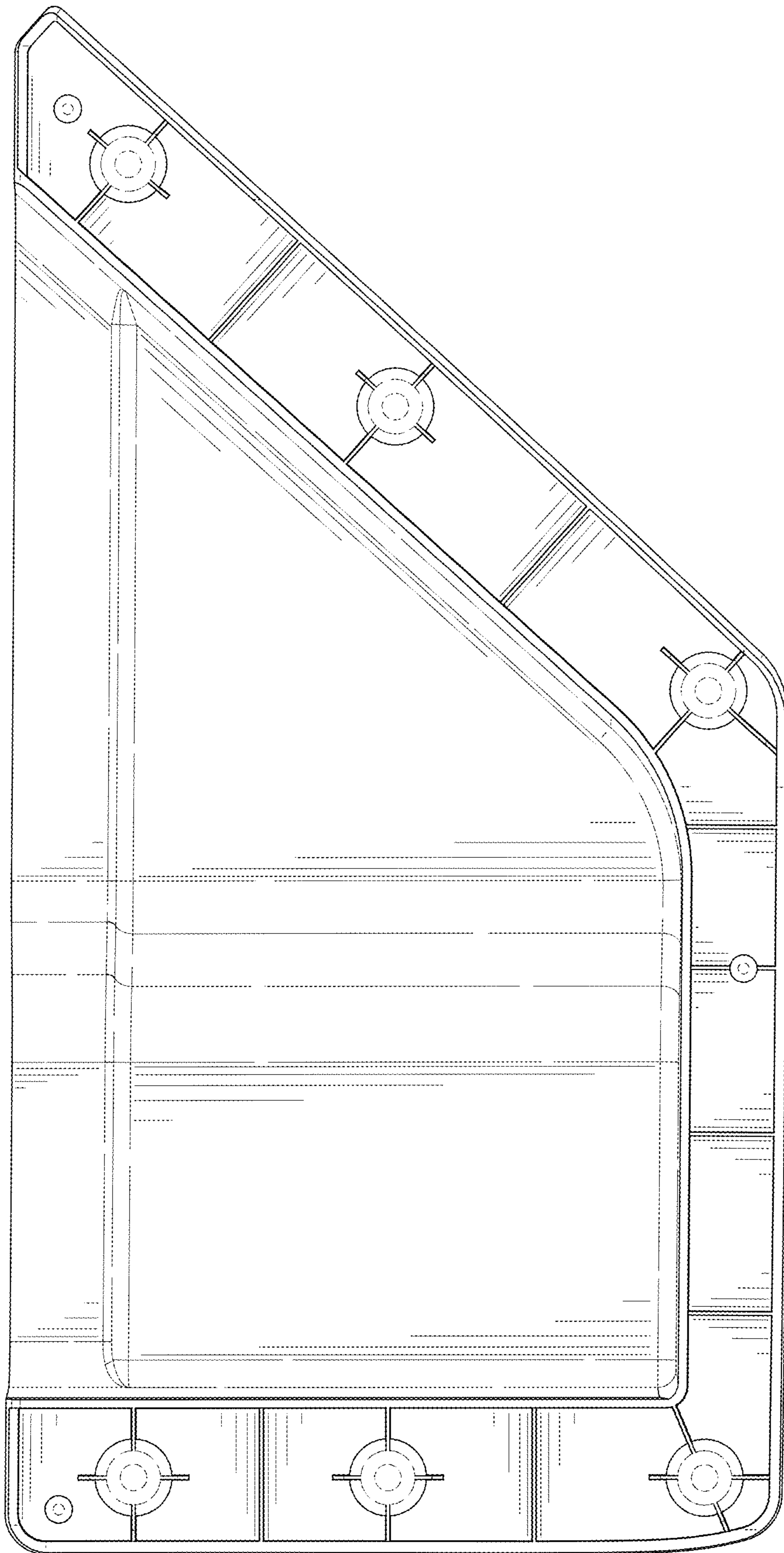


FIG. 4

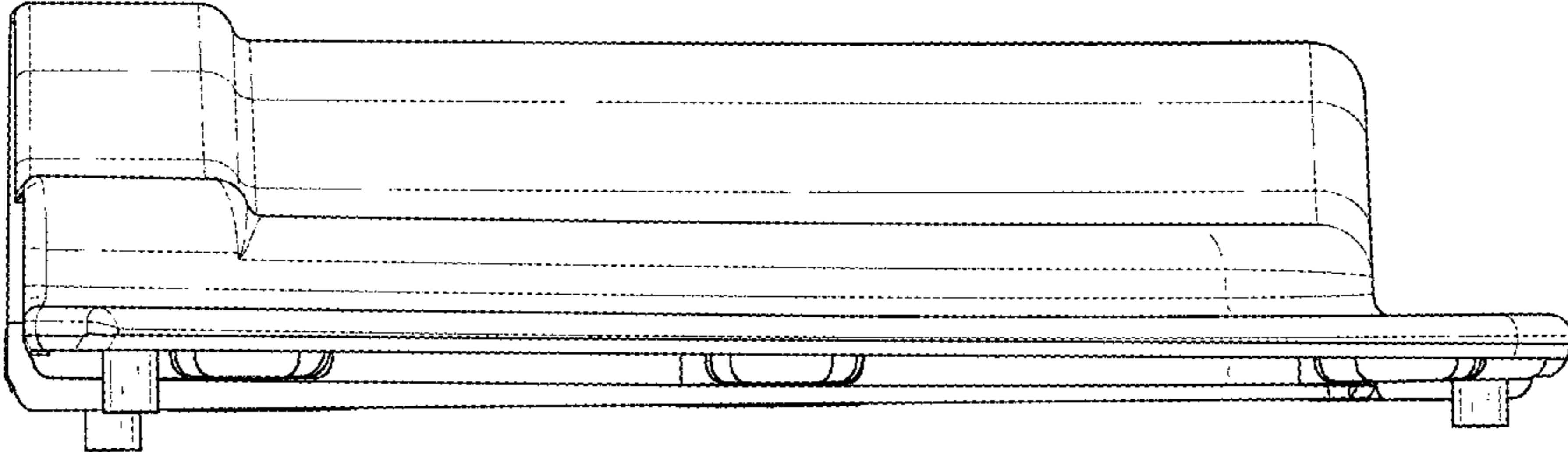


FIG. 5

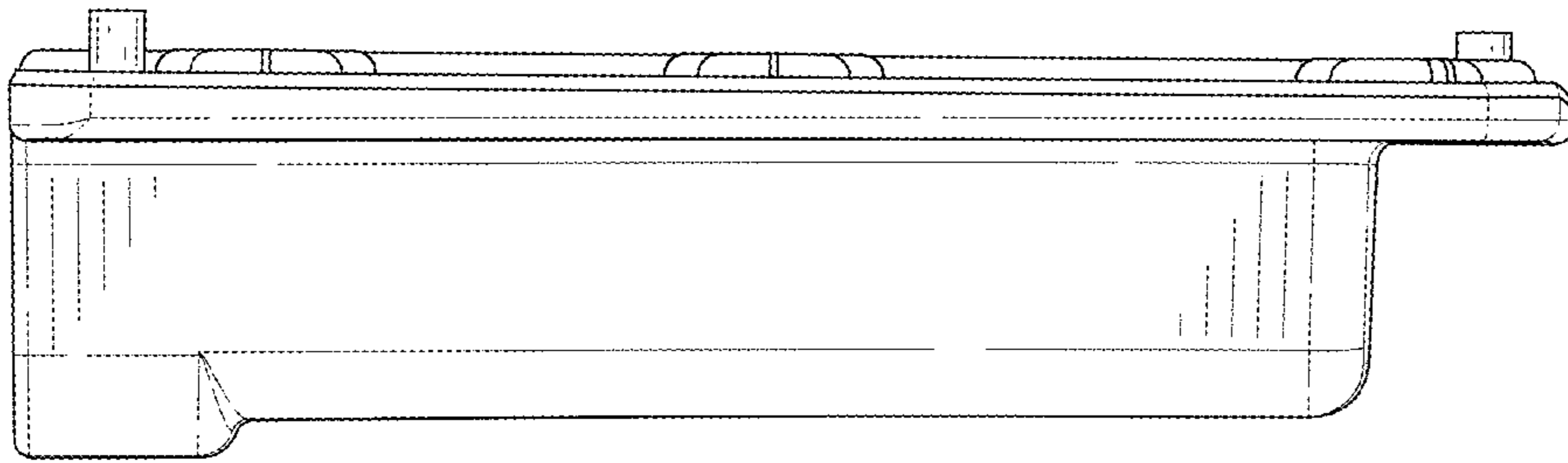


FIG. 6

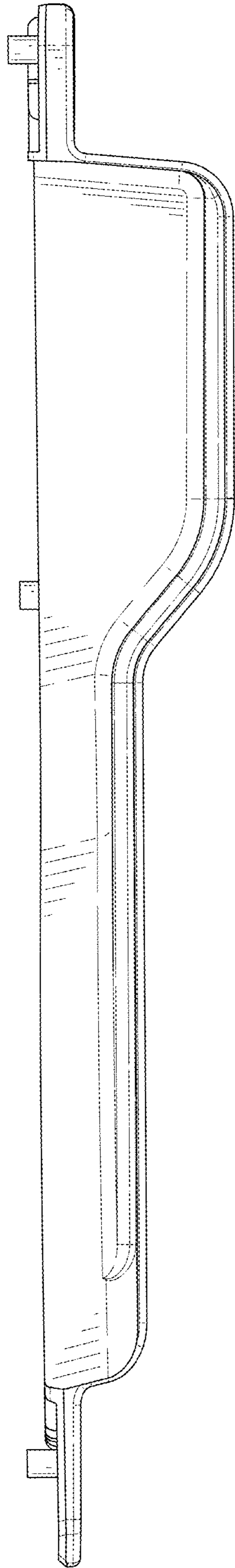


FIG. 7

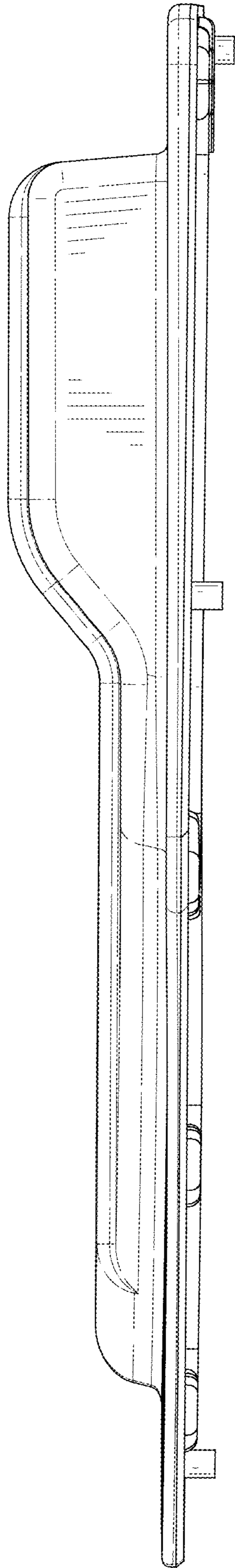


FIG. 8

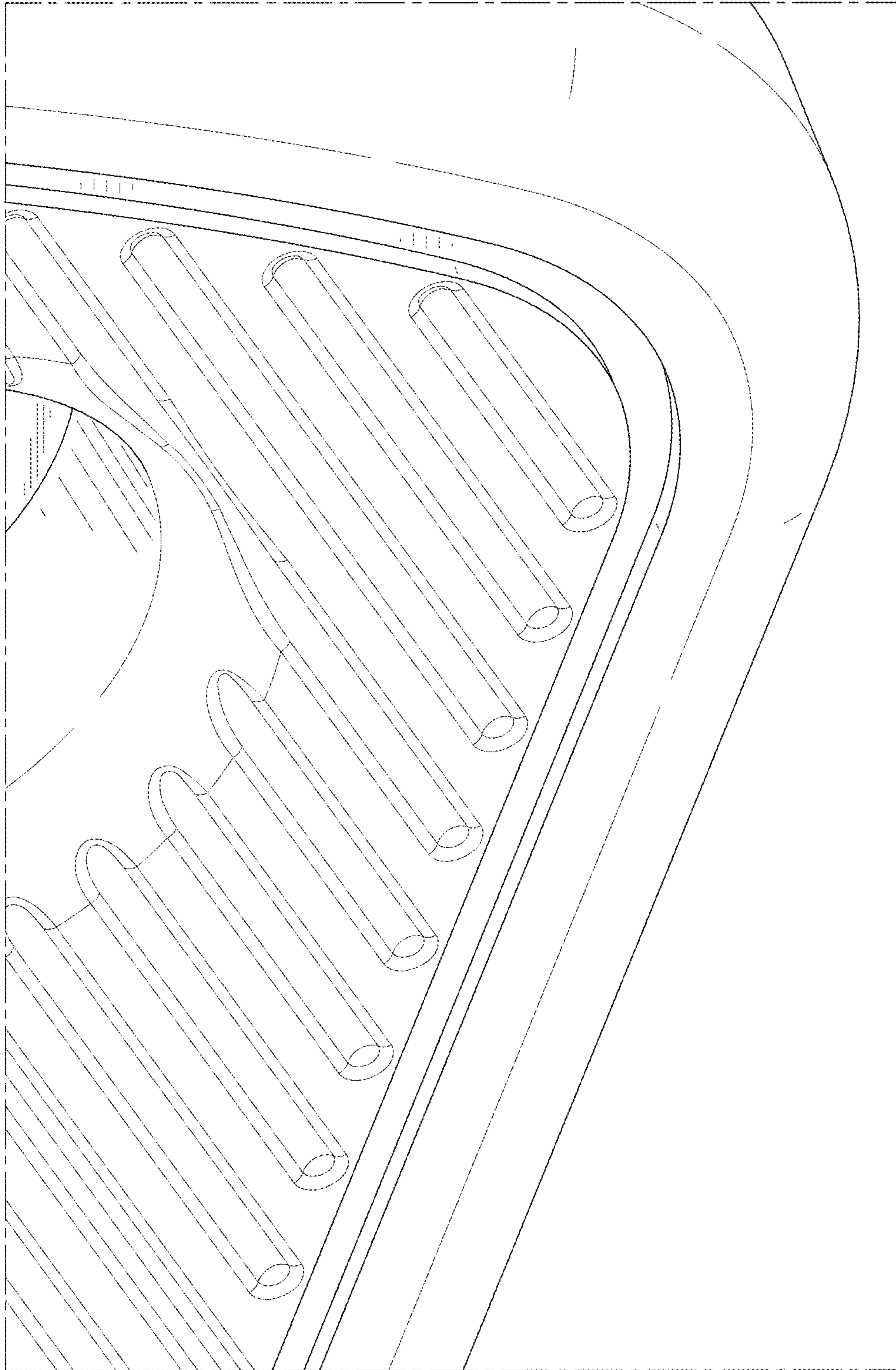


FIG. 9

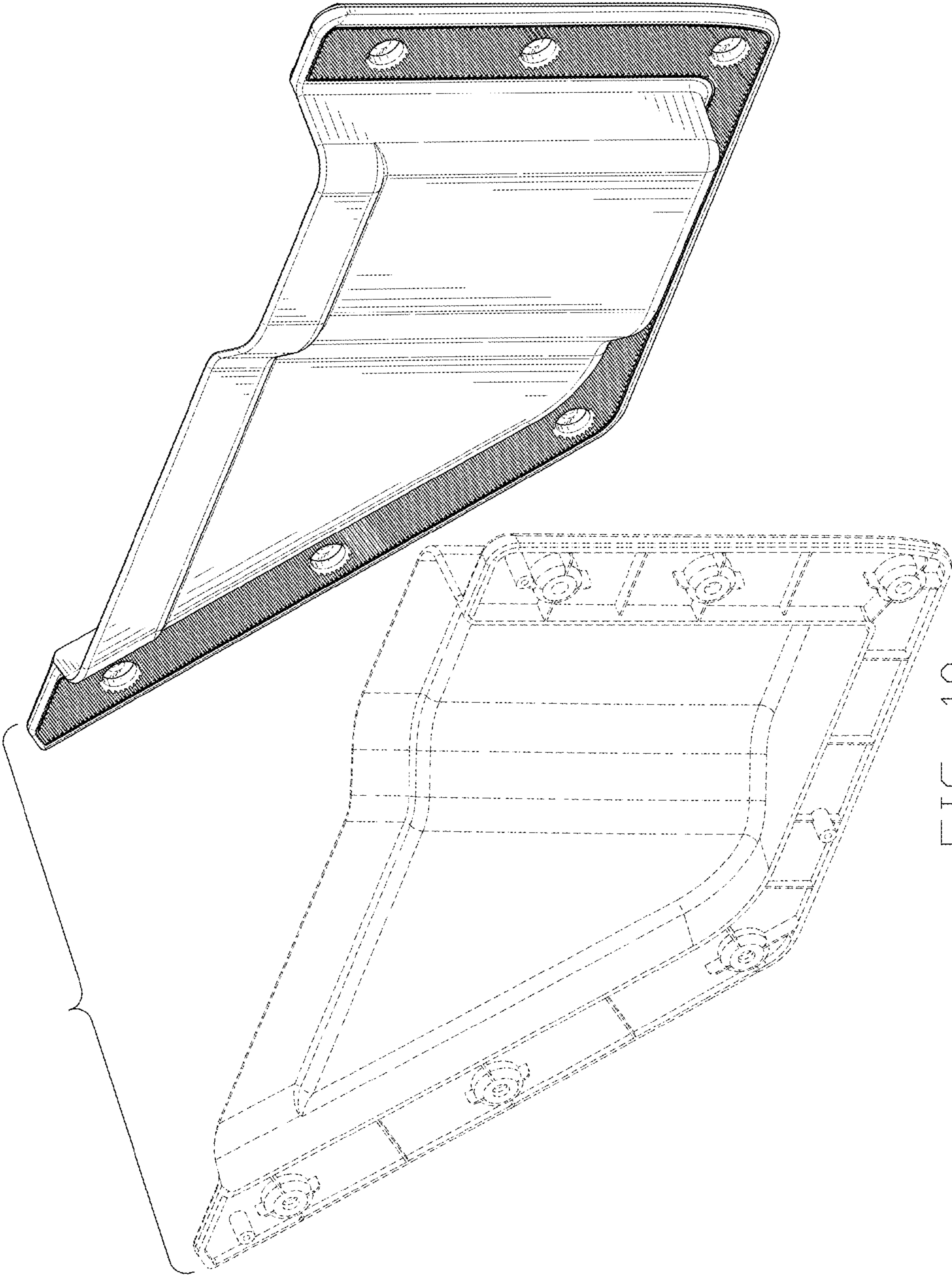


FIG. 10