



US00D980784S

(12) **United States Design Patent**
Hanstock

(10) **Patent No.:** **US D980,784 S**

(45) **Date of Patent:** **** Mar. 14, 2023**

- (54) **VEHICLE ARM REST**
- (71) Applicant: **Jaguar Land Rover Limited**, Whitley
Coventry (GB)
- (72) Inventor: **Paul Hanstock**, Whitley Coventry (GB)
- (73) Assignee: **Jaguar Land Rover Limited**, Whitley
Coventry (GB)
- (**) Term: **15 Years**
- (21) Appl. No.: **29/786,576**
- (22) Filed: **Jun. 1, 2021**

(30) **Foreign Application Priority Data**

Dec. 3, 2020 (EM) 008308522-0005

- (51) **LOC (14) Cl.** **12-16**
- (52) **U.S. Cl.**
USPC **D12/421**

- (58) **Field of Classification Search**
USPC D12/179, 415, 416, 419, 421; D6/336,
D6/384; D7/620
CPC .. B60Q 3/225; B60R 3/02; B60R 7/04; B60N
3/10

See application file for complete search history.

(56) **References Cited**

U.S. PATENT DOCUMENTS

- D313,962 S * 1/1991 Haag D12/423
- D804,393 S * 12/2017 Yoo D12/415

- D877,691 S * 3/2020 Mistiuk B60R 7/04
D12/415
- 2008/0079279 A1* 4/2008 Spykerman B60R 7/04
296/24.34
- 2021/0086699 A1* 3/2021 Chen B60R 7/04

OTHER PUBLICATIONS

Ebay, 2005-2009 Ford Mustang Floor center console, published Aug. 18, 2022 [retrieved Oct. 5, 2022]. Retrieved from the internet<<https://www.ebay.com/itm/304602474929?epid=1753448478>> (Year: 2022).*

* cited by examiner

Primary Examiner — Joseph Kukella
Assistant Examiner — Lavon M. Amerson
(74) *Attorney, Agent, or Firm* — Wood Herron & Evans
LLP

(57) **CLAIM**

The ornamental design for a vehicle arm rest, as shown and described.

DESCRIPTION

FIG. 1 is a front left perspective view of a vehicle arm rest according to the present invention.

FIG. 2 is a rear right perspective view of the arm rest shown in FIG. 1.

FIG. 3 is a front view thereof.

FIG. 4 is a rear view thereof.

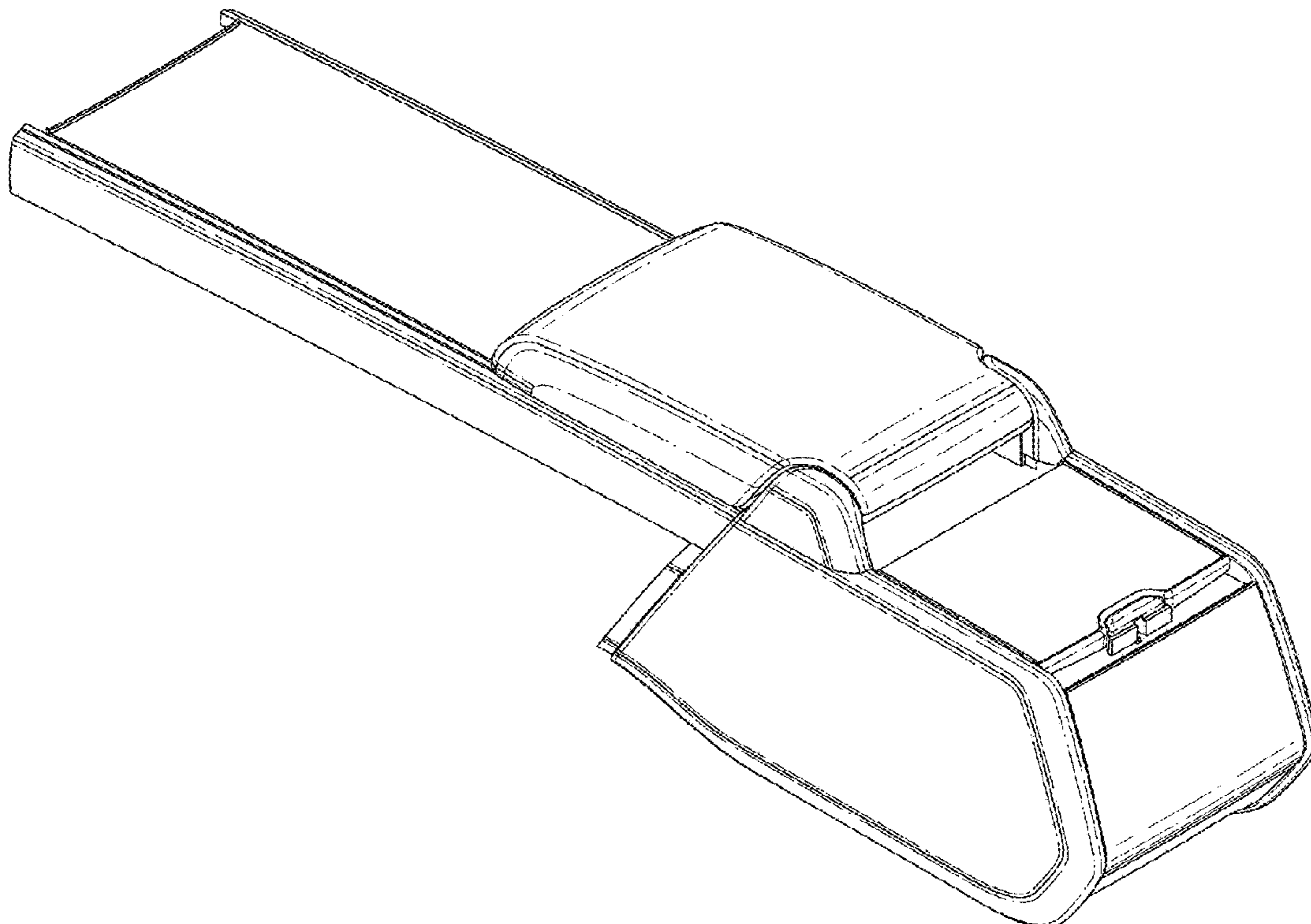
FIG. 5 is a left side view thereof.

FIG. 6 is a right side view thereof.

FIG. 7 is a top view thereof; and,

FIG. 8 is a bottom view thereof.

1 Claim, 7 Drawing Sheets



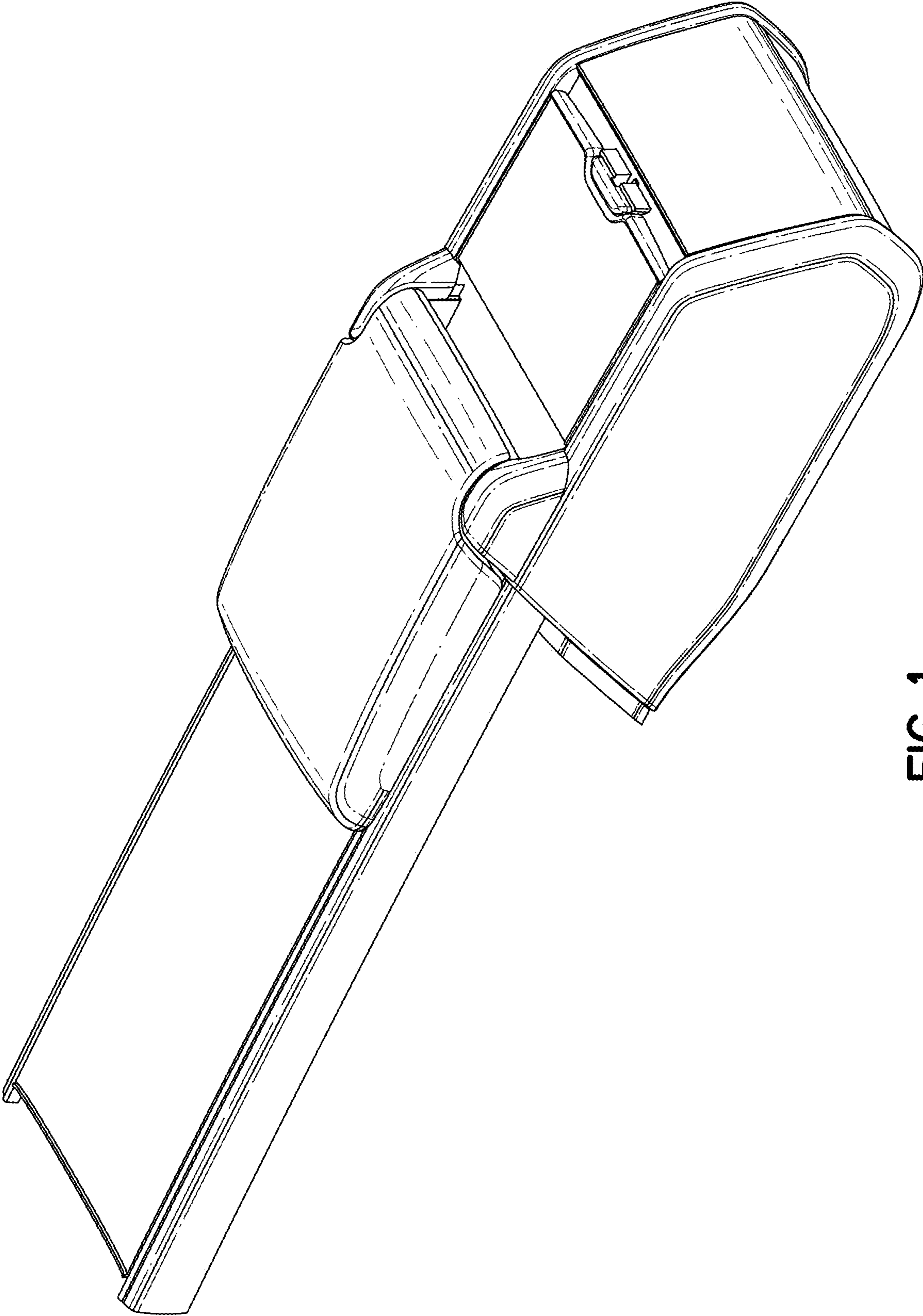


FIG. 1

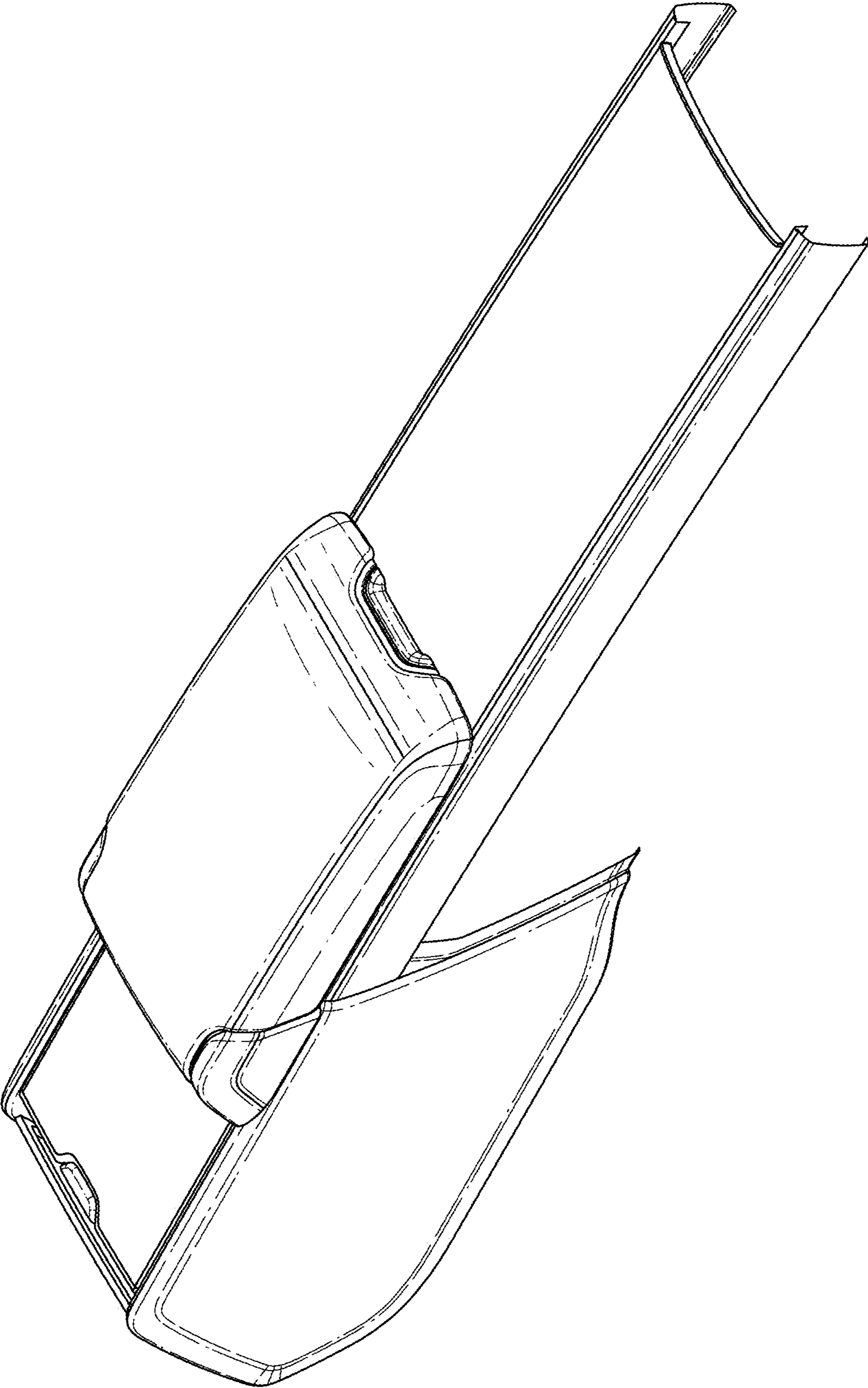


FIG. 2

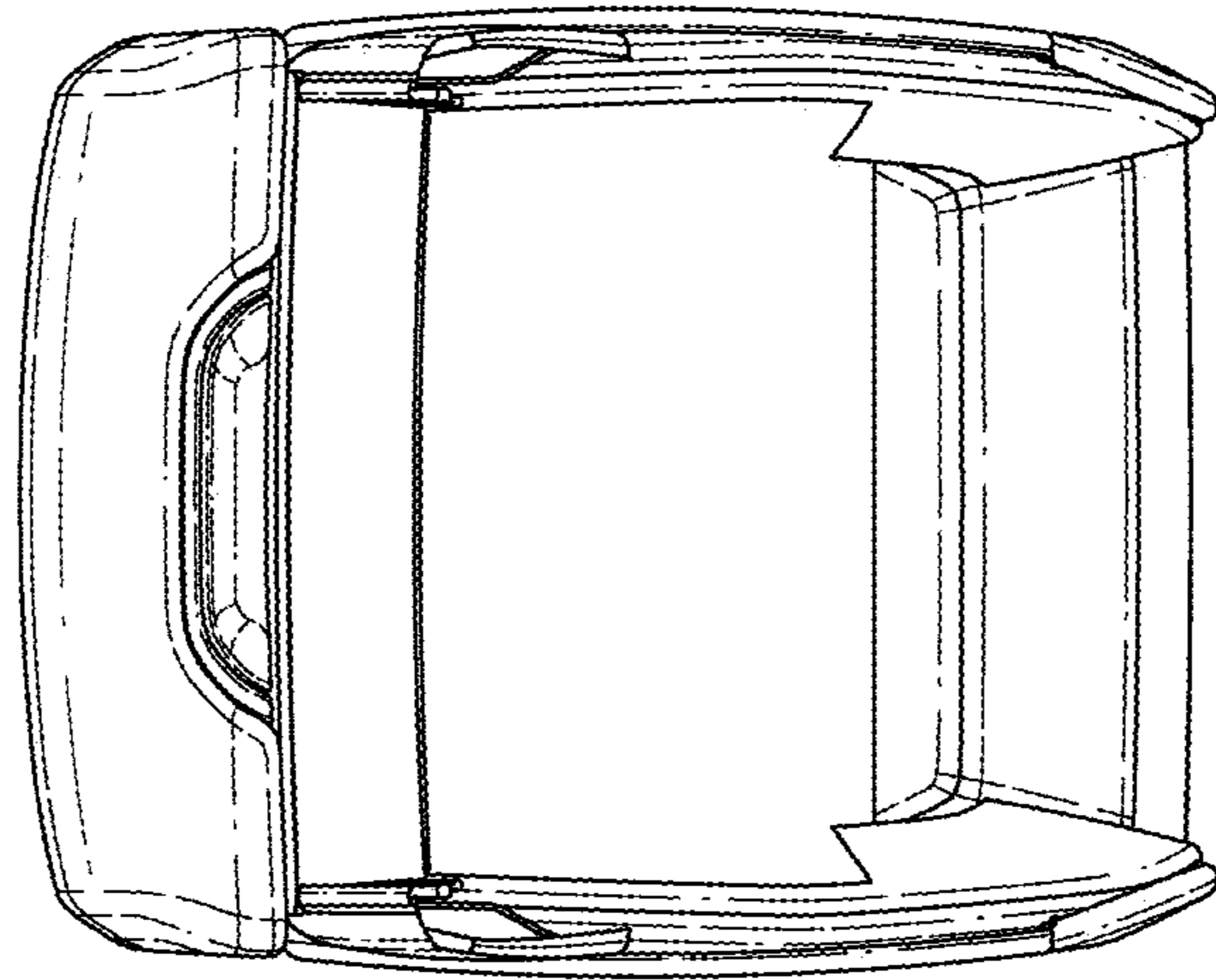


FIG. 4

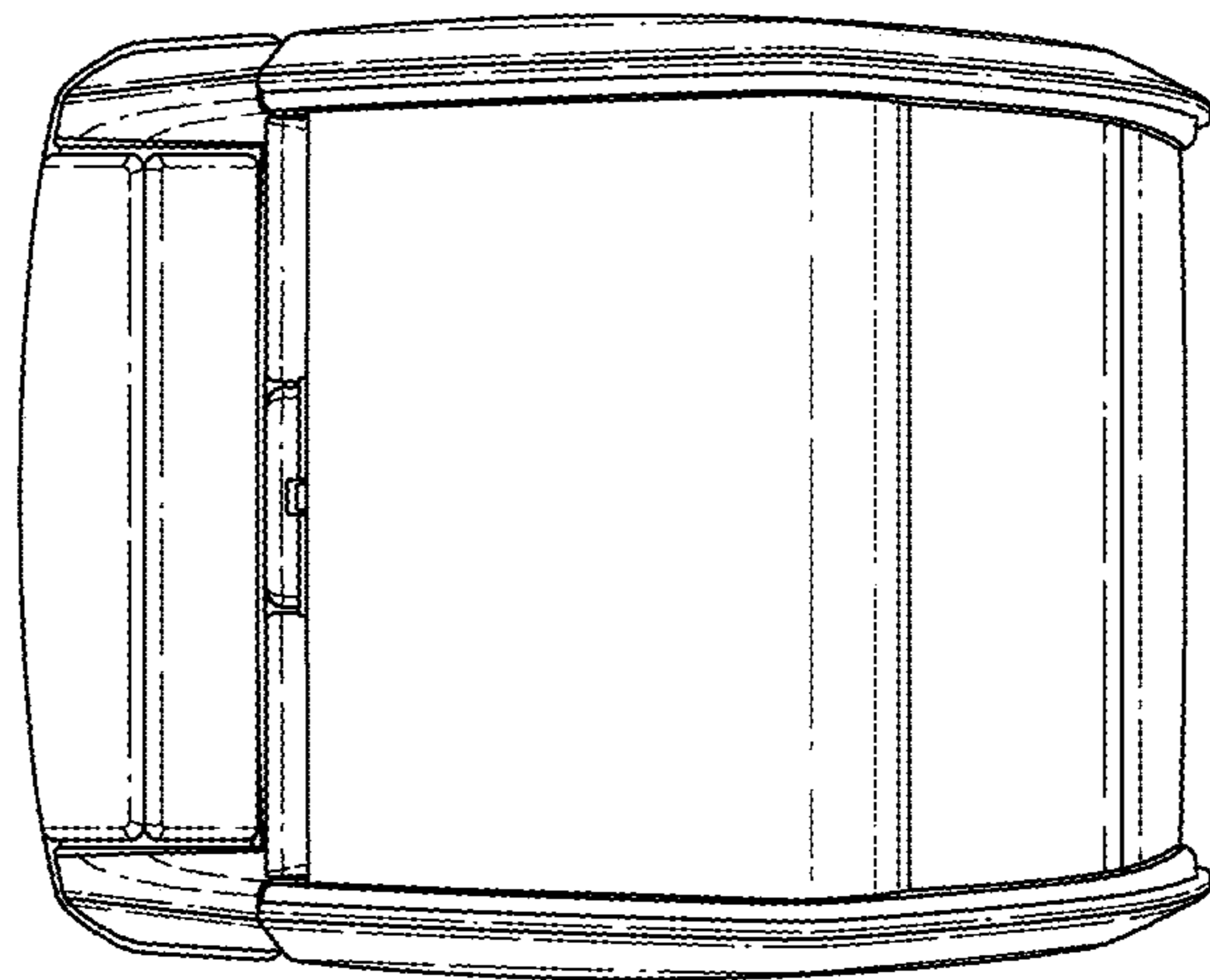


FIG. 3

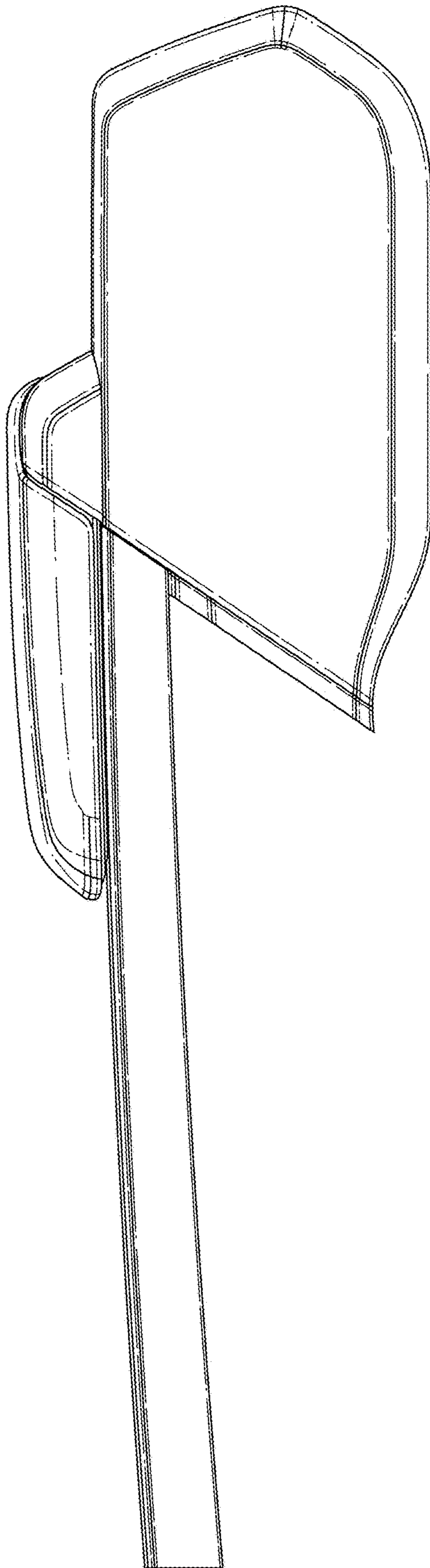


FIG. 5

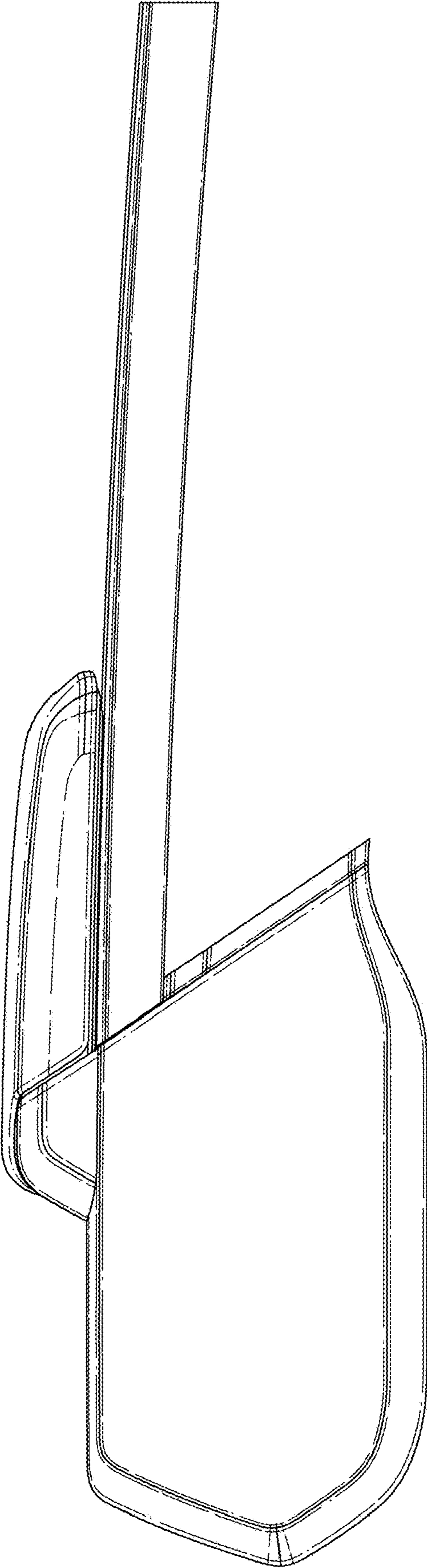


FIG. 6

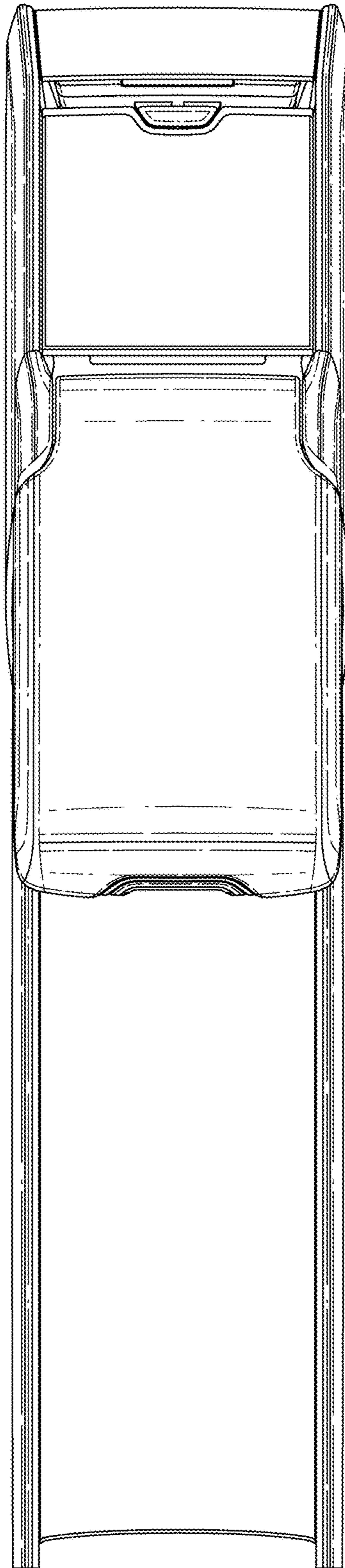


FIG. 7

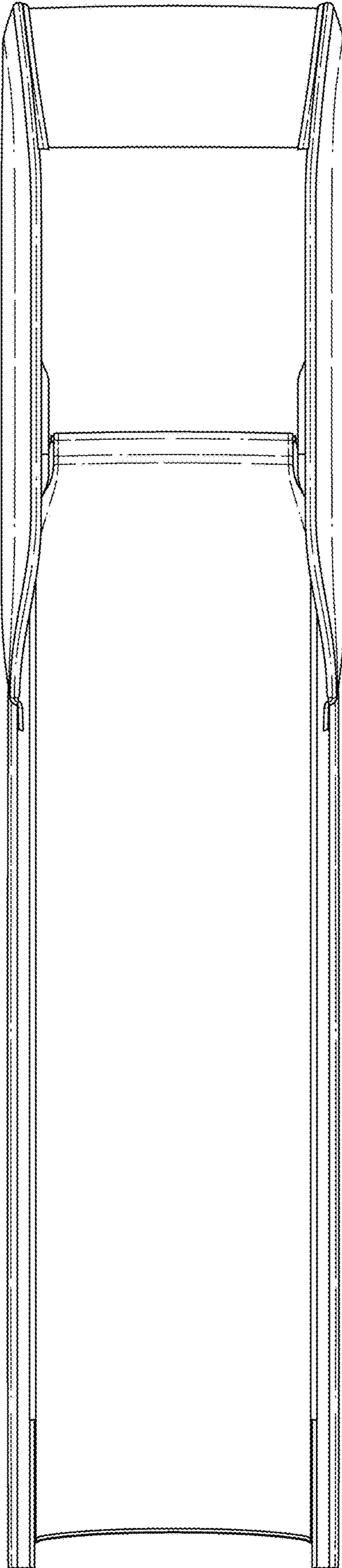


FIG. 8