



US00D980783S

(12) **United States Design Patent**
Yao

(10) **Patent No.:** **US D980,783 S**

(45) **Date of Patent:** **** Mar. 14, 2023**

(54) **CAR TOP CARRIER BAG**

Primary Examiner — Katrina A Betton

(71) Applicant: **Hanzhou Ranxing Creative Technology Co., Ltd**, Hangzhou (CN)

(57) **CLAIM**

(72) Inventor: **Jianyong Yao**, Hangzhou (CN)

The ornamental design for a car top carrier bag, as shown and described.

(**) Term: **15 Years**

DESCRIPTION

(21) Appl. No.: **29/851,107**

(22) Filed: **Aug. 25, 2022**

(51) **LOC (14) Cl.** **12-16**

(52) **U.S. Cl.**
USPC **D12/413**

(58) **Field of Classification Search**
USPC D12/413, 414, 406, 412, 414.4, 345
CPC B60R 9/052; B60R 9/055; B60R 9/058;
B60R 9/04; B60R 9/00
See application file for complete search history.

FIG. 1 is a front and top perspective view of a first embodiment of a car top carrier bag, showing my new design;

FIG. 2 is a rear and bottom perspective view thereof;

FIG. 3 is a front view thereof;

FIG. 4 is a rear view thereof;

FIG. 5 is a left side view thereof;

FIG. 6 is a right side view thereof;

FIG. 7 is a top view thereof;

FIG. 8 is a bottom view thereof;

FIG. 9 is an enlarged perspective view of detail "9" identified in FIG. 1;

FIG. 10 is a front and top perspective view of a second embodiment of the car top carrier bag;

FIG. 11 is a rear and bottom perspective view thereof;

FIG. 12 is a front view thereof;

FIG. 13 is a rear view thereof;

FIG. 14 is a left side view thereof;

FIG. 15 is a right side view thereof;

FIG. 16 is a top view thereof;

FIG. 17 is a bottom view thereof;

FIG. 18 is an enlarged perspective view of detail "18" identified in FIG. 10; and,

FIG. 19 is an enlarged perspective view of detail "19" identified in FIG. 10.

The dashed lines in the figures illustrate portions of the car top carrier bag that form no part of the claimed design. The dash dot dash lines in FIGS. 1, 9, 10, 18 and 19 are for the purpose of illustrating the enlarged views indicators and form no part of the claimed design.

(56) **References Cited**

U.S. PATENT DOCUMENTS

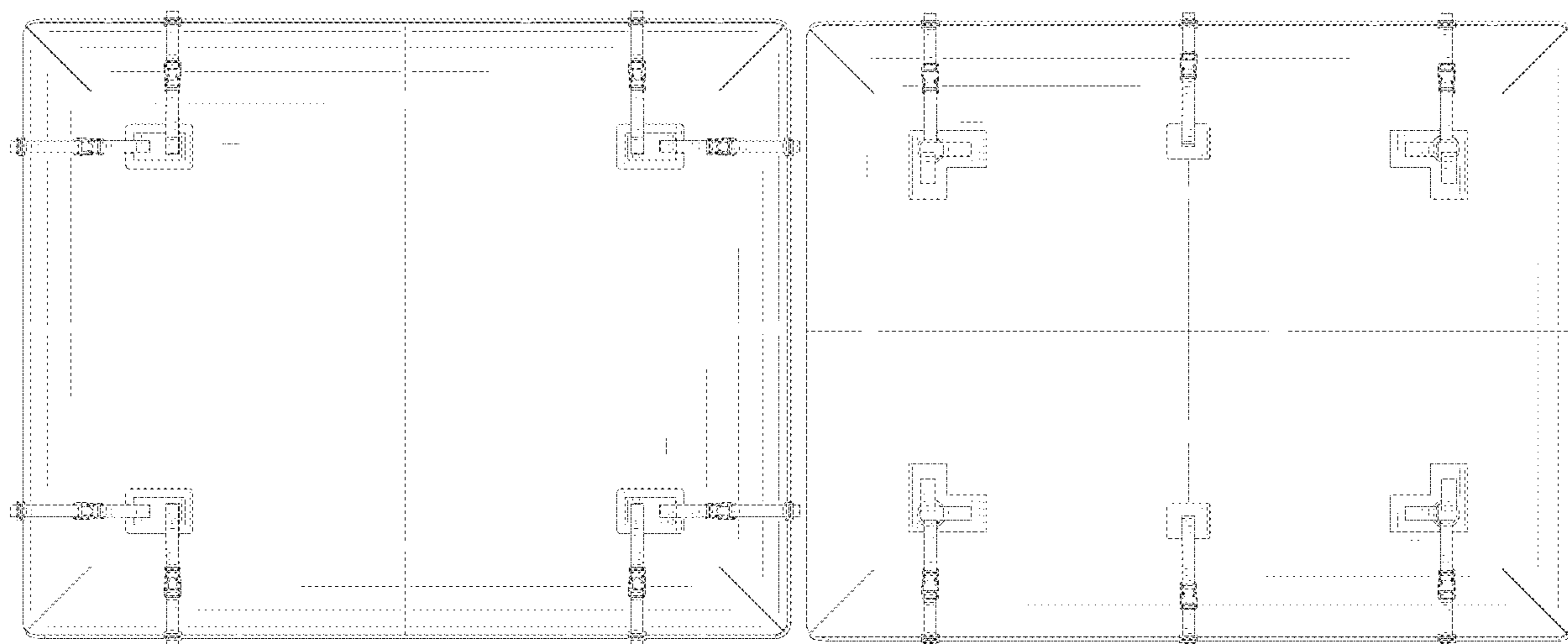
D626,495 S	11/2010	Kojoh	
D714,211 S *	9/2014	Berrey	D12/413
D717,228 S *	11/2014	Sagen	D12/413
D717,719 S *	11/2014	Sagen	D12/413
D746,217 S *	12/2015	Gruner	D12/413
D774,442 S *	12/2016	Adler	D12/413
D786,771 S *	5/2017	Eriksson	D12/413
D798,798 S *	10/2017	Krusinski	D12/413
D806,639 S *	1/2018	Eriksson	D12/413
D821,958 S *	7/2018	Adler	D12/413
D868,673 S *	12/2019	Eriksson	D12/413
D911,254 S *	2/2021	Bourassa	D12/413
D928,077 S *	8/2021	Toyoshima	D12/413
D944,183 S *	2/2022	Turner	D12/413

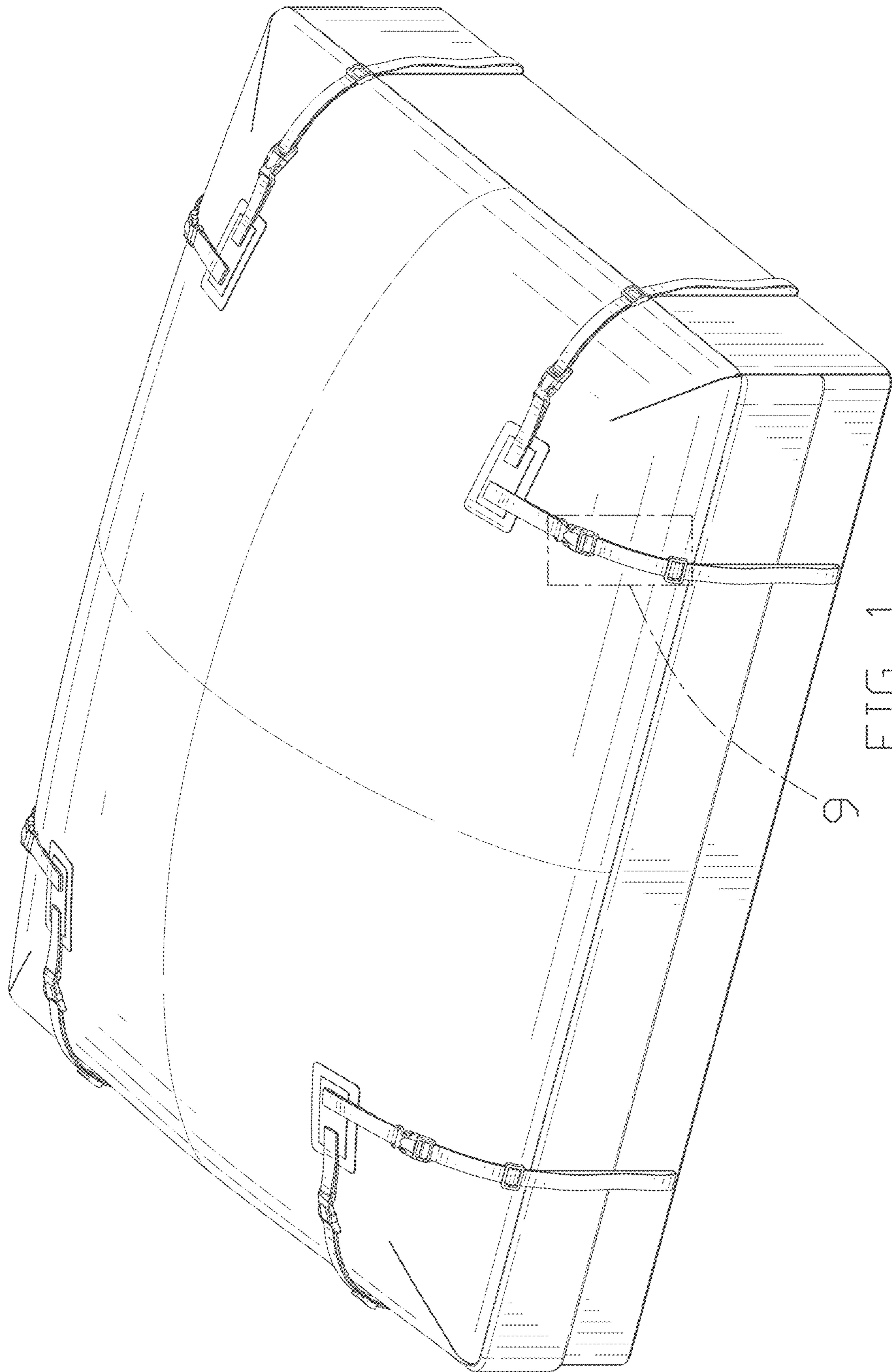
FOREIGN PATENT DOCUMENTS

CN 306987823 S 12/2021

* cited by examiner

1 Claim, 19 Drawing Sheets





9 FIG. 1

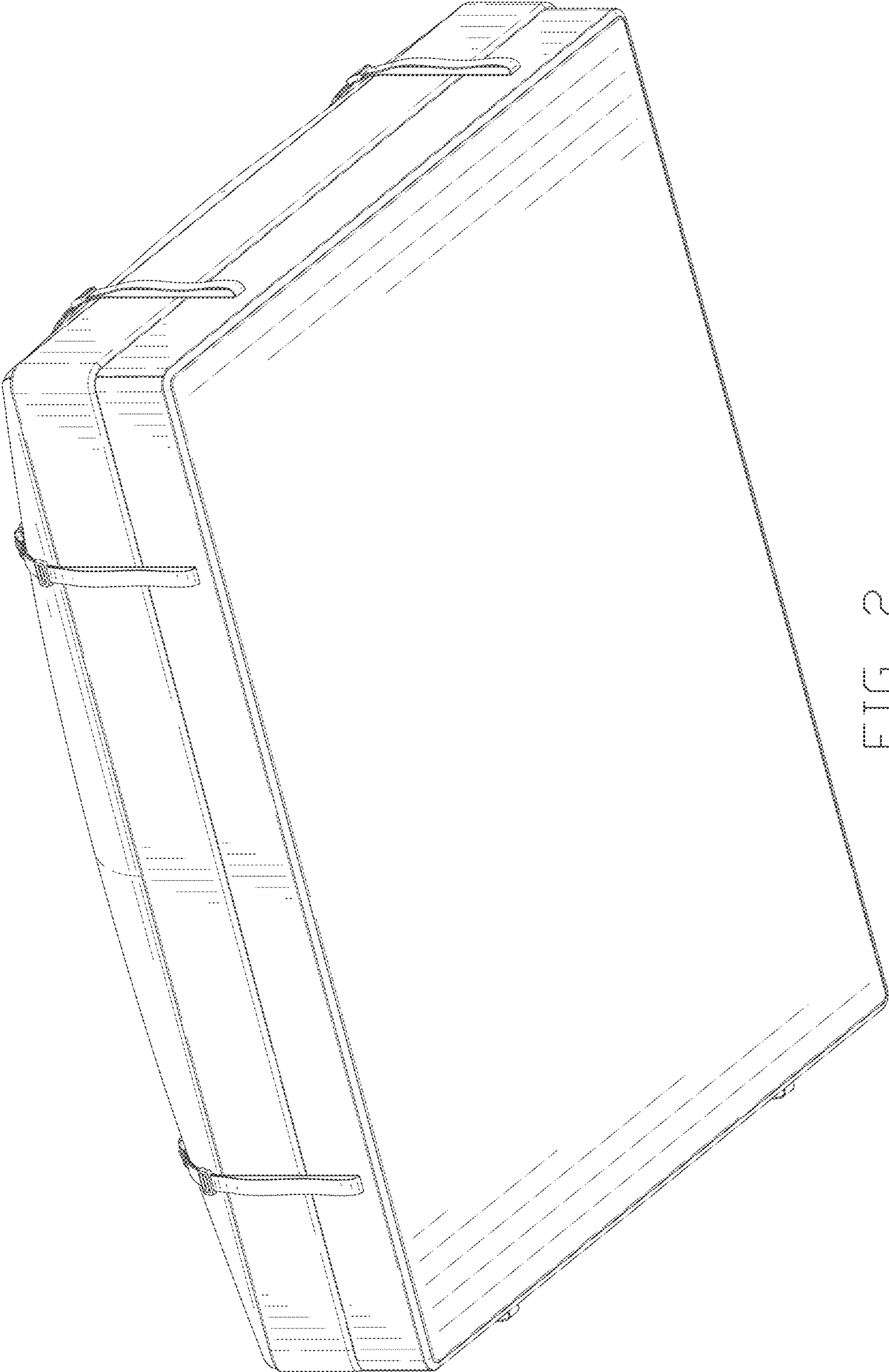


FIG. 2

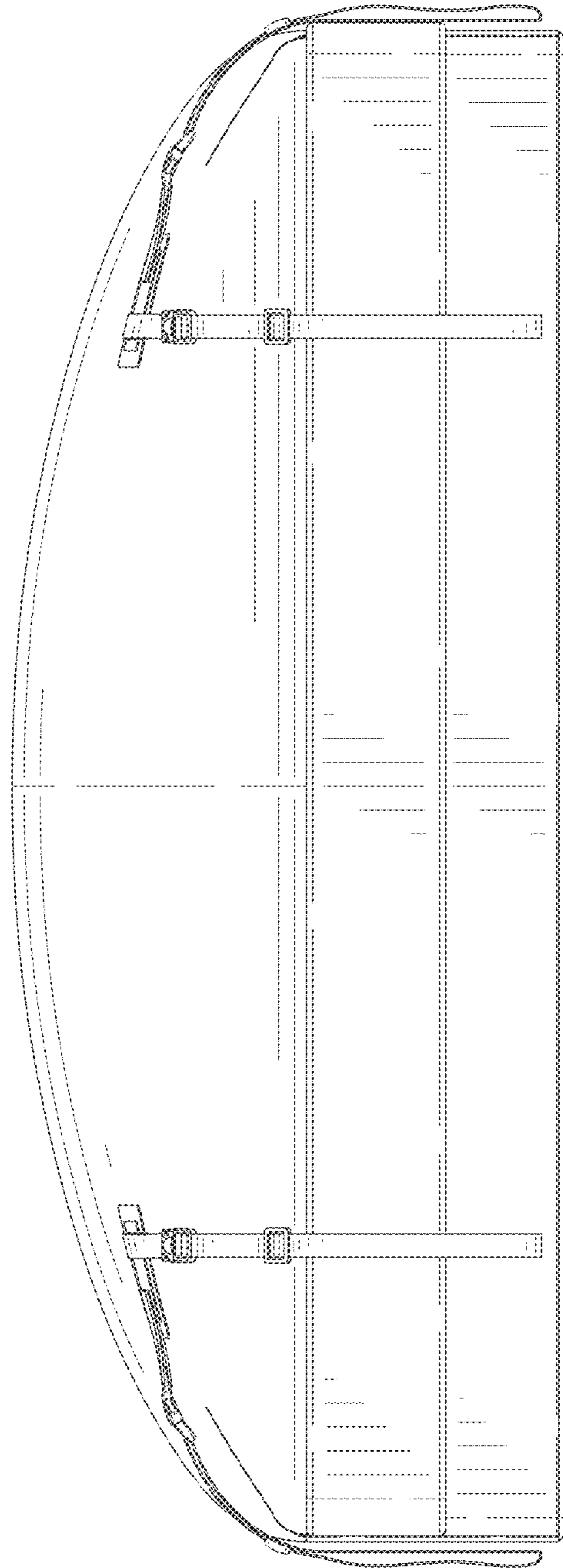


FIG. 3

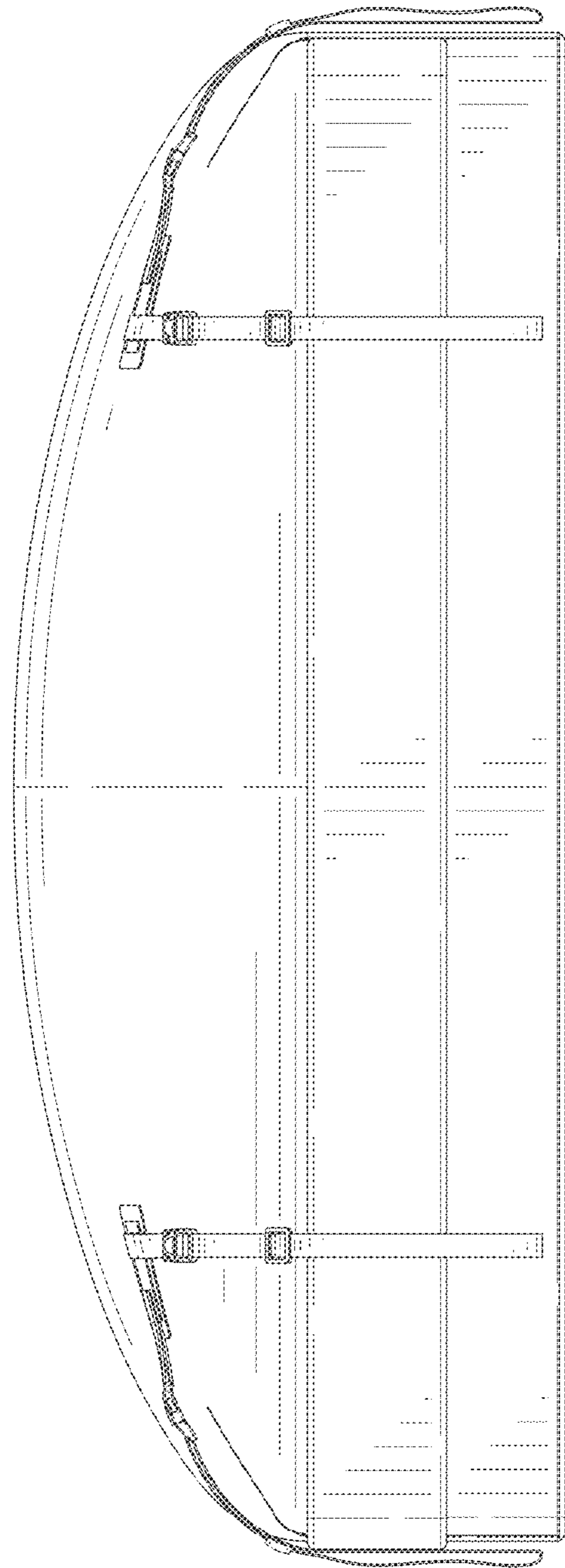


FIG. 4

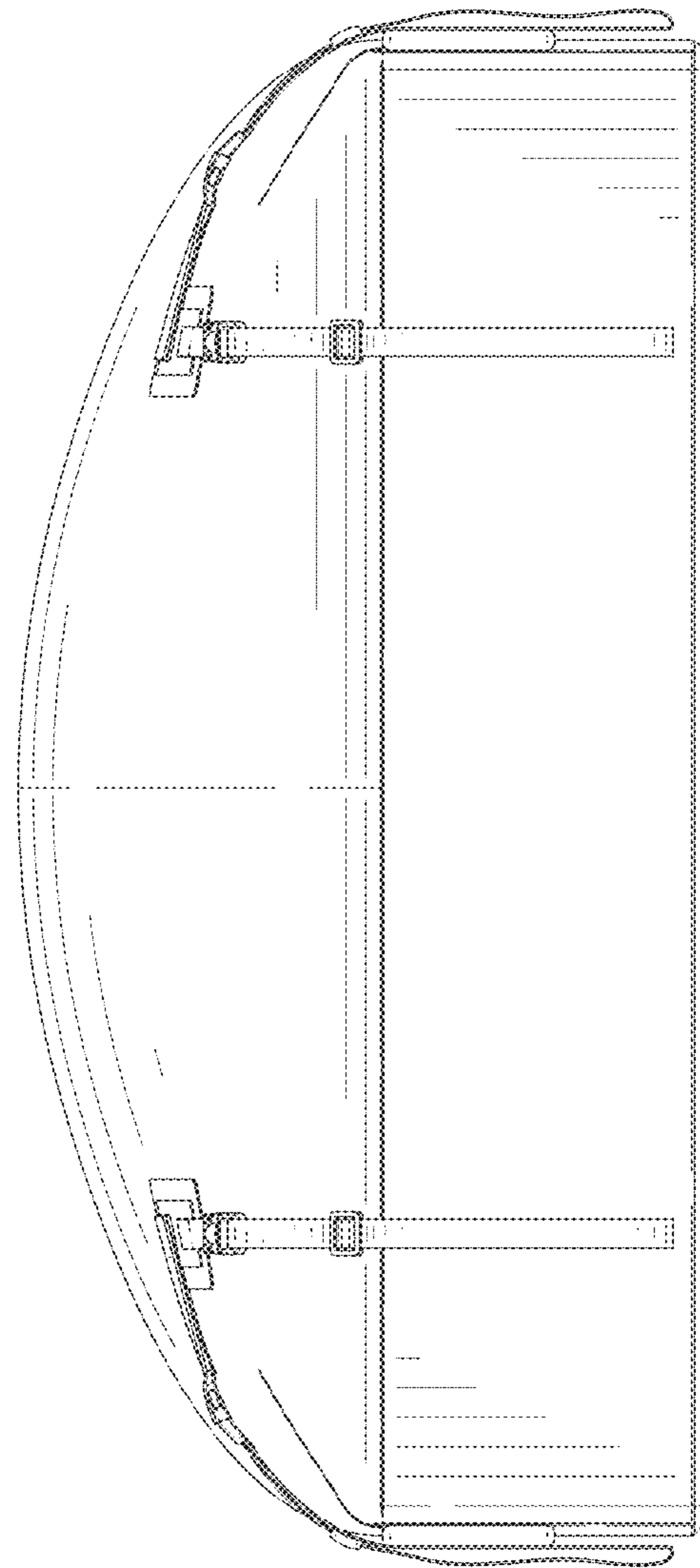


FIG. 5

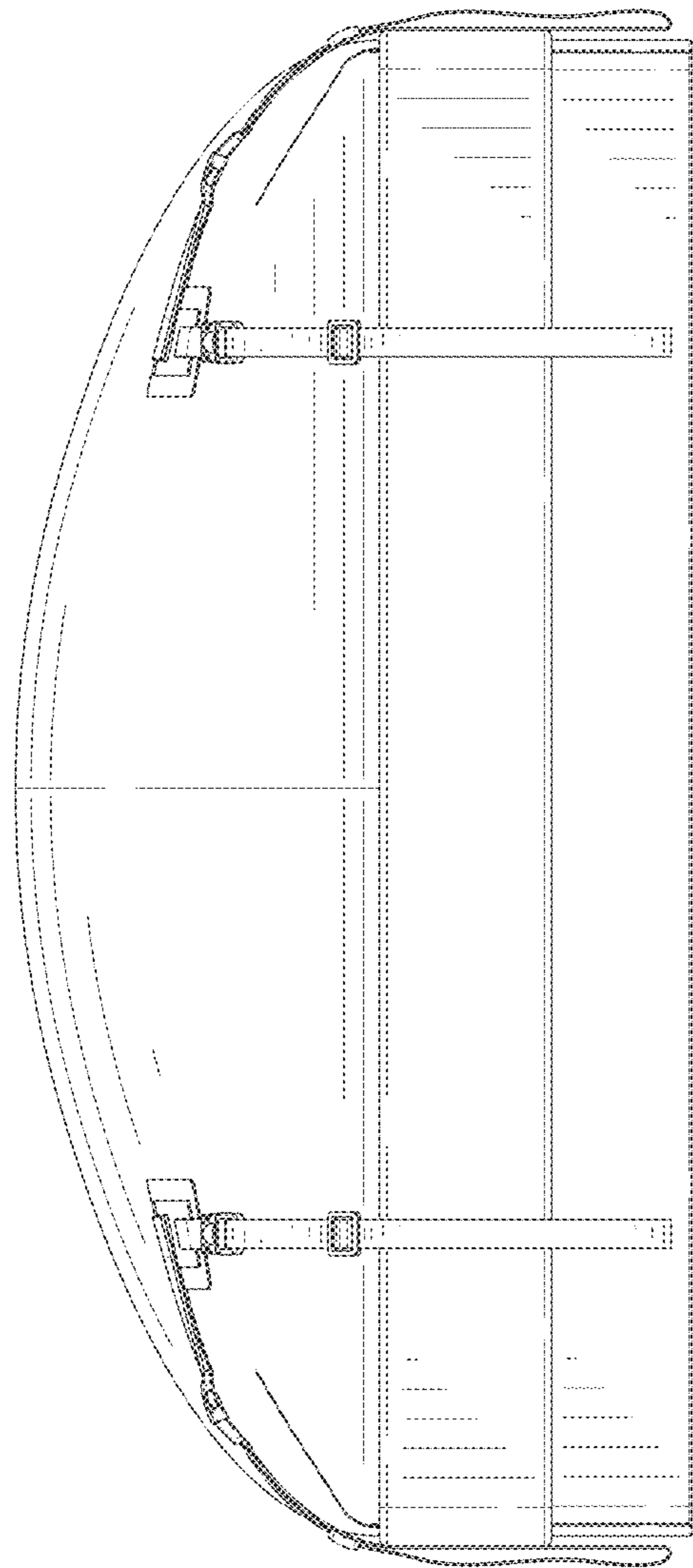


FIG. 6

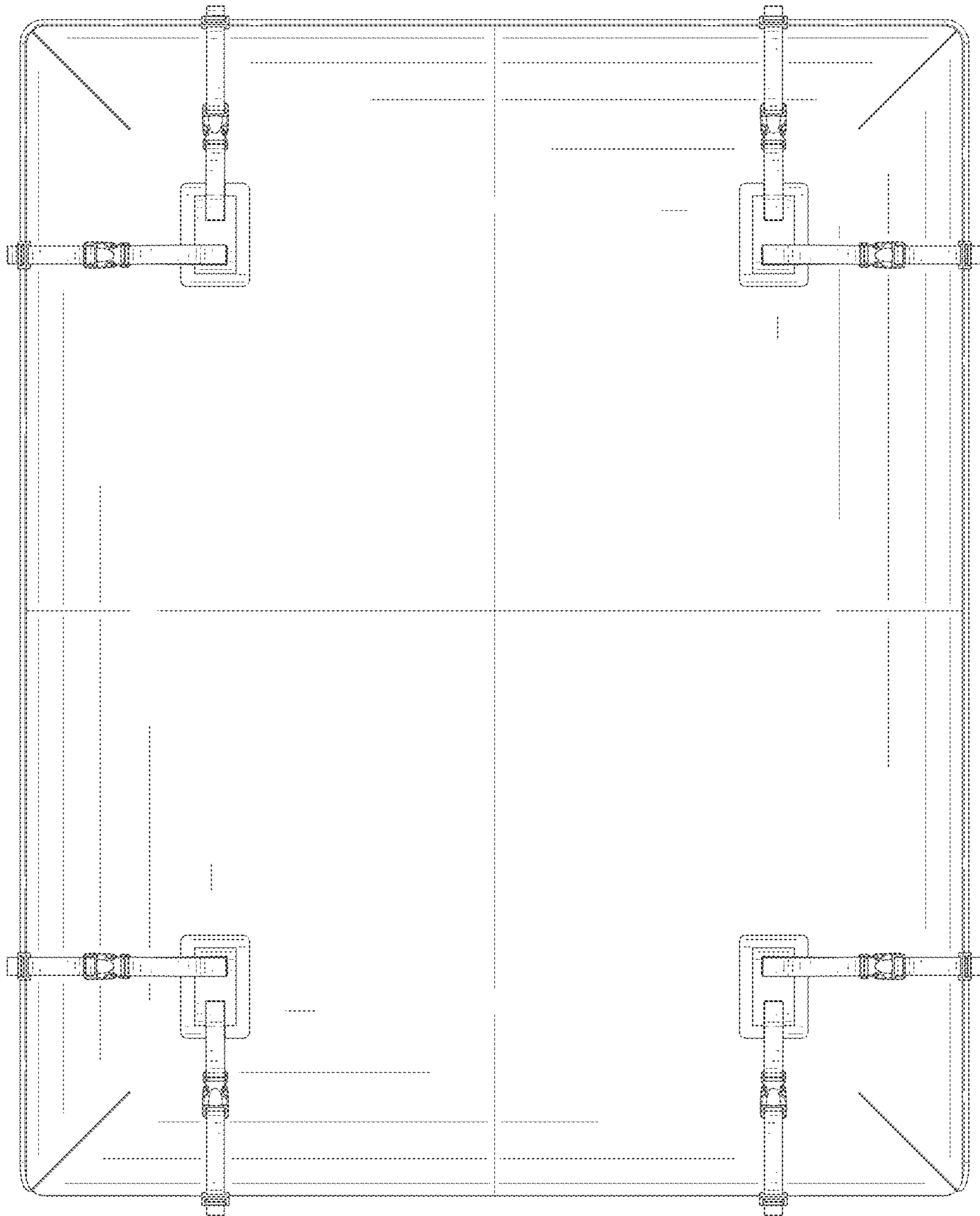


FIG. 7

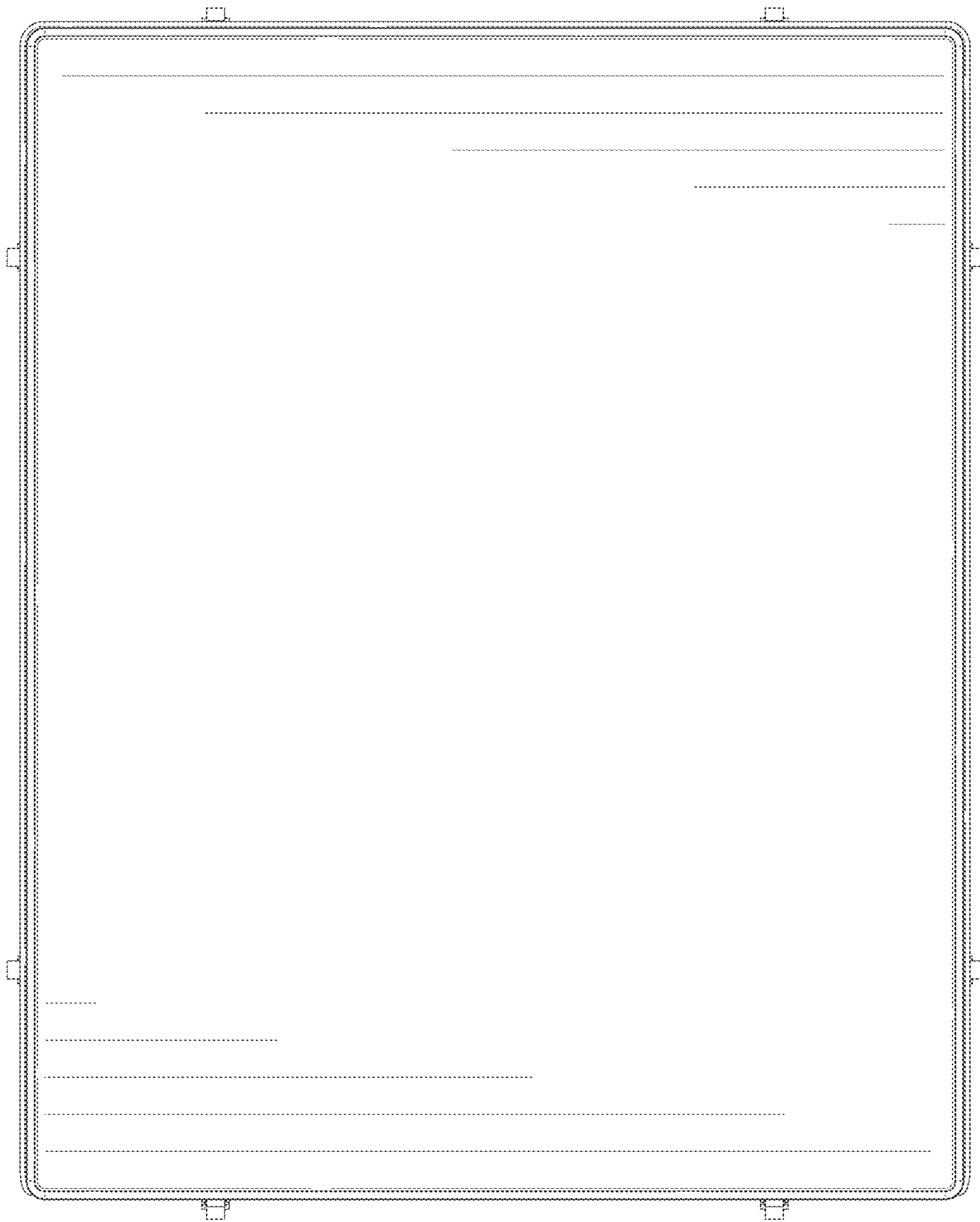


FIG. 8

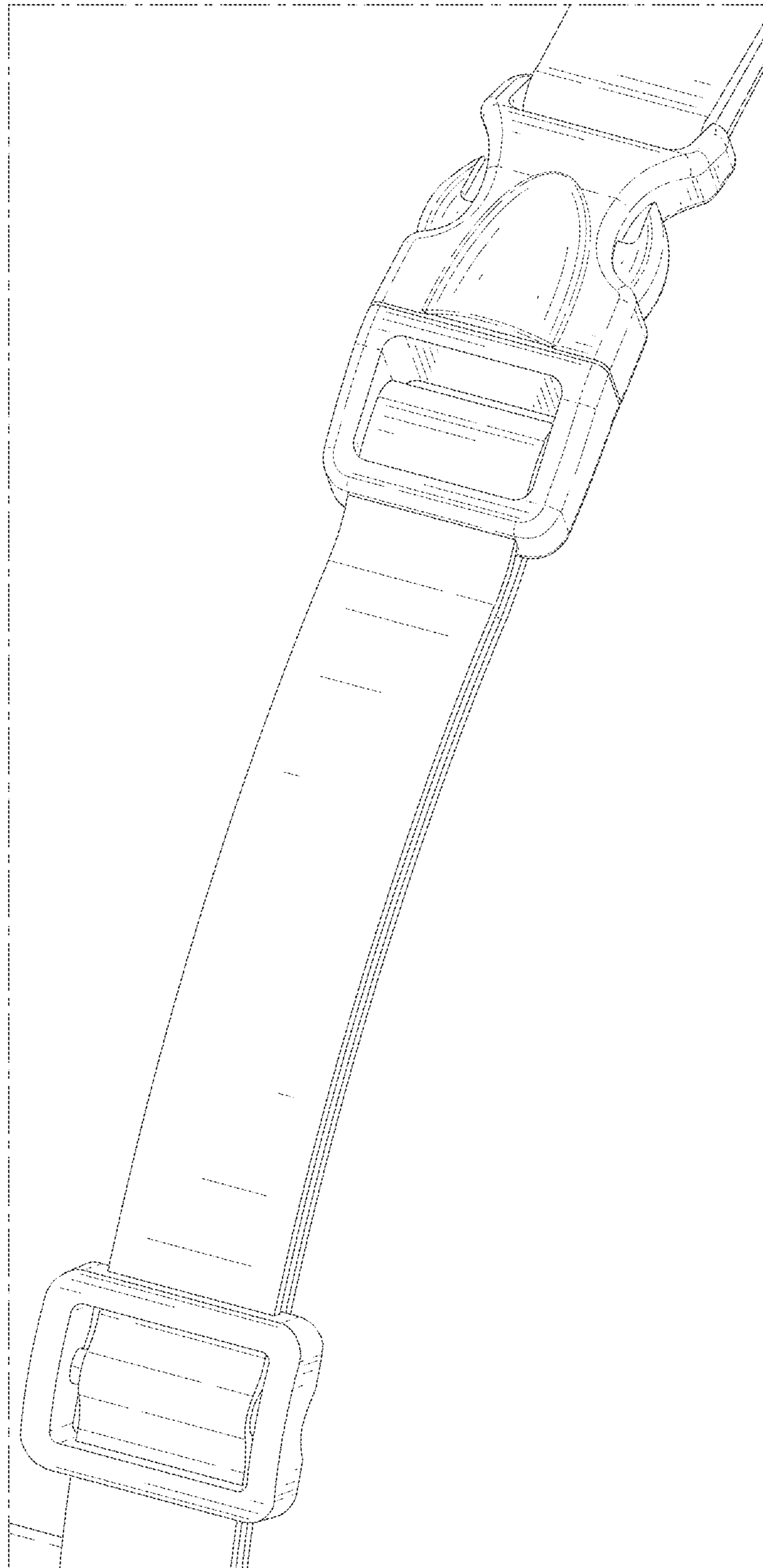


FIG. 9

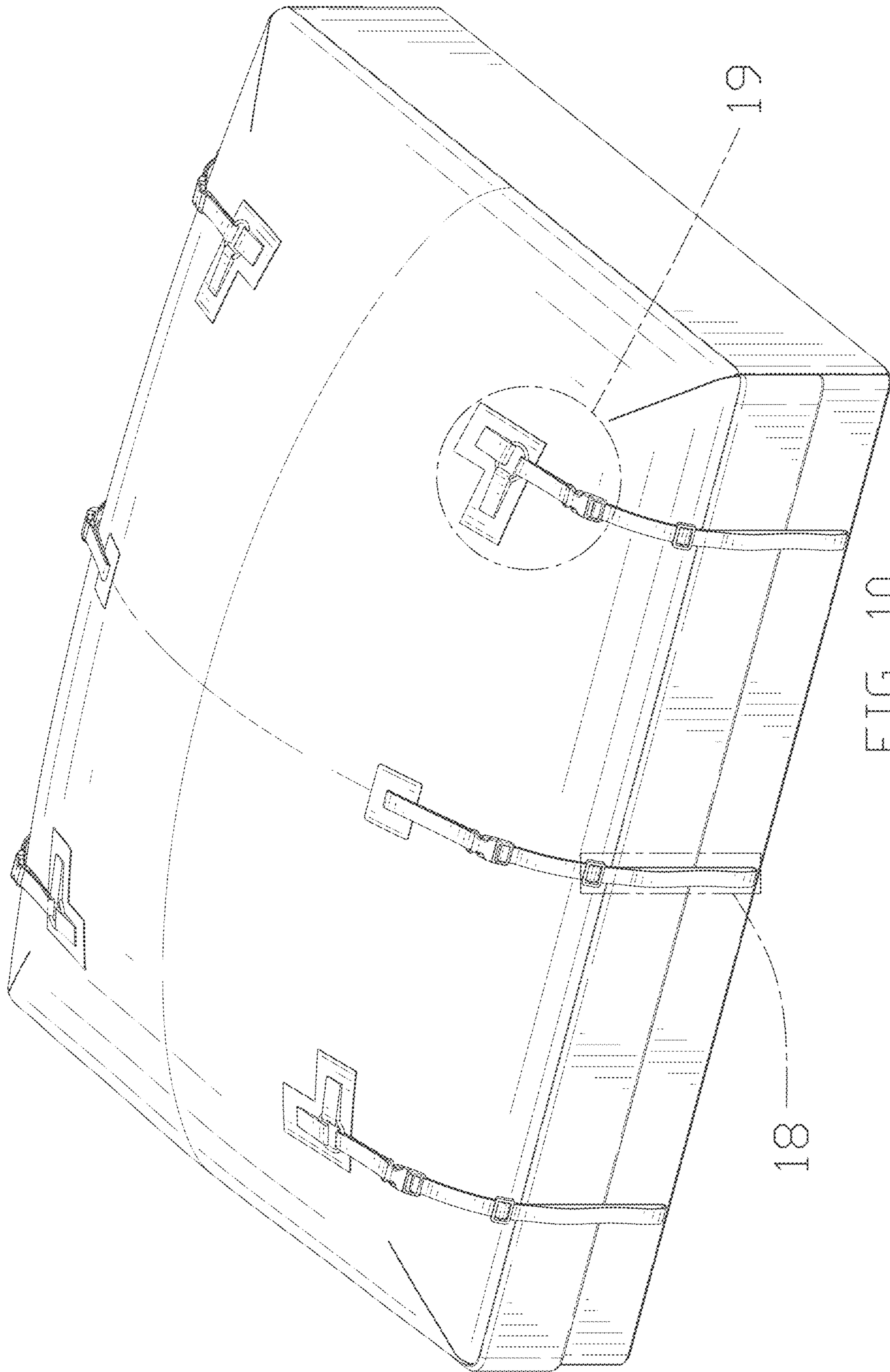


FIG. 10

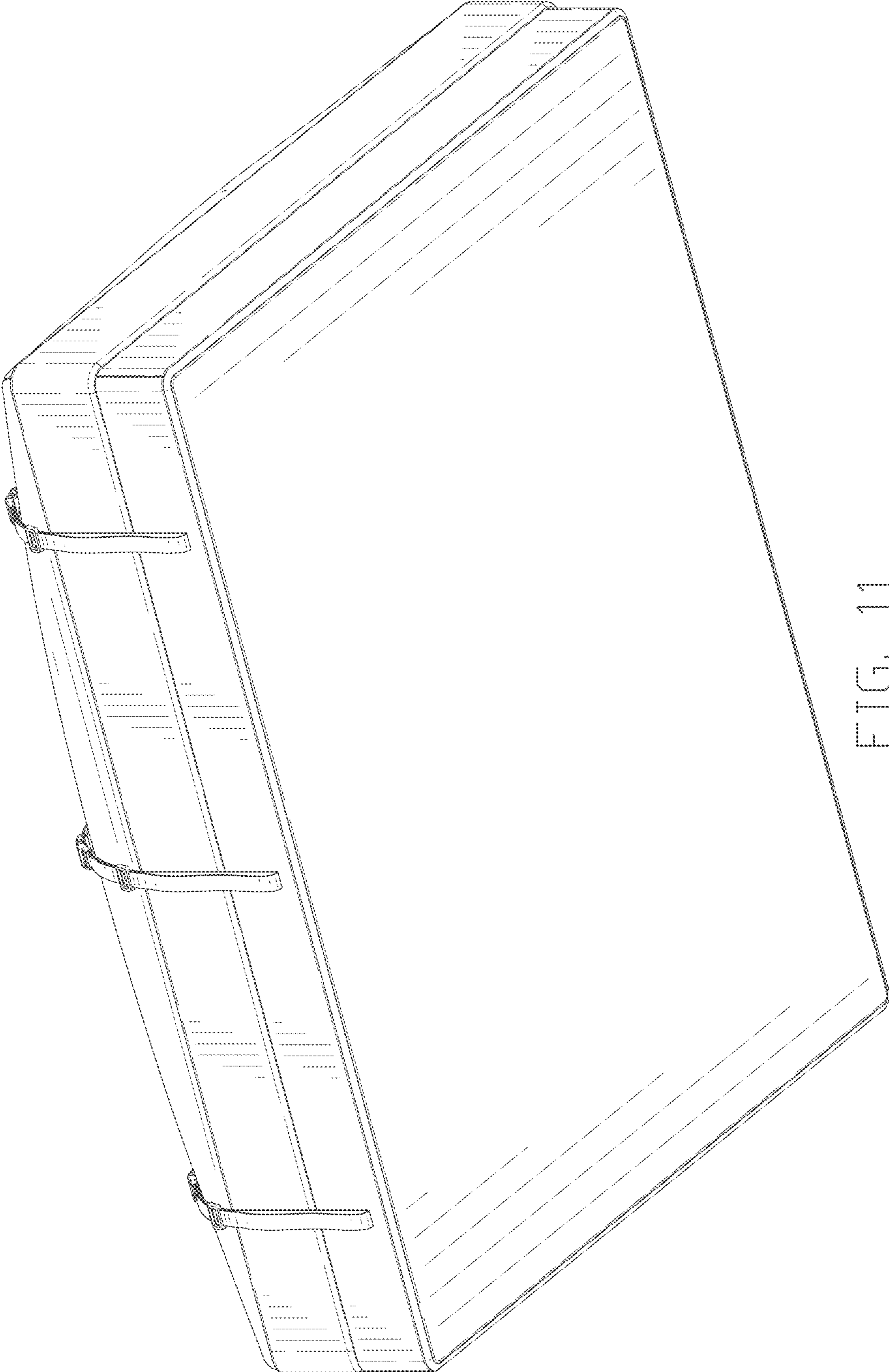


FIG. 11

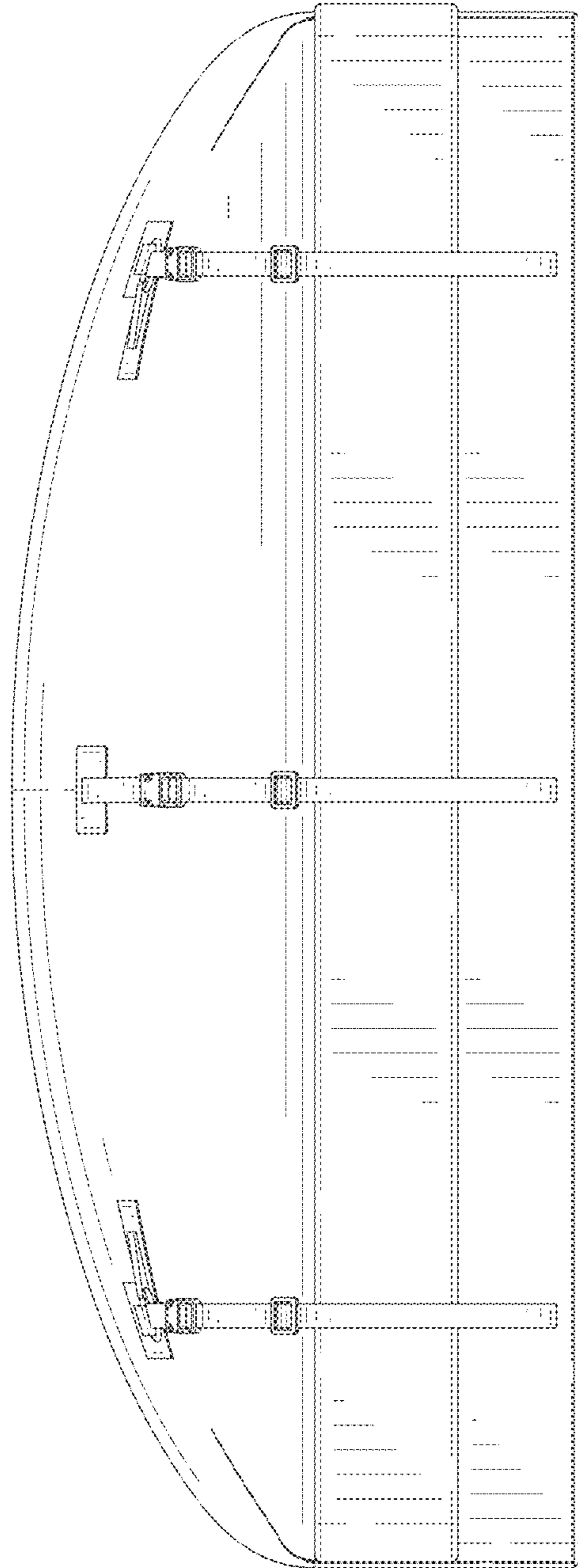


FIG. 12

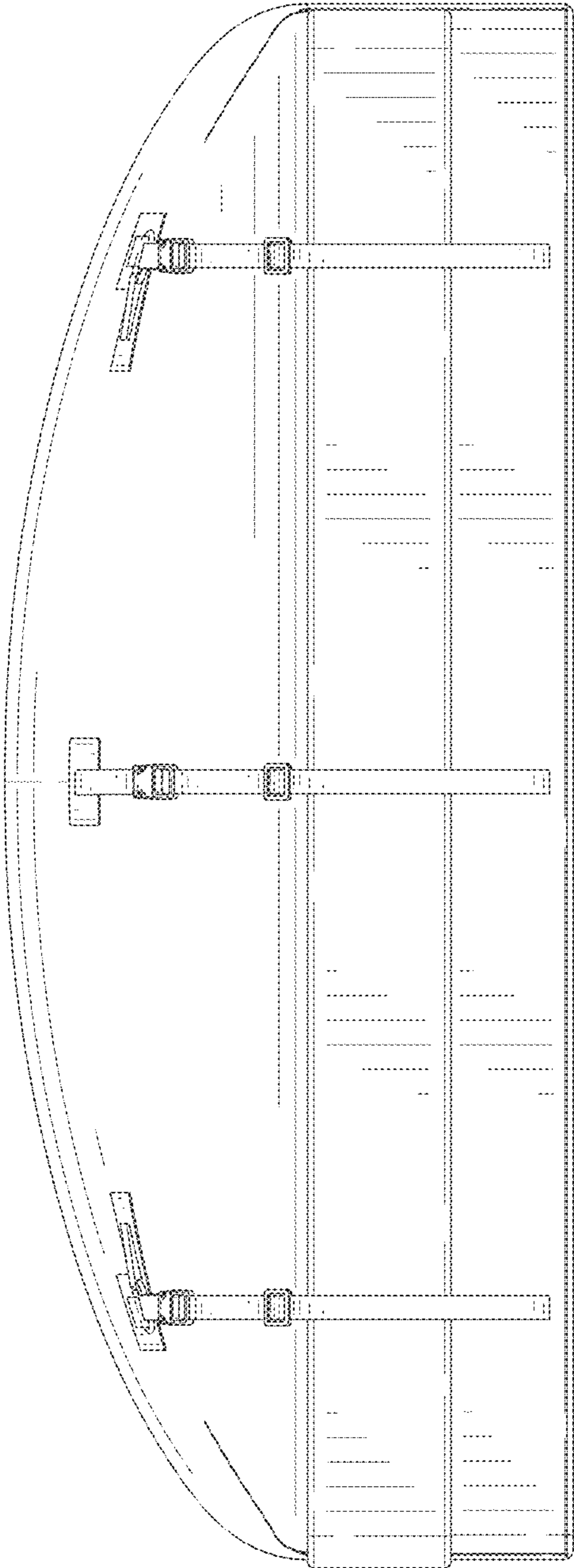


FIG. 13

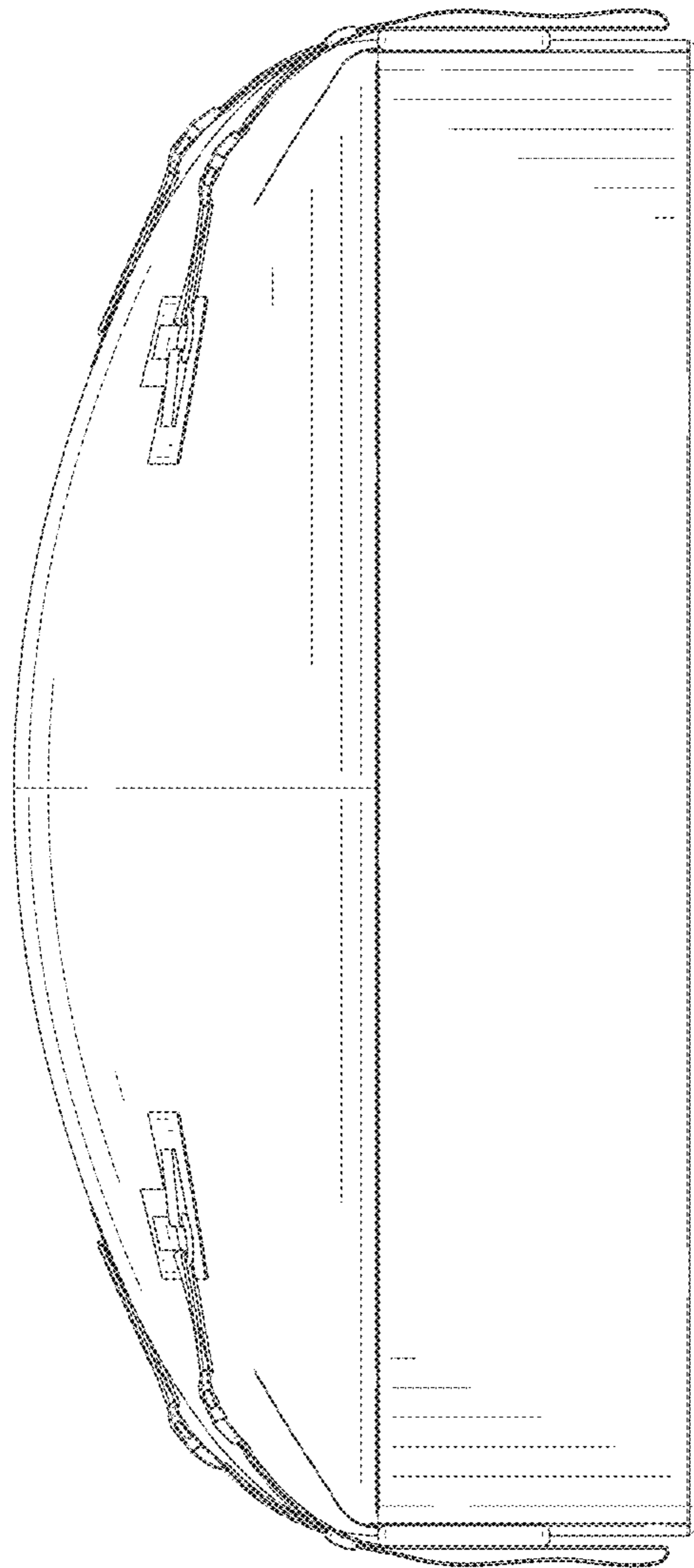


FIG. 14

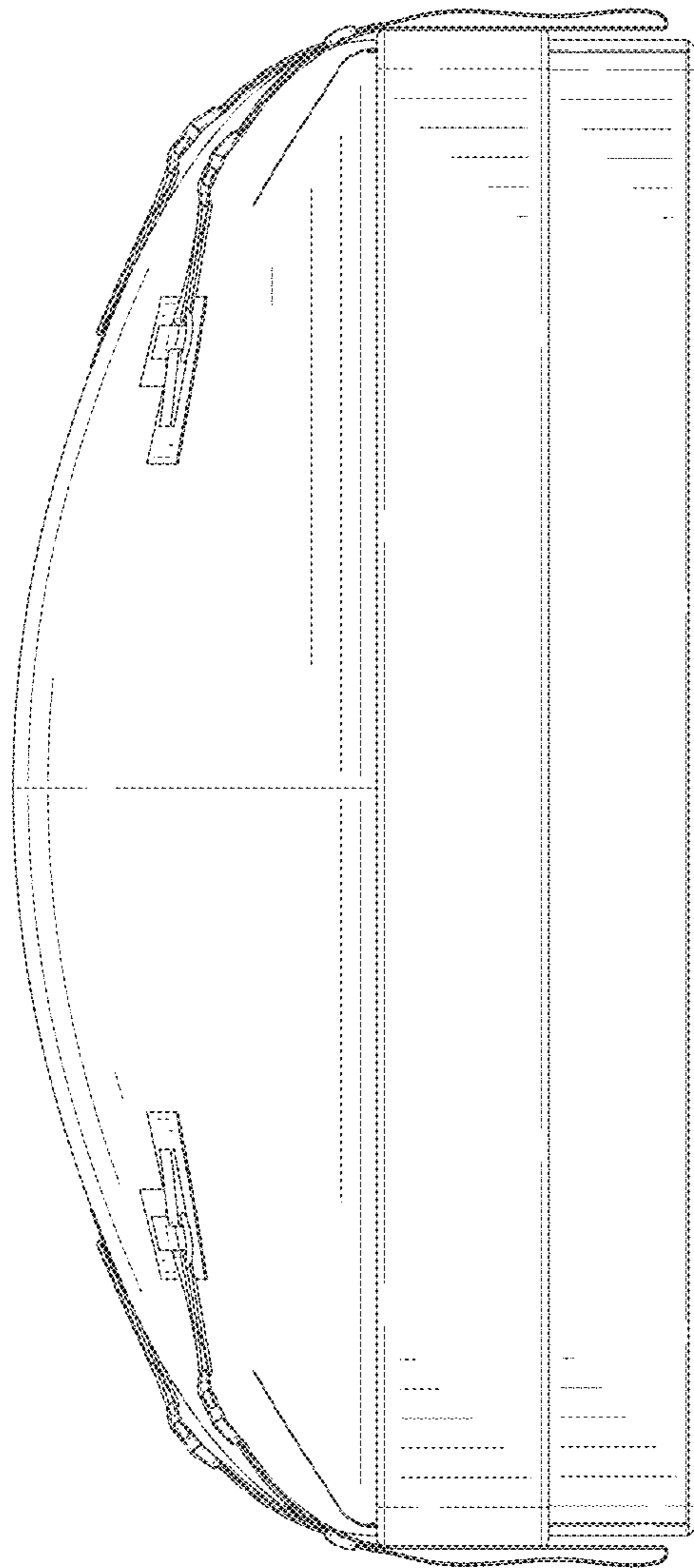


FIG. 15

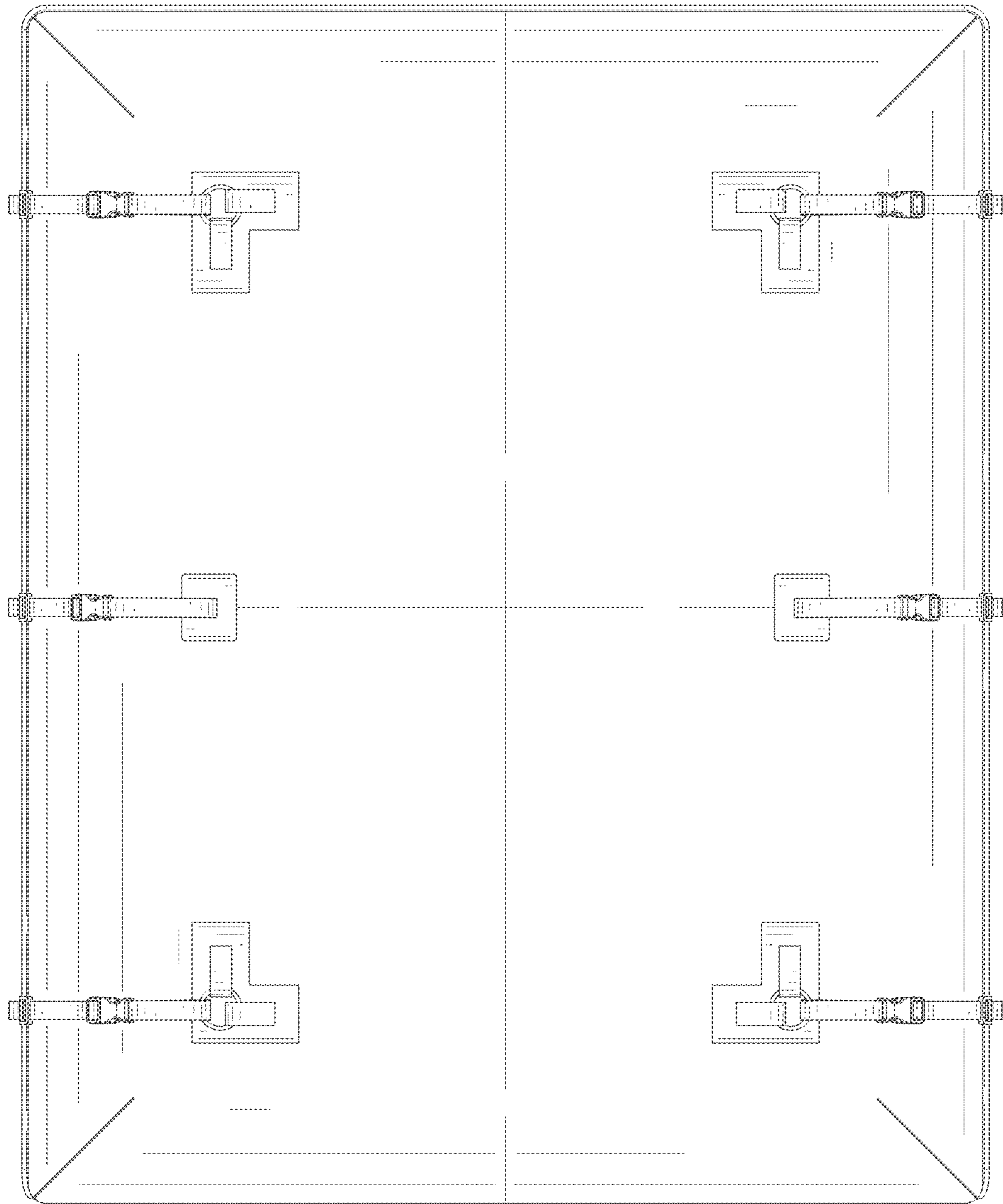


FIG. 16

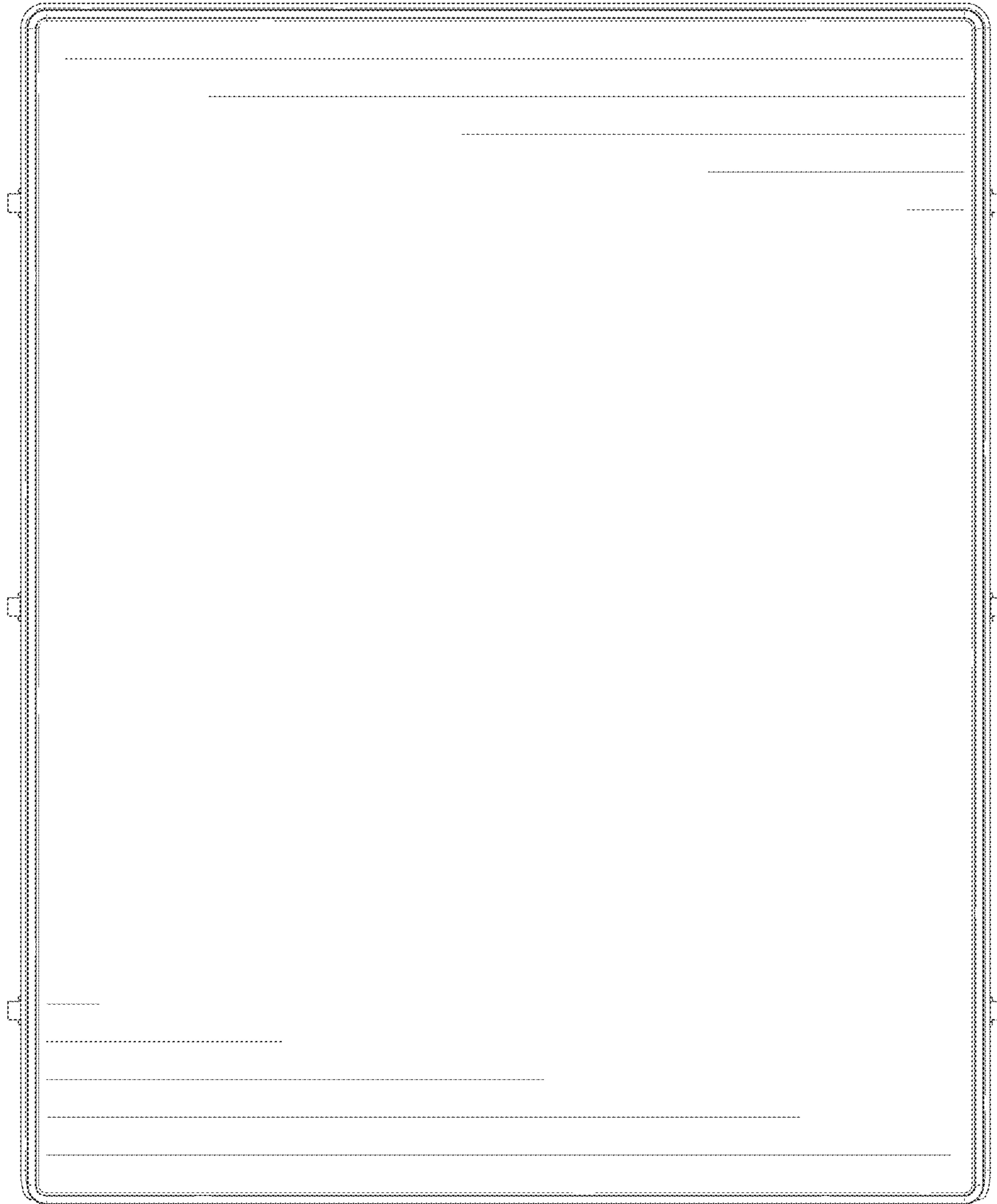


FIG. 17

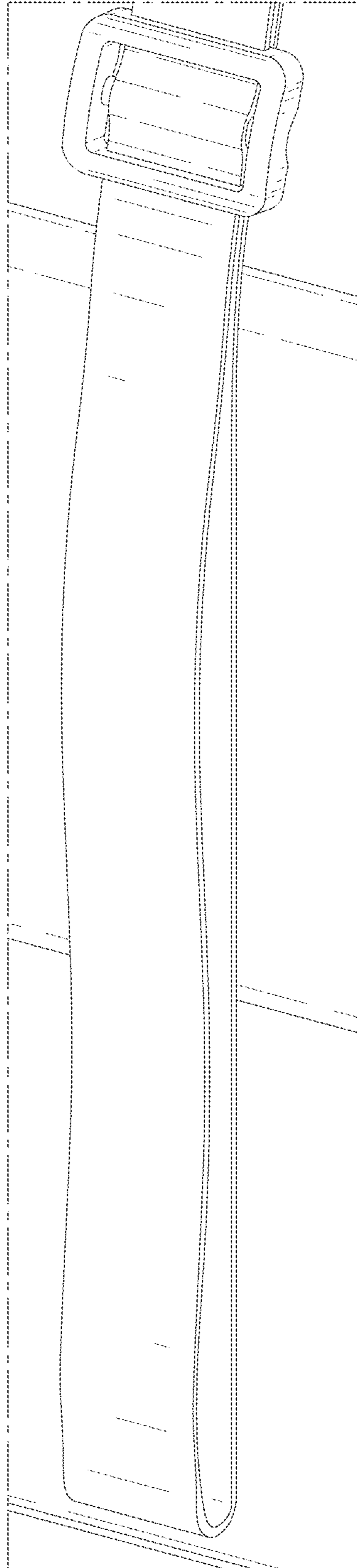


FIG. 18

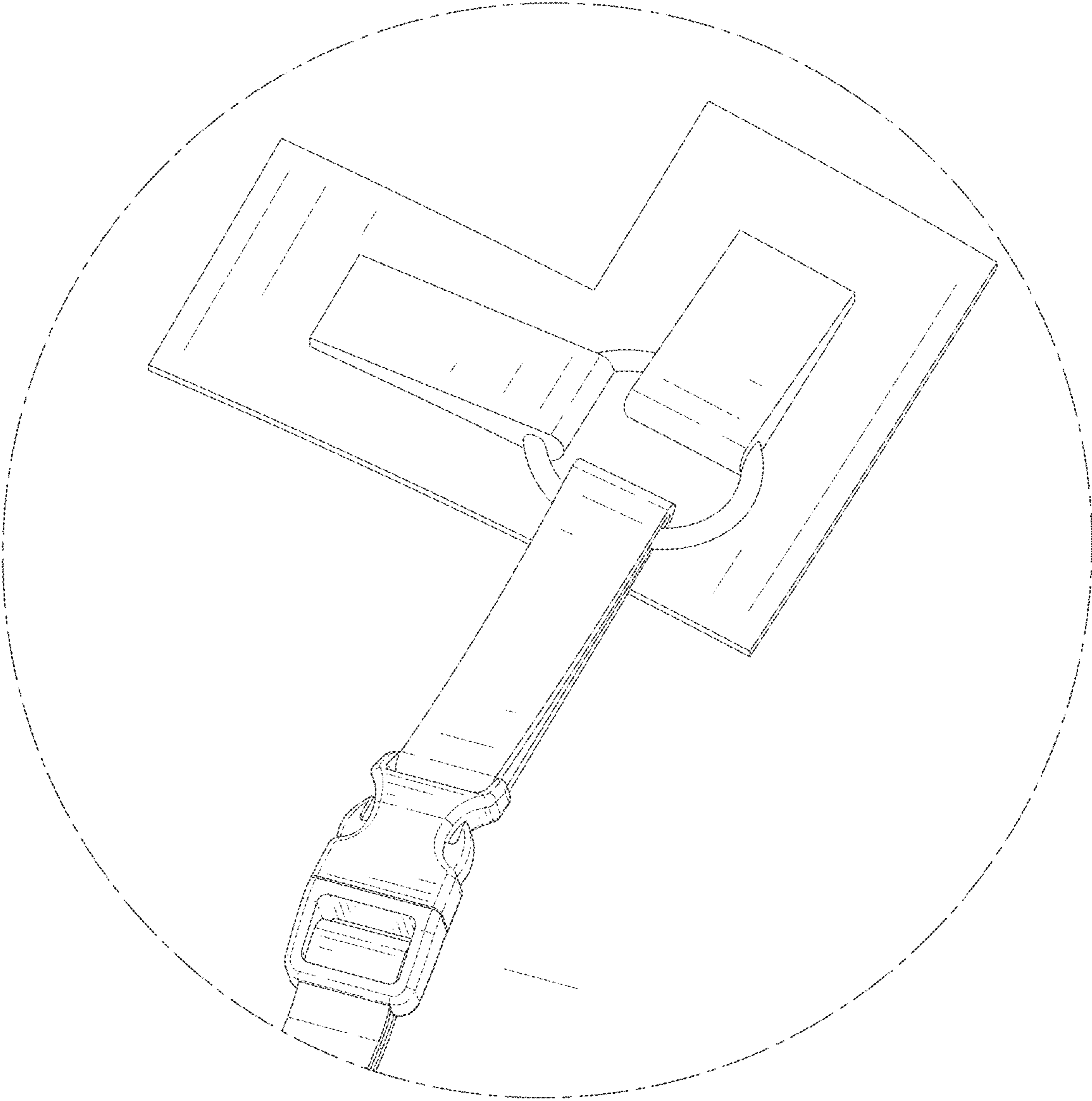


FIG. 19