



US00D980782S

(12) **United States Design Patent**
Thompson

(10) **Patent No.:** **US D980,782 S**
(45) **Date of Patent:** **** Mar. 14, 2023**

(54) **VEHICLE ROOF TOP WATER TANK**
(71) Applicant: **Stewart Thompson**, Strathmore (AU)
(72) Inventor: **Stewart Thompson**, Strathmore (AU)
(**) Term: **15 Years**

D773,379 S * 12/2016 Toyoshima D12/413
D806,638 S * 1/2018 Adler D12/413
D806,639 S * 1/2018 Eriksson D12/413
D868,673 S * 12/2019 Eriksson D12/413
D898,655 S * 10/2020 Yang D12/413
D928,077 S * 8/2021 Toyoshima D12/413
2011/0084102 A1 * 4/2011 Sautter B60R 9/055
224/316

(21) Appl. No.: **29/762,364**

* cited by examiner

(22) Filed: **Dec. 16, 2020**

Primary Examiner — Susan E Krakower

Assistant Examiner — Jerry Shiuang-Hua Hsu

(30) **Foreign Application Priority Data**

(74) *Attorney, Agent, or Firm* — Allen, Dyer, Doppelt + Gilchrist, PA

Jun. 22, 2020 (AU) 202013451

(51) **LOC (14) Cl.** **12-16**

(52) **U.S. Cl.**
USPC **D12/413**

(58) **Field of Classification Search**
USPC D12/406–414, 414.1; D32/35, 58;
D6/317–319, 513–514
CPC B62J 7/04; B62J 7/06; B60R 9/00; B60R
9/04; B60R 9/055; B60R 9/052; B60R
9/058

See application file for complete search history.

(56) **References Cited**

U.S. PATENT DOCUMENTS

D336,875 S * 6/1993 Cox D12/413
D513,602 S * 1/2006 Lynch D12/413
D590,762 S * 4/2009 Gruner D12/413
D595,215 S * 6/2009 Rasche D12/413
D628,142 S * 11/2010 Farber D12/413
D630,157 S * 1/2011 Farber D12/413
D642,970 S * 8/2011 Elder D12/413
D726,638 S * 4/2015 Rupp D12/413
D746,217 S * 12/2015 Gruner D12/413
D773,378 S * 12/2016 Sagen D12/413

(57) **CLAIM**

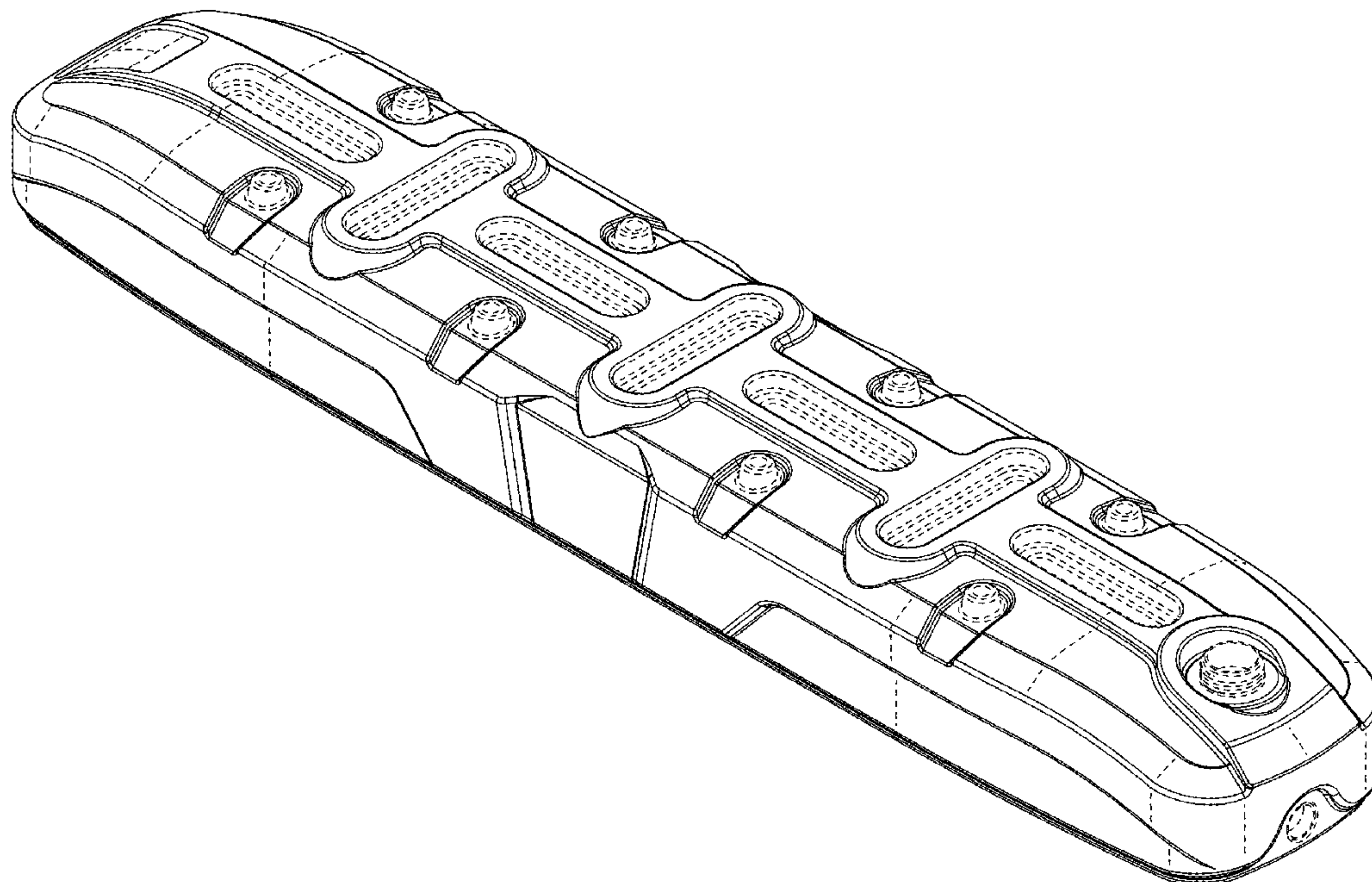
The ornamental design for a vehicle roof top water tank, as shown and described.

DESCRIPTION

FIG. 1 is a top, back, left-side perspective view of a vehicle roof top water tank showing my new design;
FIG. 2 is a bottom, front, right-side perspective view thereof;
FIG. 3 is a front view thereof, shown enlarged for ease of illustration;
FIG. 4 is a back view thereof, shown enlarged for ease of illustration;
FIG. 5 is a left-side view thereof;
FIG. 6 is a right-side view thereof;
FIG. 7 is a top view thereof; and,
FIG. 8 is a bottom view thereof.

The broken lines in the drawings show portions of the vehicle roof top water tank, which form no part of the claimed design.

1 Claim, 7 Drawing Sheets



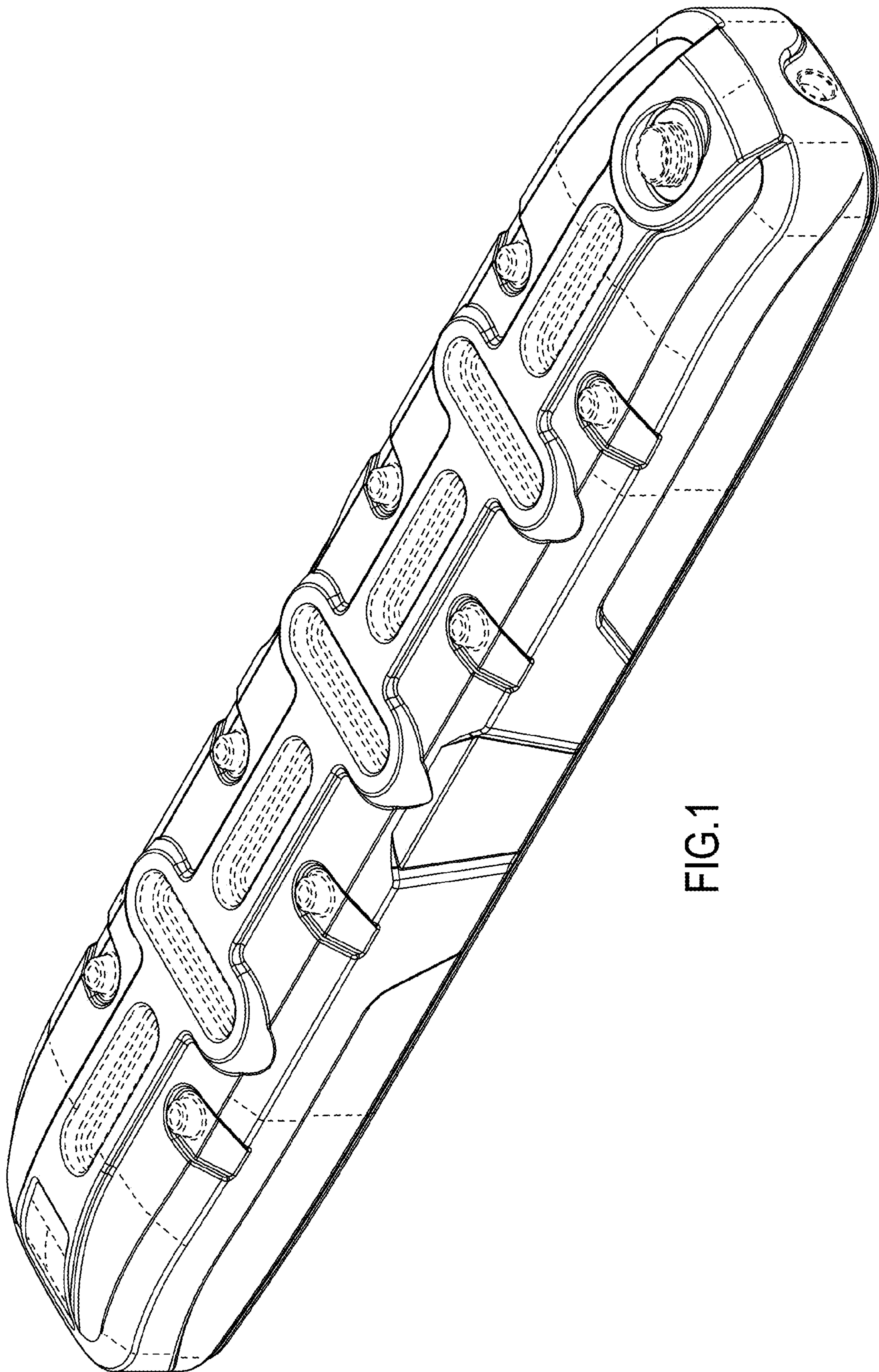


FIG.1

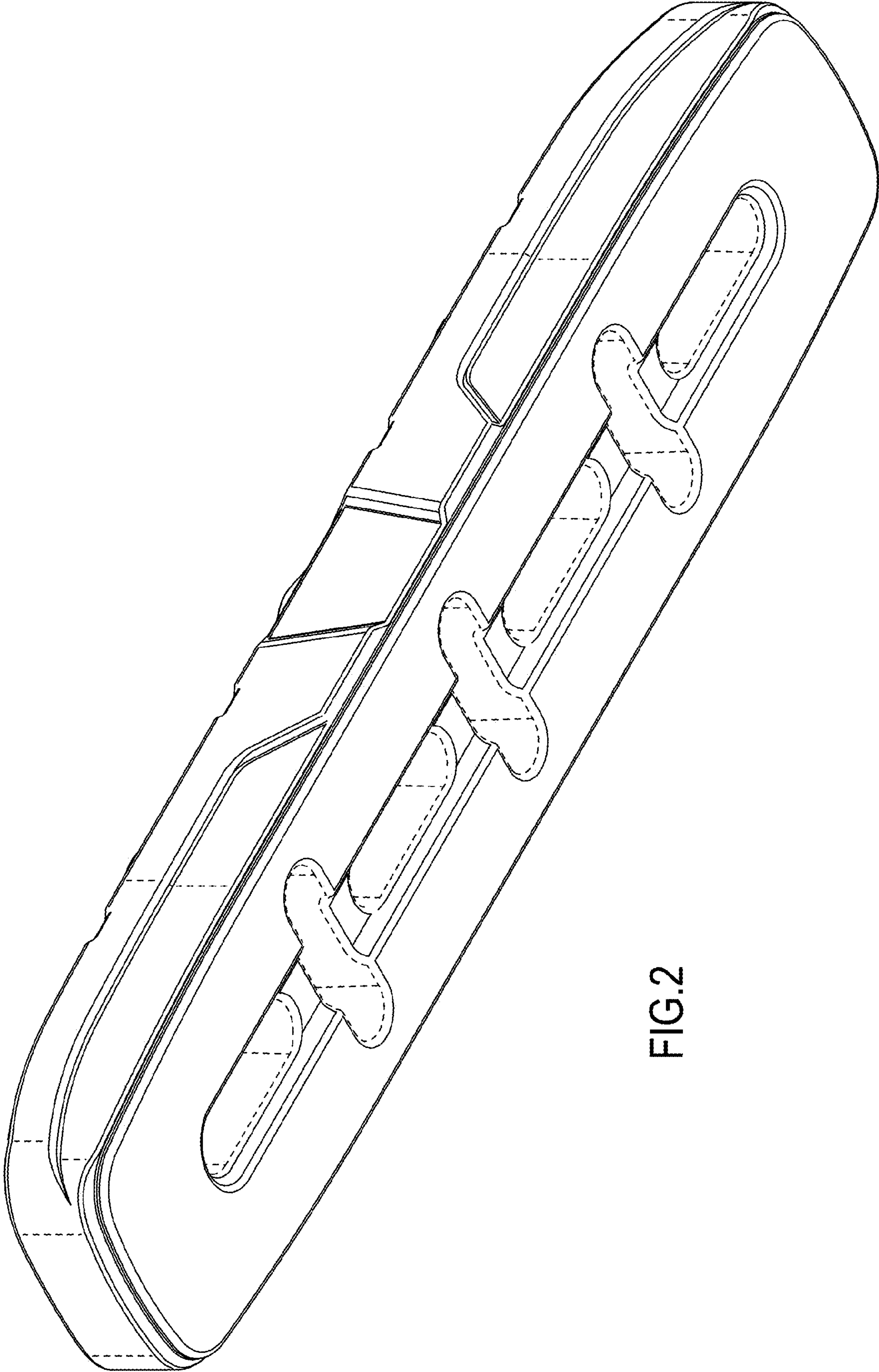


FIG.2

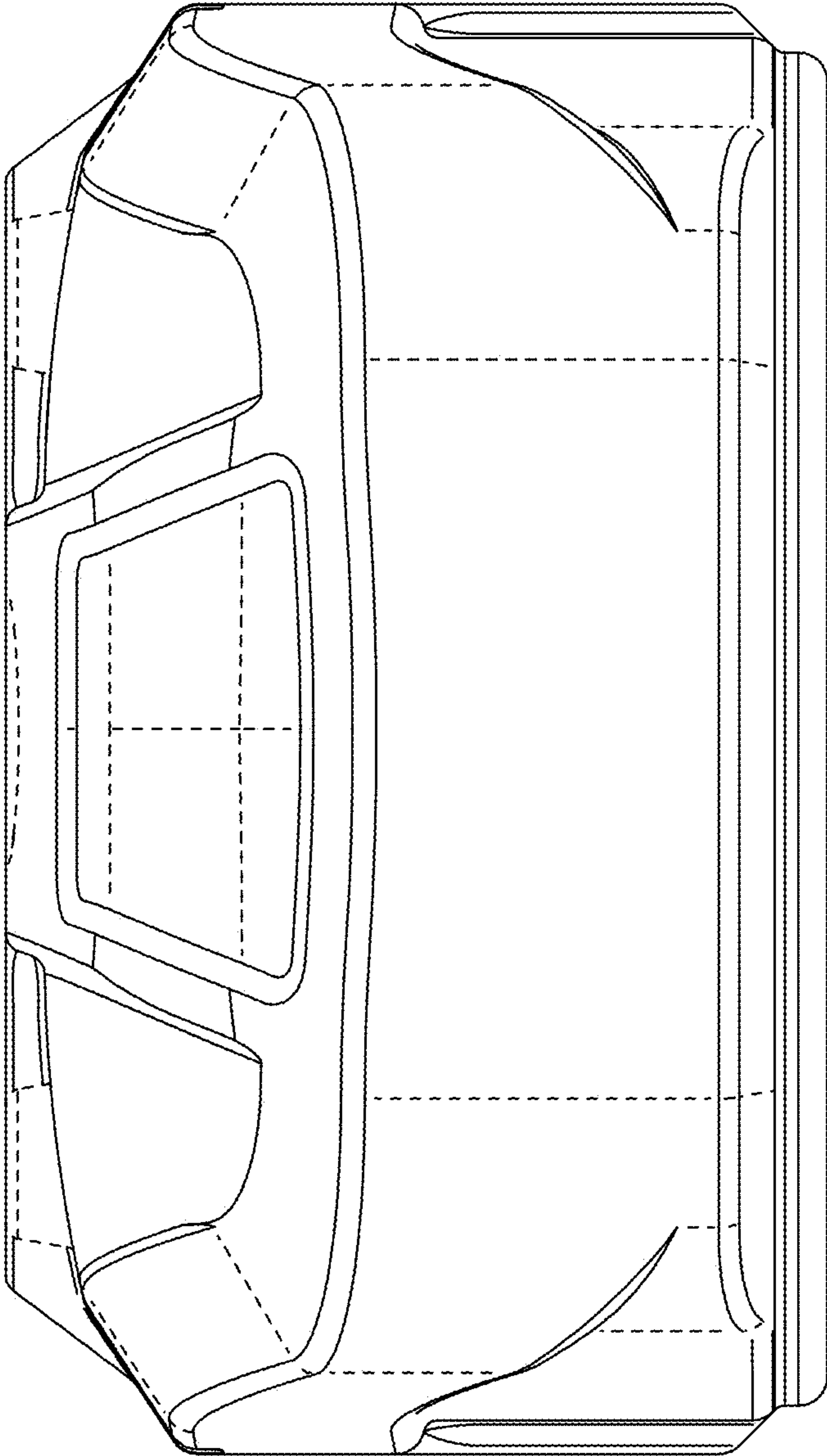


FIG.3

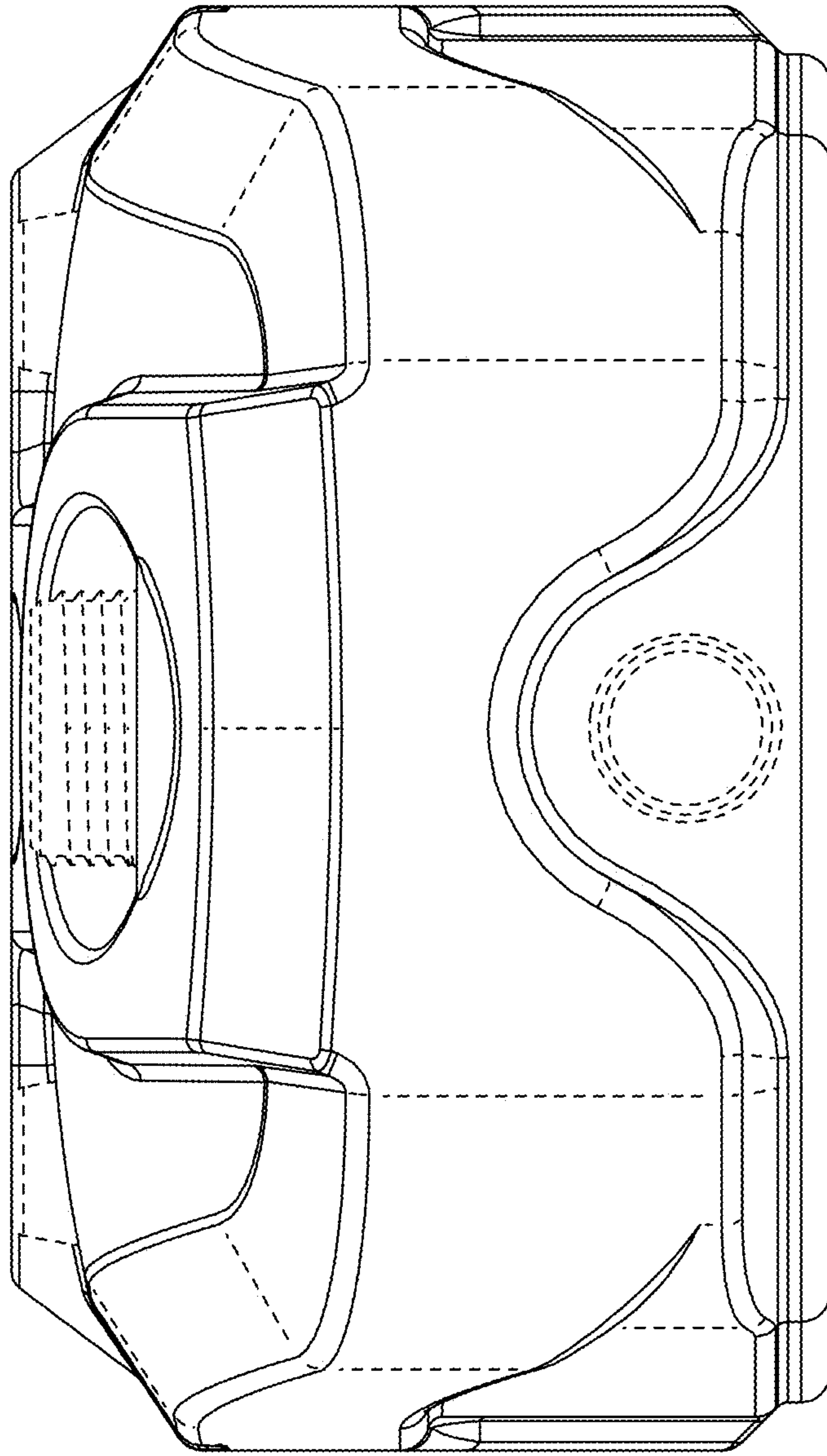


FIG.4

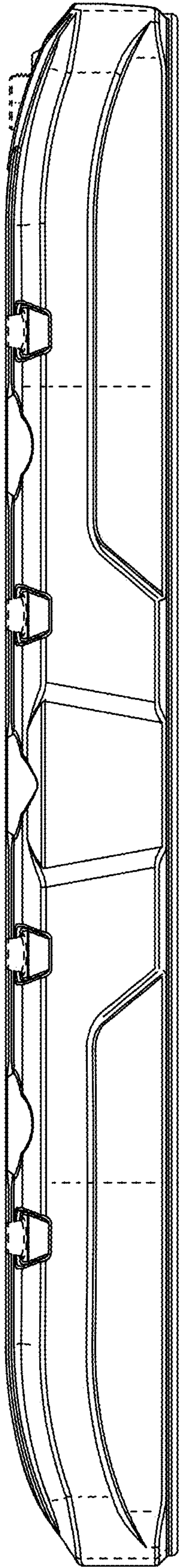


FIG. 5

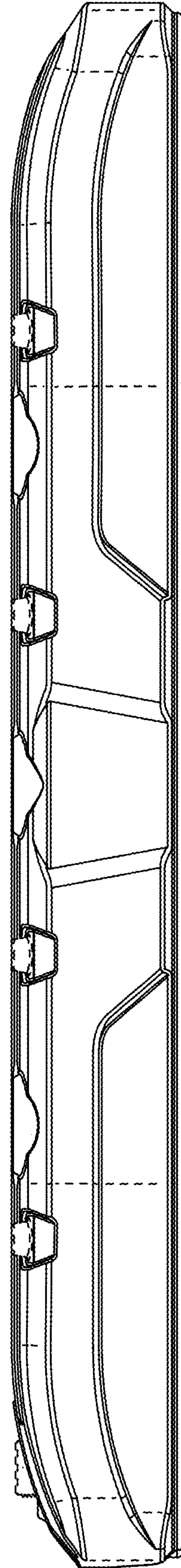


FIG. 6

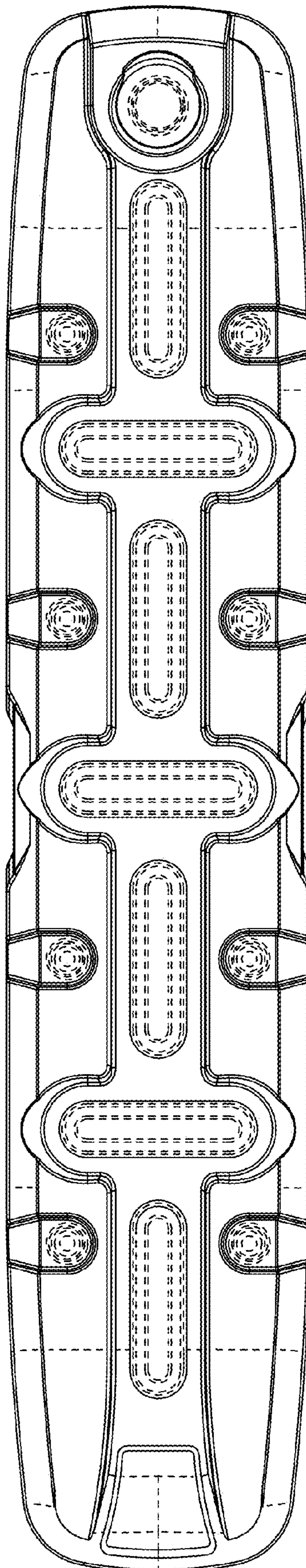


FIG.7

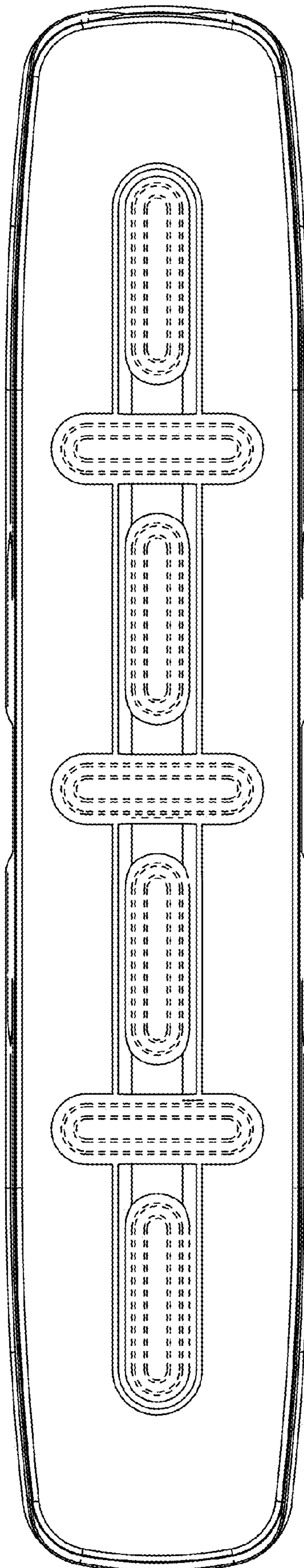


FIG.8