



US00D980781S

(12) **United States Design Patent**  
**Fengfeng**

(10) **Patent No.:** **US D980,781 S**

(45) **Date of Patent:** **\*\* Mar. 14, 2023**

(54) **AUTOMOBILE PASSENGER GRAB HANDLE**

(71) Applicant: **Huang Fengfeng**, Nanning (CN)

(72) Inventor: **Huang Fengfeng**, Nanning (CN)

(\*\*) Term: **15 Years**

(21) Appl. No.: **29/811,513**

(22) Filed: **Oct. 14, 2021**

**Related U.S. Application Data**

(63) Continuation-in-part of application No. 29/692,844, filed on May 29, 2019, now abandoned.

(51) **LOC (14) Cl.** ..... **12-16**

(52) **U.S. Cl.**

USPC ..... **D12/400**; D8/303

(58) **Field of Classification Search**

USPC ..... D8/300, 301, 302, 303, 315, 316, 318, D8/319, 320, 350, 107, 356; D12/187, D12/188, 189, 190, 193, 195, 196, 414, D12/114, 178, 184, 400, 406, 412, 169, D12/167, 128-133; D21/662, 672, 682, D21/684, 694; D27/101, 148, 162, 163, D27/165, 167, 171, 172, 182, 183, 188, D27/192, 193, 194; D34/15, 27

CPC .. A45B 9/02; B65D 33/02; B25G 1/04; A45F 5/1026; G09F 21/049

See application file for complete search history.

(56) **References Cited**

**U.S. PATENT DOCUMENTS**

D339,892 S \* 9/1993 Wu ..... D34/15  
D466,786 S \* 12/2002 Bourgeois ..... D8/107  
D534,051 S \* 12/2006 Jackson ..... D8/107  
D535,544 S \* 1/2007 DeBaal ..... D8/303  
D547,159 S \* 7/2007 Porth ..... D8/303  
D621,121 S \* 8/2010 Maatz ..... D34/27  
D654,775 S \* 2/2012 Higashi ..... D8/303

D688,020 S \* 8/2013 Workman ..... D34/27  
D708,501 S \* 7/2014 Stefnitz ..... B25G 1/04  
D738,569 S \* 9/2015 Saide ..... D27/165  
D818,883 S \* 5/2018 Lundh ..... D12/133  
D834,480 S \* 11/2018 Manzoni ..... D12/195  
D842,675 S \* 3/2019 Raymond ..... D8/303  
D856,448 S \* 8/2019 Chuang ..... D21/694  
D881,672 S \* 4/2020 Christodoulou ..... D8/302  
D929,205 S \* 8/2021 Lessard ..... D8/303  
D934,654 S \* 11/2021 Alvarez ..... D8/303  
2006/0208515 A1 \* 9/2006 Murphy ..... B65D 33/02  
2010/0115809 A1 \* 5/2010 Pacheco ..... G09F 21/049  
2013/0180084 A1 \* 7/2013 Edson ..... A45B 9/02  
294/137  
40/318  
16/430

\* cited by examiner

*Primary Examiner* — Kevin K Rudzinski

*Assistant Examiner* — Jerry Shiu-an-Hua Hsu

(74) *Attorney, Agent, or Firm* — Pasadena Legal Group; Norman R. Van Treeck

(57) **CLAIM**

The ornamental design of an automobile passenger grab handle, as shown and described.

**DESCRIPTION**

FIG. 1 is a front perspective view of an automobile passenger grab handle according to my new design;

FIG. 2 is a top view thereof;

FIG. 3 is a bottom view thereof;

FIG. 4 is a left side view thereof;

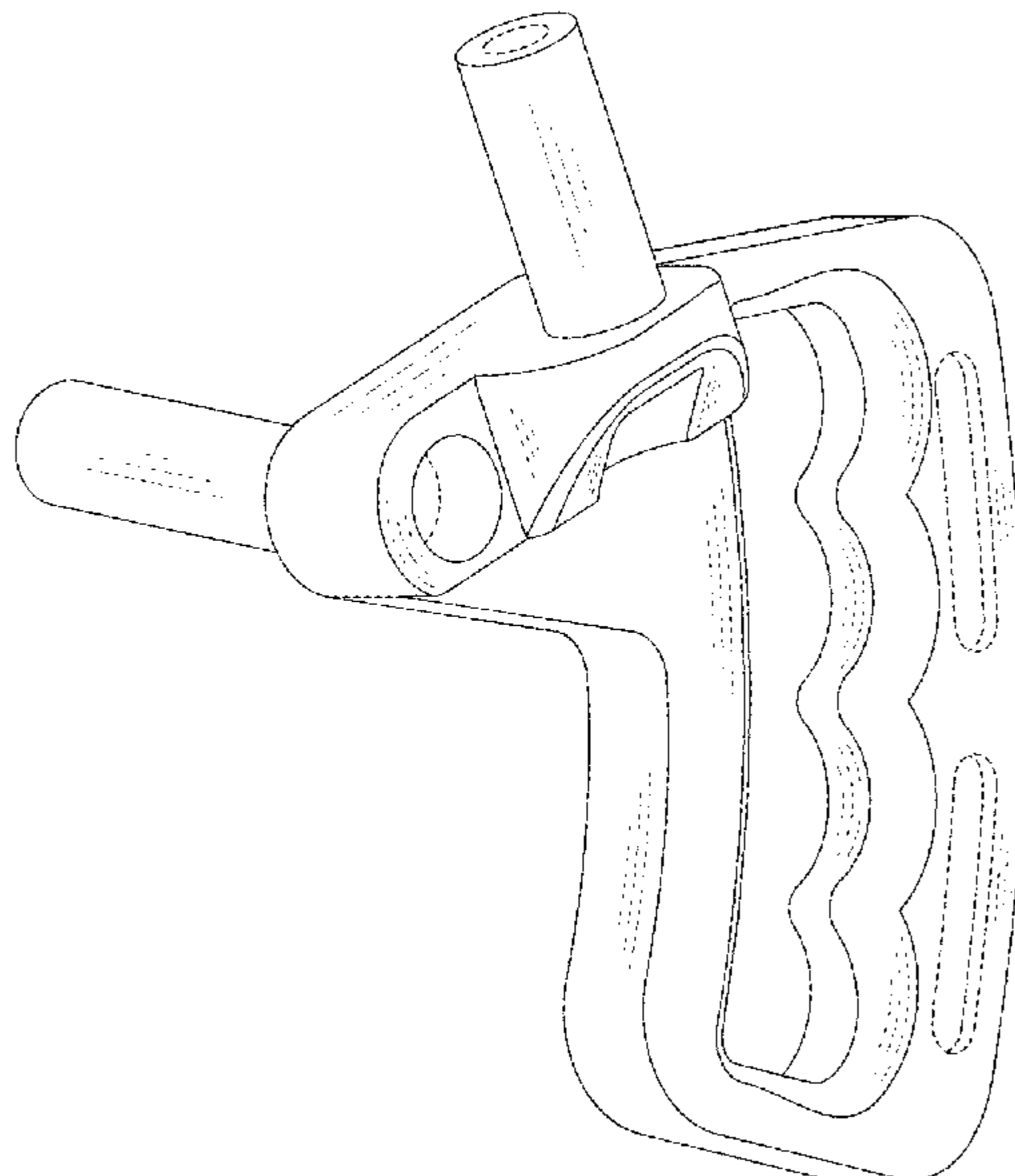
FIG. 5 is a right side view thereof;

FIG. 6 is a front end view thereof; and,

FIG. 7 is a rear end view thereof.

The broken lines shown in the drawings depict portions of the automobile passenger grab handle which form no part of the claimed design.

**1 Claim, 7 Drawing Sheets**



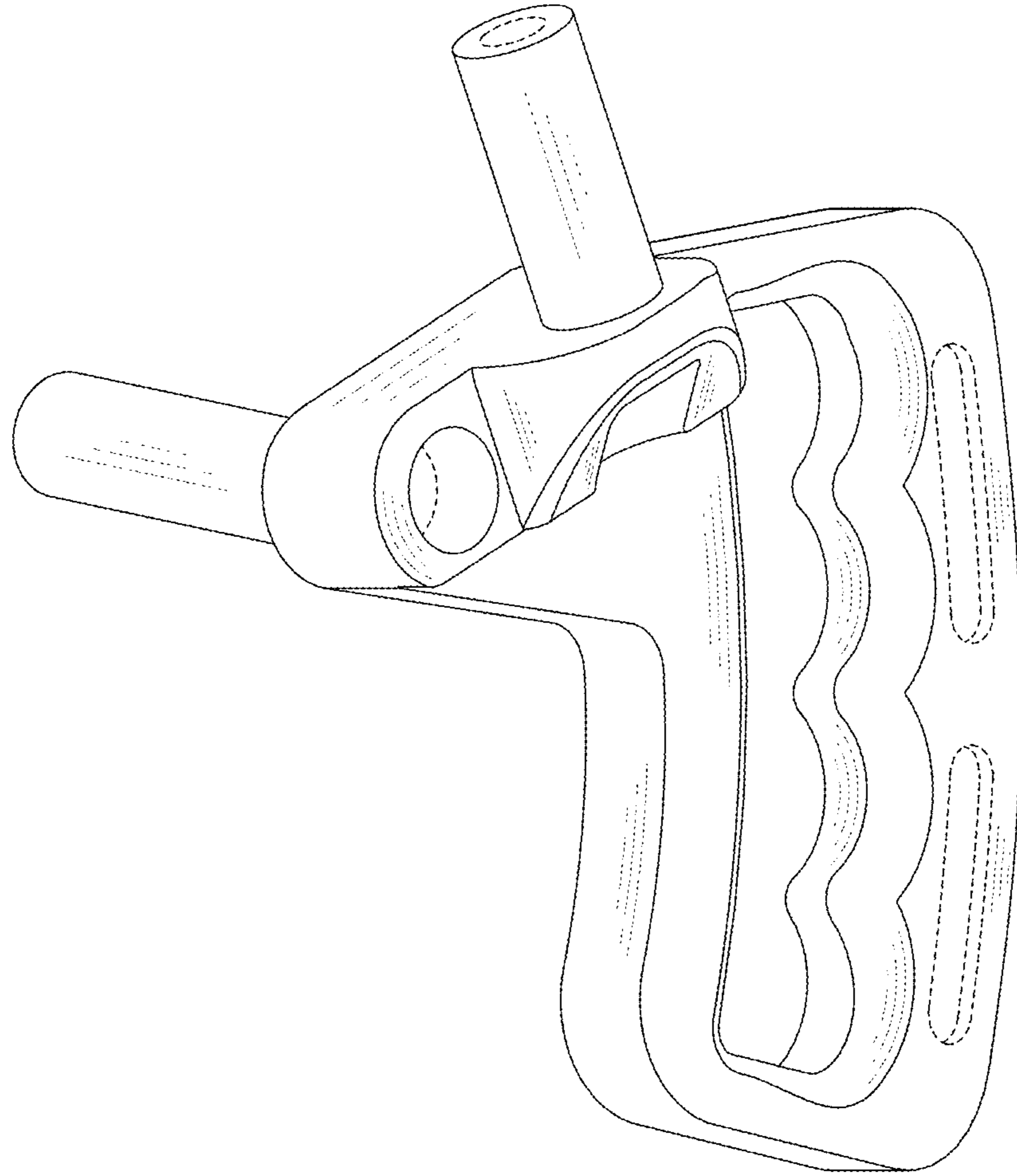


FIG. 1

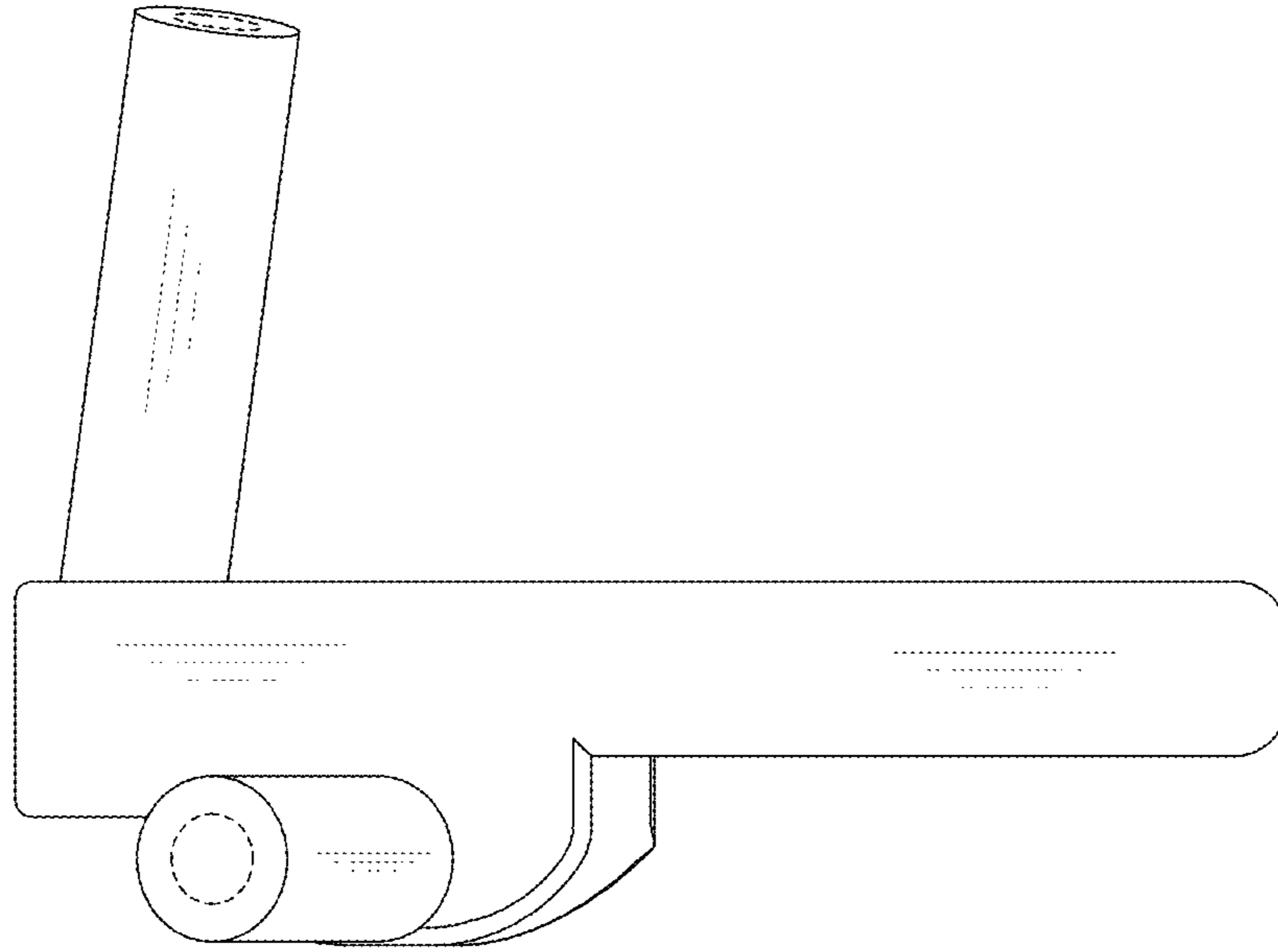


FIG. 2

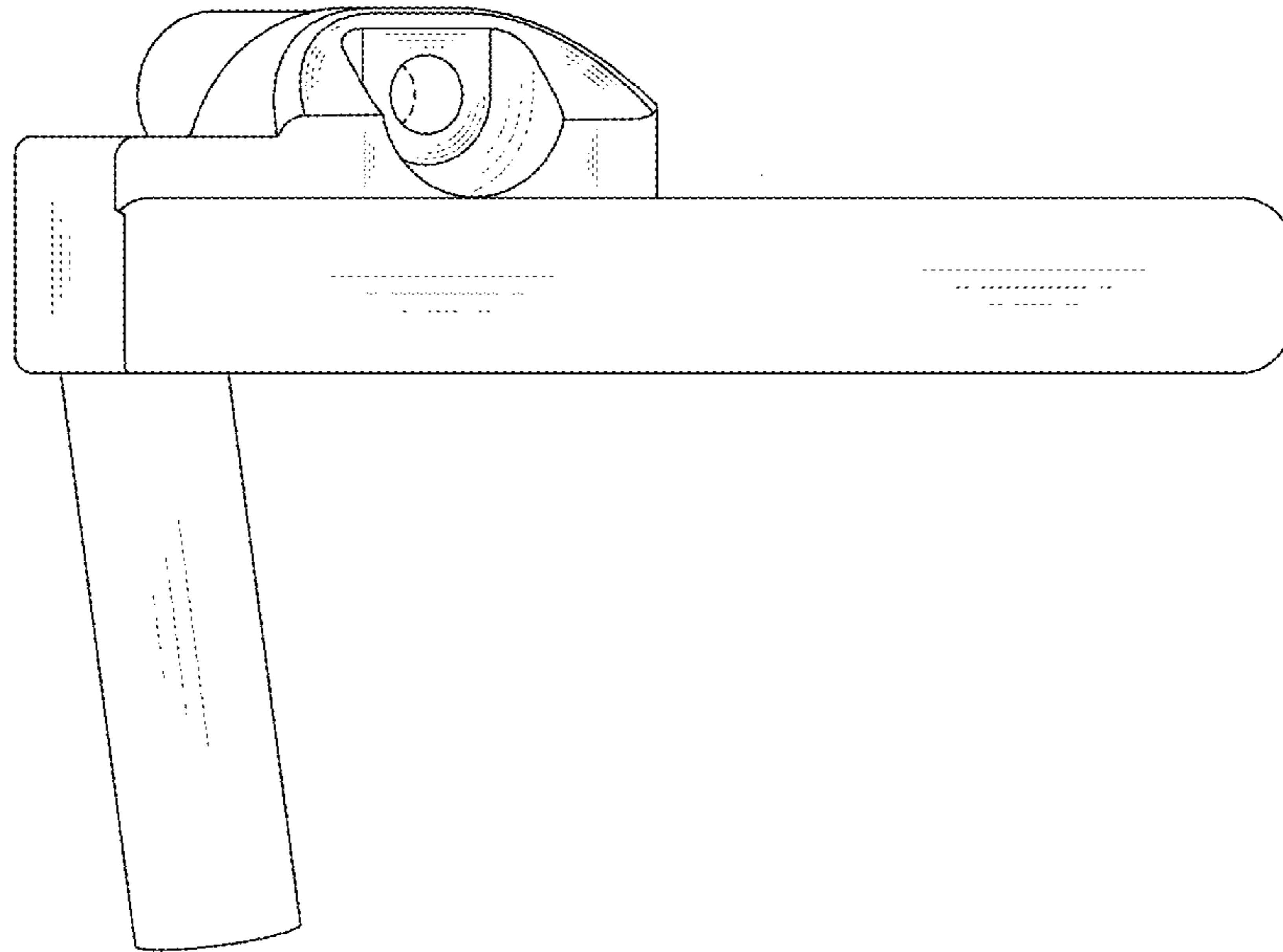


FIG. 3

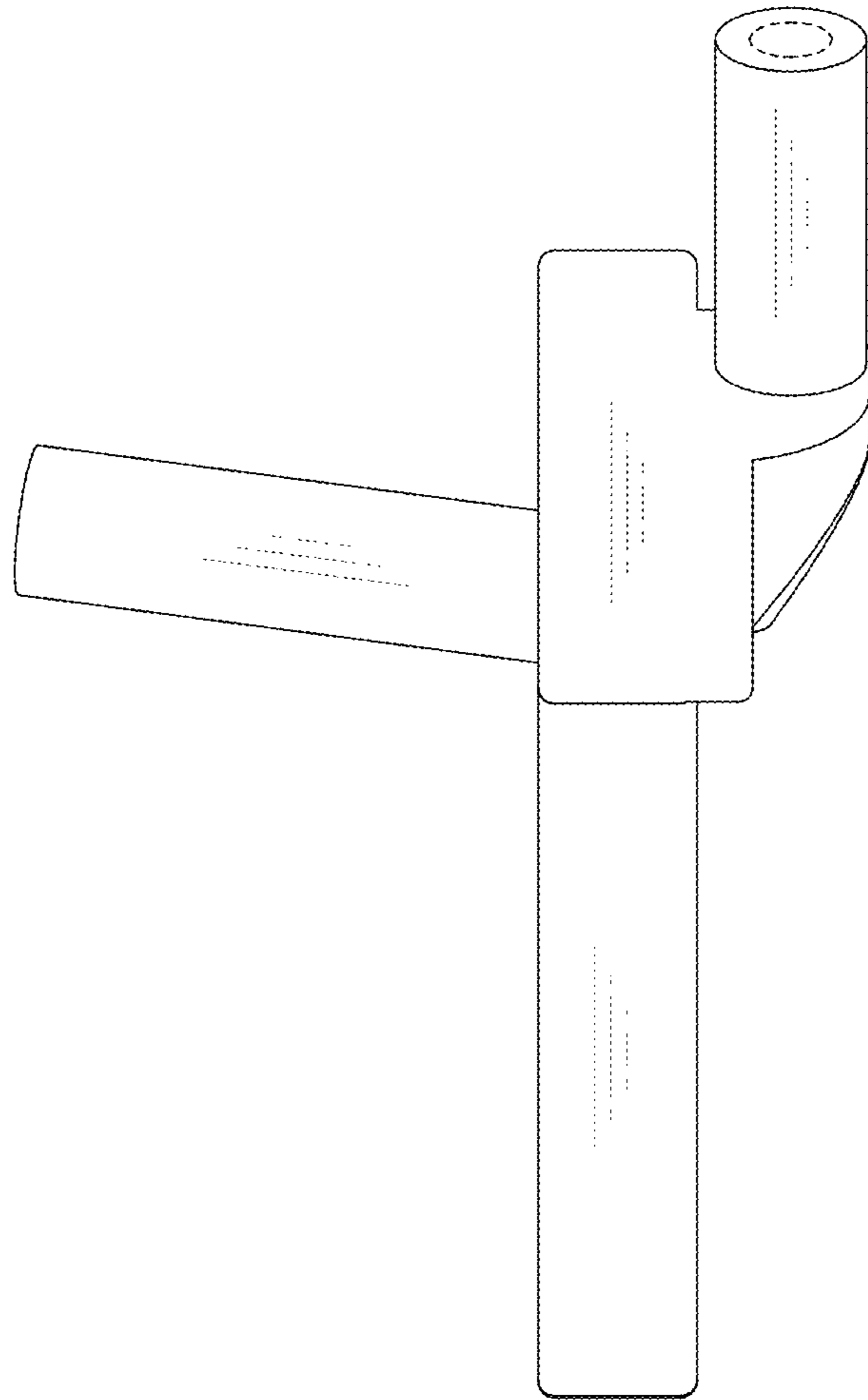


FIG. 4

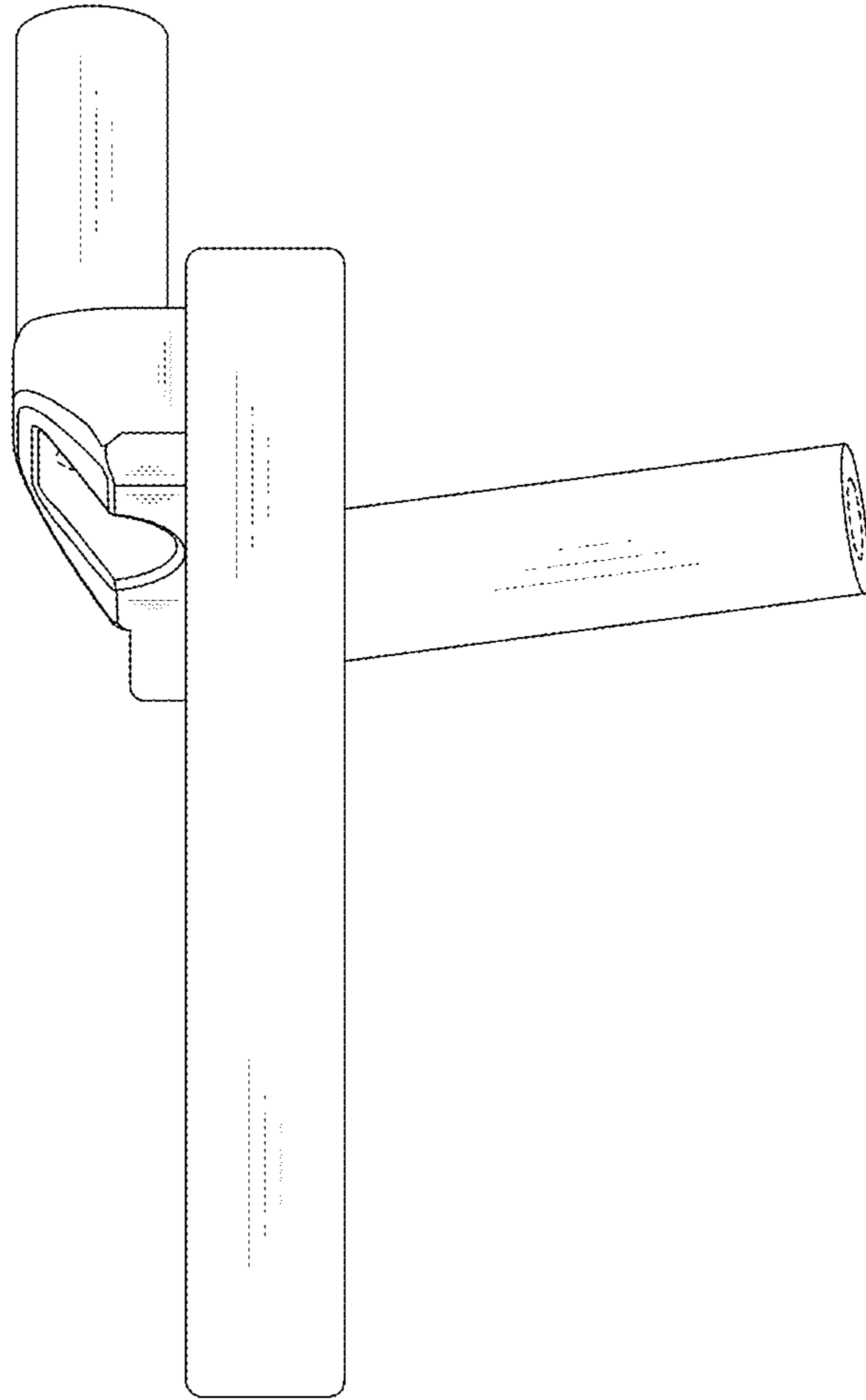


FIG. 5

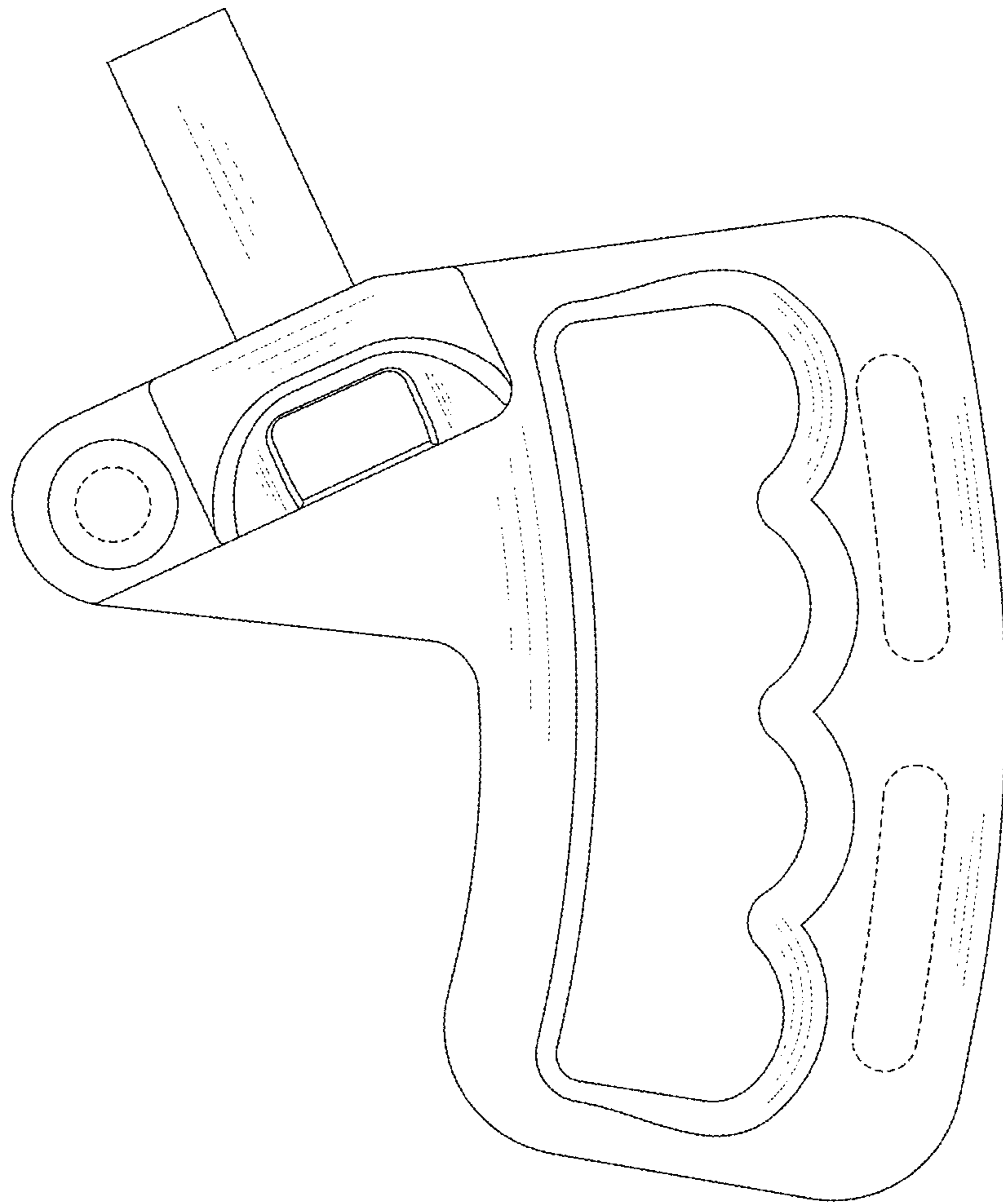


FIG. 6

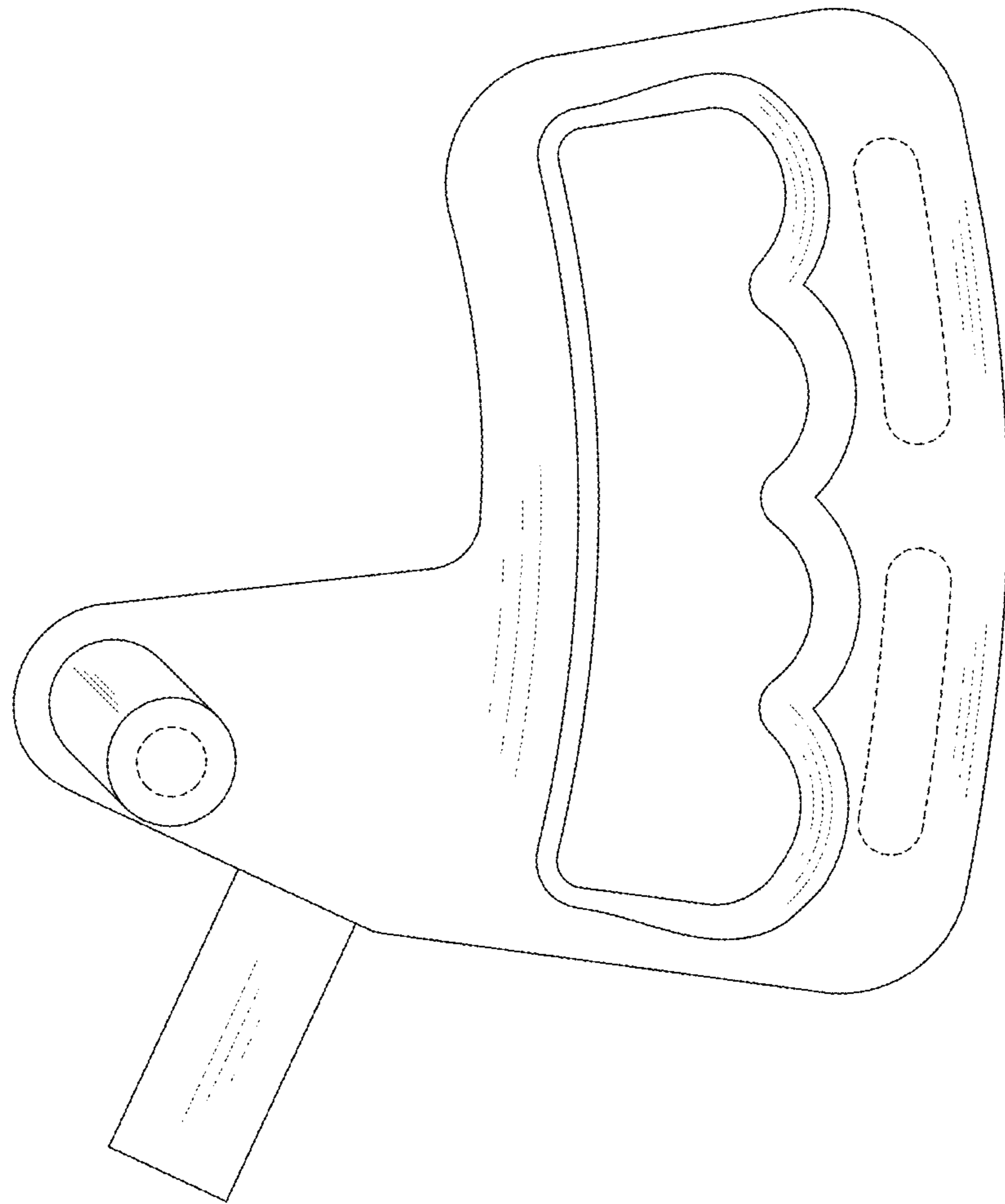


FIG. 7