



US00D980780S

(12) **United States Design Patent** (10) **Patent No.:** **US D980,780 S**
Schutterra et al. (45) **Date of Patent:** **** Mar. 14, 2023**

(54) **PERSONAL SERVICE UNIT**

OTHER PUBLICATIONS

(71) Applicant: **C&D Zodiac, Inc.**, Huntington Beach, CA (US)

International Search Report and Written Opinion issued in PCT/US2015/014658.

(72) Inventors: **Chris Schutterra**, Huntington Beach, CA (US); **Eric Heimbach**, Huntington Beach, CA (US)

Primary Examiner — Marissa J Cash
(74) *Attorney, Agent, or Firm* — Jeffer Mangels; Butler & Mitchell LLP; Brennan C. Swain, Esq.

(73) Assignee: **C&D ZODIAC, INC.**, Huntington Beach, CA (US)

(57) **CLAIM**

The ornamental design for a personal service unit, as shown and described.

(**) Term: **15 Years**

(21) Appl. No.: **29/724,303**

DESCRIPTION

(22) Filed: **Feb. 13, 2020**

Related U.S. Application Data

(60) Division of application No. 29/599,434, filed on Apr. 3, 2017, now Pat. No. Des. 875,641, which is a (Continued)

FIG. 1 is a perspective view of the present invention; FIG. 2 is a front elevational view of the present invention shown in FIG. 1; FIG. 3 is a rear elevational view of the present invention shown in FIG. 1; FIG. 4 is a right side elevational view of the present invention shown in FIG. 1; FIG. 5 is a left side elevational view of the present invention shown in FIG. 1; FIG. 6 is a bottom plan view of the present invention shown in FIG. 1; FIG. 7 is a perspective view of a second embodiment of the present invention; FIG. 8 is a front elevational view of the second embodiment of the present invention shown in FIG. 7; FIG. 9 is a rear elevational view of the second embodiment of the present invention shown in FIG. 7; FIG. 10 is a right side elevational view of the second embodiment of the present invention shown in FIG. 7; FIG. 11 is a left side elevational view of the second embodiment of the present invention shown in FIG. 7; and, FIG. 12 is a bottom plan view of the second embodiment of the present invention shown in FIG. 7. In the drawings, the broken lines depict portions of the personal service unit that form no part of the claimed design.

(51) **LOC (14) Cl.** **12-07**

(52) **U.S. Cl.**
USPC **D12/345**

(58) **Field of Classification Search**
USPC D12/1-4, 16.1, 319-345, 415, 417, 418, D12/423; D21/436-454
(Continued)

(56) **References Cited**

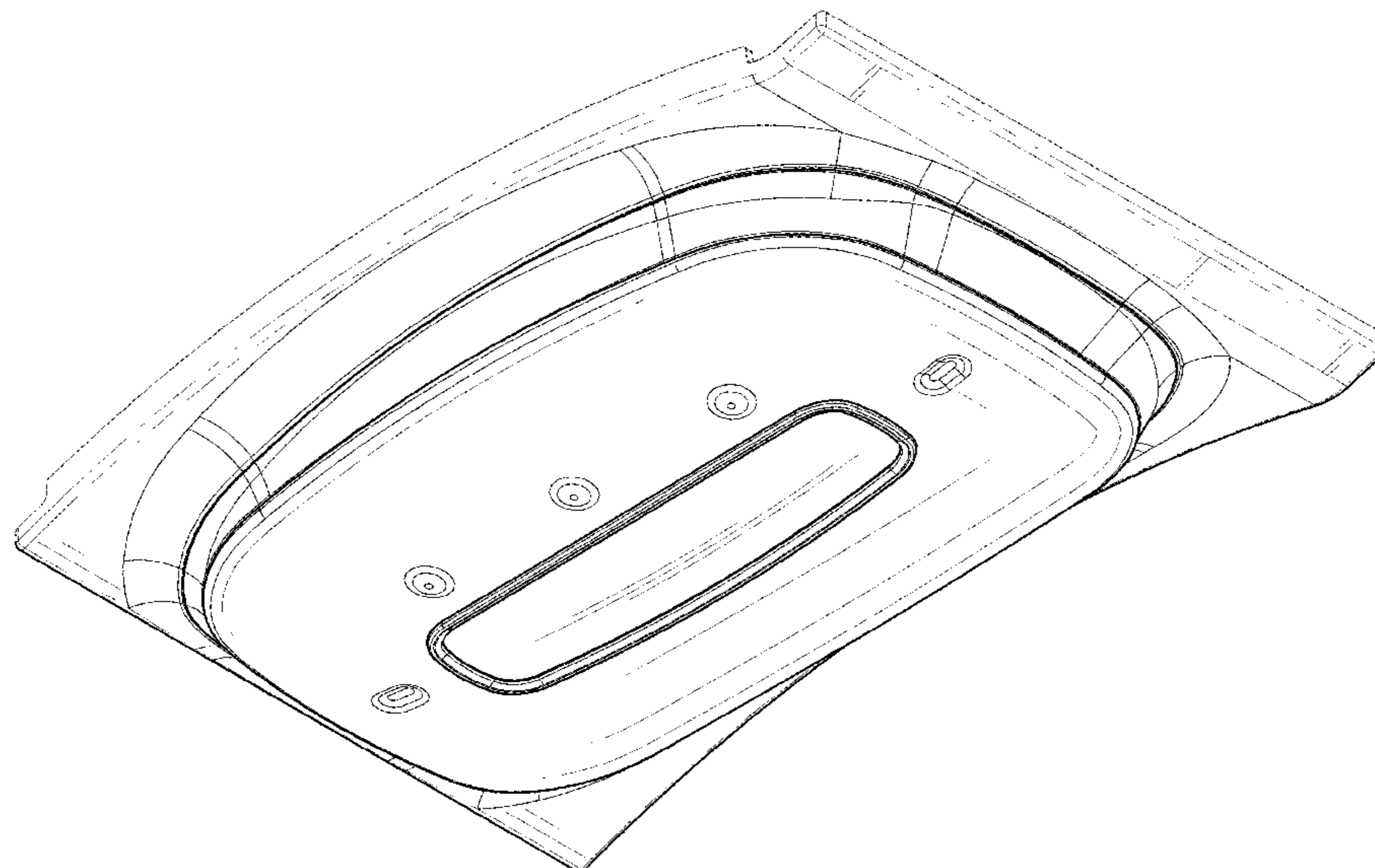
U.S. PATENT DOCUMENTS

D259,038 S 4/1981 Smith
4,637,642 A 1/1987 Stoecker
(Continued)

FOREIGN PATENT DOCUMENTS

EP 1299020 12/2005
WO 2010114057 10/2010

1 Claim, 12 Drawing Sheets



Related U.S. Application Data

continuation-in-part of application No. 29/592,592, filed on Jan. 31, 2017, now Pat. No. Des. 795,161, which is a division of application No. 29/516,455, filed on Feb. 2, 2015, now Pat. No. Des. 784,904.

(58) **Field of Classification Search**

CPC B64C 39/024; B64C 13/16; B64C 19/00; B64C 2201/021; B64C 2201/141; B60H 1/3442

See application file for complete search history.

(56) **References Cited**

U.S. PATENT DOCUMENTS

D296,043	S	6/1988	Iacovelli
5,108,048	A	4/1992	Chang
5,129,597	A	7/1992	Manthey et al.
D339,780	S	9/1993	Burdick
5,383,628	A	1/1995	Harriehausen et al.
5,422,794	A	6/1995	Drake
D363,773	S	10/1995	Nishizawa
5,456,529	A	10/1995	Cheung
D373,184	S	8/1996	Nishizawa
5,567,028	A	10/1996	Lutovsky et al.
D376,343	S	12/1996	Alcocer
5,651,733	A	7/1997	Schumacher
5,685,637	A	11/1997	Chapman
5,709,460	A	1/1998	Lester
5,823,472	A	10/1998	Luria
5,921,670	A	7/1999	Schumacher et al.
5,934,615	A	8/1999	Treichler et al.
6,045,204	A	4/2000	Frazier et al.
D444,443	S	7/2001	Wilson
6,315,436	B1	11/2001	Schenk et al.
6,338,517	B1	1/2002	Canni et al.
6,350,048	B1	2/2002	Stanton et al.
D455,390	S	4/2002	Granzeier
6,402,354	B1	6/2002	Tatewaki et al.
6,494,404	B1	12/2002	Meyer
6,550,878	B2	4/2003	Nott
6,574,835	B2	6/2003	Melhuish
6,634,061	B1	10/2003	Maynard
6,886,781	B2	5/2005	Lau et al.
D537,520	S	2/2007	Nishizawa
7,258,406	B2	8/2007	Stephan et al.
D558,124	S	12/2007	Vitito
7,380,752	B2	6/2008	Guard et al.
D575,724	S	8/2008	Tsay et al.

7,422,352	B2	9/2008	Sakakibara
D578,454	S	10/2008	Wyszogrod et al.
D583,749	S	12/2008	Aruga et al.
7,494,255	B2	2/2009	Bryan et al.
D589,421	S	3/2009	Tupinier
D590,764	S	4/2009	Yu
D592,585	S	5/2009	Moburg
D600,622	S	9/2009	Schuephaus et al.
D600,623	S	9/2009	Fiedler
D600,624	S	9/2009	Fiedler
D624,481	S	9/2010	Schuephaus et al.
D624,482	S	9/2010	Schuephaus et al.
D624,483	S	9/2010	Schuephaus et al.
D628,529	S	12/2010	Fiedler et al.
7,896,530	B2	3/2011	Budinger et al.
7,966,696	B2	6/2011	Krammer
7,992,928	B2	8/2011	Kimizuka et al.
8,011,618	B2	9/2011	Bock
8,136,897	B2	3/2012	Mascari
D669,013	S	10/2012	Schreuder
D673,892	S	1/2013	Stephan et al.
8,517,308	B2	8/2013	Schneider
D690,255	S	9/2013	Schutterra et al.
D706,706	S	6/2014	Schutterra et al.
D753,869	S	4/2016	Prijic
D784,904	S	4/2017	Schutterra et al.
D788,017	S	5/2017	Smallhorn
D795,161	S	8/2017	Schutterra et al.
D821,947	S	7/2018	Kasparian et al.
D843,888	S	3/2019	Wang
D875,641	S *	2/2020	Schutterra D12/345
2003/0046792	A1	3/2003	Thorn et al.
2004/0213005	A1	10/2004	Kohlmeier-Beckmann et al.
2006/0175368	A1	8/2006	Fallis
2006/0207471	A1	9/2006	Todori et al.
2007/0053188	A1	3/2007	New et al.
2007/0057576	A1	3/2007	Lee
2007/0097681	A1	5/2007	Chich et al.
2008/0078871	A1	4/2008	Munson et al.
2008/0112155	A1	5/2008	Scown et al.
2008/0112754	A1	5/2008	Schmitz et al.
2010/0206985	A1	8/2010	Rahlff
2011/0139929	A1	6/2011	Young et al.
2011/0163697	A1	7/2011	Mizukami et al.
2011/0240796	A1	10/2011	Schneider
2011/0253837	A1	10/2011	Lee et al.
2011/0310556	A1	12/2011	Schmid et al.
2012/0012707	A1	1/2012	Schliwa
2012/0038254	A1	2/2012	Rafler

* cited by examiner

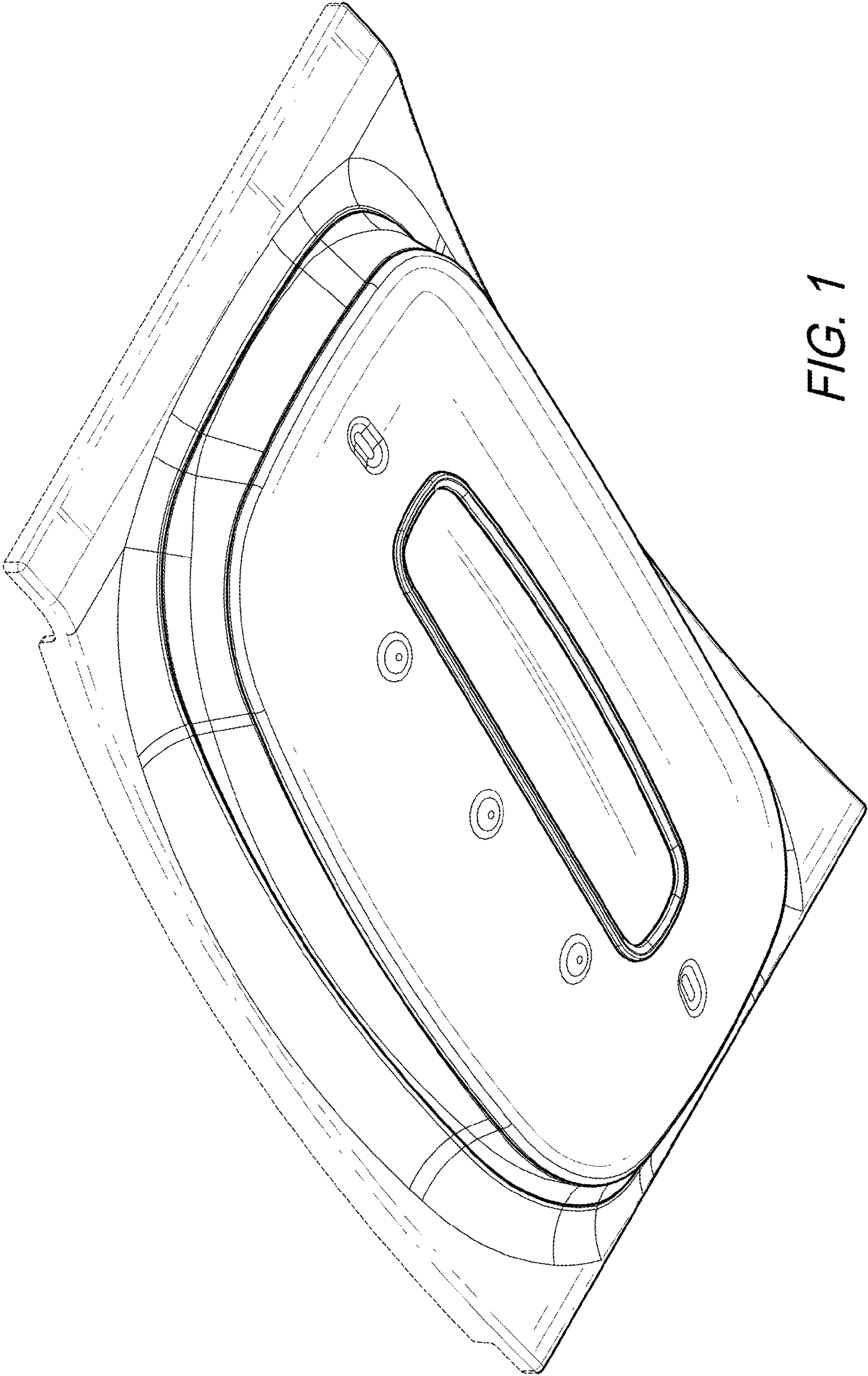


FIG. 1

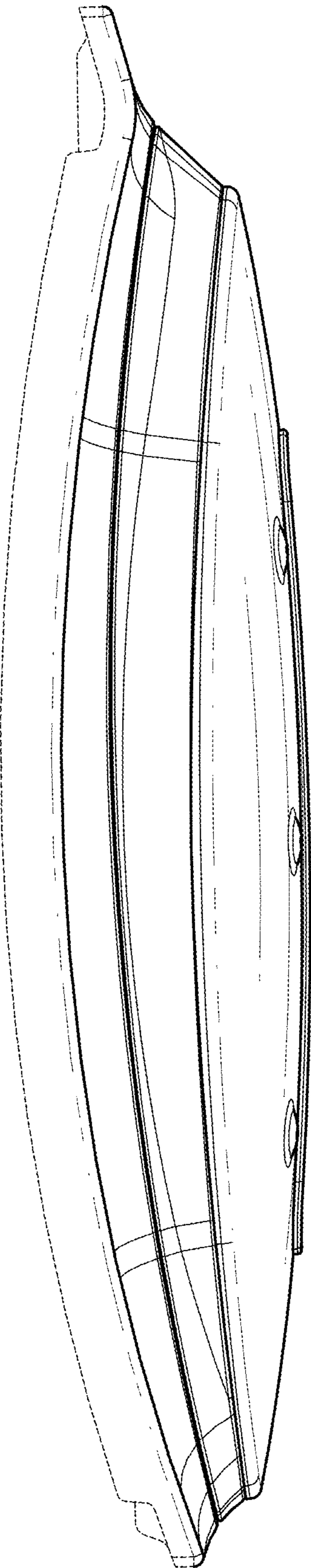


FIG. 2

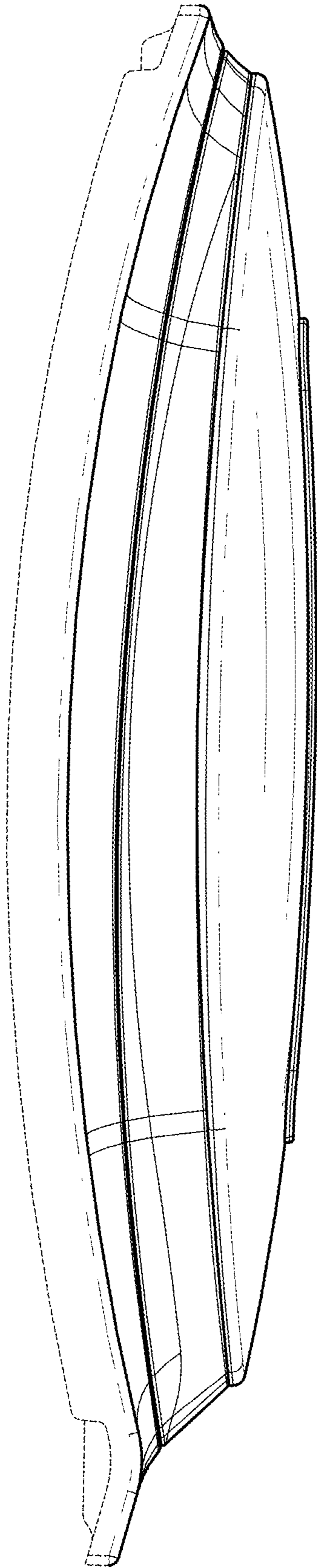


FIG. 3



FIG. 4

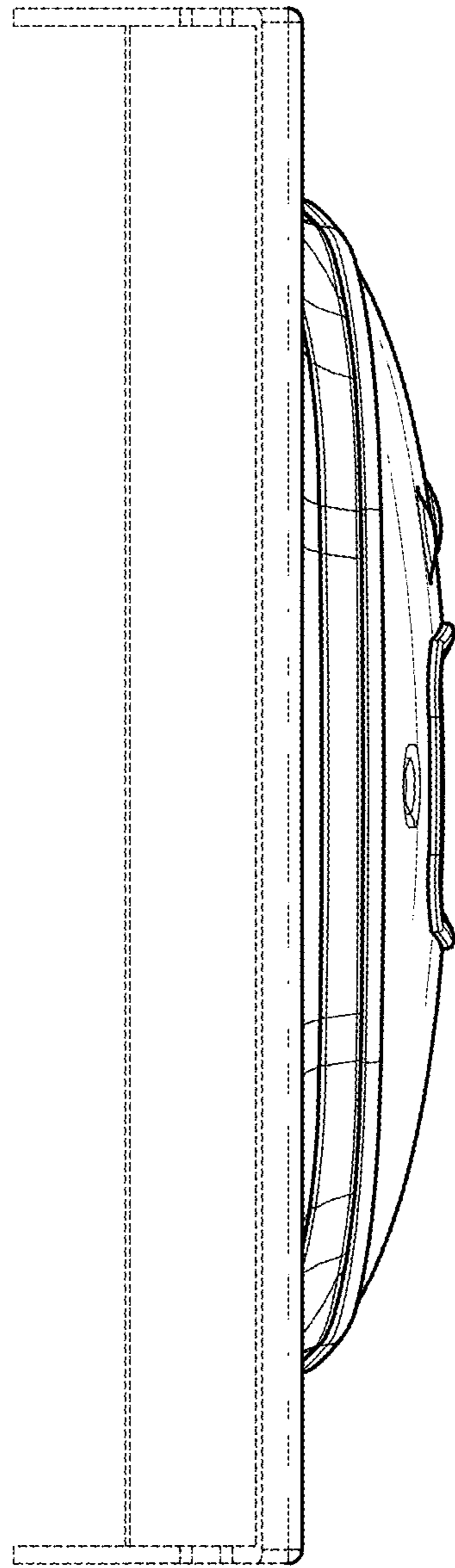


FIG. 5

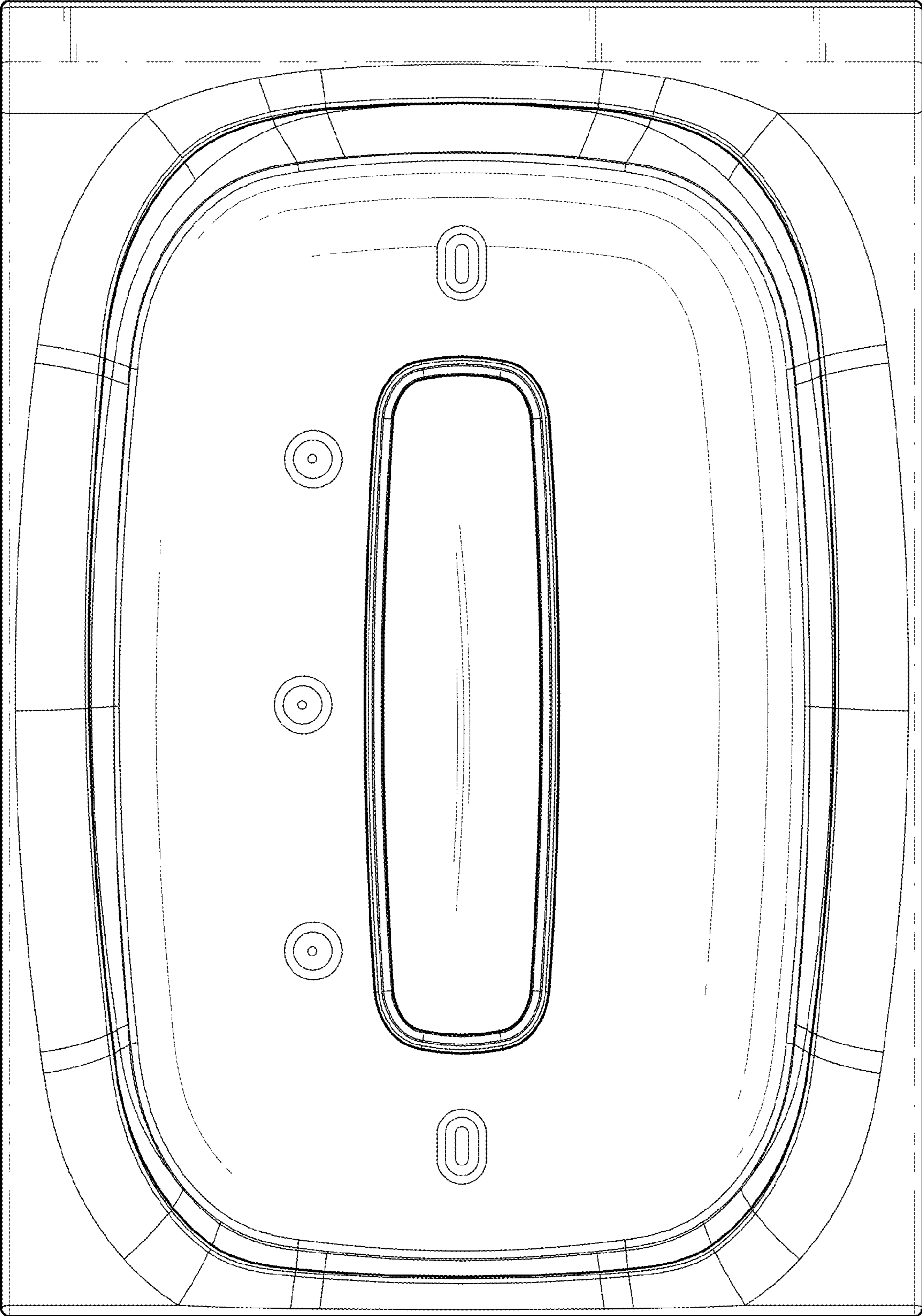


FIG. 6

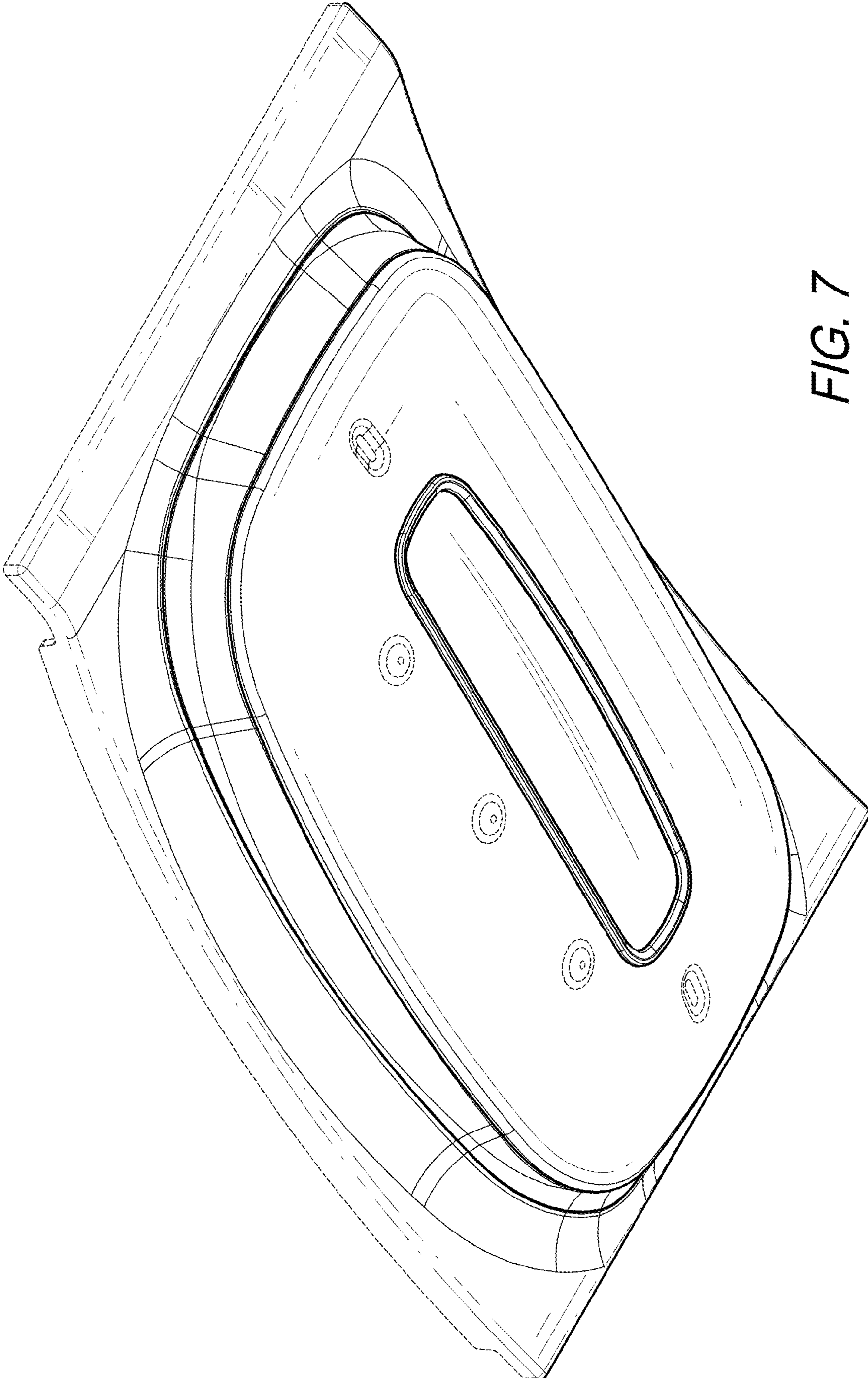


FIG. 7

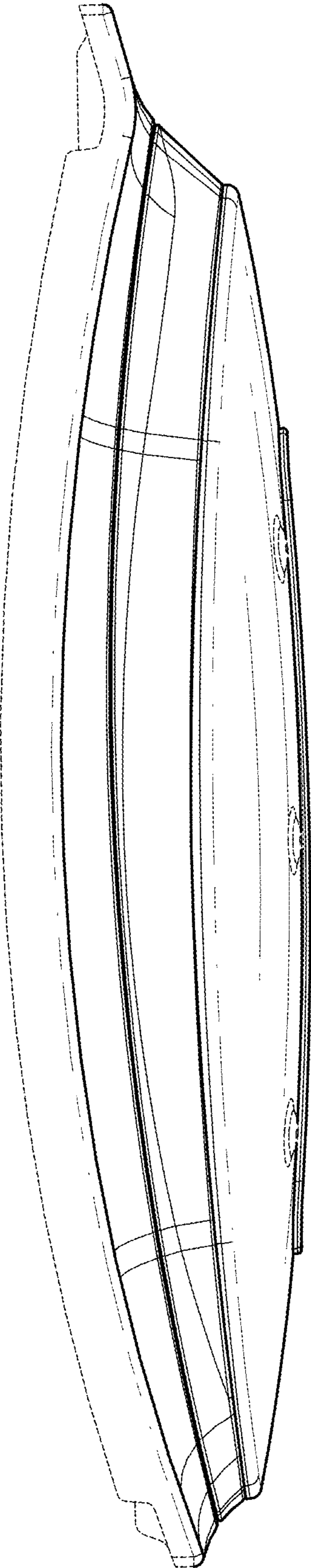


FIG. 8

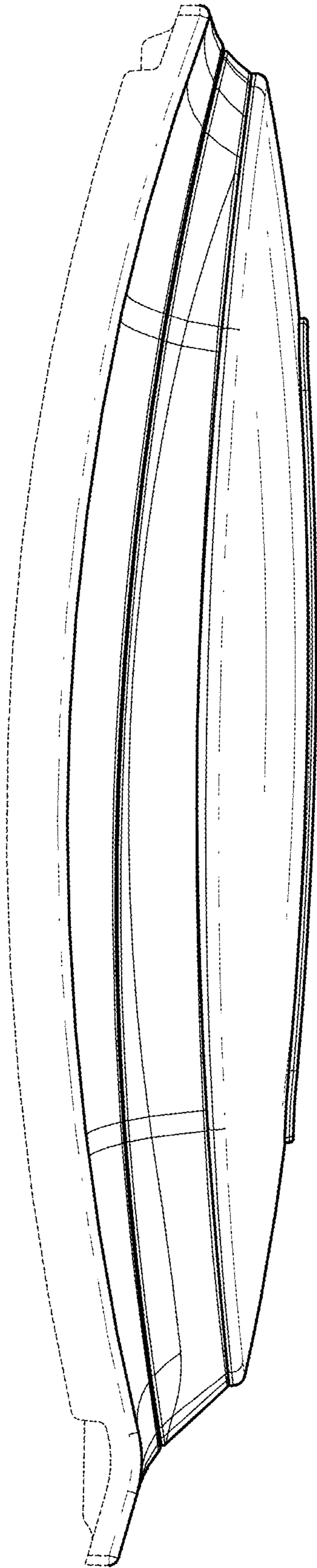


FIG. 9

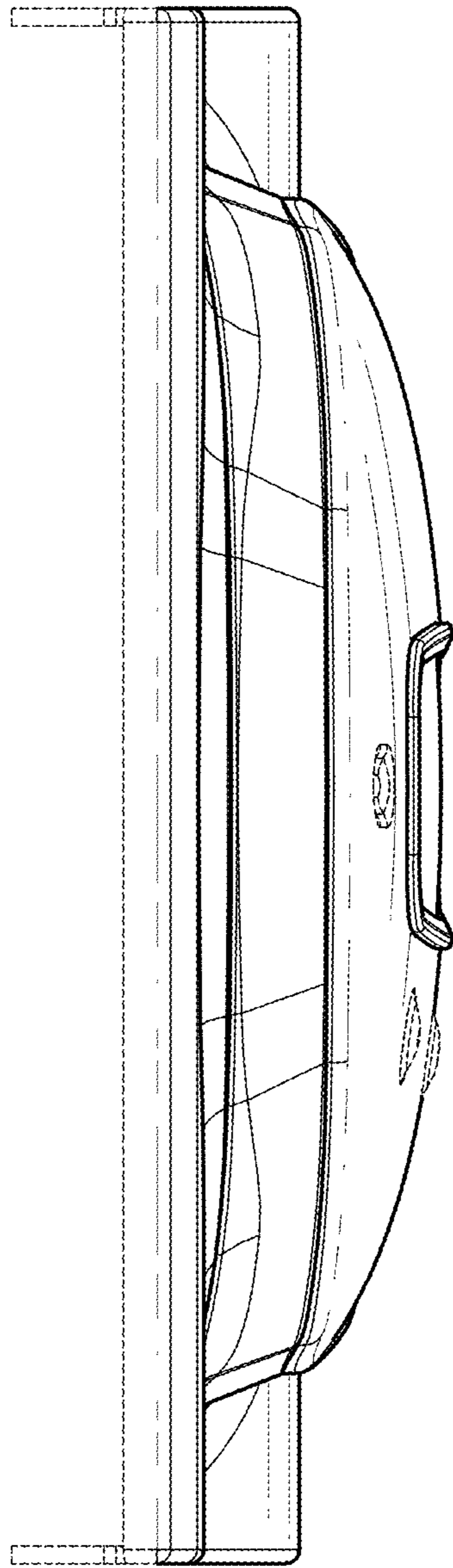


FIG. 10

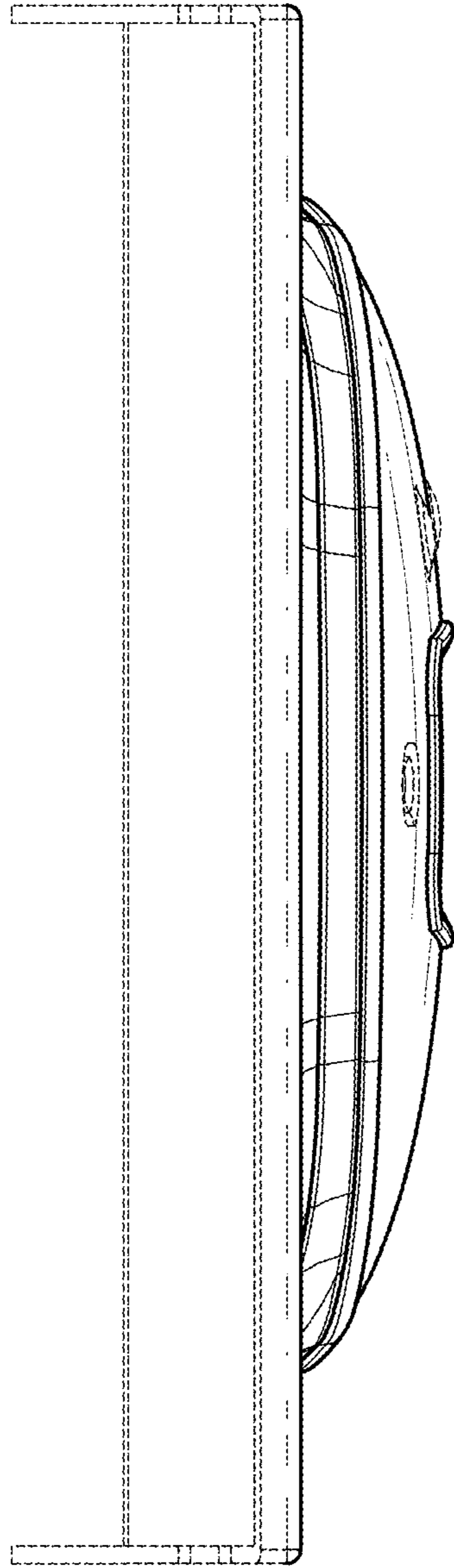


FIG. 11

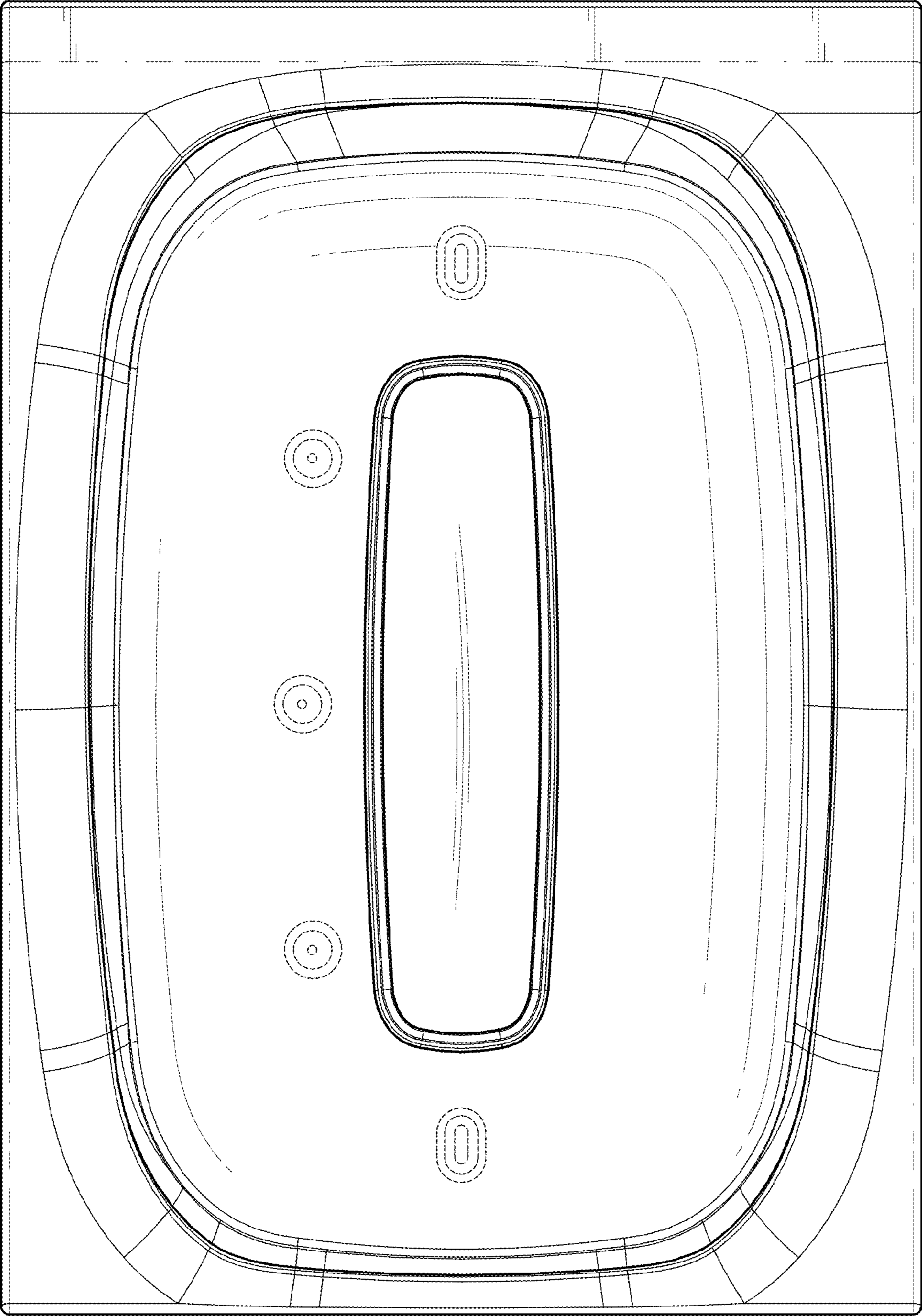


FIG. 12