



US00D980777S

(12) **United States Design Patent**
Enyart

(10) **Patent No.:** **US D980,777 S**

(45) **Date of Patent:** **** Mar. 14, 2023**

(54) **BOAT HULL**

(71) Applicant: **William Eugene Enyart**, Lafayette, CO (US)

(72) Inventor: **William Eugene Enyart**, Lafayette, CO (US)

(73) Assignee: **IDLEWILD, LIMITED LLC**, Lafayette, CO (US)

(**) Term: **15 Years**

(21) Appl. No.: **29/700,709**

(22) Filed: **Aug. 5, 2019**

(51) **LOC (14) Cl.** **12-06**

(52) **U.S. Cl.**
USPC **D12/310**

(58) **Field of Classification Search**
USPC D12/300, 304, 310, 317
CPC B63B 35/34; B63B 35/36; B63B 35/38;
B63B 1/10; B63B 1/12; B63B 1/121;
B63B 1/125; B63B 1/042; B63B
2001/206
See application file for complete search history.

(56) **References Cited**

U.S. PATENT DOCUMENTS

3,046,926 A * 7/1962 Miller B63B 1/042
114/61.2
4,870,919 A * 10/1989 Allison B63B 1/12
114/288

D326,839 S * 6/1992 LaPointe D12/300
D356,288 S * 3/1995 Walls D12/300
D401,546 S * 11/1998 Boris D12/304
D402,618 S * 12/1998 Veazey D12/310
D438,506 S * 3/2001 Munson D12/300
D544,045 S * 6/2007 Hamasaki D21/542
D739,331 S * 9/2015 Munson D12/310
D775,054 S * 12/2016 Lakin D12/300
D833,955 S * 11/2018 Orneblad D12/311
2017/0305509 A1 * 10/2017 Sporing B63B 35/38
2019/0291830 A1 * 9/2019 Gremminger B63B 1/121
2021/0107605 A1 * 4/2021 Enyart B63B 1/125

* cited by examiner

Primary Examiner — Cynthia M. Chin

(74) *Attorney, Agent, or Firm* — Holland & Hart LLP

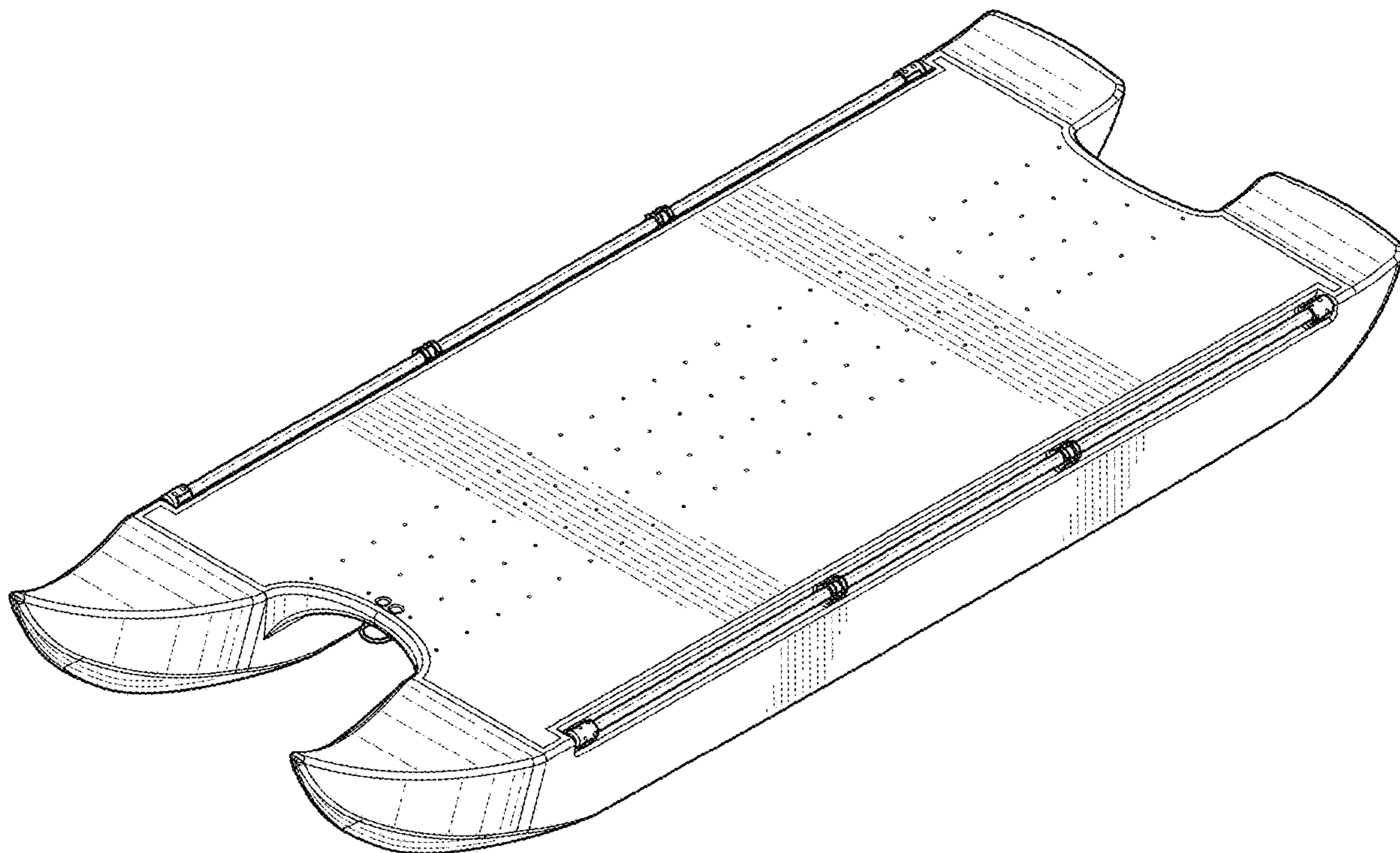
(57) **CLAIM**

The ornamental design for a boat hull, as shown and described.

DESCRIPTION

FIG. 1 illustrates a perspective view of a boat hull.
FIG. 2 illustrates a top view of a boat hull.
FIG. 3 illustrates a bottom view of a boat hull.
FIG. 4 illustrates a left-side view of a boat hull.
FIG. 5 illustrates a right-side view of a boat hull.
FIG. 6 illustrates a front view of a boat hull; and,
FIG. 7 illustrates a rear view of a boat hull.
The broken lines are for the purpose of illustrating portions of the boat hull that form no part of the claimed design.

1 Claim, 5 Drawing Sheets



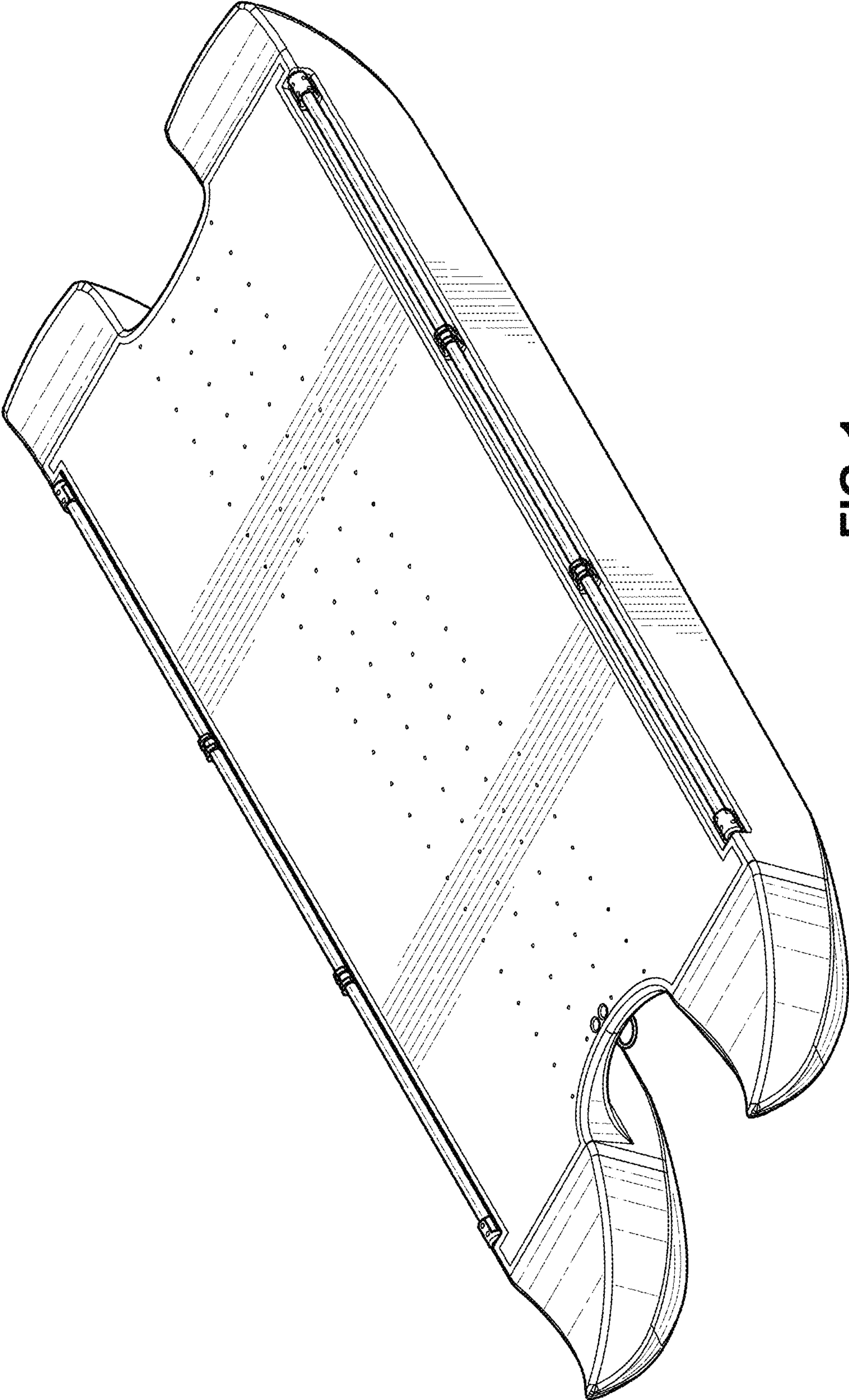


FIG. 1

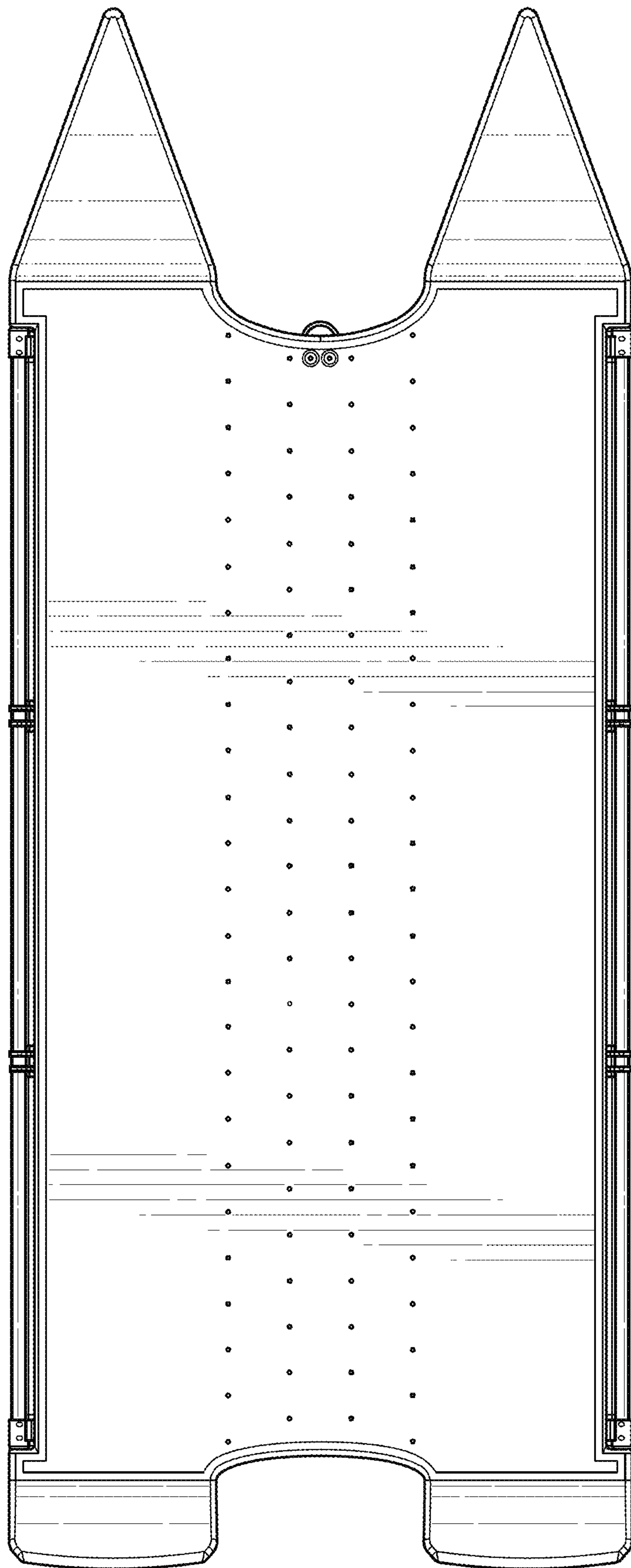


FIG. 2

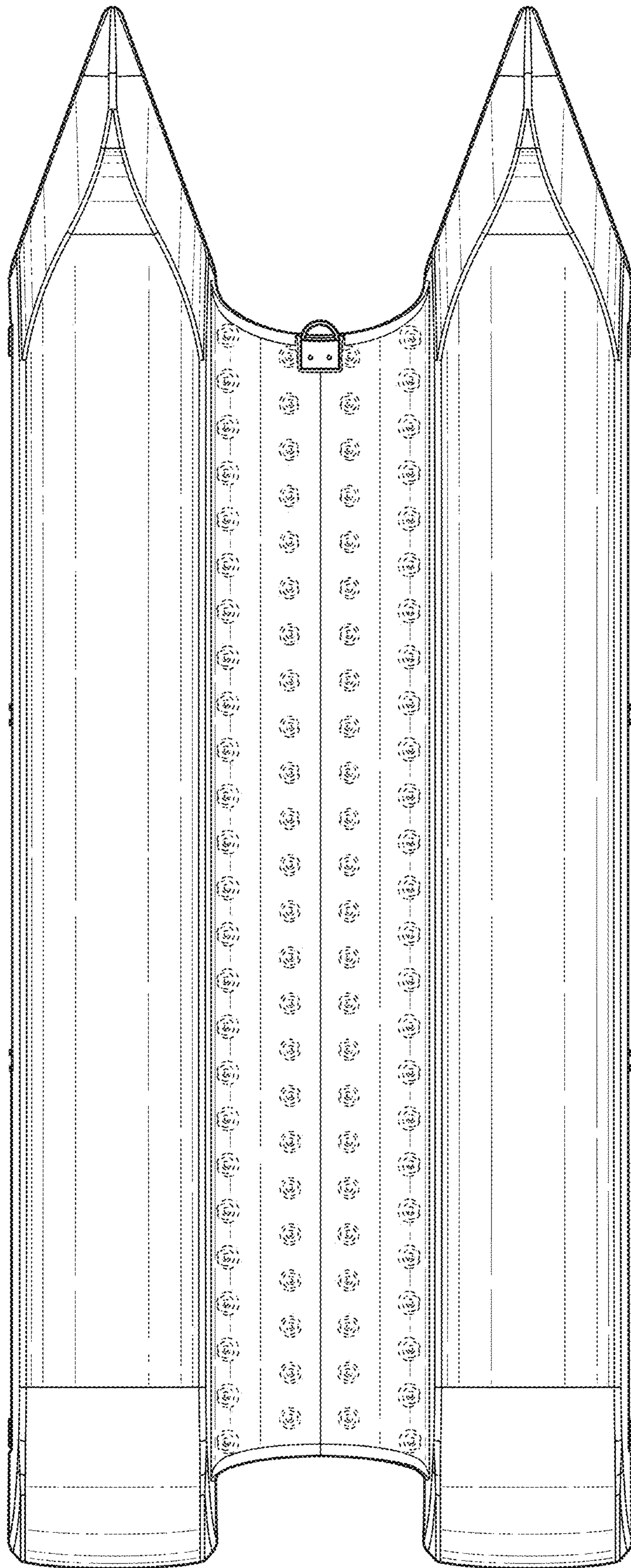


FIG. 3

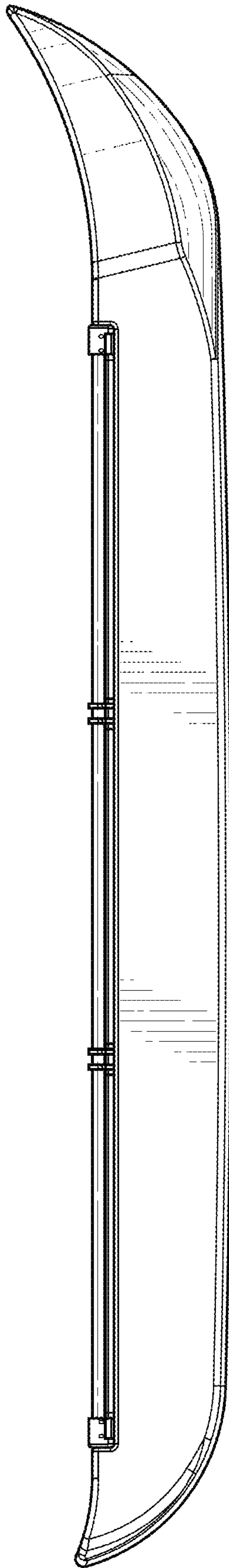


FIG. 4

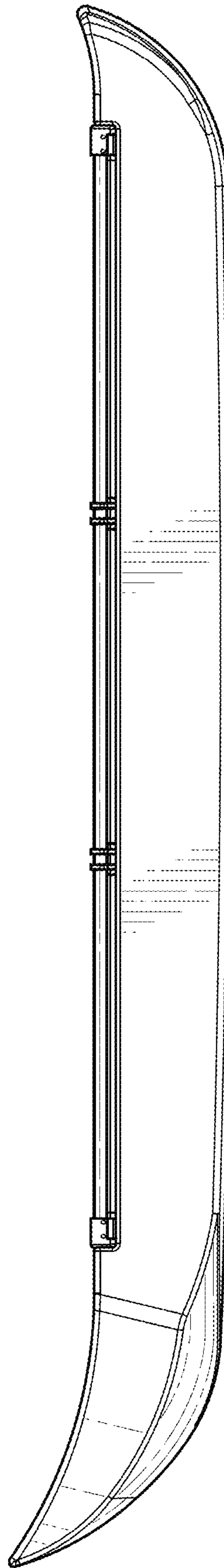


FIG. 5

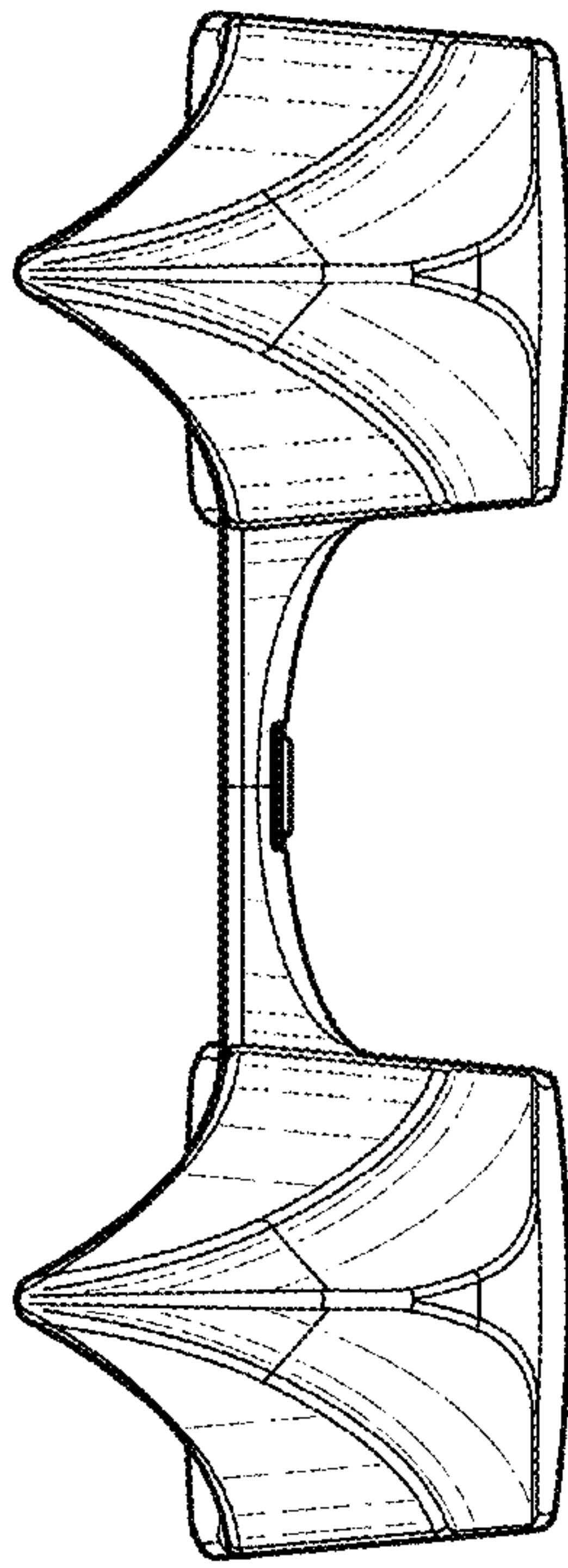


FIG. 6

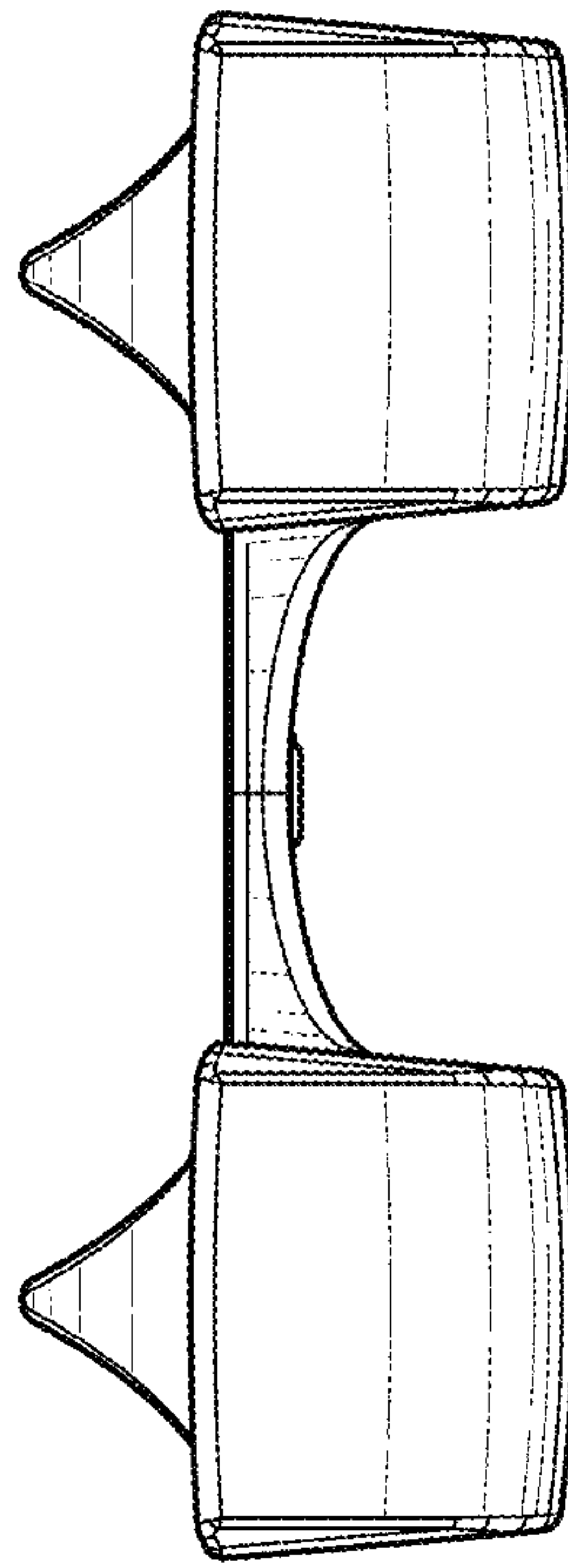


FIG. 7