



US00D980775S

(12) **United States Design Patent** (10) **Patent No.:** **US D980,775 S**  
**Manzoni** (45) **Date of Patent:** **\*\* Mar. 14, 2023**

(54) **VEHICLE WHEEL RIM**

(56) **References Cited**

(71) Applicant: **Ferrari S.p.A.**, Modena (IT)  
(72) Inventor: **Flavio Manzoni**, Maranello (IT)  
(73) Assignee: **FERRARI S.p.A.**, Modena (IT)  
(\*\*) Term: **15 Years**  
(21) Appl. No.: **29/718,708**  
(22) Filed: **Dec. 27, 2019**

U.S. PATENT DOCUMENTS

D791,668 S *	7/2017	Murase .....	D12/209
D815,009 S *	4/2018	Valencia Pollex .....	D12/209
D823,224 S *	7/2018	Nakamura .....	D12/211
D826,126 S *	8/2018	Valencia Pollex .....	D12/209
D840,321 S *	2/2019	Kikuchi .....	D12/211
D897,258 S *	9/2020	Lickliter .....	D12/209
D913,892 S *	3/2021	Ma .....	D12/209

\* cited by examiner

*Primary Examiner* — George D. Kirschbaum  
(74) *Attorney, Agent, or Firm* — Cowan, Liebowitz & Latman, P.C.; Anastasia Zhadina

**Related U.S. Application Data**

(62) Division of application No. 35/506,306, filed on Jul. 18, 2018 (U.S. filing date under 35 U.S.C. 384), and having an international filing date of Jul. 18, 2018, now Pat. No. Des. 889,326.

(57) **CLAIM**

The ornamental design for vehicle wheel rim, as shown and described.

**DESCRIPTION**

(30) **Foreign Application Priority Data**

Jan. 19, 2018 (EM) ..... 004672921

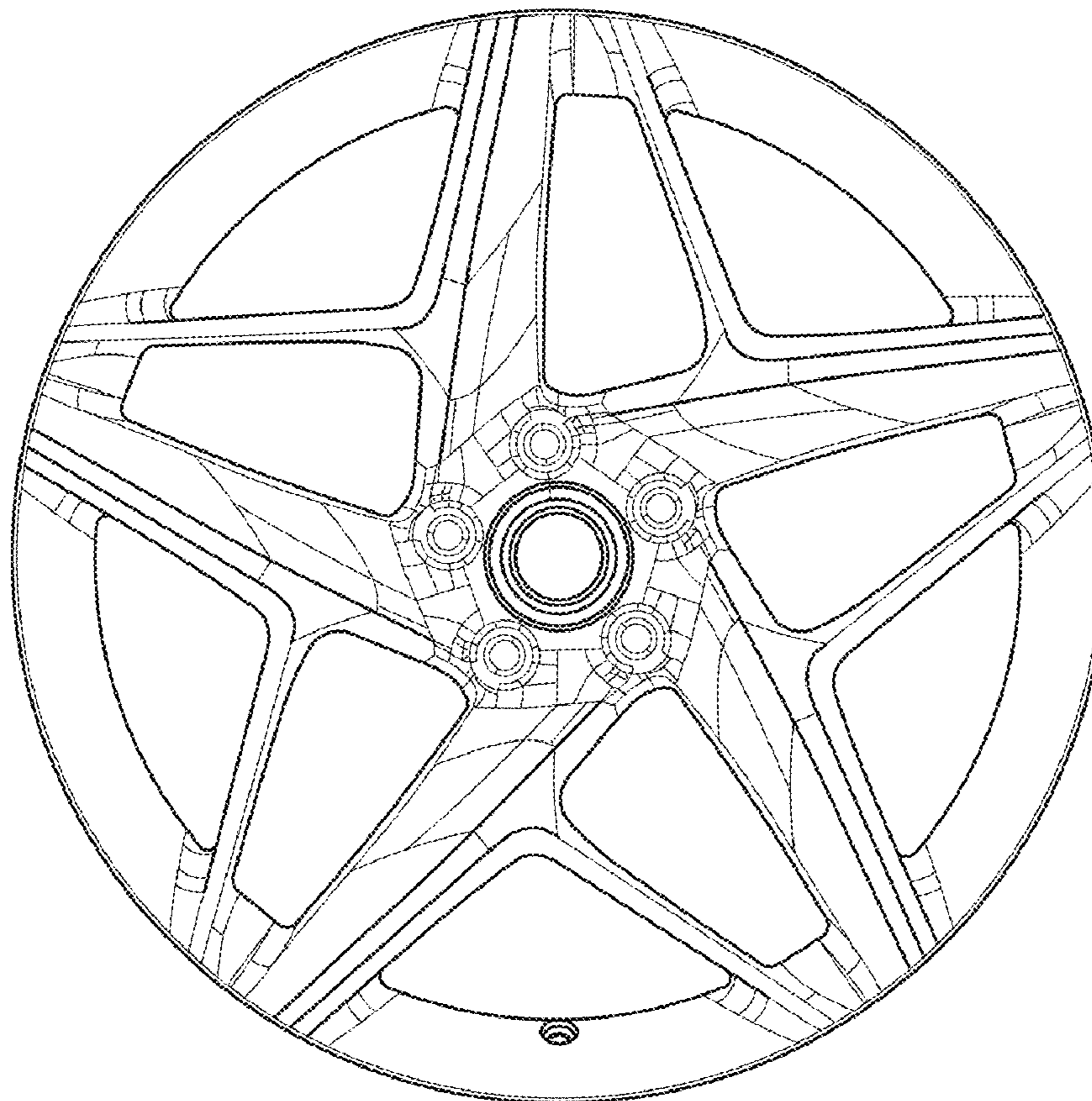
(51) **LOC (14) Cl.** ..... **12-16**

(52) **U.S. Cl.**  
USPC ..... **D12/211**

(58) **Field of Classification Search**  
USPC ..... D12/209, 211  
See application file for complete search history.

FIG. 1 is a front perspective view;  
FIG. 2 is a front view thereof;  
FIG. 3 is a back view thereof;  
FIG. 4 is a right view thereof;  
FIG. 5 is a left view thereof;  
FIG. 6 is a top view thereof; and,  
FIG. 7 is a bottom view thereof.

**1 Claim, 7 Drawing Sheets**



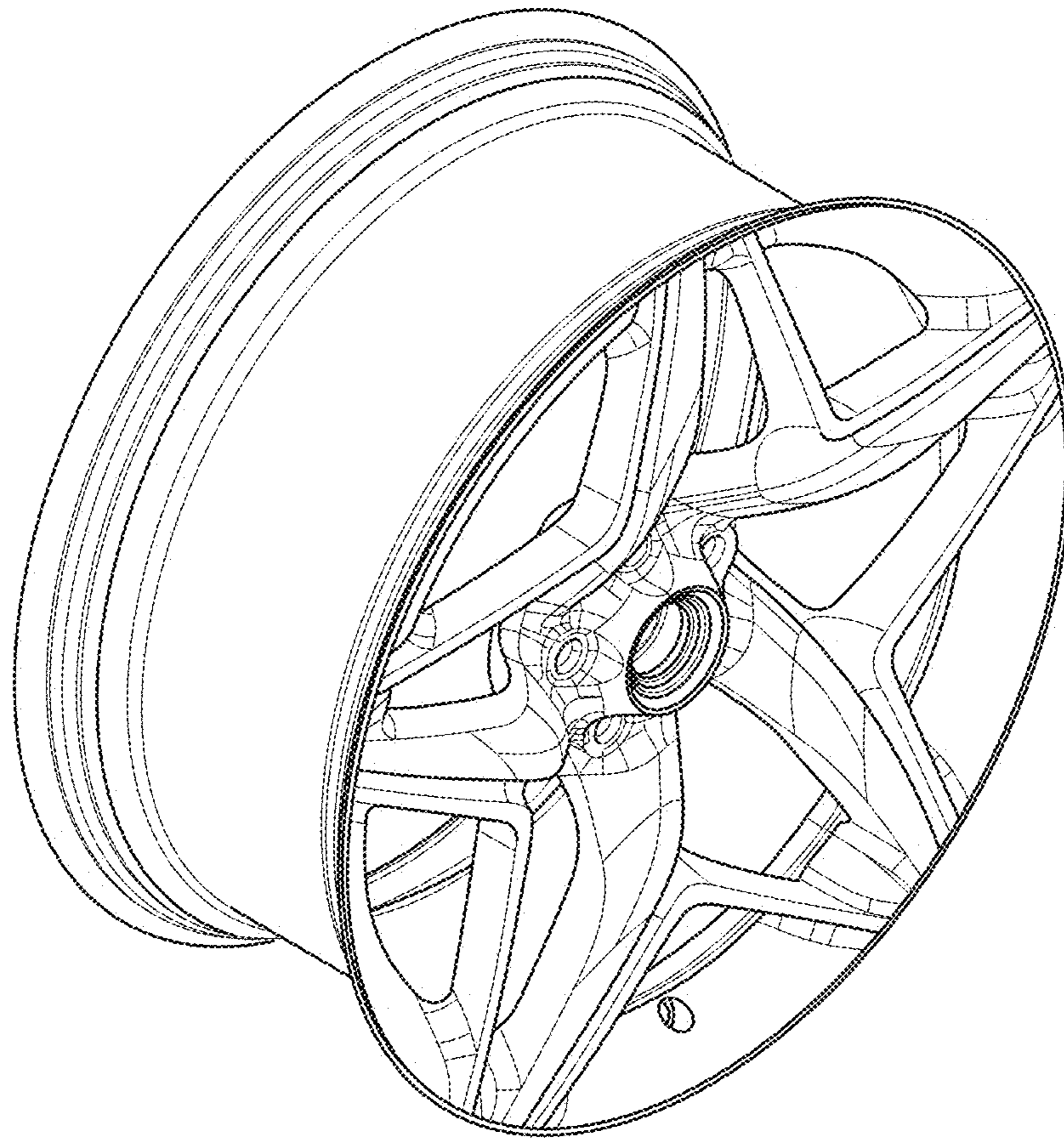


FIG. 1

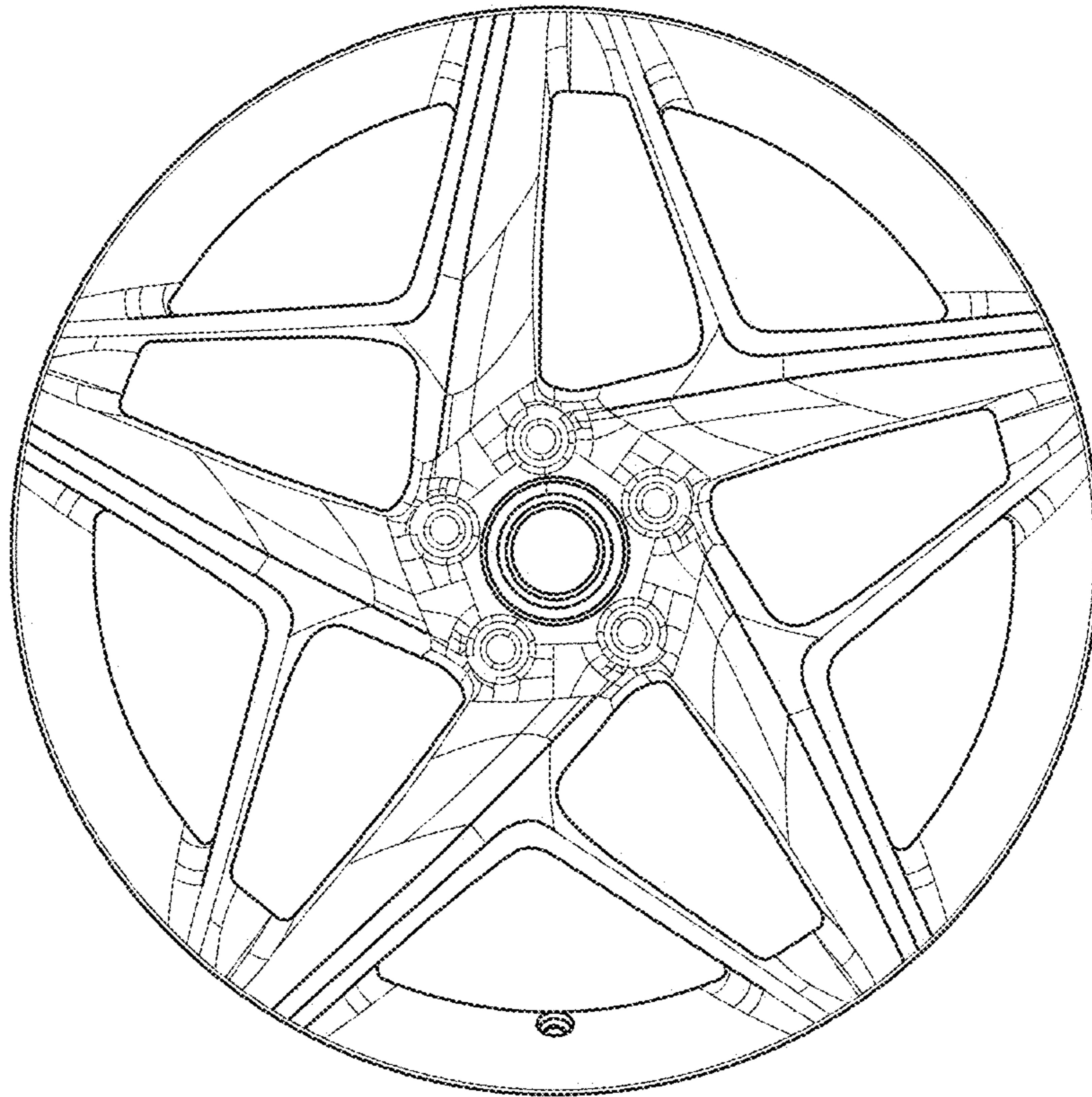


FIG. 2



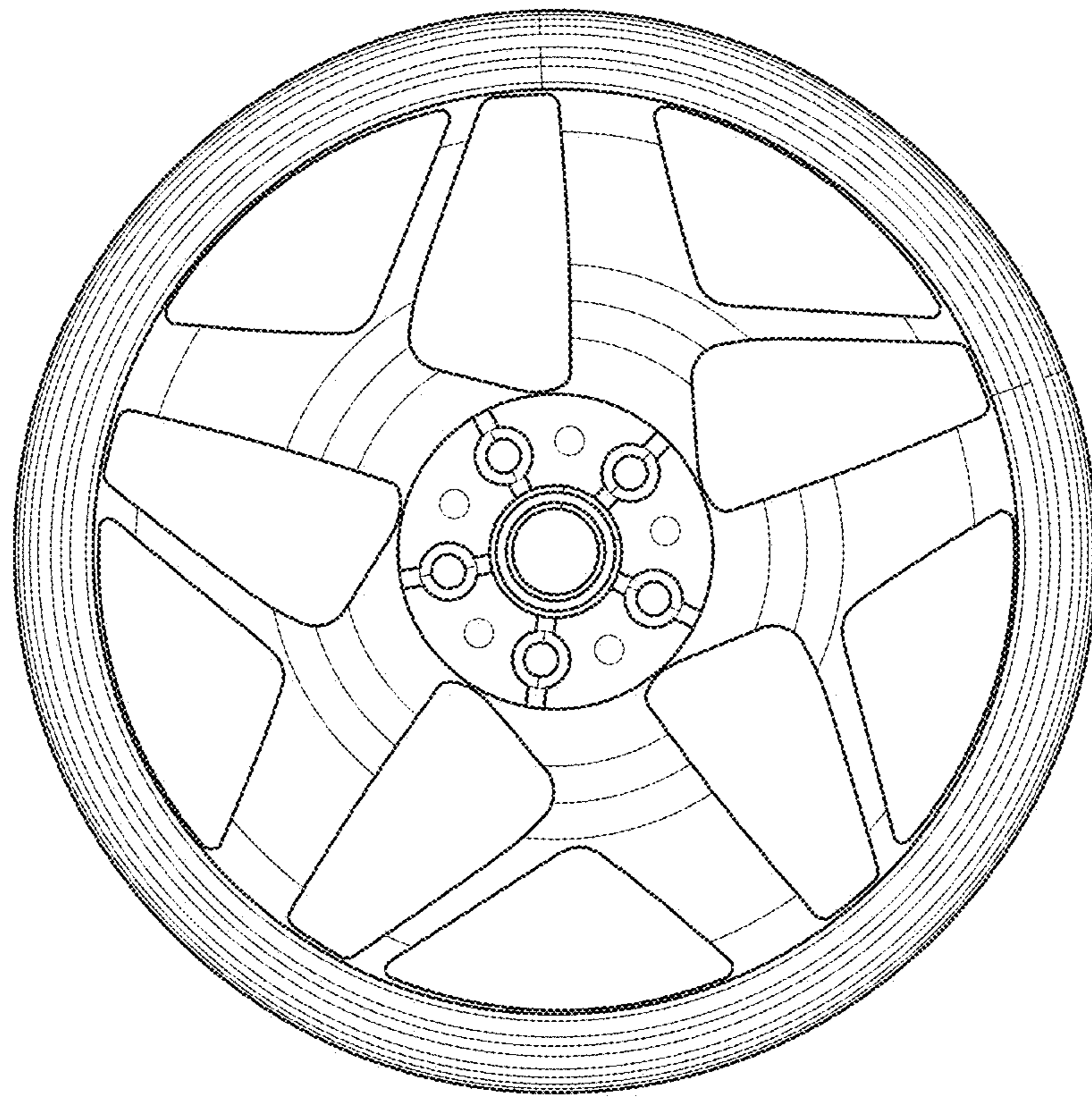


FIG. 3

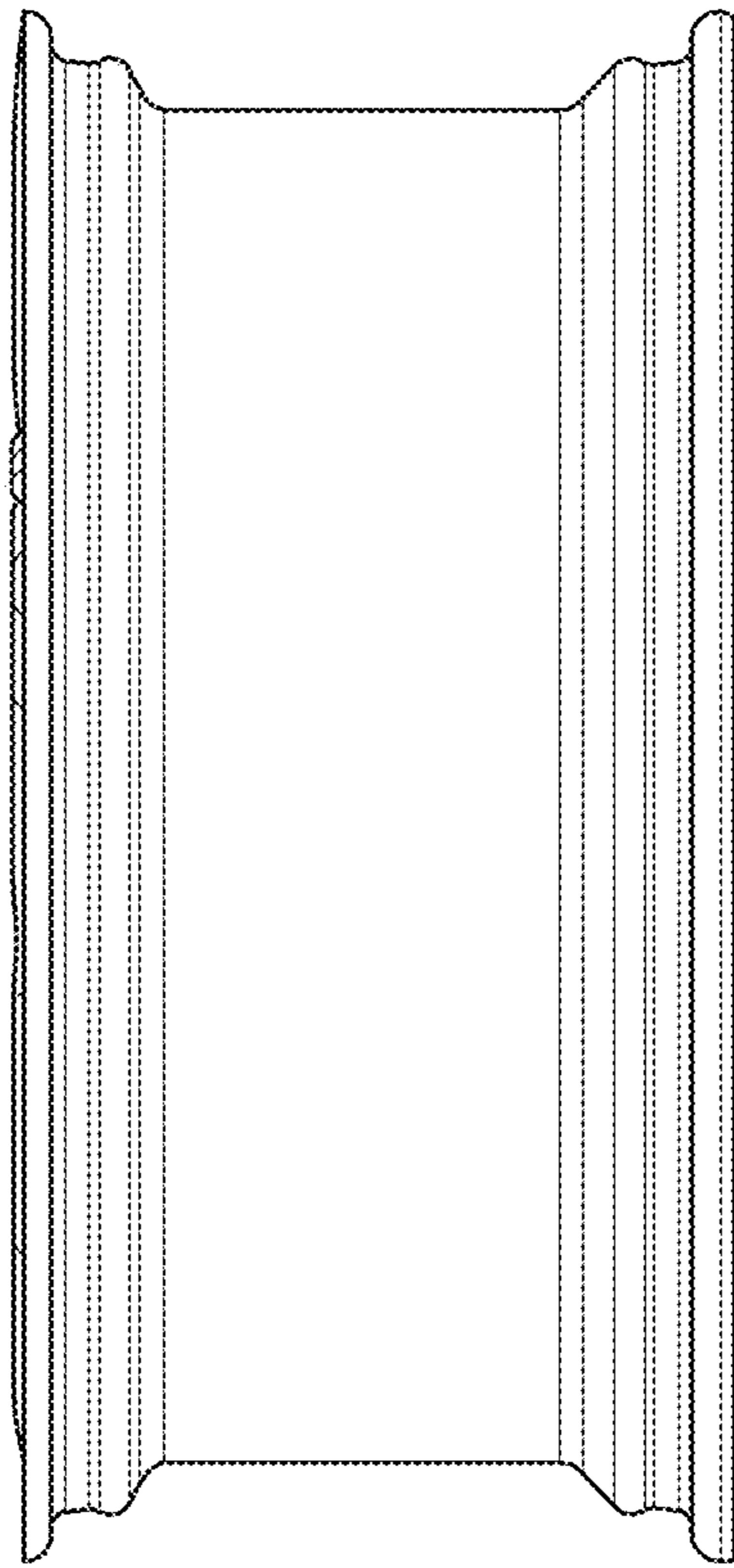


FIG. 4

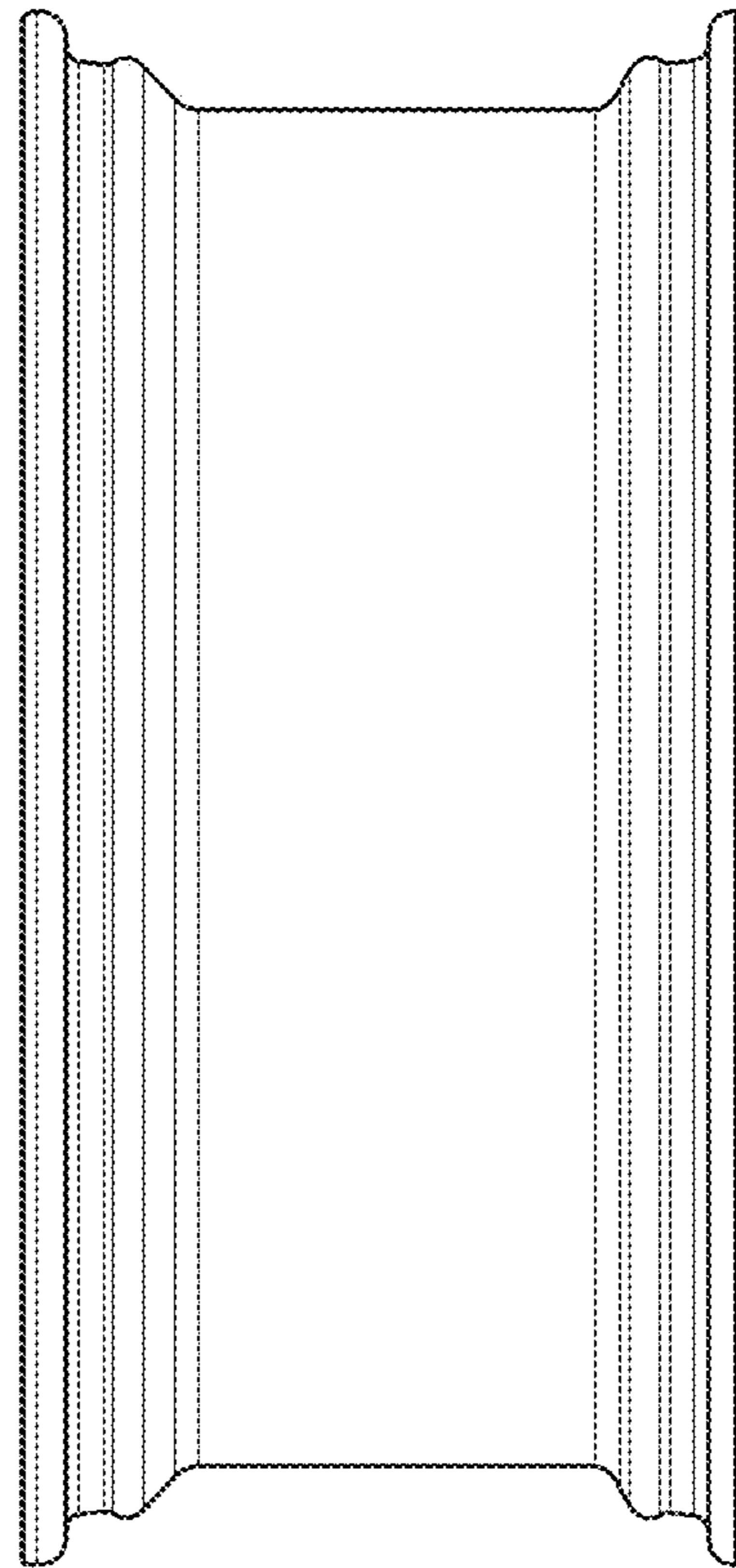


FIG. 5

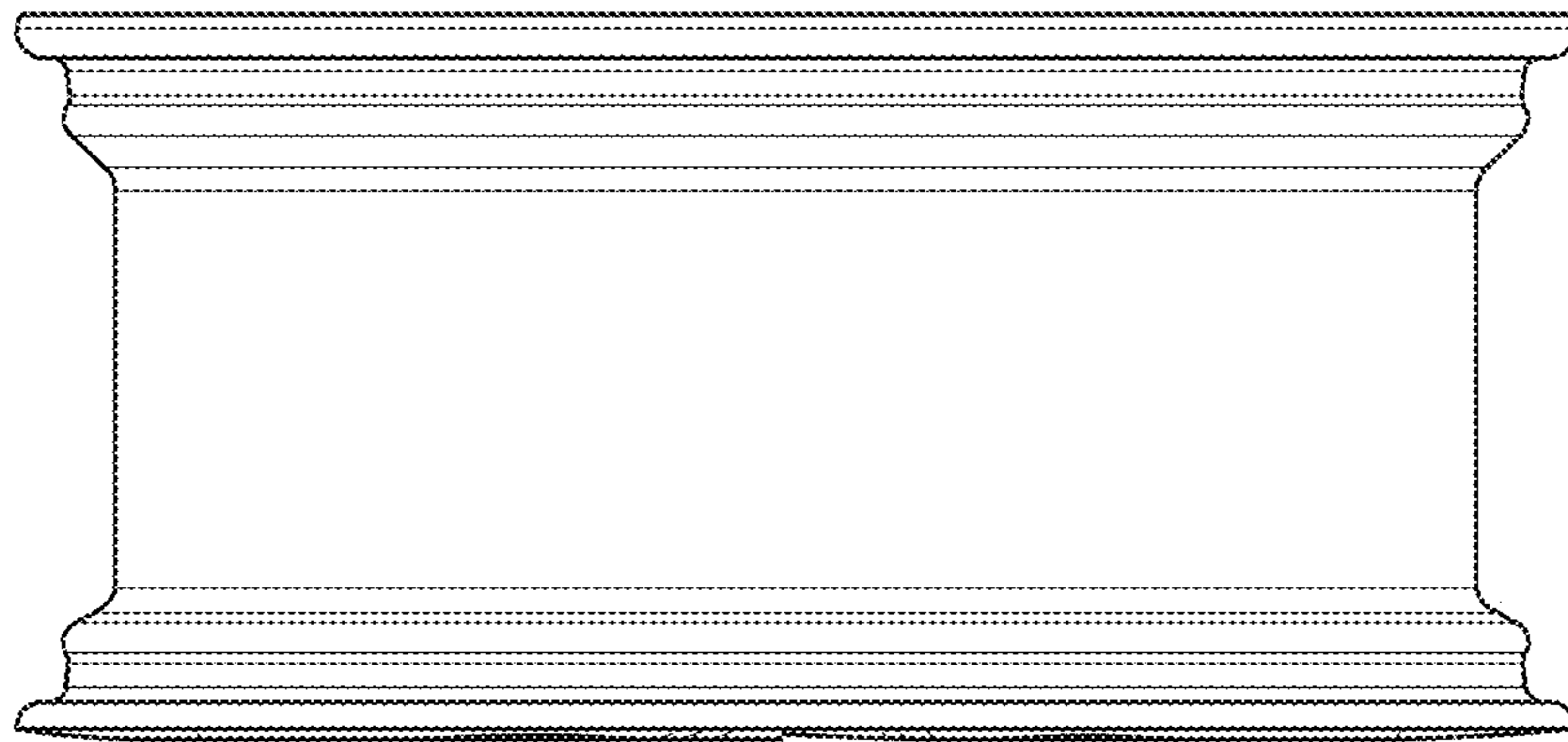


FIG. 6

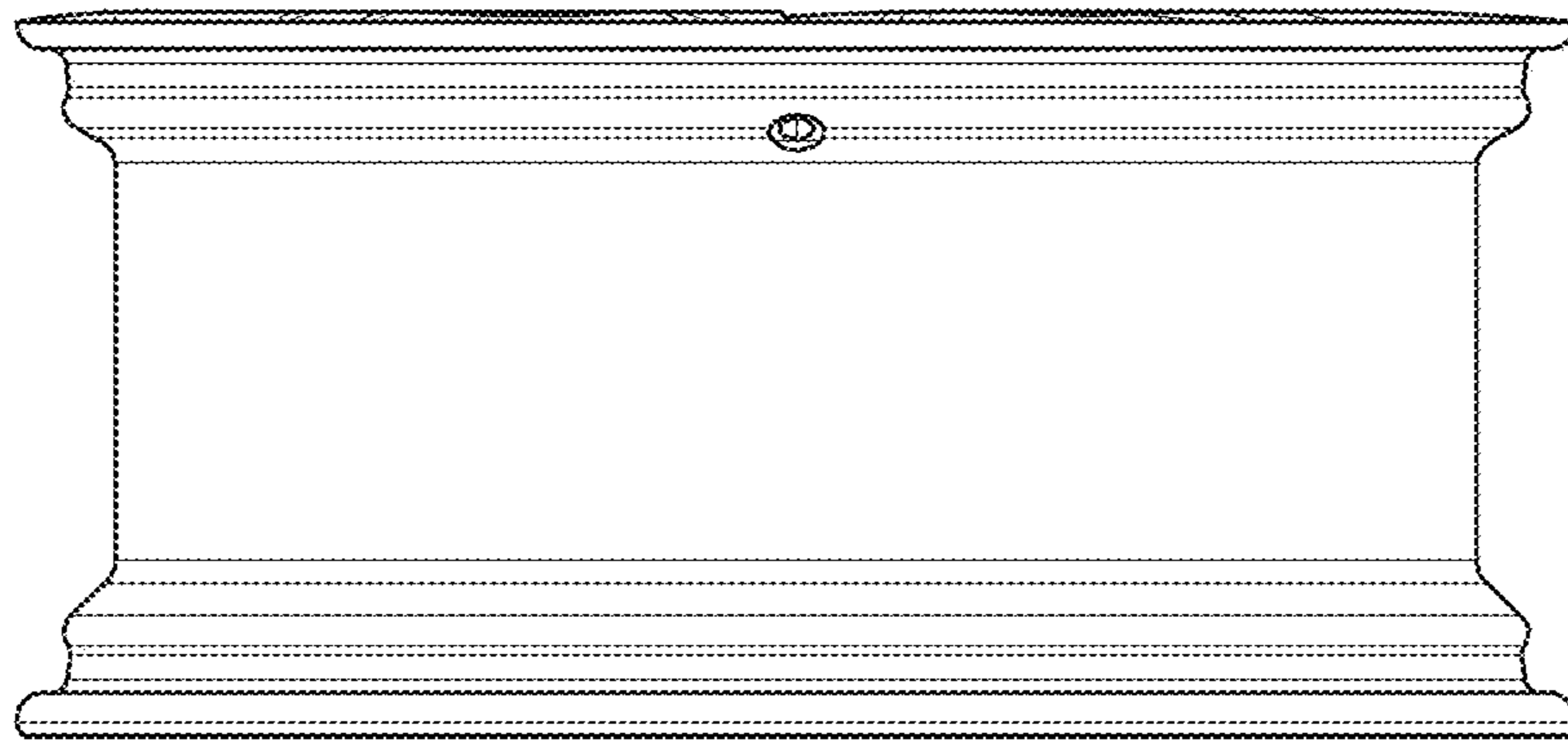


FIG. 7