



US00D980769S

(12) **United States Design Patent**
Li

(10) **Patent No.:** **US D980,769 S**
(45) **Date of Patent:** **** Mar. 14, 2023**

(54) **PAIR OF CAR DOOR SILL DECORATIVE GUARDS**

(71) Applicant: **Shenzhen Chegaibang Vehicle Industry Co., Ltd., Shenzhen (CN)**

(72) Inventor: **Liping Li, Shenzhen (CN)**

(73) Assignee: **Shenzhen Chegaibang Vehicle Industry Co., Ltd., Shenzhen (CN)**

(**) Term: **15 Years**

(21) Appl. No.: **29/827,657**

(22) Filed: **Feb. 22, 2022**

(51) **LOC (14) Cl.** **12-16**

(52) **U.S. Cl.**
USPC **D12/203**

(58) **Field of Classification Search**
USPC D12/203, 89, 98, 314, 162, 167, 190, 414
CPC .. B60R 3/002; B60R 3/02; B60R 3/00; B60R 3/005; B60R 3/007; B60R 3/04
See application file for complete search history.

(56) **References Cited**

U.S. PATENT DOCUMENTS

D272,430 S *	1/1984	Minichillo	D18/24
D488,759 S *	4/2004	Hattori	D12/203
D534,471 S *	1/2007	Landestoy	D12/203
D535,928 S *	1/2007	Crandall	D12/203
D548,664 S *	8/2007	Hall	D12/203
D618,148 S *	6/2010	Hoppert	D12/203
D620,416 S *	7/2010	Platto	D12/203
D630,143 S *	1/2011	Stahel	D12/195
D632,627 S *	2/2011	Huang-Tsai	D12/203
D668,689 S *	10/2012	Bang	D15/28
D668,690 S *	10/2012	Bang	D15/28
D676,368 S *	2/2013	Cover	D12/203
D698,295 S *	1/2014	Lane, II	D12/203
D703,598 S *	4/2014	Wang	D12/203

D708,835 S	7/2014	Bergonzi et al.	
D741,769 S *	10/2015	Turner D12/203
D828,792 S *	9/2018	Scott D12/167
D828,793 S *	9/2018	Scott D12/167
D828,794 S *	9/2018	Scott D12/167
D828,795 S *	9/2018	Scott D12/167
D840,309 S *	2/2019	Huang D12/203
D864,070 S *	10/2019	Keith D12/203
D896,711 S *	9/2020	Scott D12/167

(Continued)

Primary Examiner — Michelle E. Wilson

Assistant Examiner — Clese Moore, Jr.

(57) **CLAIM**

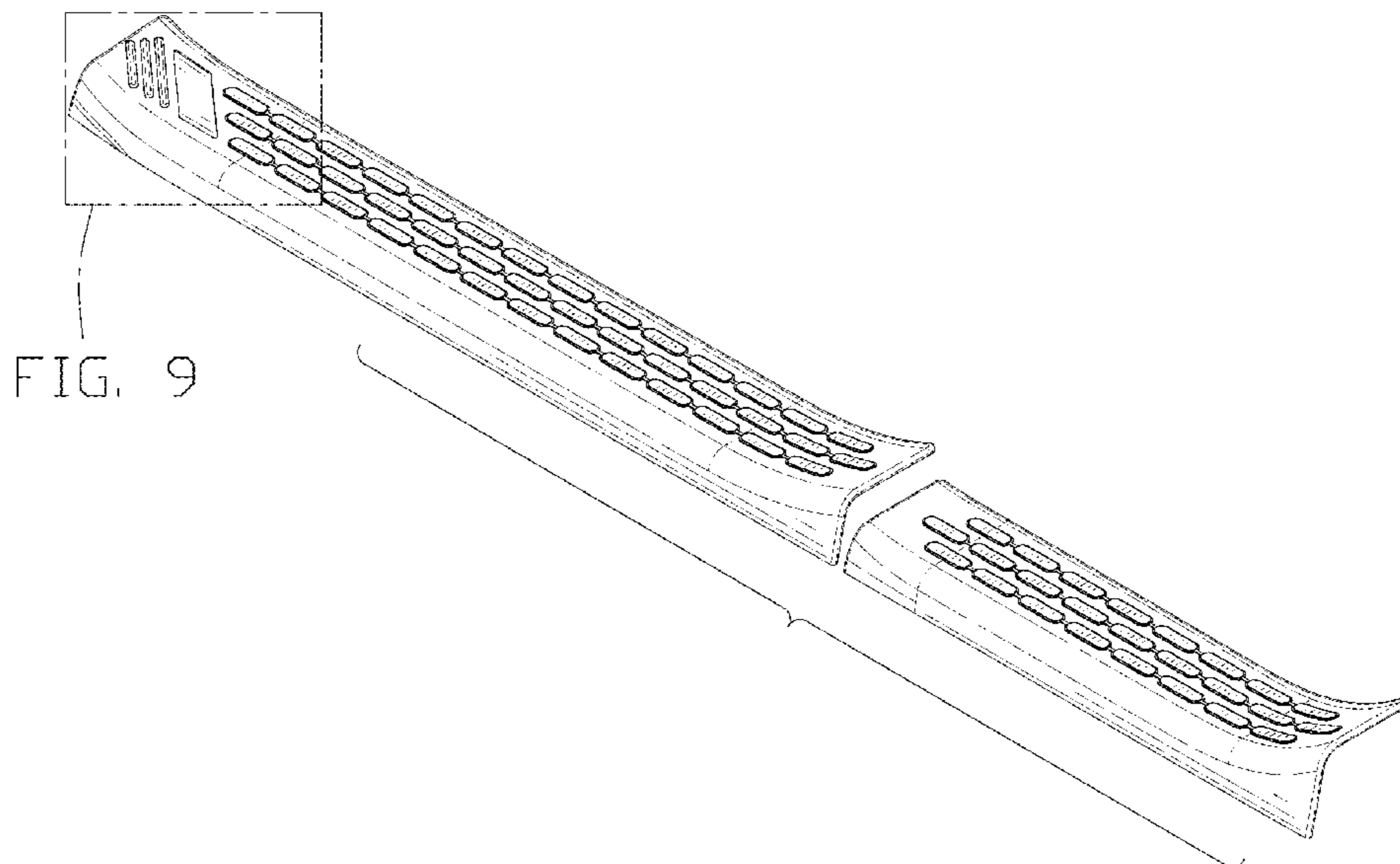
The ornamental design for a pair of car door sill decorative guards, as shown and described.

DESCRIPTION

FIG. 1 is a front and top perspective view of a pair of car door sill decorative guards, showing my new design; FIG. 2 is a rear and bottom perspective view thereof; FIG. 3 is a front elevation view thereof; FIG. 4 is a rear elevation view thereof; FIG. 5 is a left side elevation view thereof; FIG. 6 is a right side elevation view thereof; FIG. 7 is a top plan view thereof; FIG. 8 is a bottom plan view thereof; FIG. 9 is an enlarged view of a portion labeled, 'FIG. 9' in FIG. 1; and, FIG. 10 is another perspective view thereof, shown in a using position.

The broken lines in the figures illustrate portions of the pair of car door sill decorative guards that form no part of the claimed design. The dash dot dash lines in FIGS. 1 and 9 are for the purpose of depicting the boundary lines of the enlarged view and form no part of the claimed design. The broken lines of a car in FIG. 10 shown in the drawings depict environmental structure that form no part of the claimed design.

1 Claim, 10 Drawing Sheets



(56)

References Cited

U.S. PATENT DOCUMENTS

D909,944	S	*	2/2021	McDowell	D12/203
D915,953	S	*	4/2021	Zou	D12/167
D916,639	S	*	4/2021	Kim	D12/203
D916,640	S	*	4/2021	Kim	D12/203
D916,641	S	*	4/2021	Kim	D12/203
D921,550	S	*	6/2021	Roh	D12/203
D933,560	S	*	10/2021	Williams	D12/203
2009/0251920	A1	*	10/2009	Kino	G09F 13/18 362/602

* cited by examiner

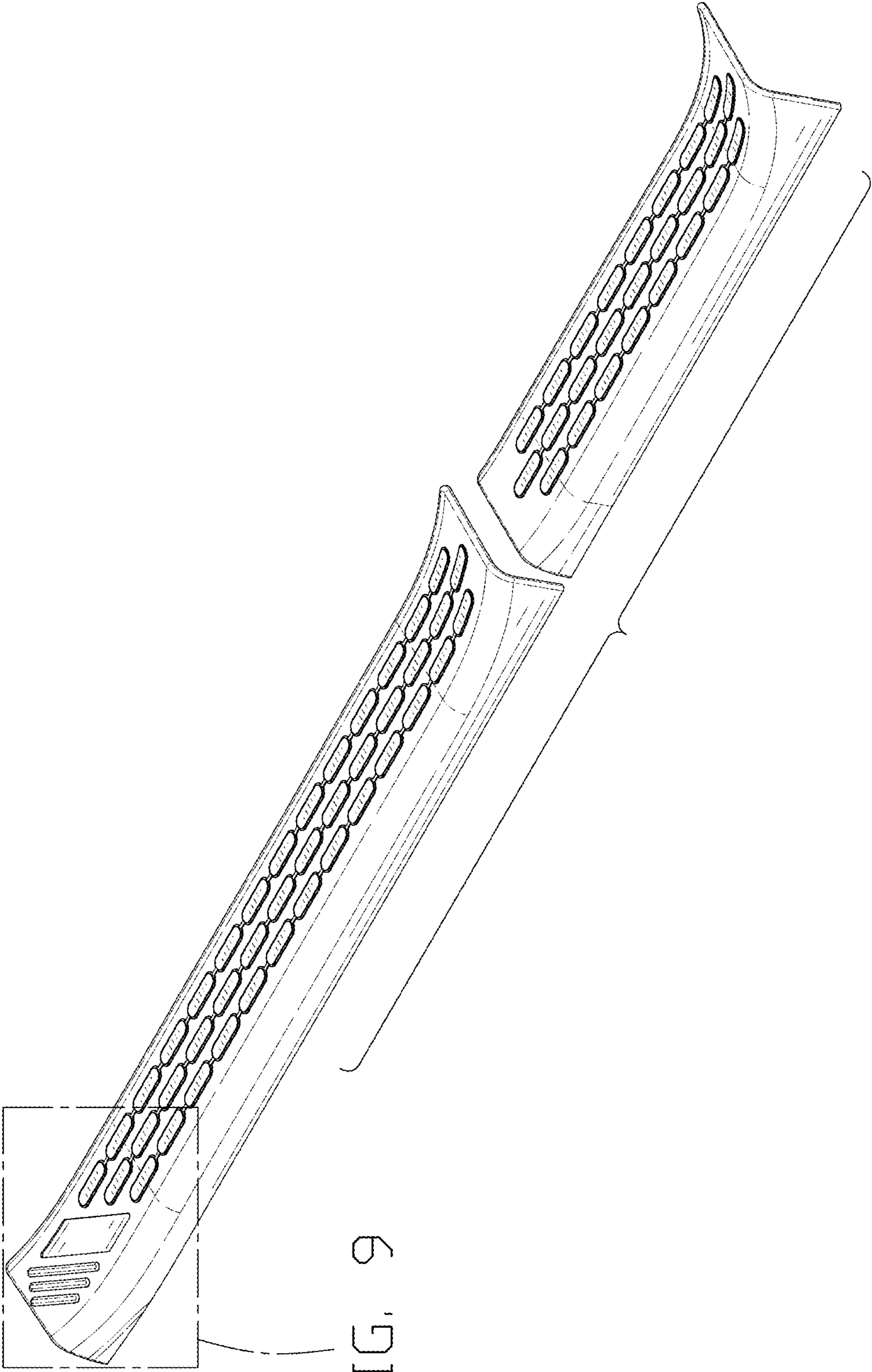


FIG. 9

FIG. 1

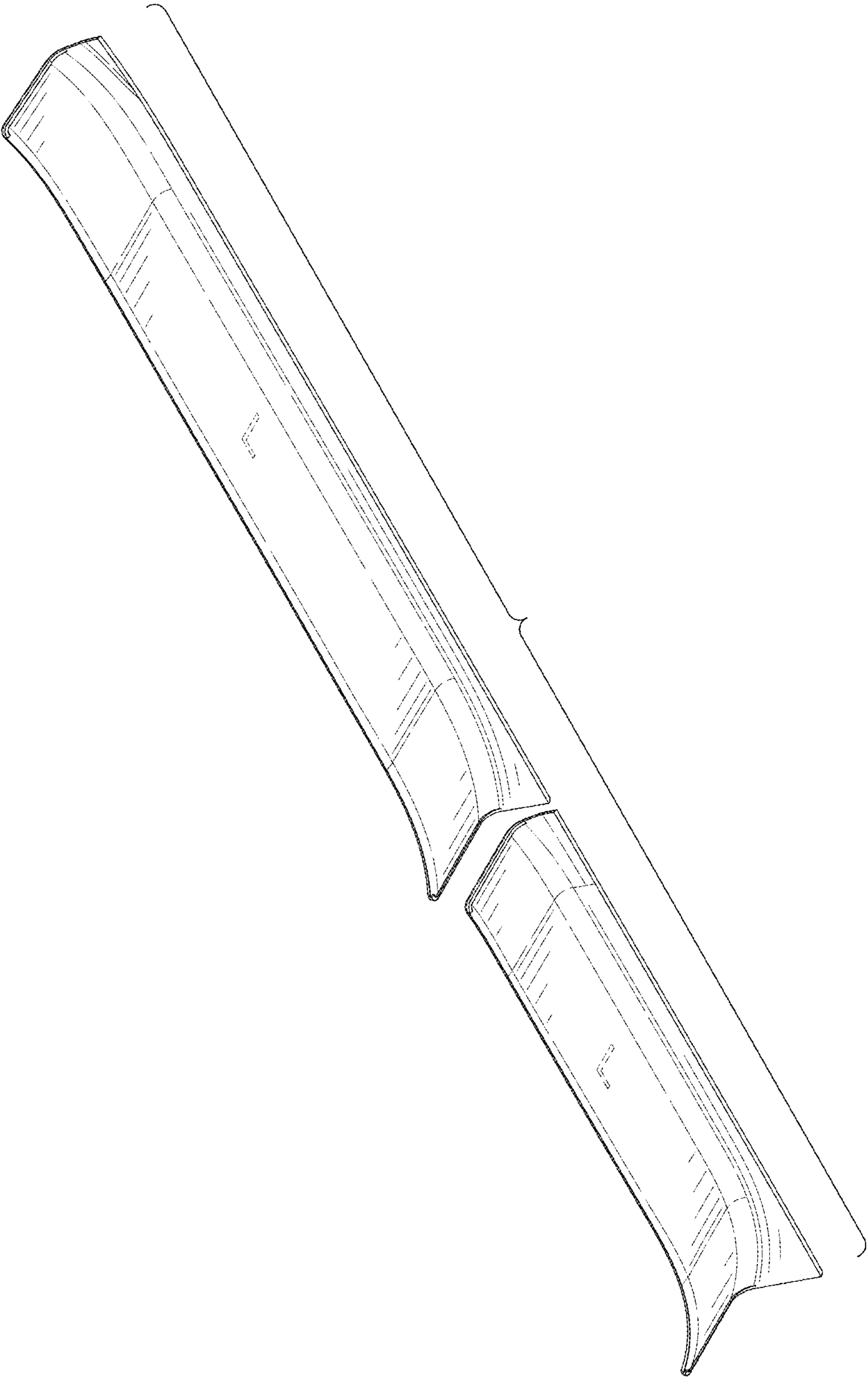


FIG. 2

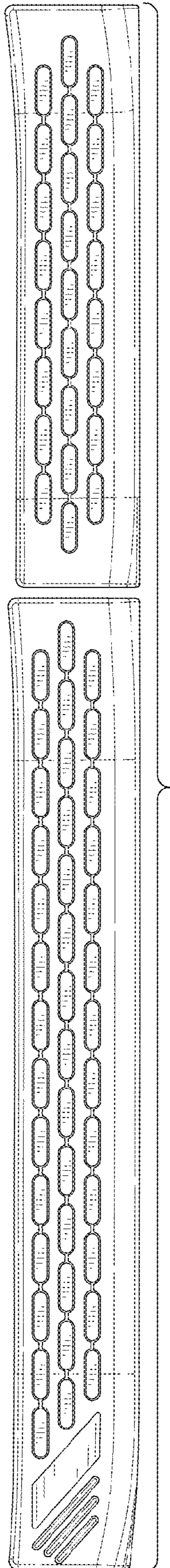


FIG. 3

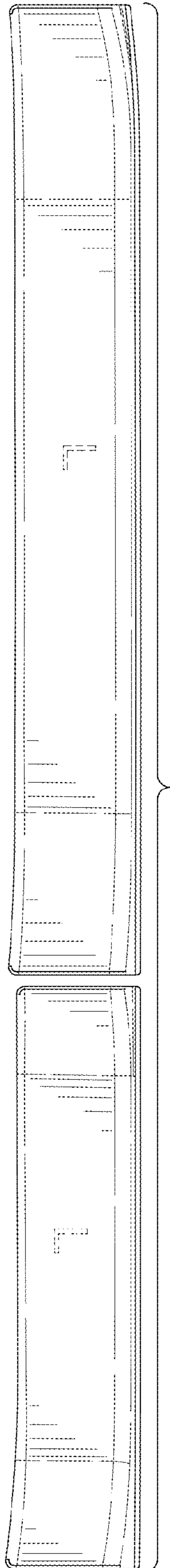


FIG. 4

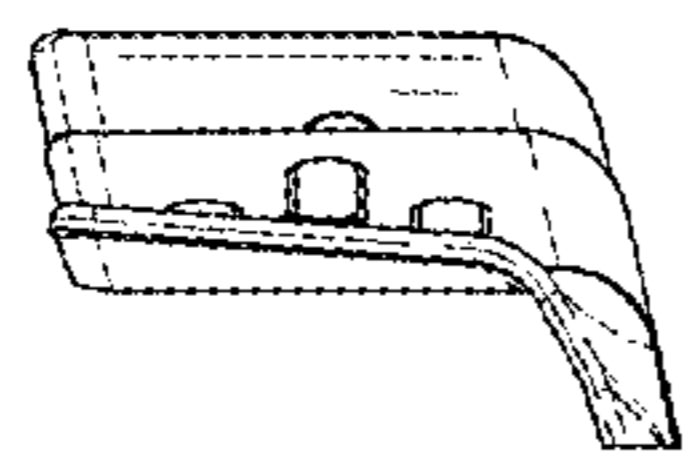


FIG. 5

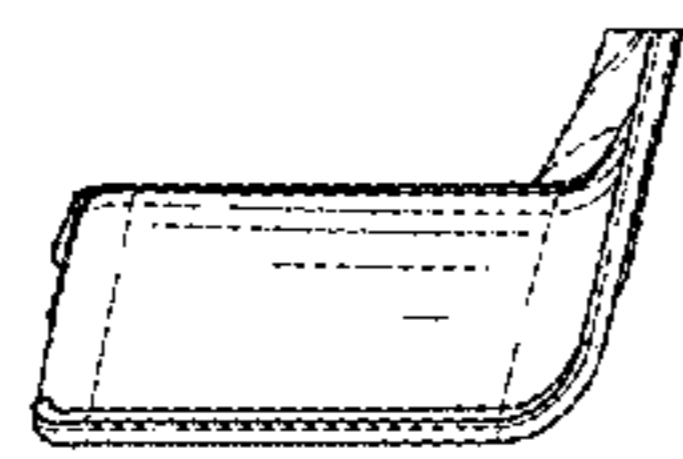


FIG. 6

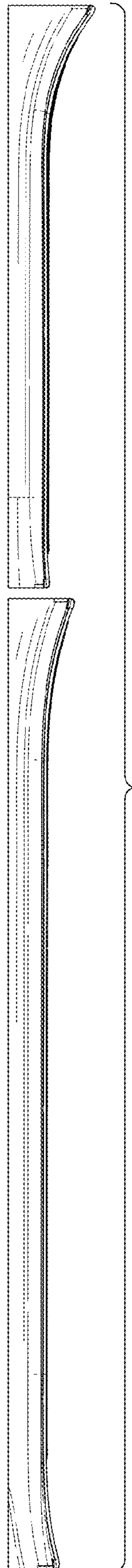


FIG. 7

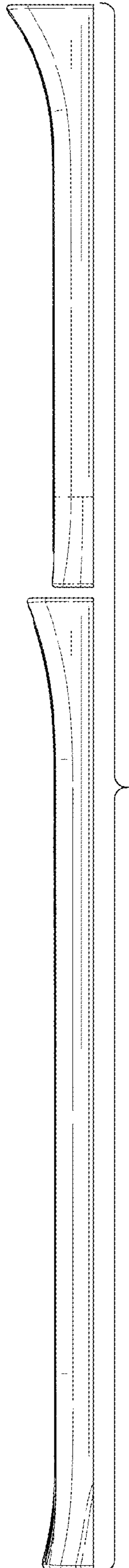


FIG. 8

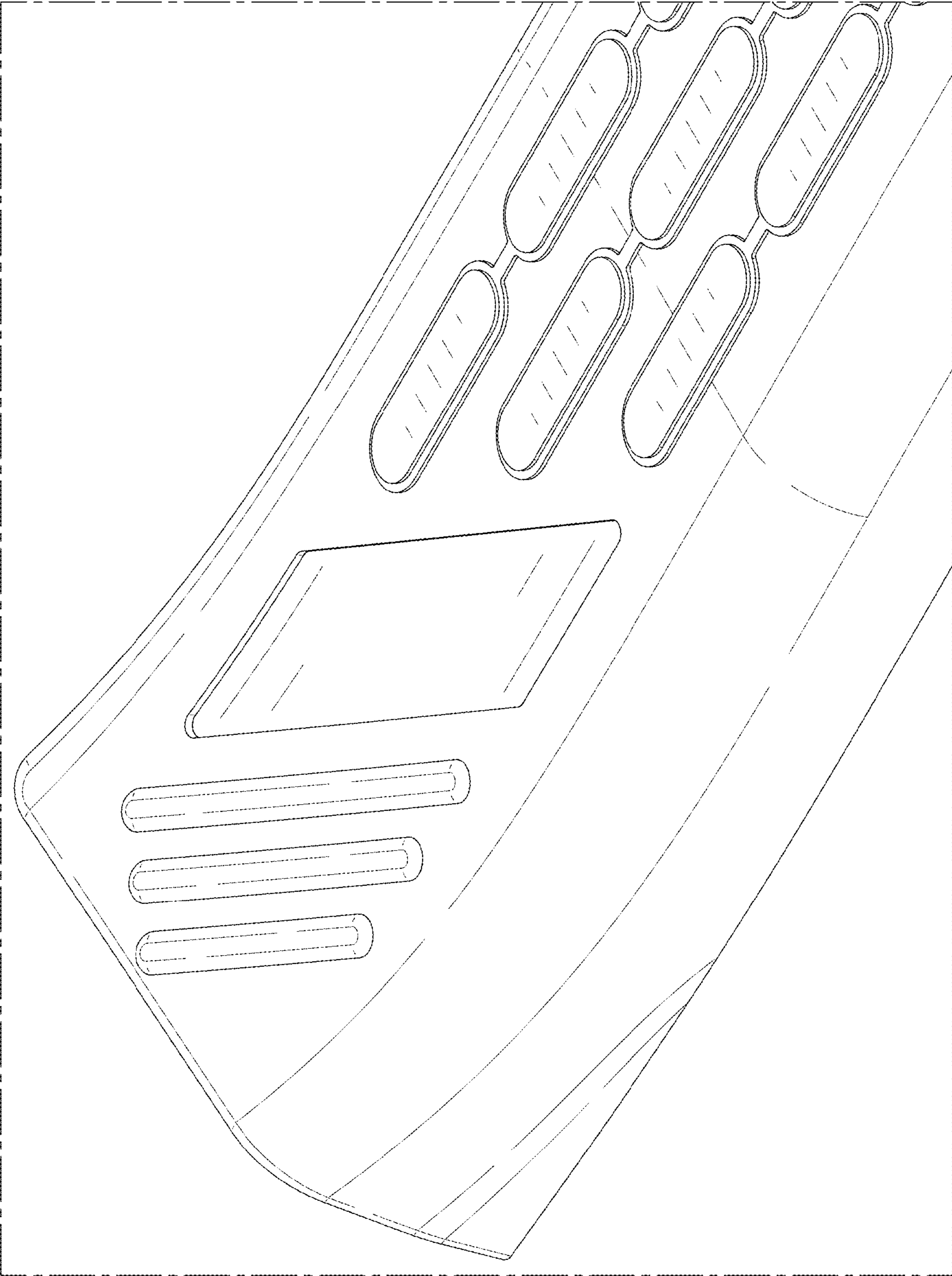


FIG. 9

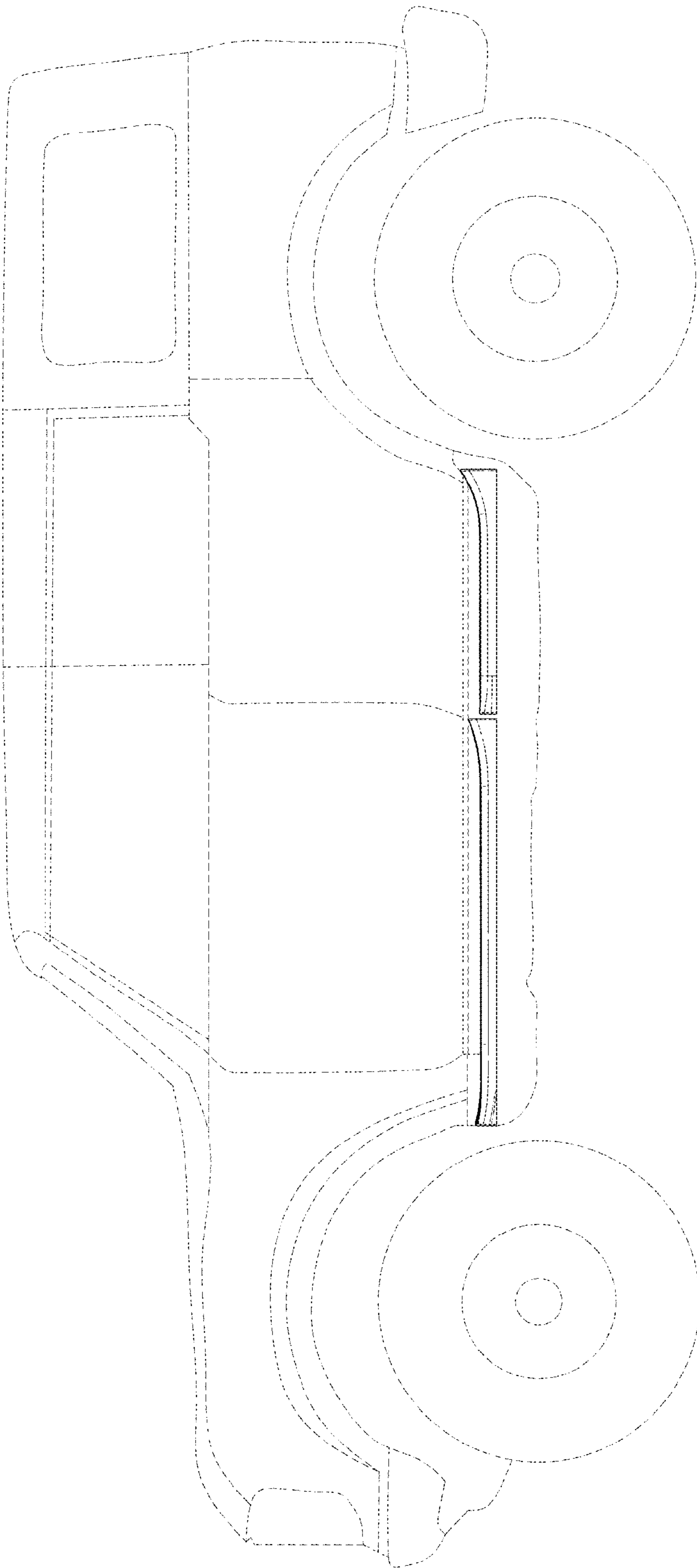


FIG. 10