



US00D980768S

(12) **United States Design Patent**
Frascella et al.

(10) **Patent No.:** **US D980,768 S**
(45) **Date of Patent:** **** Mar. 14, 2023**

- (54) **TAILGATE**
- (71) Applicant: **Jaguar Land Rover Limited**, Whitley Coventry (GB)
- (72) Inventors: **Massimo Frascella**, Whitley Coventry (GB); **Constantino Segui Gilibert**, Whitley Coventry (GB)
- (73) Assignee: **Jaguar Land Rover Limited**, Whitley Coventry (GB)
- (**) Term: **15 Years**
- (21) Appl. No.: **29/786,797**
- (22) Filed: **Jun. 2, 2021**
- (30) **Foreign Application Priority Data**

Dec. 3, 2020 (EM) 008307979-0004

- (51) **LOC (14) Cl.** **12-16**
- (52) **U.S. Cl.**
USPC **D12/196**
- (58) **Field of Classification Search**
USPC D12/90, 91, 92, 93, 96, 196
CPC .. B62D 25/02; B62D 25/04; B60J 5/00; B60J 5/02; B60J 5/04; B60J 5/10
See application file for complete search history.

(56) **References Cited**

U.S. PATENT DOCUMENTS

D856,243 S *	8/2019	Woodhouse	D12/196
D859,251 S *	9/2019	Bucher	D12/196
D859,252 S *	9/2019	Krieg	D12/196
D883,885 S *	5/2020	Metros	D12/196
D897,919 S *	10/2020	Choi	D12/196
D913,888 S *	3/2021	Piaskowski	D12/196
D919,532 S *	5/2021	Ruiz	D12/196
D924,764 S *	7/2021	Wraith	D12/196
D930,541 S *	9/2021	Theis	D12/196

D937,726 S *	12/2021	Meyer	D12/196
D947,072 S *	3/2022	Kim	D12/96
D947,737 S *	4/2022	Yun	D12/196
D957,298 S *	7/2022	Kil	D12/196

OTHER PUBLICATIONS

Liftgates. (Design—© Questel) orbit.com. [Online PDF compilation of references] 56 pgs. Print Dates Range Jan. 11, 2022-Sep. 12, 2018 [Retrieved Jul. 27, 2022].*

Garlitos, Kirby. Hyundai Gives The 2020 Tucson A Stiffer Chassis. Mar. 22, 2019. TopSpeed. <https://www.topspeed.com/cars/car-news/hyundai-gives-the-2020-tucson-a-stiffer-chassis-sportier-styling-with-an-n-line-badge-ar185010.html>.*

(Continued)

Primary Examiner — George D. Kirschbaum
Assistant Examiner — Suzanne E Tisdell
 (74) *Attorney, Agent, or Firm* — Wood Herron & Evans LLP

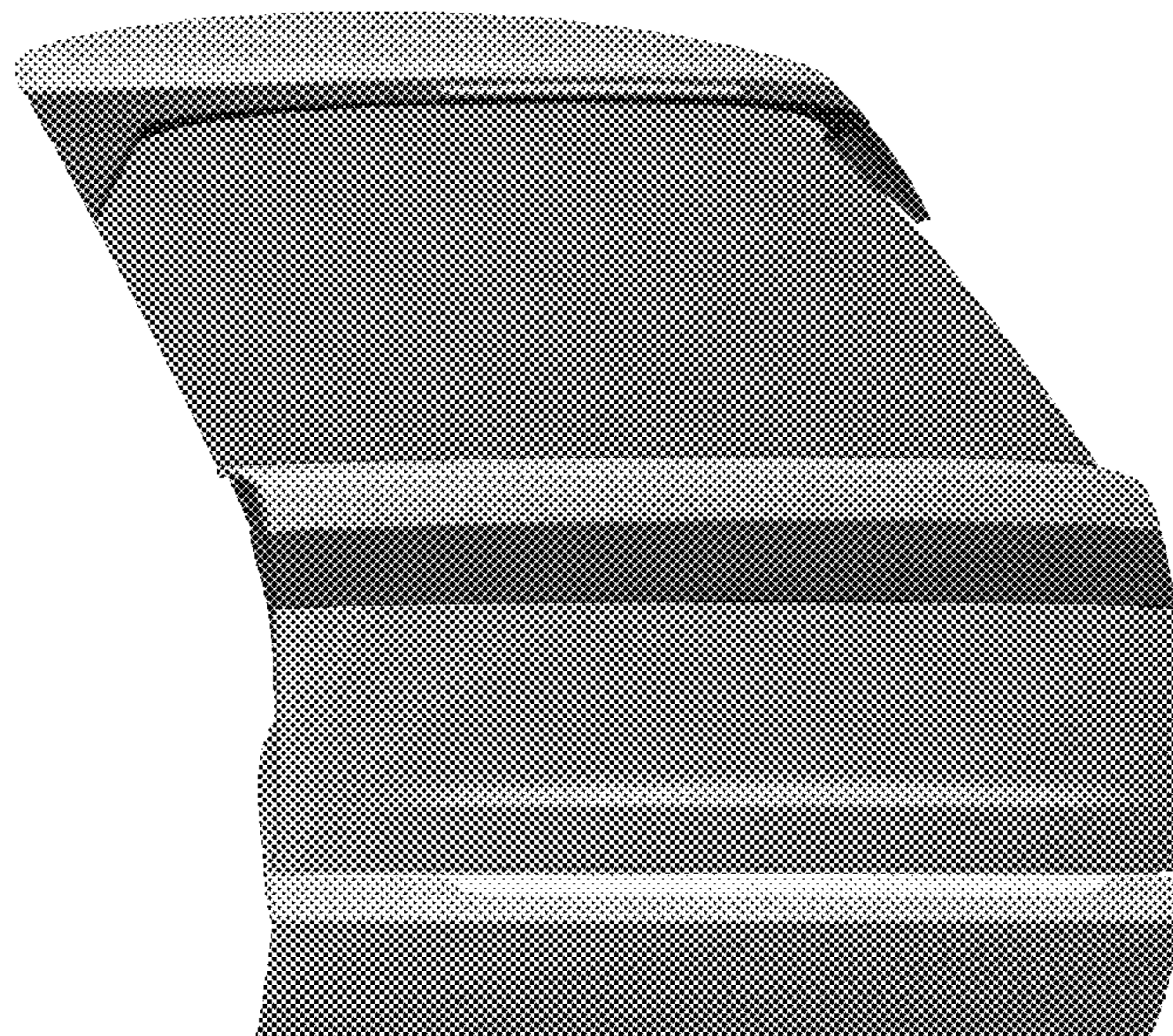
(57) **CLAIM**

The ornamental design for a tailgate, as shown and described.

DESCRIPTION

FIG. 1 is a front left perspective view of a tailgate according to the present invention.
 FIG. 2 is a rear right perspective view of the tailgate shown in FIG. 2.
 FIG. 3 is a front view thereof.
 FIG. 4 is a rear view thereof.
 FIG. 5 is a left side view thereof.
 FIG. 6 is a right side view thereof.
 FIG. 7 is a top view thereof.
 FIG. 8 is a bottom view thereof; and,
 FIG. 9 is a second front view of the tailgate shown in FIGS. 1-8, shown in use.
 The broken lines depict unclaimed environmental subject matter.

1 Claim, 9 Drawing Sheets



(56)

References Cited

OTHER PUBLICATIONS

Voss, Arv. 2016 Hyundai Tucson Limited. Sep. 4, 2015. Our Auto Expert. <https://ourautoexpert.com/2016-hyundai-santa-fe-limited-awd-test-drive/>.*

Cole, Craig. 2016 Hyundai Tucson Review. Aug. 27, 2015. AutoGuide. <https://www.autoguide.com/manufacture/hyundai/2016-hyundai-tucson-limited-awd-review/>.*

* cited by examiner

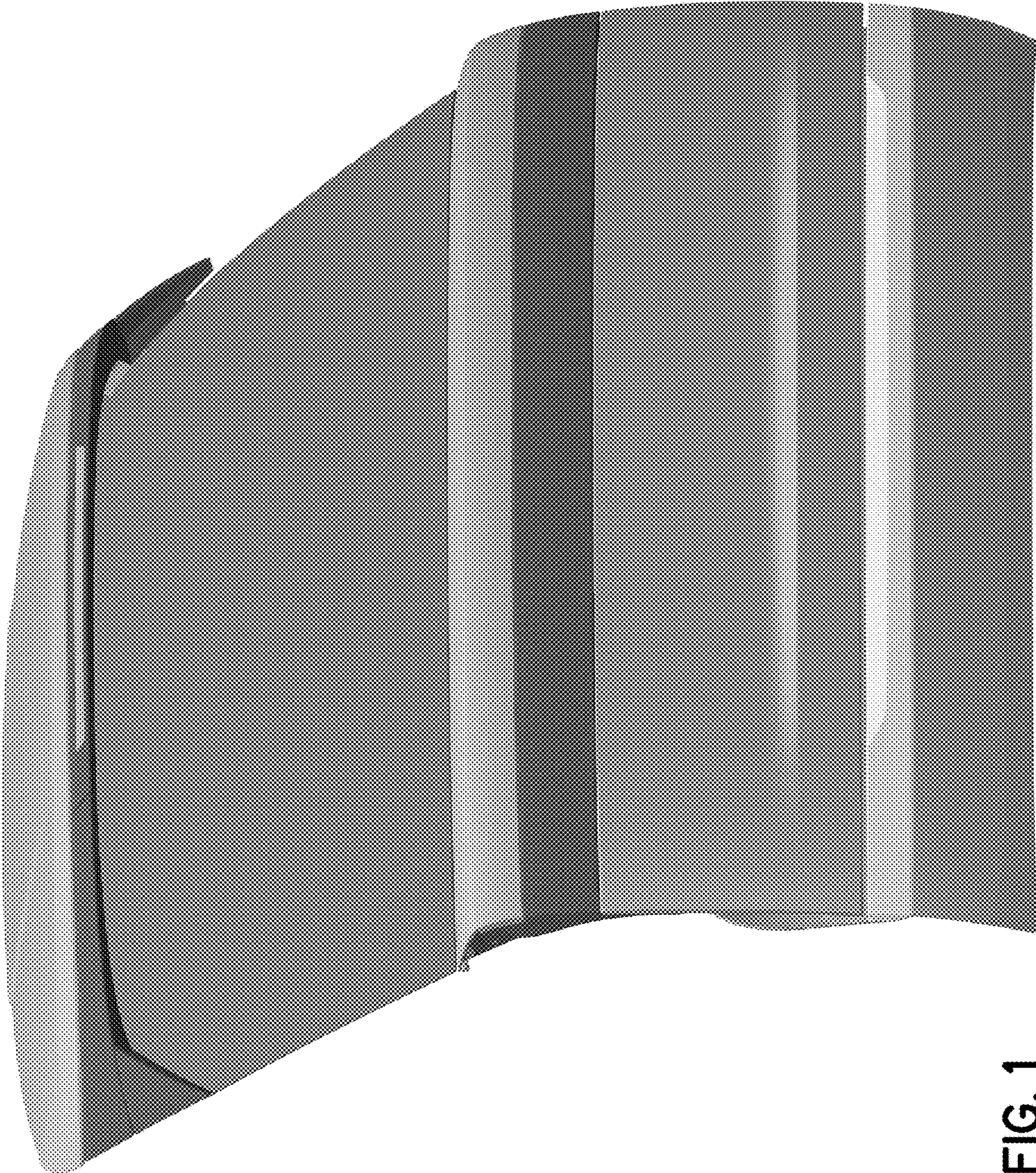


FIG. 1



FIG. 2

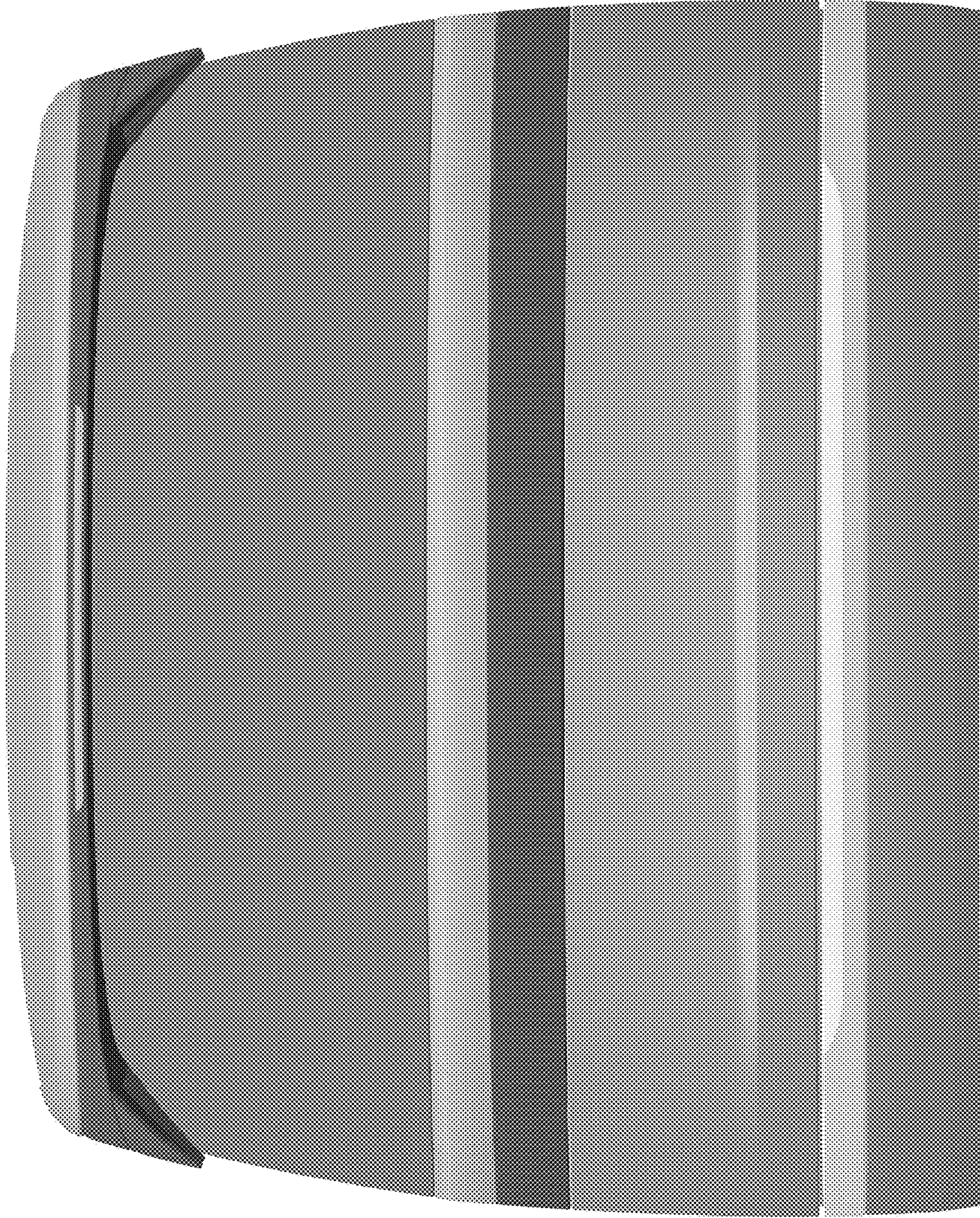


FIG. 3

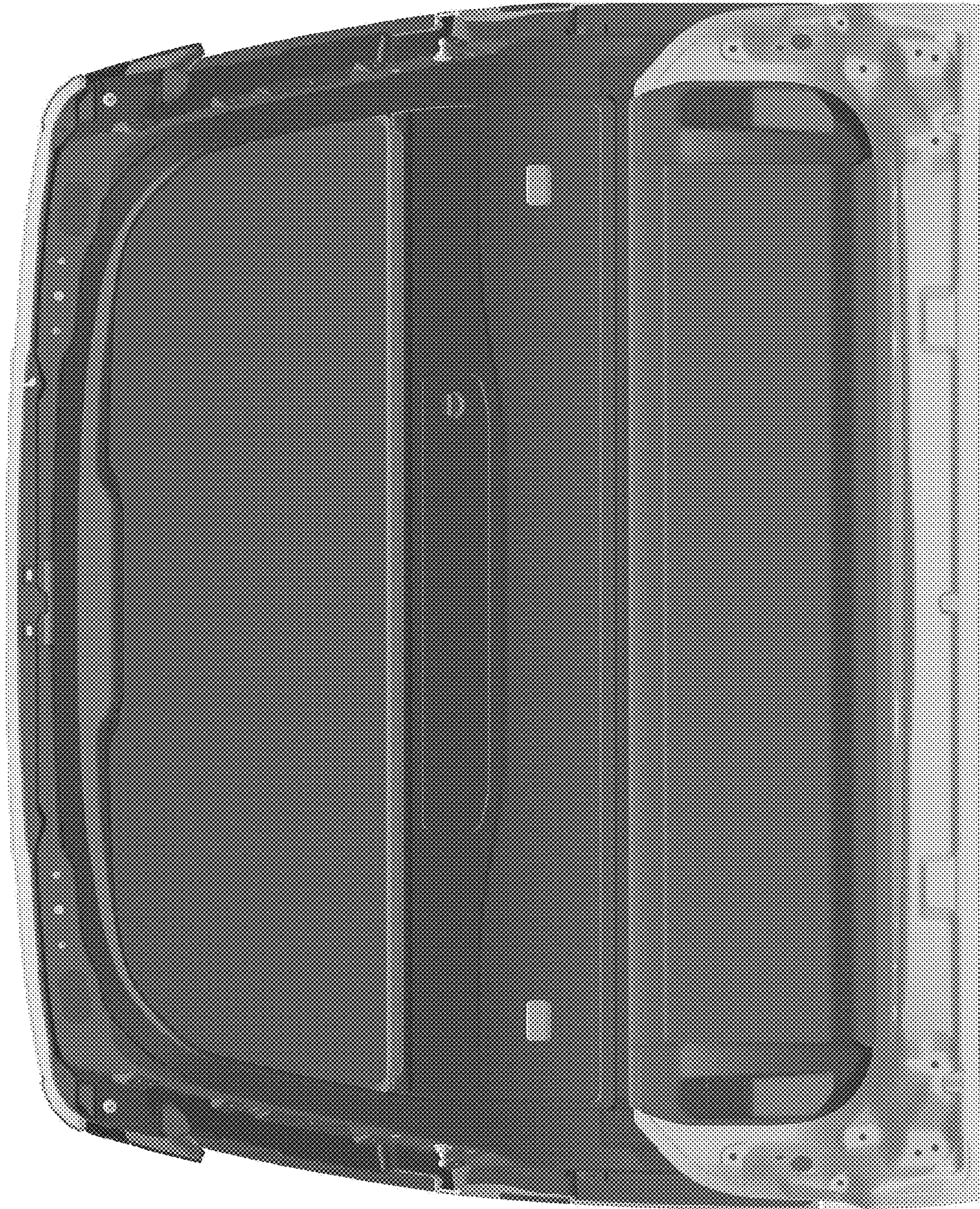


FIG. 4



FIG. 5

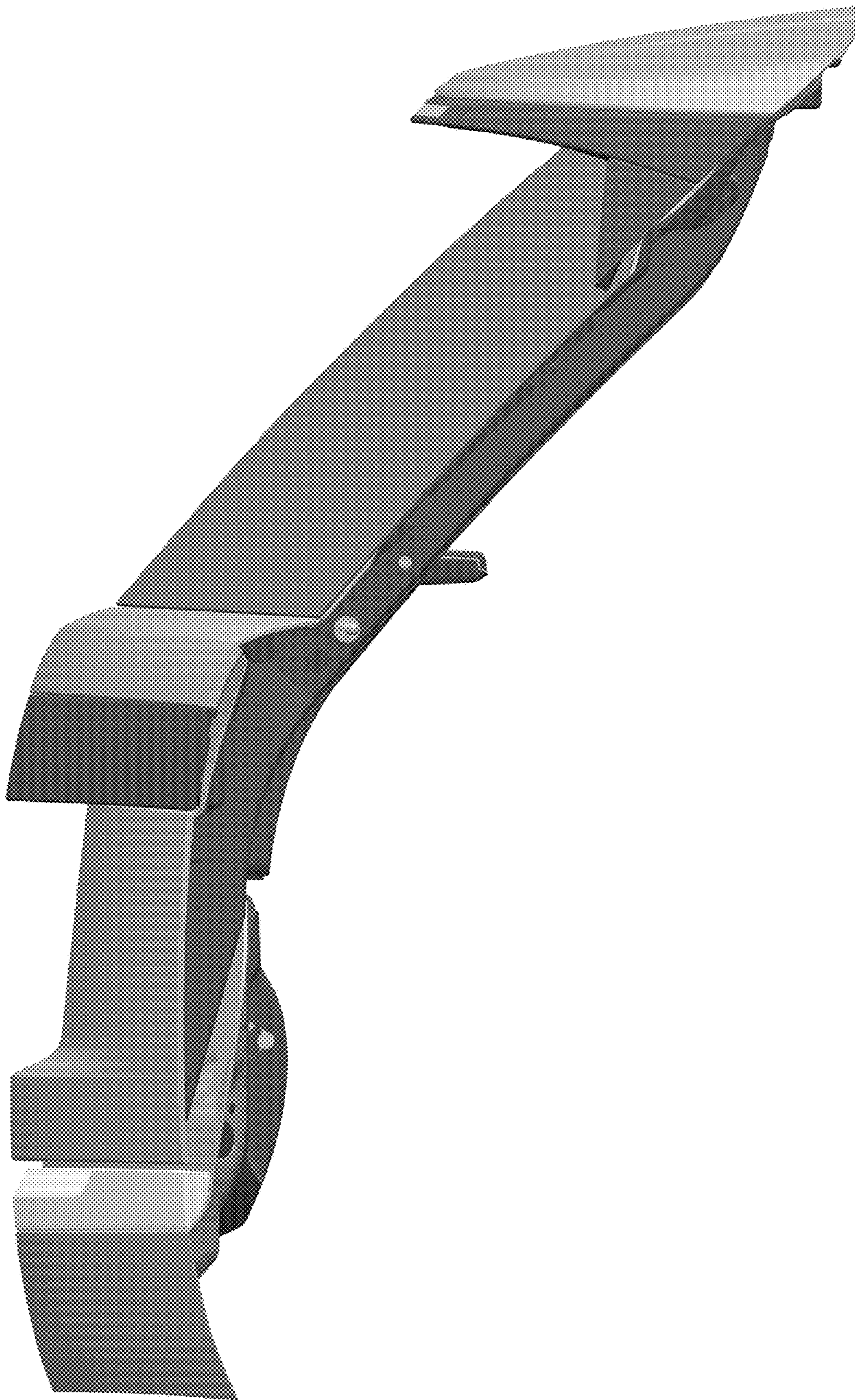


FIG. 6

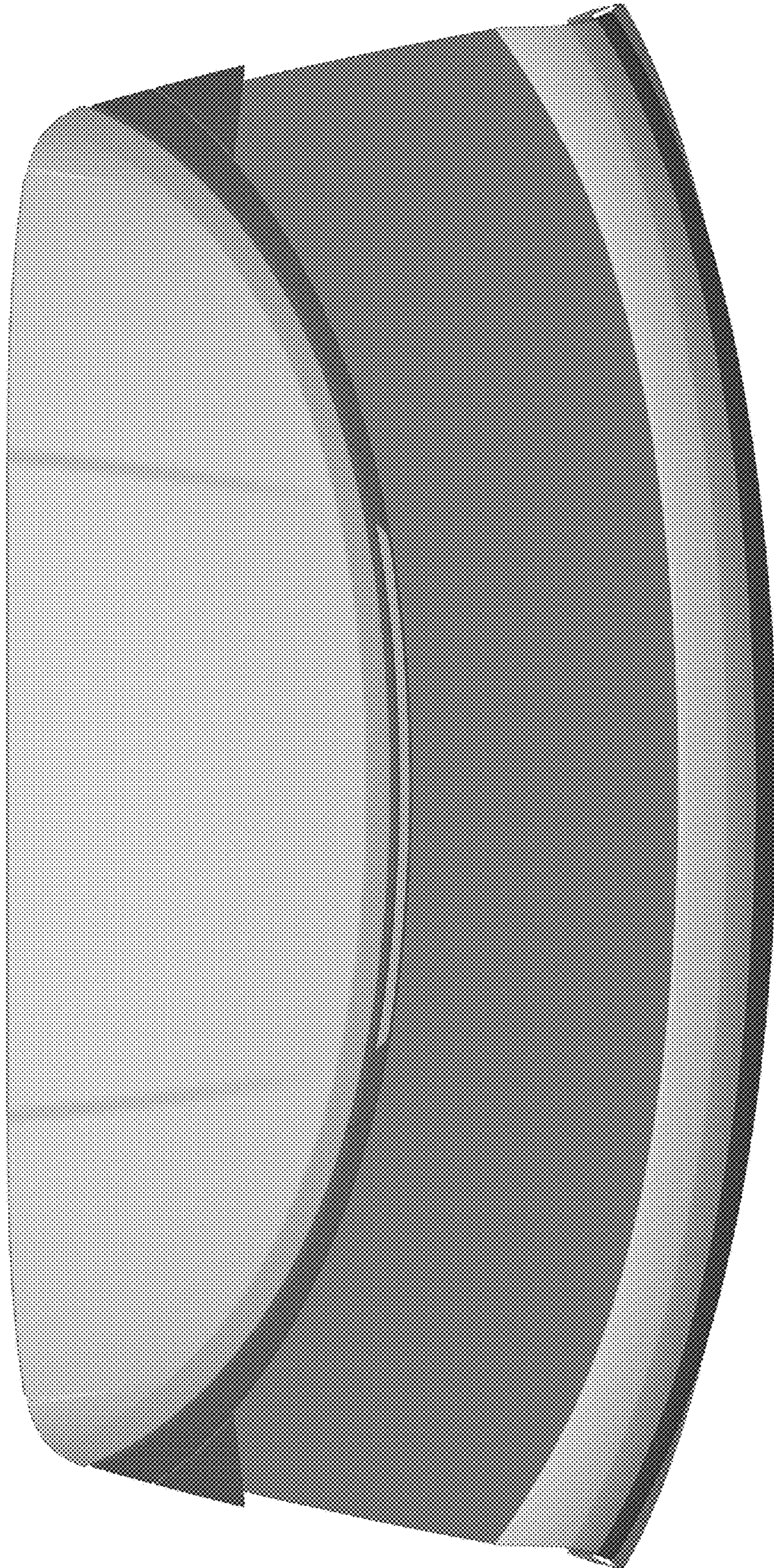


FIG. 7

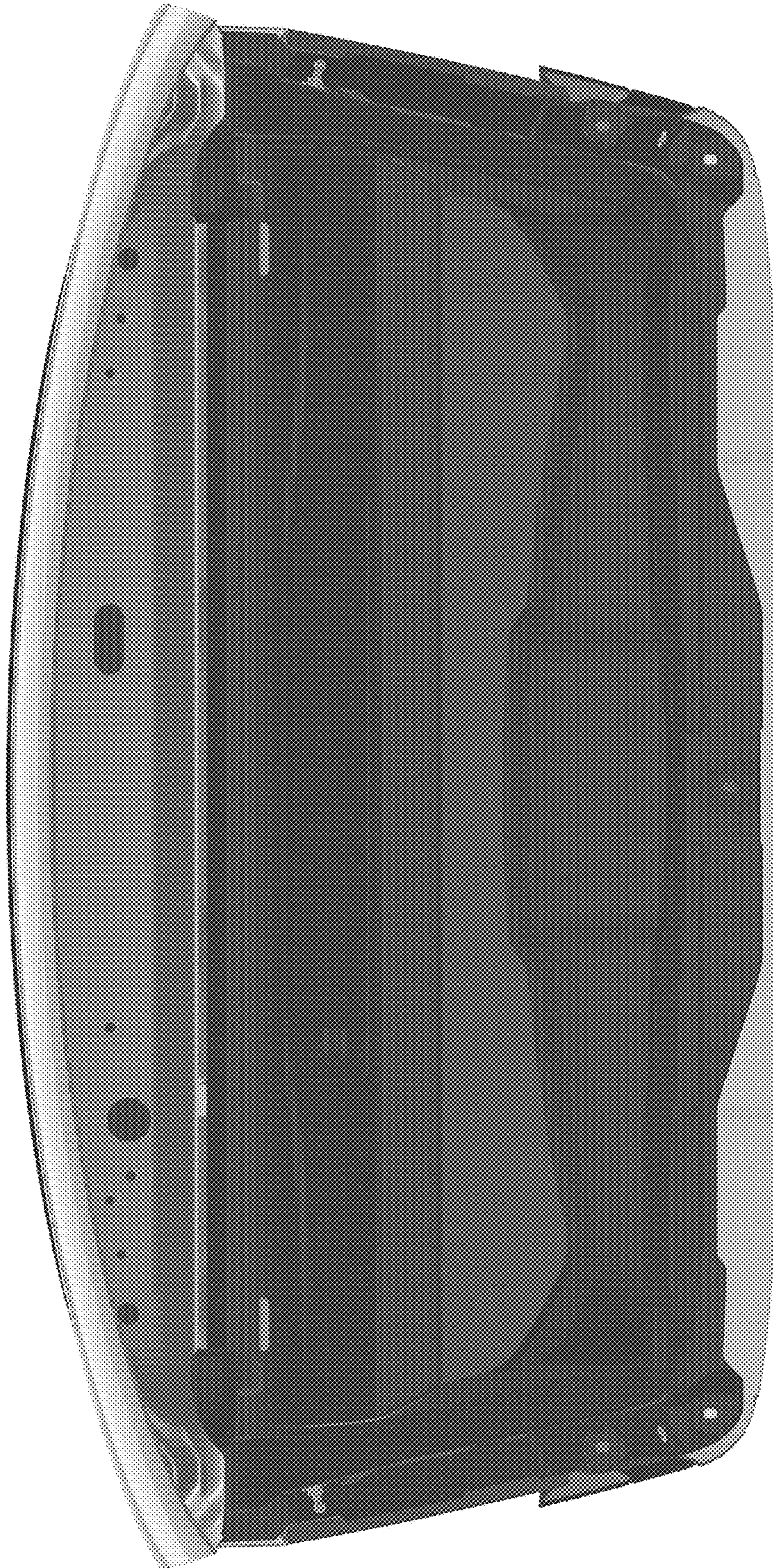


FIG. 8

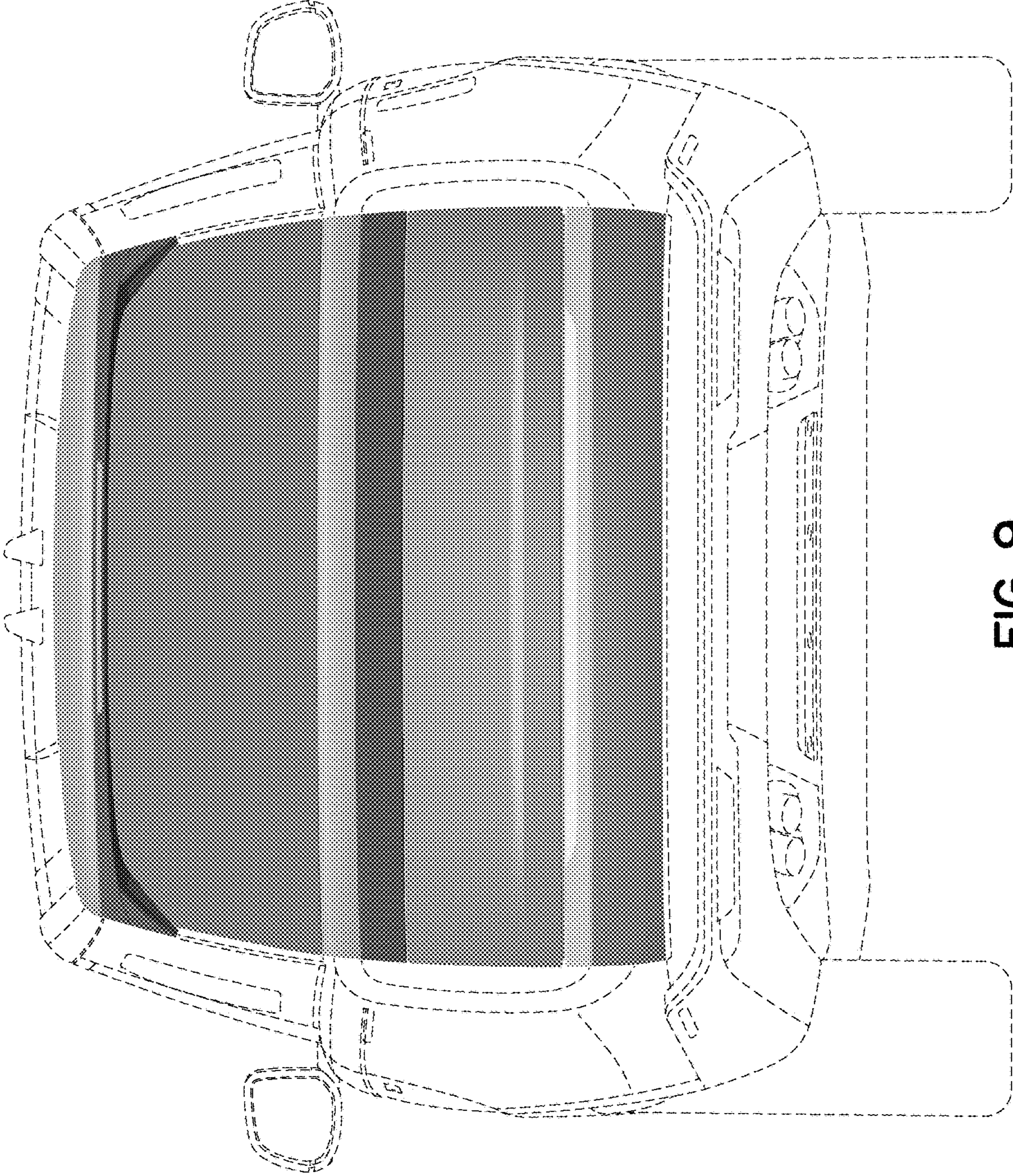


FIG. 9