



US00D980766S

(12) **United States Design Patent**  
**Waraich et al.**

(10) **Patent No.:** **US D980,766 S**  
(45) **Date of Patent:** **\*\* \*Mar. 14, 2023**

(54) **HOOD FOR A VEHICLE**

(71) Applicant: **PACCAR Inc**, Bellevue, WA (US)

(72) Inventors: **Harry Waraich**, Bellevue, WA (US);  
**Cameron Ellis**, Bellevue, WA (US);  
**Jonathan Duncan**, Bellevue, WA (US);  
**Peter Vurpillat**, Bellevue, WA (US);  
**Rebecca Kern**, Bellevue, WA (US);  
**Amanda Koh**, Bellevue, WA (US);  
**Steve Hovind**, Bellevue, WA (US);  
**Michael Newman**, Bellevue, WA (US);  
**Scott Temple**, Bellevue, WA (US)

(73) Assignee: **PACCAR Inc**, Bellevue, WA (US)

(\*) Notice: This patent is subject to a terminal disclaimer.

(\*\*) Term: **15 Years**

(21) Appl. No.: **29/760,467**

(22) Filed: **Dec. 1, 2020**

(51) **LOC (14) Cl.** ..... **12-08**

(52) **U.S. Cl.**  
USPC ..... **D12/173**

(58) **Field of Classification Search**  
USPC ... D12/1, 14, 82, 86, 87, 89, 90, 91, 92, 93,  
D12/96, 97, 98, 99, 164, 167, 169, 170,  
D12/171, 172, 173, 181, 184, 185, 190,  
D12/192, 196; D21/533, 548, 552, 561  
CPC ..... B62D 25/02; B62D 25/10; B62D 25/12;  
B62D 25/105; B62D 25/08; B62D  
23/005; B60R 19/00

See application file for complete search history.

(56) **References Cited**

**U.S. PATENT DOCUMENTS**

D366,638 S 1/1996 Tucker et al.  
D382,841 S 8/1997 Norwood et al.  
D395,860 S 7/1998 Meryman et al.

D403,636 S 1/1999 Meryman et al.  
D411,494 S 6/1999 Meryman et al.  
D422,251 S 4/2000 Bader et al.  
D435,816 S \* 1/2001 Delashaw ..... D12/173  
D436,563 S \* 1/2001 Delashaw ..... D12/173  
D484,077 S \* 12/2003 Conway ..... D12/173  
D497,581 S 10/2004 Conway et al.  
D502,901 S \* 3/2005 Delashaw ..... D12/173  
D531,947 S 11/2006 Angelo et al.

(Continued)

**OTHER PUBLICATIONS**

Kenworth T680, Published date unavailable [online], [retrieved on Jan. 12, 2022]. Retrieved from the Internet: <https://www.kenworth.com/trucks/t680-next-gen/> (Year: 2022).\*

(Continued)

*Primary Examiner* — Cary M Robinson

*Assistant Examiner* — Adam C Mager

(74) *Attorney, Agent, or Firm* — Seed IP Law Group LLP

(57) **CLAIM**

The ornamental design for a hood for a vehicle, as shown and described.

**DESCRIPTION**

FIG. 1 is a perspective view of a hood for a vehicle, showing our new design.

FIG. 2 is a front elevational view thereof.

FIG. 3 is a rear elevational view thereof.

FIG. 4 is a left side elevational view thereof.

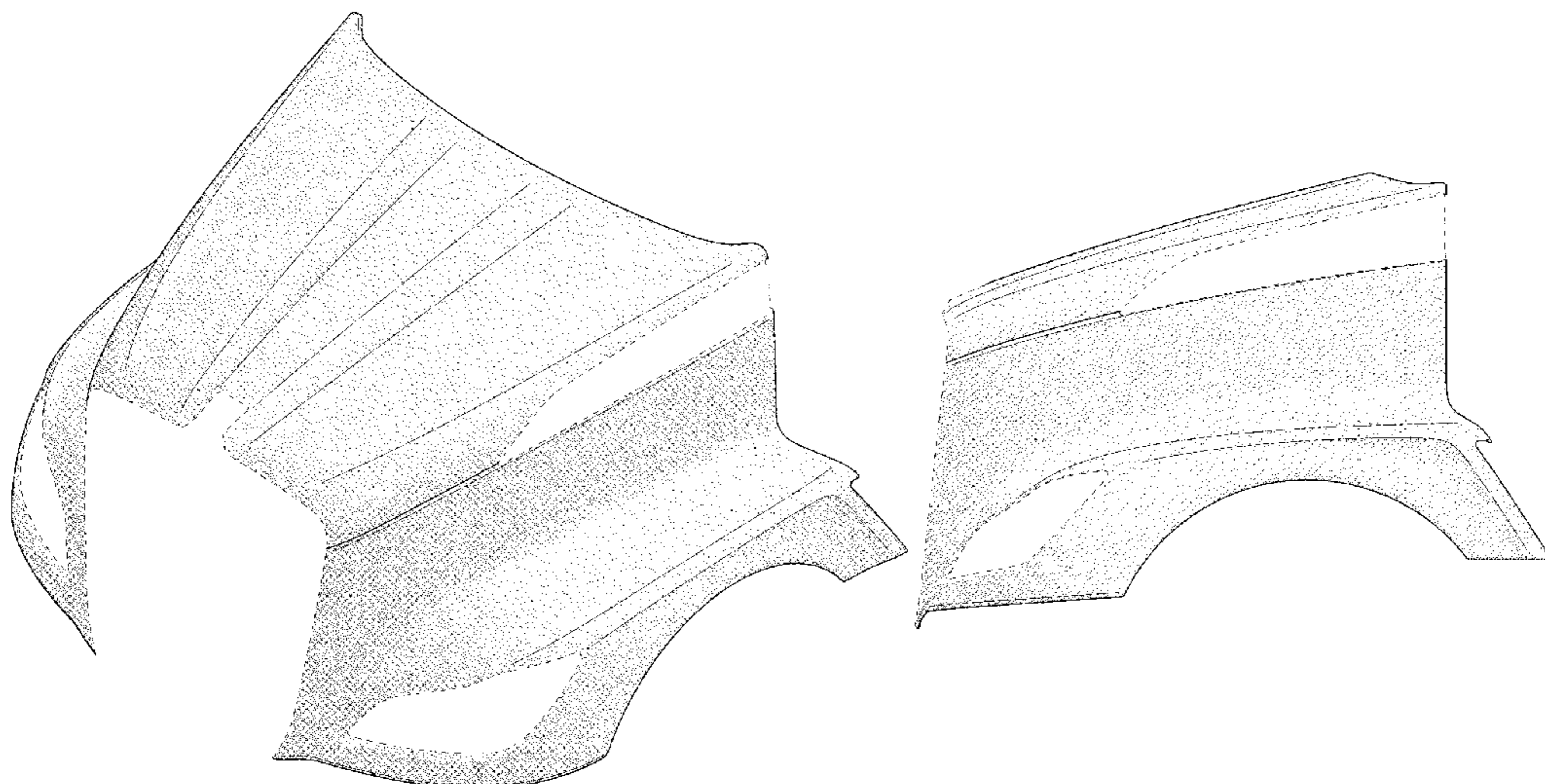
FIG. 5 is a right side elevational view thereof.

FIG. 6 is a top plan view thereof; and,

FIG. 7 is a bottom plan view thereof.

Stippling and tangency lines in the drawings represent the three-dimensional contours of the design, and are not intended to indicate surface decoration. The broken lines shown in the drawings depict portions of the hood for a vehicle in which the design is embodied that form no part of the claimed design.

**1 Claim, 7 Drawing Sheets**



(56)

References Cited

U.S. PATENT DOCUMENTS

D532,350 S 11/2006 Angelo et al.  
 D532,352 S 11/2006 Angelo et al.  
 D540,725 S \* 4/2007 Gunter ..... D12/173  
 D545,250 S 6/2007 Angelo et al.  
 D545,251 S 6/2007 Angelo et al.  
 D545,254 S 6/2007 Angelo et al.  
 D560,575 S 1/2008 Simons et al.  
 D560,582 S 1/2008 Simons et al.  
 D560,583 S 1/2008 Simons et al.  
 D563,849 S 3/2008 Medina et al.  
 D563,850 S 3/2008 Rosen et al.  
 D563,851 S 3/2008 Rosen et al.  
 D563,852 S 3/2008 Rosen et al.  
 D571,696 S 6/2008 Rosen et al.  
 D578,453 S 10/2008 Raghavendran et al.  
 D588,512 S 3/2009 Raghavendran et al.  
 D621,754 S 8/2010 Angelo et al.  
 D622,188 S 8/2010 Angelo et al.  
 D632,234 S 2/2011 Peltola et al.  
 D647,832 S 11/2011 Medina et al.  
 D654,401 S \* 2/2012 Peltola ..... D12/96  
 D654,417 S 2/2012 Peltola et al.  
 D686,122 S 7/2013 Peltola et al.  
 D690,242 S 9/2013 Conway et al.  
 D690,632 S 10/2013 Peltola et al.  
 D699,650 S 2/2014 Peltola et al.  
 D699,651 S 2/2014 Peltola et al.  
 D706,690 S 6/2014 Peltola et al.  
 D707,160 S \* 6/2014 Peltola ..... D12/173  
 D707,161 S 6/2014 Peltola et al.  
 D707,163 S 6/2014 Peltola et al.  
 D708,104 S 7/2014 Conway et al.  
 D708,553 S \* 7/2014 Conway ..... D12/96  
 D708,985 S \* 7/2014 Peltola ..... D12/96  
 D708,986 S 7/2014 Conway et al.  
 D708,999 S 7/2014 Conway et al.  
 D709,000 S 7/2014 Peltola et al.  
 D709,001 S 7/2014 Conway et al.  
 D709,406 S 7/2014 Conway et al.  
 D709,407 S 7/2014 Conway et al.  
 D709,408 S \* 7/2014 Peltola ..... D12/96  
 D709,411 S 7/2014 Peltola et al.  
 D709,421 S 7/2014 Conway et al.  
 D709,422 S 7/2014 Peltola et al.  
 D709,423 S 7/2014 Peltola et al.  
 D709,424 S 7/2014 Conway et al.  
 D709,425 S 7/2014 Conway et al.  
 D729,709 S 5/2015 Conway et al.  
 D782,381 S 3/2017 Conway et al.  
 D805,981 S 12/2017 Conway et al.  
 D862,319 S \* 10/2019 Duncan ..... D12/173  
 D862,320 S 10/2019 Duncan et al.  
 D862,321 S 10/2019 Duncan et al.  
 D862,322 S 10/2019 Duncan et al.  
 D862,323 S 10/2019 Duncan et al.  
 D862,324 S 10/2019 Duncan et al.  
 D863,172 S 10/2019 Duncan et al.  
 D885,281 S 5/2020 Duncan et al.  
 D915,252 S 4/2021 Duncan et al.  
 D924,754 S 7/2021 Duncan et al.  
 D924,755 S 7/2021 Duncan et al.  
 D925,416 S \* 7/2021 Duncan ..... D12/173

OTHER PUBLICATIONS

“T800,” Kenworth Truck Company, 2002, 32-page brochure.  
 “T800,” Kenworth Truck Company, 2003, 32-page brochure.  
 “T800,” Kenworth Truck Company, 2005, 28-page brochure.  
 “T800,” Kenworth Truck Company, 2009, 28-page brochure.  
 “T800B,” Kenworth Truck Company, 1993, 8-page brochure.  
 Peterbilt Motors Company, “The Working Class,” Sep. 1976, 6-page brochure.  
 “The World’s Best,” Kenworth Truck Company, 1992, 12-page brochure.

“W900,” Kenworth Truck Company, 1996, 7-page brochure.  
 “W900,” Kenworth Truck Company, 2002, 32-page brochure.  
 “W900,” Kenworth Truck Company, 2005, 32-page brochure.  
 “W900,” Kenworth Truck Company, 2009, 28-page brochure.  
 Kenworth Truck Company, “W900L AeroCab,” 1994, 2-page brochure.  
 Kenworth Truck Company, “AeroCab,” 1993, 6-page brochure.  
 “AeroCab,” Kenworth Truck Company, as early as 1995, 3-page brochure.  
 “C500B,” Kenworth Truck Company, as early as 1990, 4-page brochure.  
 Peterbilt Motors Company, “Class Pays, Medium Duty,” Sep. 2000, 12-page brochure.  
 “Class Pays, Truck Models,” Peterbilt Motors Company, Mar. 2005, 24-page brochure.  
 “Class Pays,” Peterbilt Motors Company, Nov. 1998, 10-page brochure.  
 Peterbilt Motors Company, “Class Pays,” Sep. 1997, 10-page brochure.  
 “Class Pays, Construction Trucks,” Peterbilt Motors Company, Nov. 2003, 16-page brochure.  
 “Kenworth Truck Models,” Kenworth Truck Company, 2010, 16-page brochure.  
 Peterbilt Motors Company, “Model 330,” Oct. 1997, 3-page brochure.  
 Peterbilt Motors Company, “Model 379,” Apr. 2005, 2-page brochure.  
 Peterbilt Motors Company, “Model 379,” Mar. 1996, 5-page brochure.  
 Peterbilt Motors Company, “Rest with Class,” Apr. 1978, 4-page brochure.  
 “T170 Class 5,” Kenworth Truck Company, 2008, 4-page brochure.  
 “T270 Class 6 and T370 Class 7,” Kenworth Truck Company, 2008, 6-page brochure.  
 “T270 Class 6 and T370 Class 7,” Kenworth Truck Company, 2009, 6-page brochure.  
 “T270 Class 6 and T370 Class 7 Hybrid,” Kenworth Truck Company, 2009, 6-page brochure.  
 “T680,” Kenworth Truck Company, 2013, 34-page brochure.  
 “T680,” Kenworth Truck Company, 2016, 34-page brochure.  
 “T880,” Kenworth Truck Company, 2017, 32-page brochure.  
 “Model 579,” Peterbilt Motors Company, Oct. 2013, 13-page brochure.  
 “Medium Duty,” Peterbilt Motors Company, 2013, 9-page brochure.  
 “On-Highway,” Peterbilt Motors Company, 2013, 13-page brochure.  
 “Vocational,” Peterbilt Motors Company, 2013, 11-page brochure.  
 “T440,” Kenworth Truck Company, 2010, 6-page brochure.  
 “T470,” Kenworth Truck Company, 2010, 6-page brochure.  
 “T470H,” Kenworth Truck Company, 2009, 2-page brochure.  
 “Model 220,” Peterbilt Motors Company, 2019, 2-page brochure.  
 “220EV,” Peterbilt Motors Company, 2020, 5-page brochure.  
 “Model 337,” Peterbilt Motors Company, 2020, 2-page brochure.  
 “Model 389,” Peterbilt Motors Company, 2019, 2-page brochure.  
 “Model 348,” Peterbilt Motors Company, 2019, 2-page brochure.  
 “Model 520,” Peterbilt Motors Company, 2019, 2-page brochure.  
 “Model 567,” Peterbilt Motors Company, 2020, 16-page brochure.  
 “567 Heritage,” Peterbilt Motors Company, 2017, 2-page brochure.  
 “Model 579,” Peterbilt Motors Company, 2019, 28-page brochure.  
 “C500,” Kenworth Truck Company, 2012, 2-page brochure.  
 “T680,” Kenworth Truck Company, 2019, 40-page brochure.  
 “T800,” Kenworth Truck Company, 2012, 28-page brochure.  
 “T440/T470,” Kenworth Truck Company, 2015, 8-page brochure.  
 “K270E/K370E,” Kenworth Truck Company, 2020, 4-page brochure.  
 “T270/T370,” Kenworth Truck Company, 2019, 16-page brochure.  
 “K270/K370,” Kenworth Truck Company, 2014, 12-page brochure.  
 “W990,” Kenworth Truck Company, 2018, 32-page brochure.  
 “T880,” Kenworth Truck Company, 2019, 36-page brochure.  
 “Model 367,” Peterbilt Motors Company, <https://www.peterbilt.com/trucks/vocational/model-367>, retrieved Nov. 20, 2020, 12 pages.  
 “Model 365,” Peterbilt Motors Company, <https://www.peterbilt.com/trucks/vocational/model-365>, retrieved Nov. 20, 2020, 11 pages.

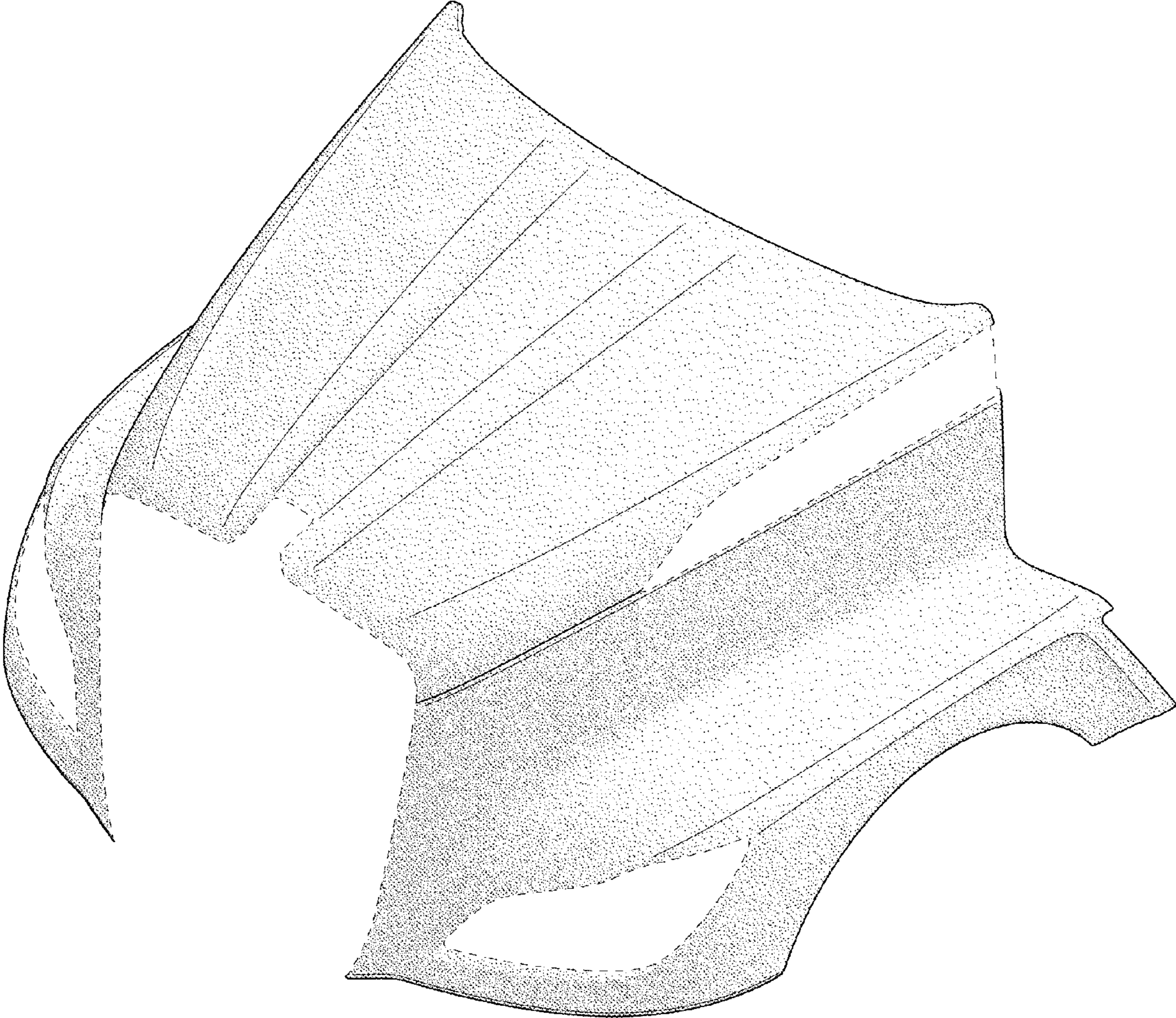
(56)

**References Cited**

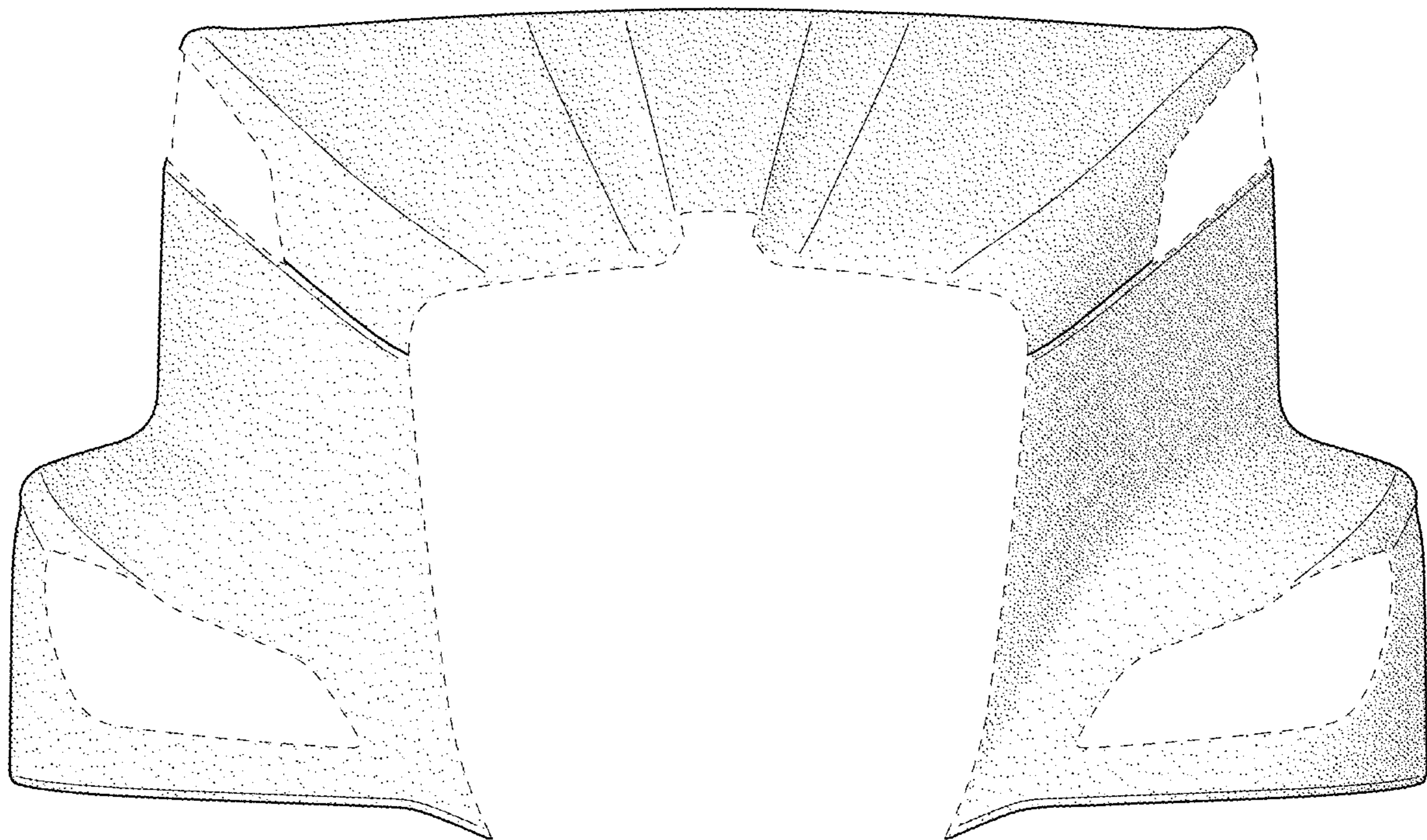
OTHER PUBLICATIONS

“Model 325,” Peterbilt Motors Company, <https://www.peterbilt.com/trucks/medium-duty/model-325>, retrieved Nov. 20, 2020, 12 pages.

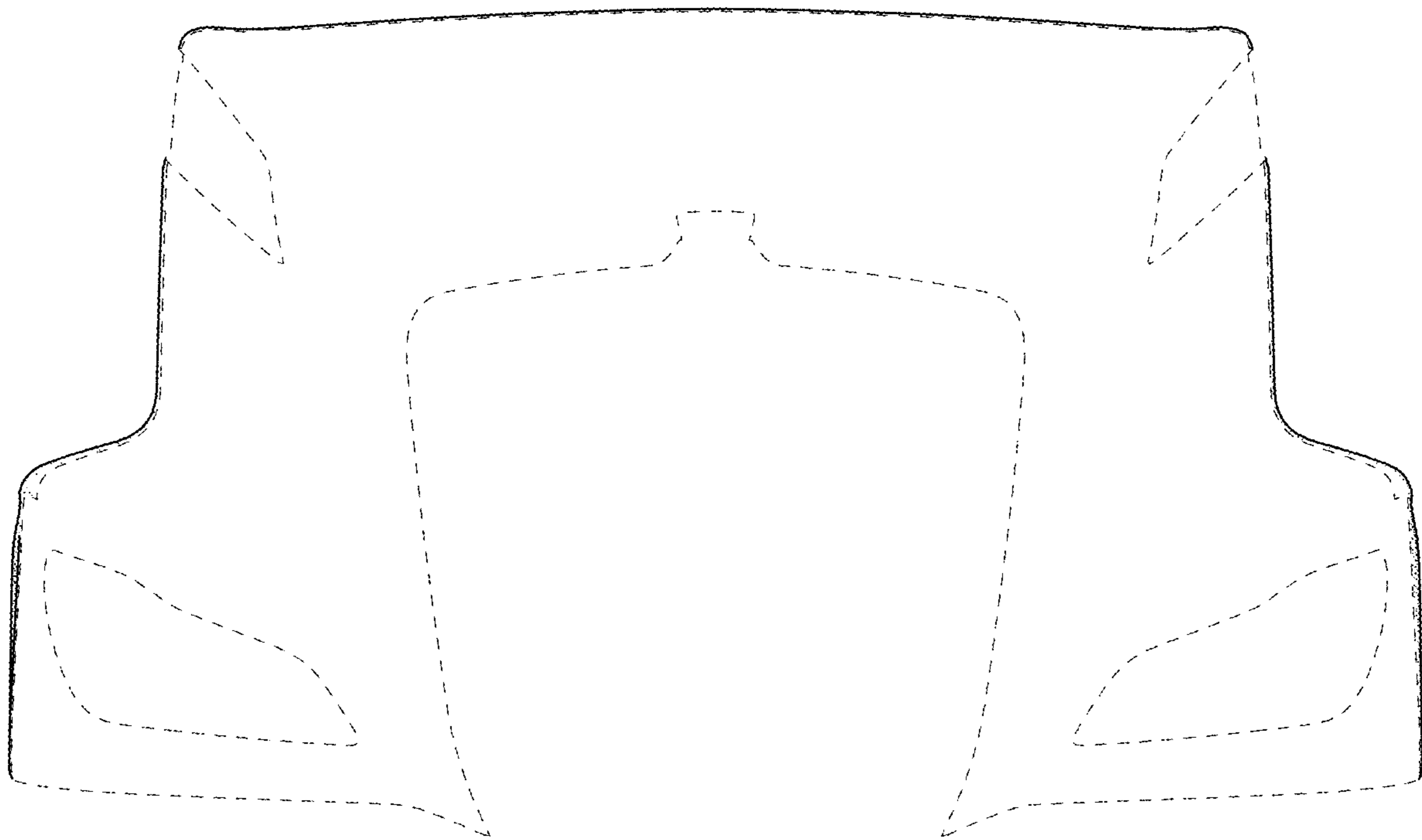
\* cited by examiner



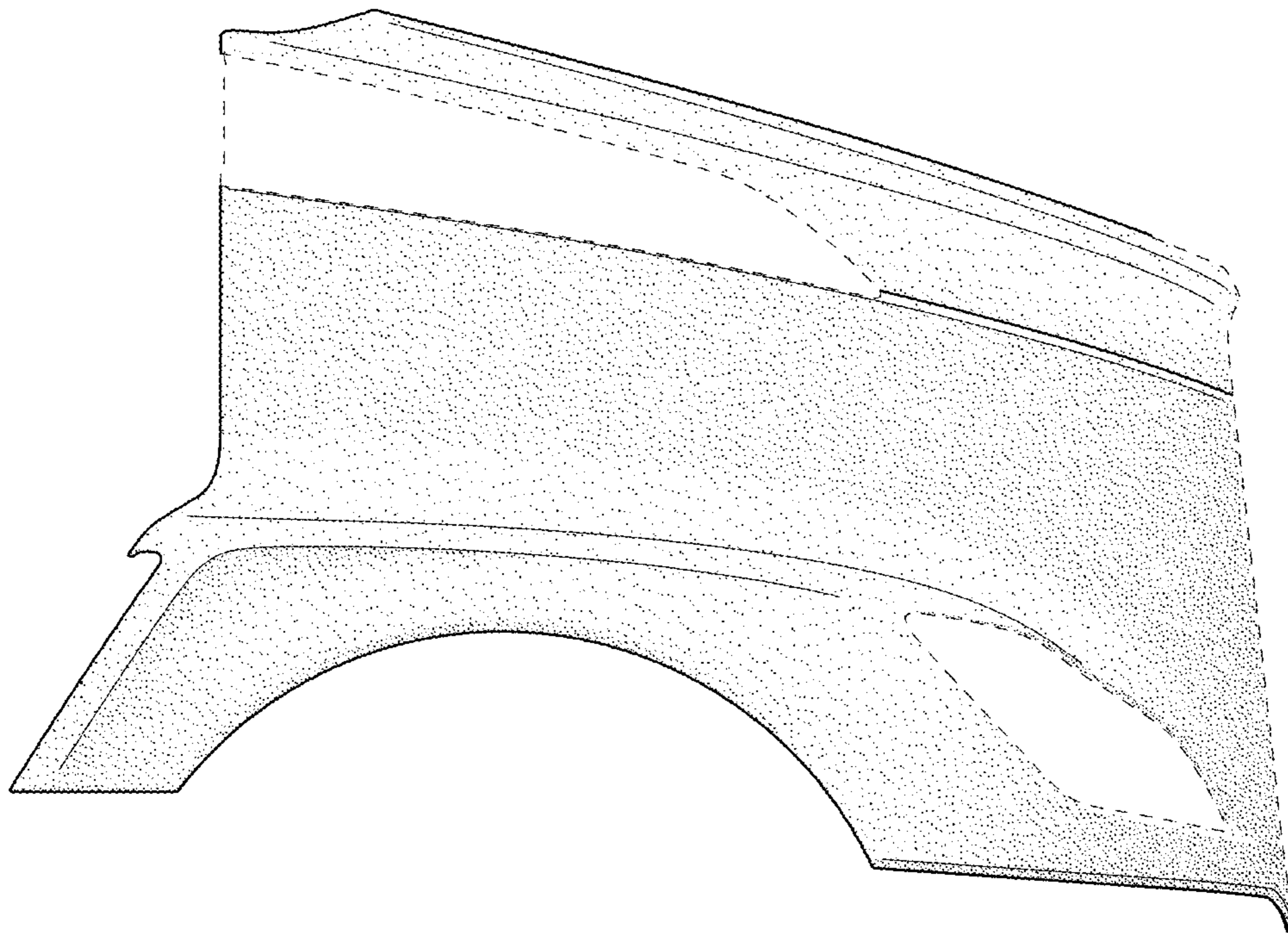
**FIG. 1**



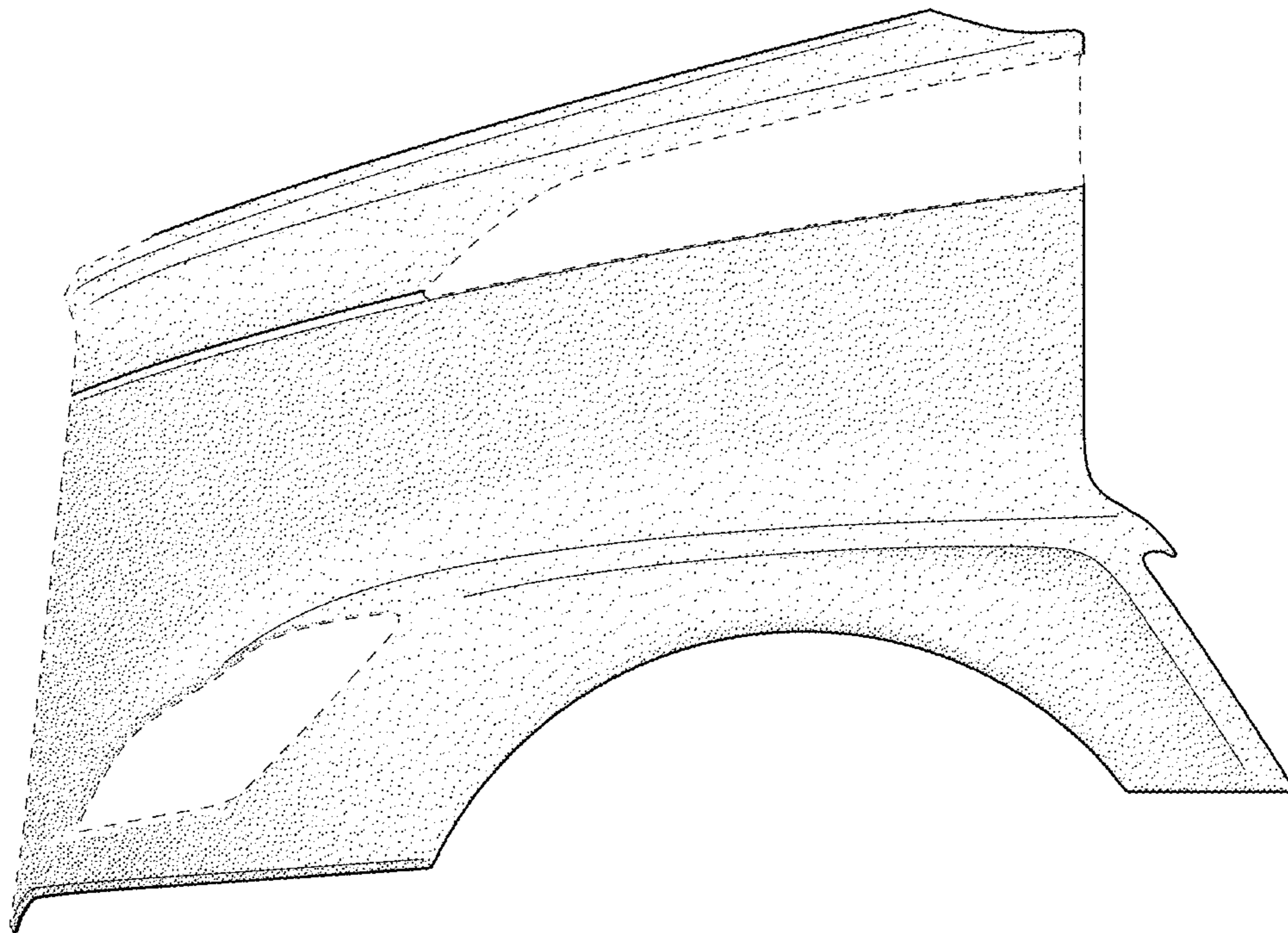
***FIG. 2***



***FIG. 3***

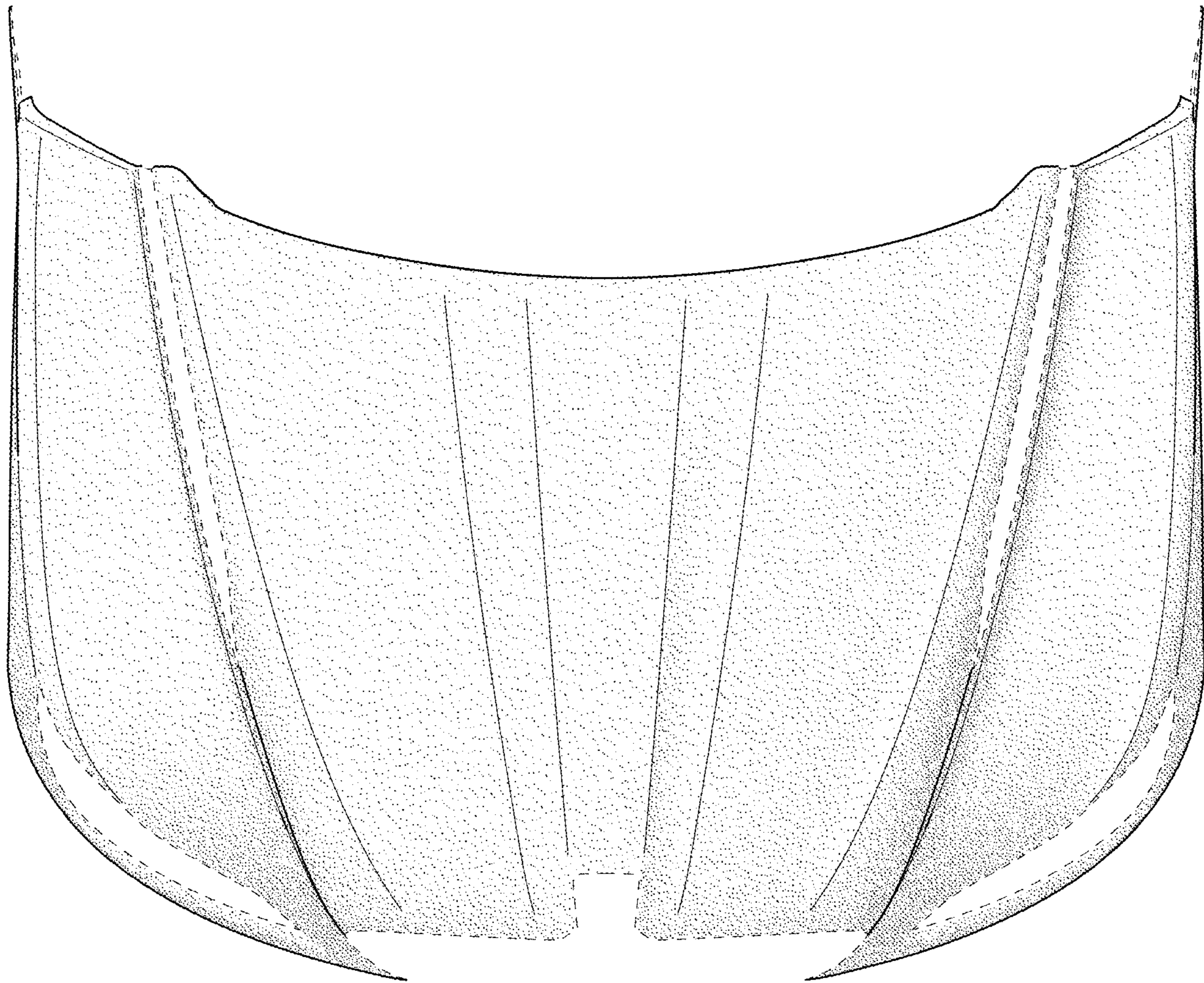


***FIG. 4***

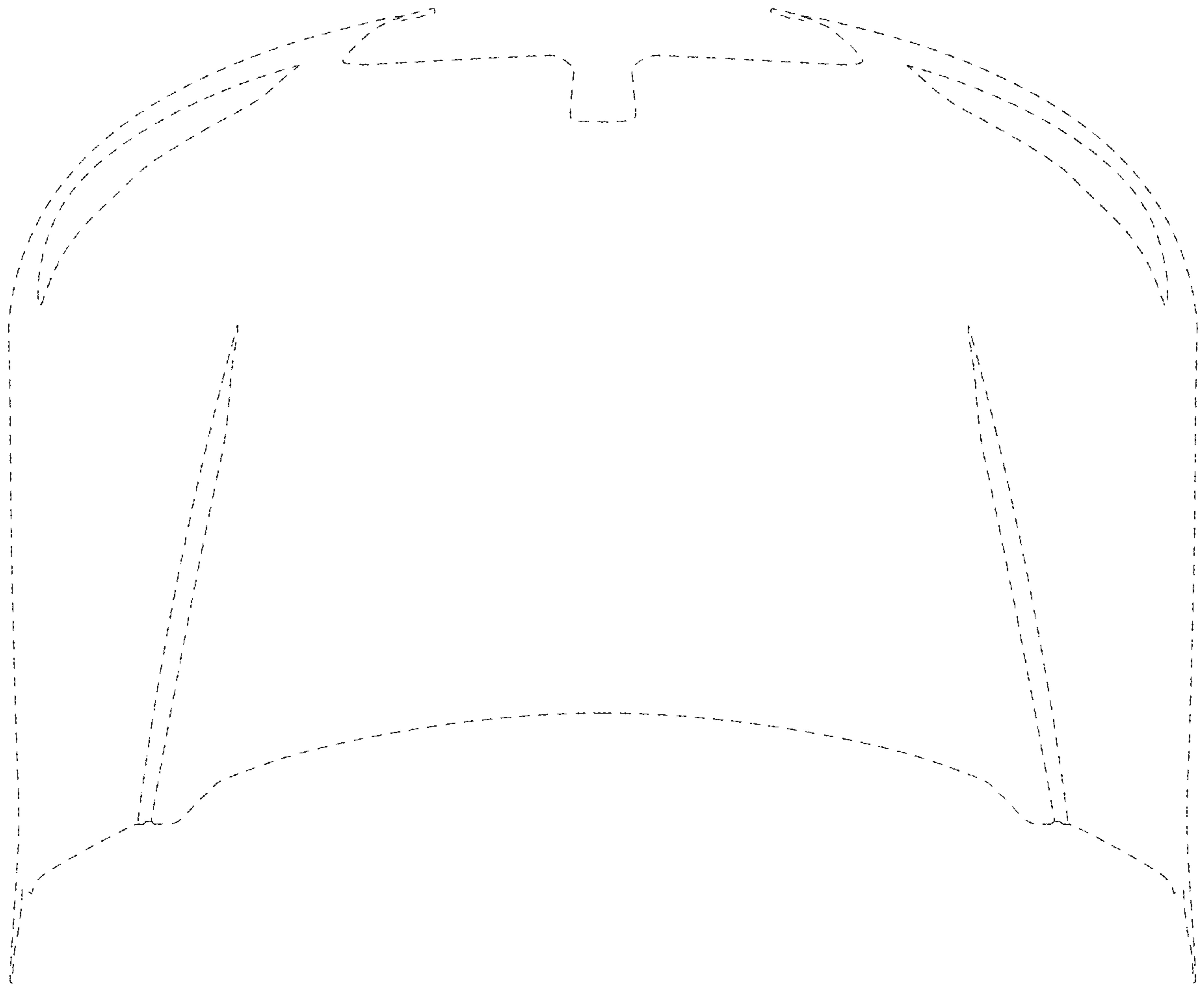


***FIG. 5***





***FIG. 6***



***FIG. 7***