



US00D980765S

(12) **United States Design Patent**
Jung et al.

(10) **Patent No.:** **US D980,765 S**

(45) **Date of Patent:** **** Mar. 14, 2023**

(54) **FRONT BUMPER FOR AN AUTOMOBILE**

CPC B60R 19/02; B60R 19/04; B62D 25/08
See application file for complete search history.

(71) Applicants: **Hyundai Motor Company**, Seoul (KR); **Kia Corporation**, Seoul (KR)

(56) **References Cited**

(72) Inventors: **Hyun Seok Jung**, Suwon-si (KR);
Myung Jin Jung, Hwaseong-si (KR)

U.S. PATENT DOCUMENTS

(73) Assignees: **Hyundai Motor Company**, Seoul (KR); **Kia Corporation**, Seoul (KR)

D856,213 S *	8/2019	Kubo	D12/169
D873,918 S *	1/2020	Allen	D21/302
D886,692 S *	6/2020	Yokoi	D12/169
D906,907 S *	1/2021	Yagi	D12/169
D935,354 S *	11/2021	Asano	B60R 19/12
			D12/169
D962,122 S *	8/2022	Kabaň	B60R 19/52
			D12/91
D964,897 S *	9/2022	Kim	D12/92

(**) Term: **15 Years**

(21) Appl. No.: **35/513,566**

* cited by examiner

(22) Filed: **Aug. 11, 2021**

Primary Examiner — Melody N Brown

(80) **Hague Agreement Data**

Int. Filing Date: **Aug. 11, 2021**

(74) *Attorney, Agent, or Firm* — Fox Rothschild LLP

Int. Reg. No.: **DM/215884**

Int. Reg. Date: **Aug. 11, 2021**

Int. Reg. Pub. Date: **Feb. 11, 2022**

(57) **CLAIM**

The ornamental design for a front bumper for an automobile, as shown and described.

(30) **Foreign Application Priority Data**

Feb. 22, 2021 (KR) 30-2021-0008792

DESCRIPTION

(51) **LOC (14) Cl.** **12-16**

(52) **U.S. Cl.**
USPC **D12/169**

(58) **Field of Classification Search**
USPC D12/169, 196, 86, 90-92, 163, 190, 98,
D12/164; 293/102, 113, 115, 117, 120,
293/193.11; 296/180.1, 180.2

1. Front bumper for an automobile

1.1 : Front Perspective

1.2 : Front

1.3 : Back

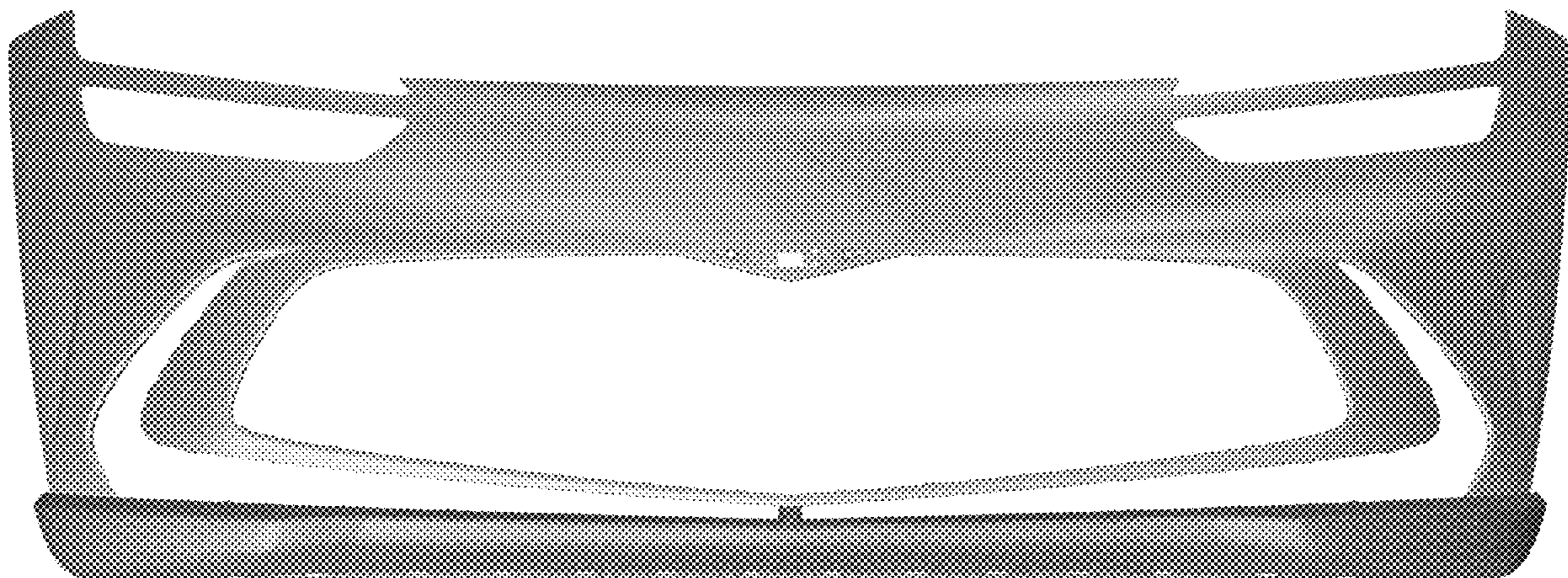
1.4 : Left

1.5 : Right

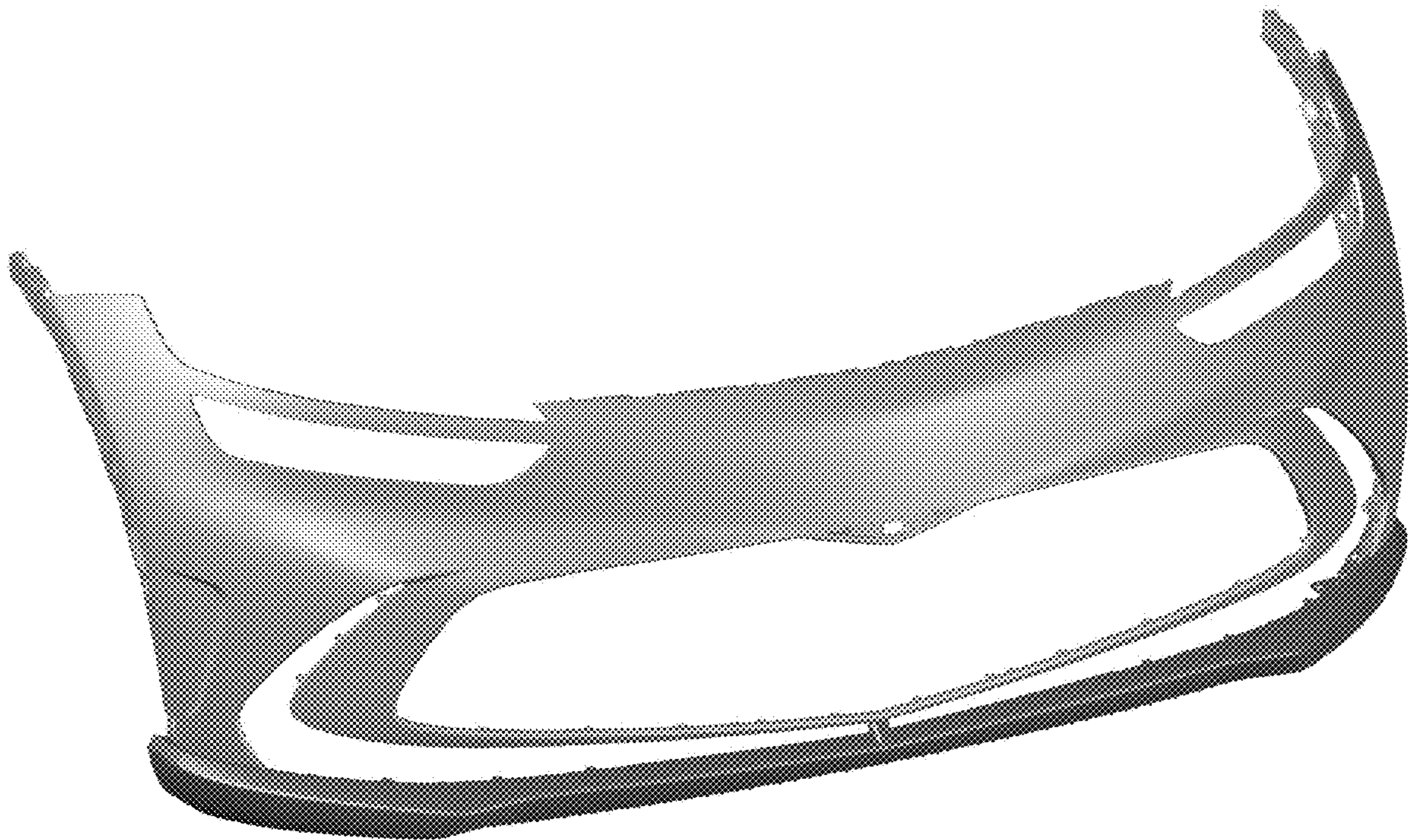
1.6 : Top

1.7 : Bottom

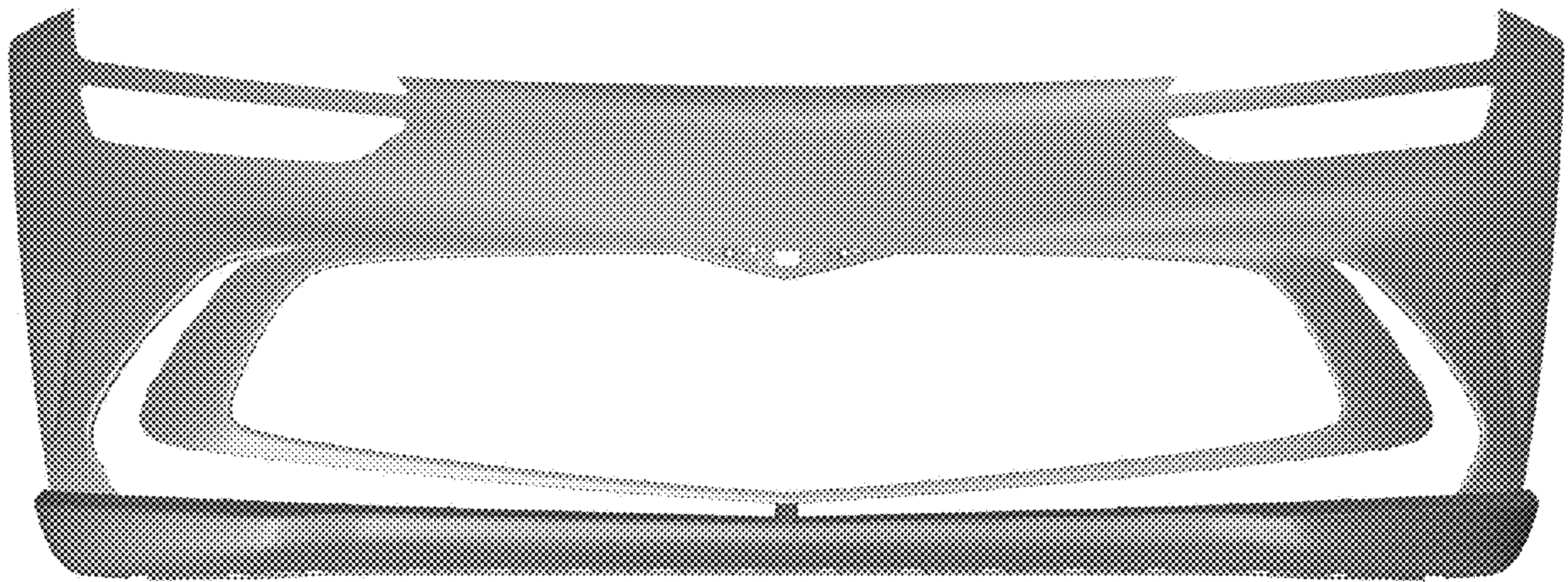
1 Claim, 7 Drawing Sheets



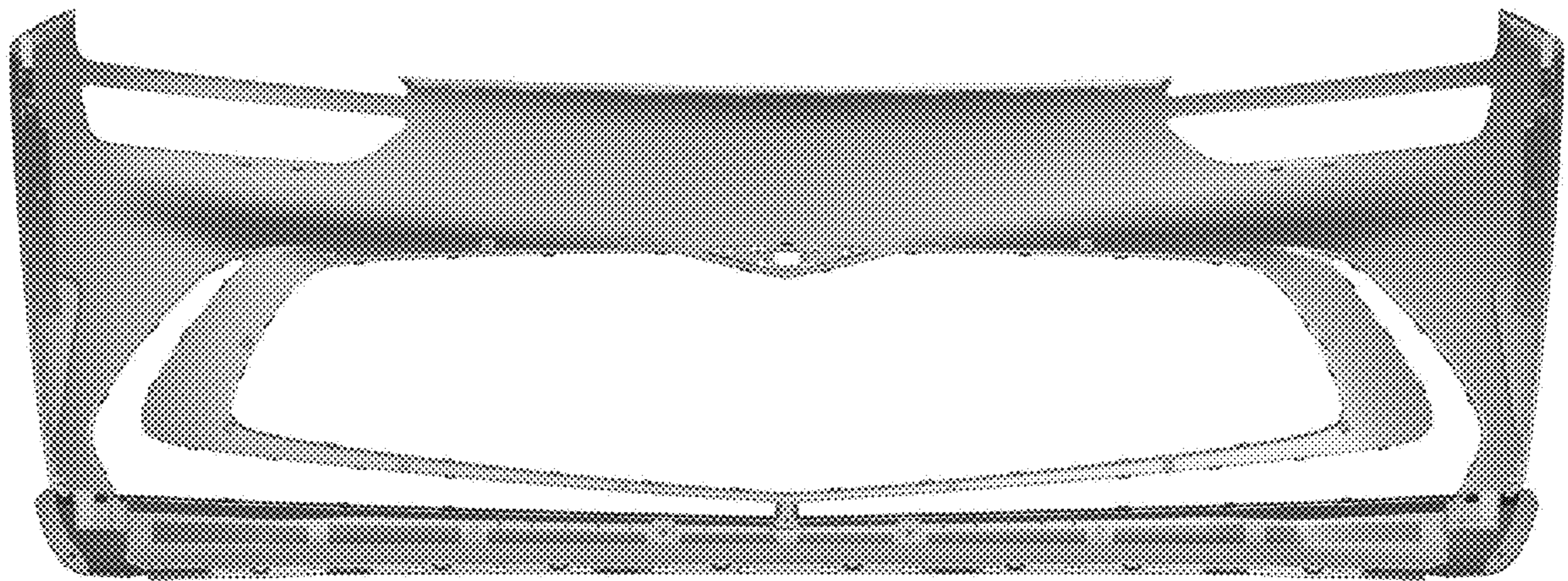
1.1



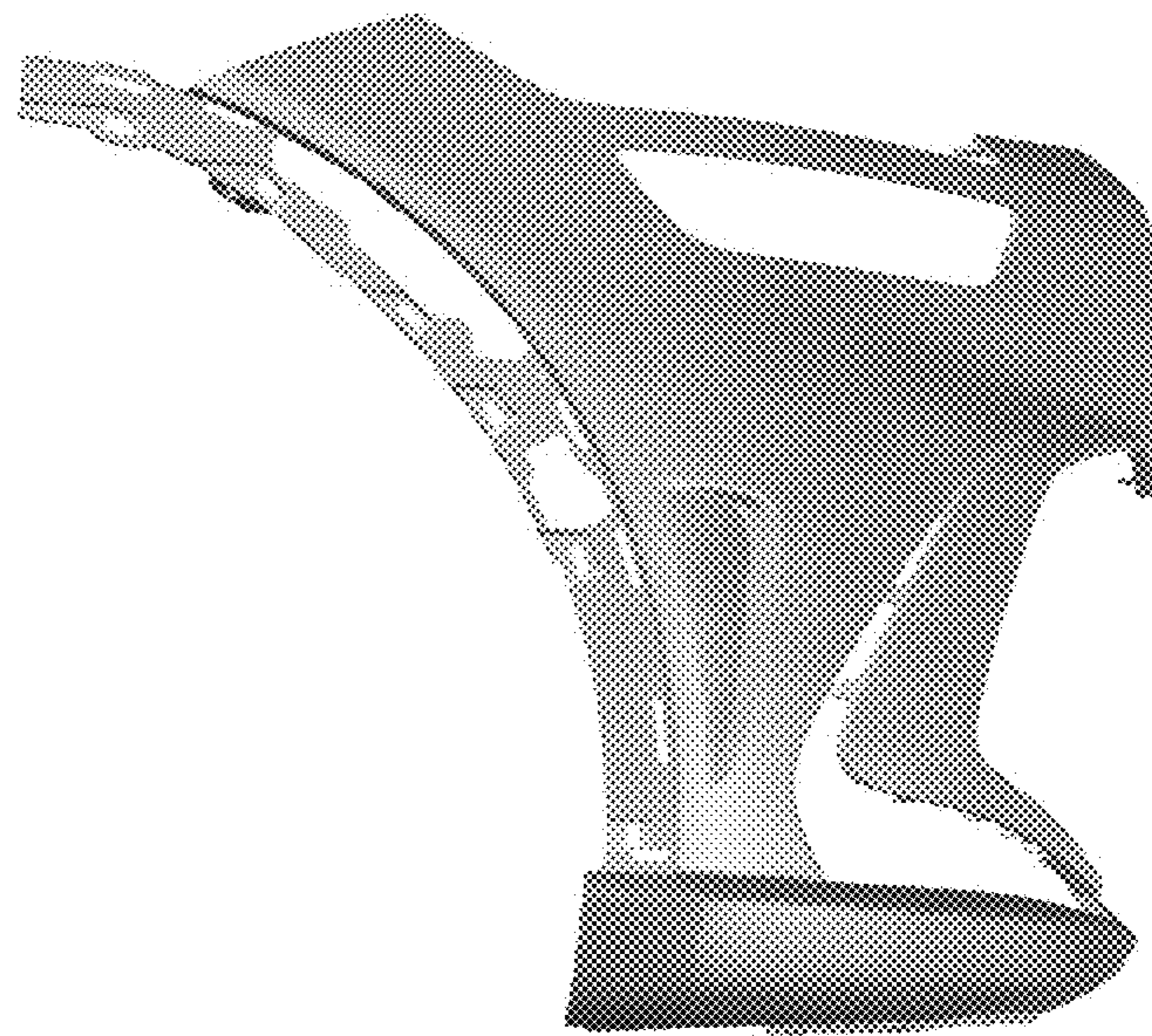
1.2



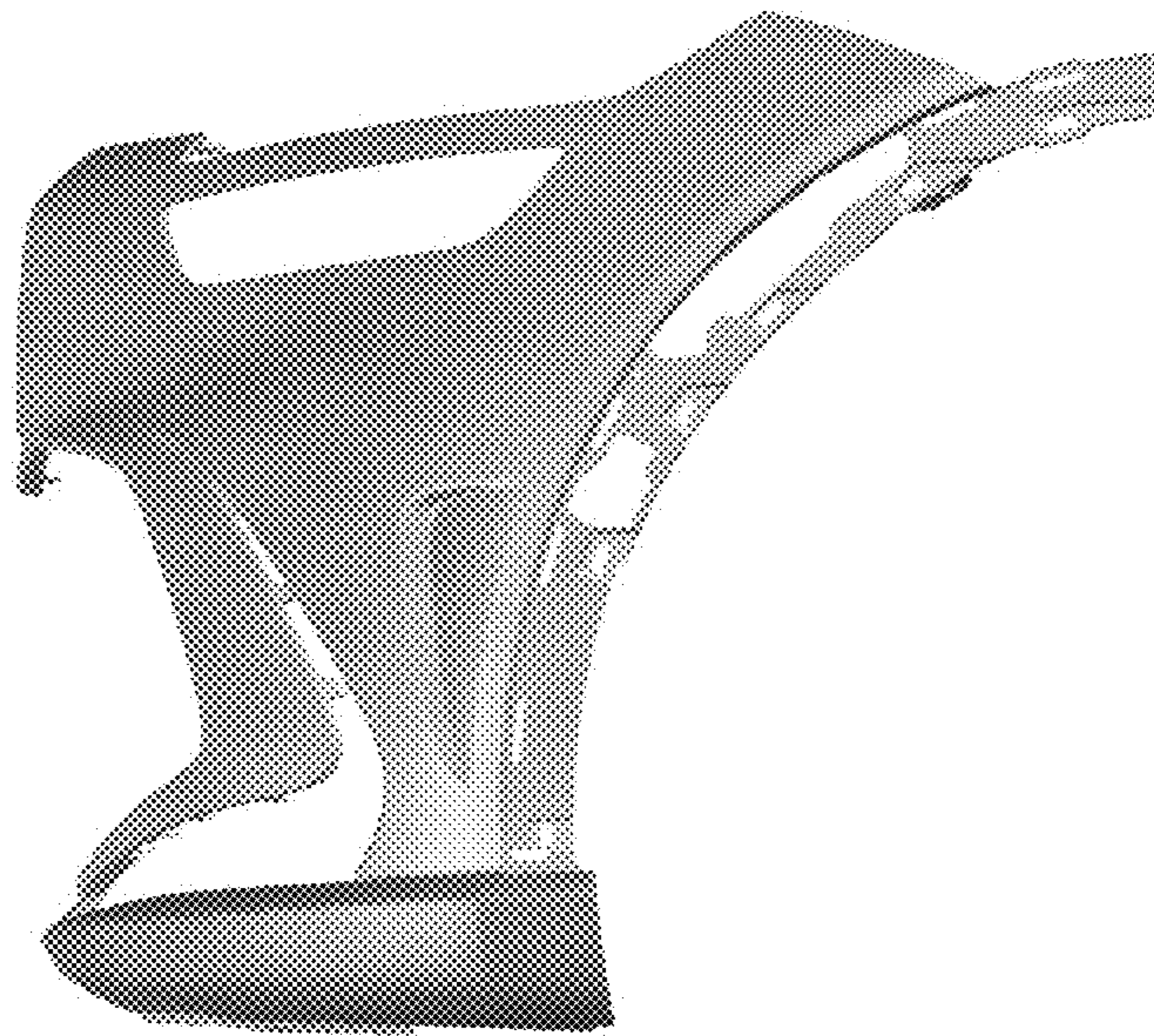
1.3



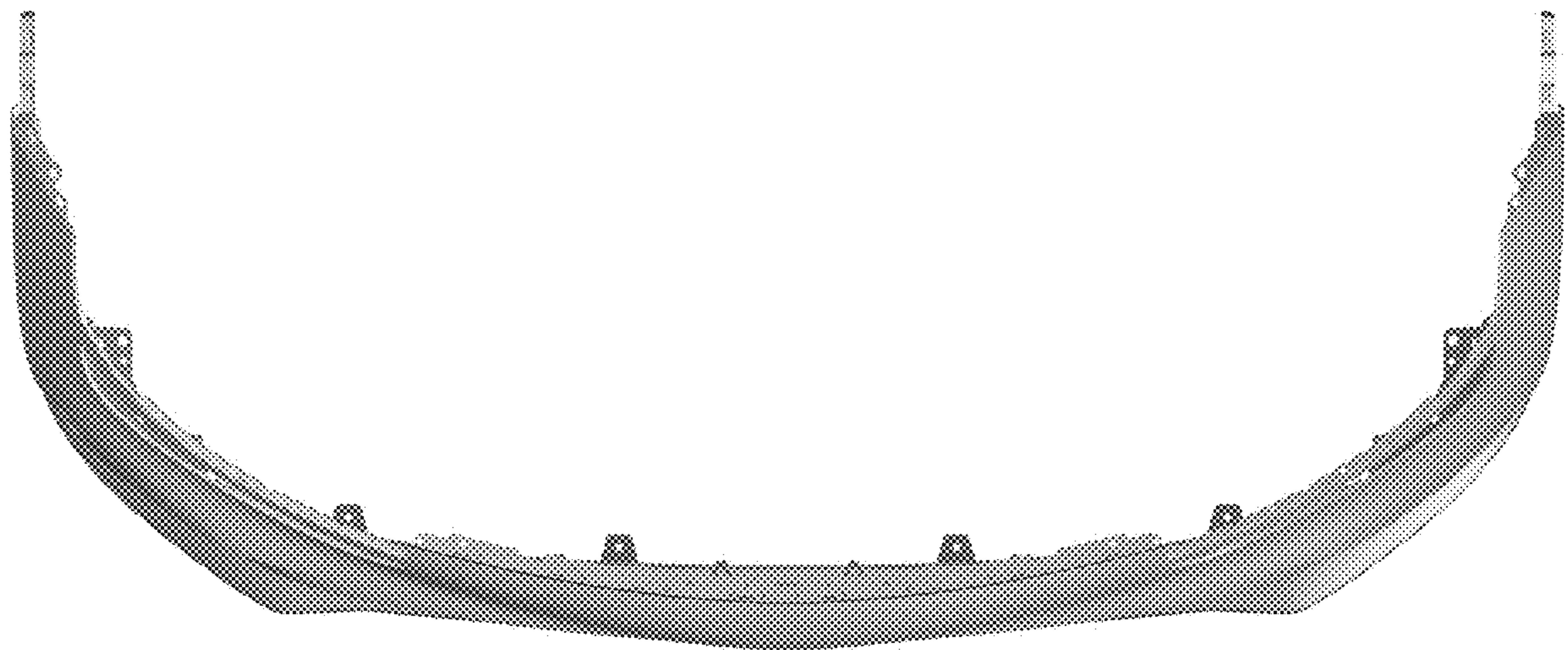
1.4



1.5



1.6



1.7

