

US00D980764S

(12) **United States Design Patent** (10) **Patent No.:** **US D980,764 S**  
**Jeong et al.** (45) **Date of Patent:** **\*\* Mar. 14, 2023**

(54) **FRONT BUMPER COVER FOR VEHICLES**

8,157,303 B2 \* 4/2012 Fortin ..... B60R 19/52  
293/115

(71) Applicants: **HYUNDAI MOTOR COMPANY**,  
Seoul (KR); **KIA CORPORATION**,  
Seoul (KR)

D817,826 S \* 5/2018 Seo ..... D12/169  
D855,511 S \* 8/2019 Smith ..... D12/169  
D870,612 S \* 12/2019 Tonello ..... D12/169

(72) Inventors: **Yong-Won Jeong**, Hwaseong-si (KR);  
**Ki-Euk Kim**, Hwaseong-si (KR)

D945,929 S \* 3/2022 Kim ..... D12/92  
D946,474 S \* 3/2022 Kim ..... D12/169  
D949,045 S \* 4/2022 Parvex ..... B60R 19/52  
D11/86

(73) Assignees: **Hyundai Motor Company**, Seoul  
(KR); **Kia Corporation**, Seoul (KR)

D955,294 S \* 6/2022 Kim ..... D12/91  
D955,306 S \* 6/2022 Oh ..... B60R 19/12  
D12/169

(\*\*) Term: **15 Years**

D955,943 S \* 6/2022 Oh ..... B60R 19/12  
D12/169  
D959,332 S \* 8/2022 Kim ..... D12/91

(21) Appl. No.: **35/513,545**

\* cited by examiner

(22) Filed: **Jan. 19, 2022**

*Primary Examiner* — Melody N Brown

(80) **Hague Agreement Data**

(74) *Attorney, Agent, or Firm* — Fox Rothschild LLP

Int. Filing Date: **Jan. 19, 2022**

Int. Reg. No.: **DM/218631**

Int. Reg. Date: **Jan. 19, 2022**

Int. Reg. Pub. Date: **Feb. 4, 2022**

(30) **Foreign Application Priority Data**

Sep. 29, 2021 (KR) ..... 30-2021-0046052

(51) **LOC (14) Cl.** ..... **12-16**

(52) **U.S. Cl.**  
USPC ..... **D12/169**

(58) **Field of Classification Search**

USPC ..... D12/169, 196, 86, 90-92, 163, 190, 98,  
D12/164; 293/102, 113, 115, 117, 120,  
293/193.11; 296/180.1, 180.2

CPC ..... B60R 19/02; B60R 19/04; B62D 25/08  
See application file for complete search history.

(56) **References Cited**

U.S. PATENT DOCUMENTS

8,132,851 B2 \* 3/2012 Steller ..... B60R 19/12  
293/133

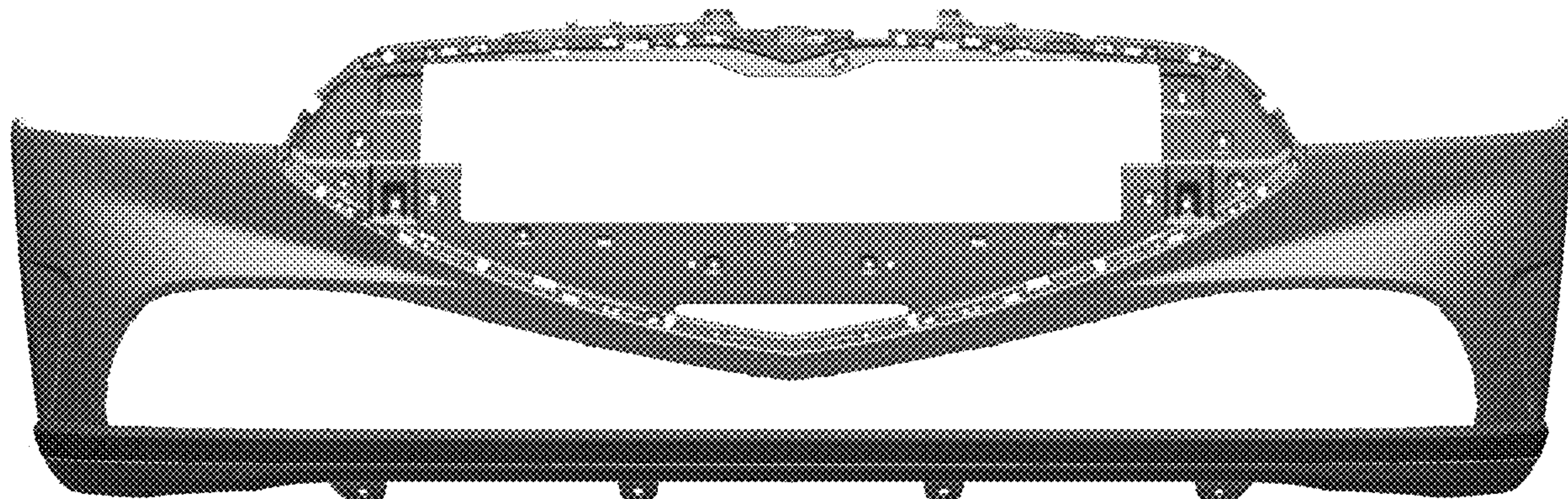
(57) **CLAIM**

The ornamental design for a front bumper cover for vehicles,  
as shown and described.

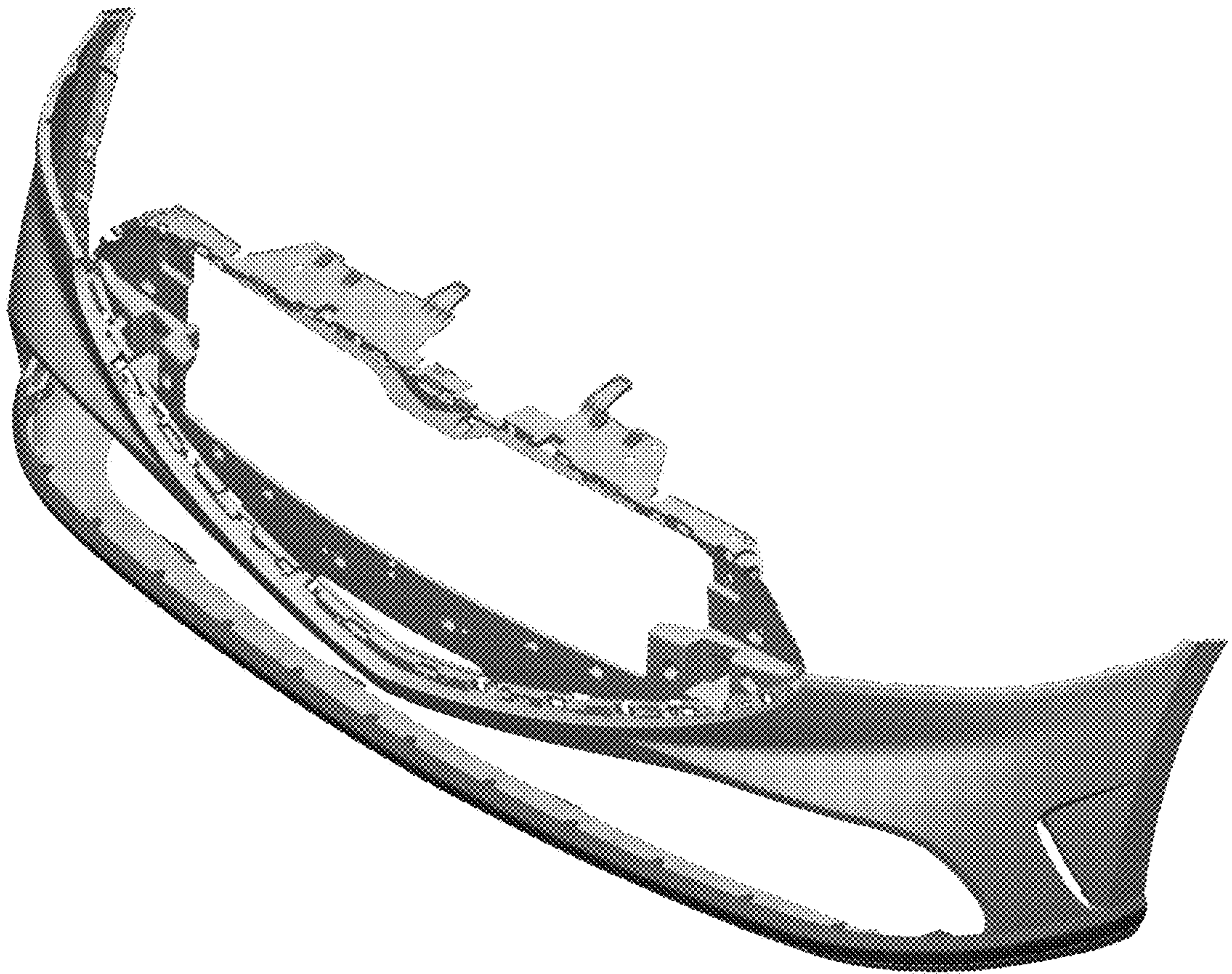
**DESCRIPTION**

- 1. Front bumper cover for vehicles
- 1.1 is a top, front and left side perspective view of a front bumper cover for vehicles showing our new design;
- 1.2 is a front elevation view thereof;
- 1.3 is a top, rear and right side perspective view thereof;
- 1.4 is a right side elevation view thereof;
- 1.5 is a left side elevation view thereof;
- 1.6 is a top plan view thereof;
- 1.7 is a bottom plan view thereof; and,
- 1.8 is a top, rear and right side perspective view thereof.

**1 Claim, 8 Drawing Sheets**

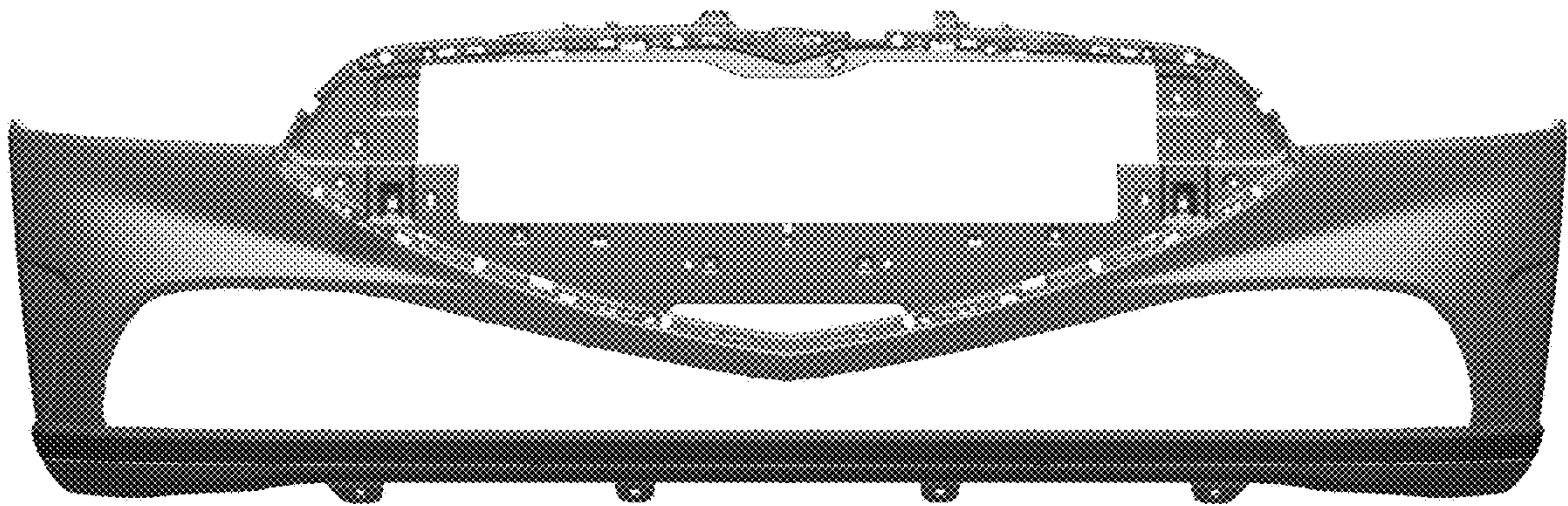


1.1

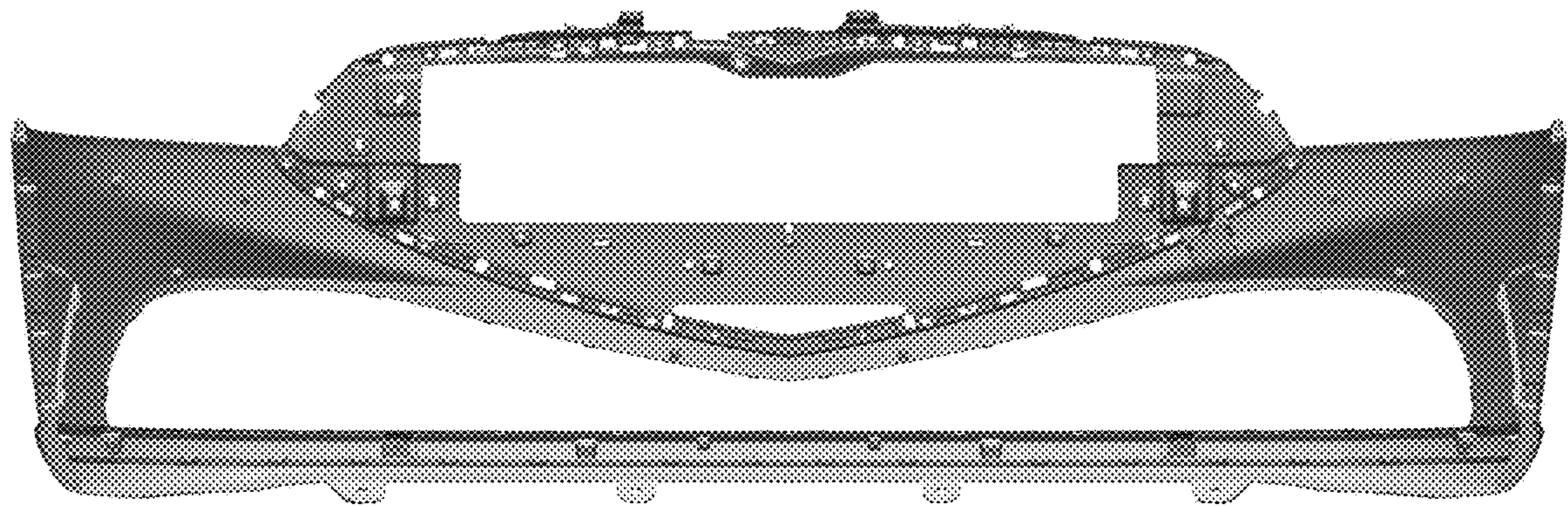




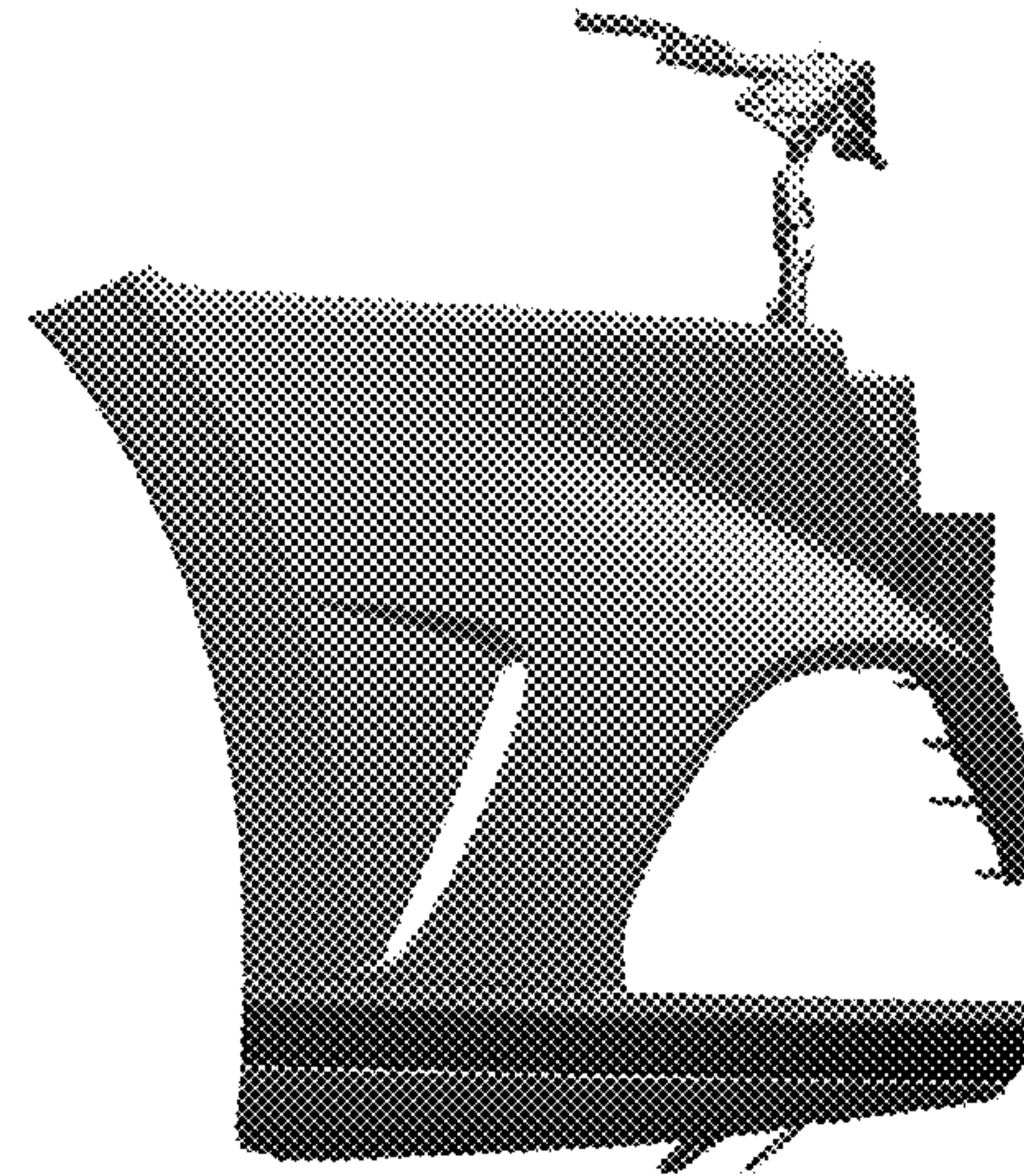
1.2



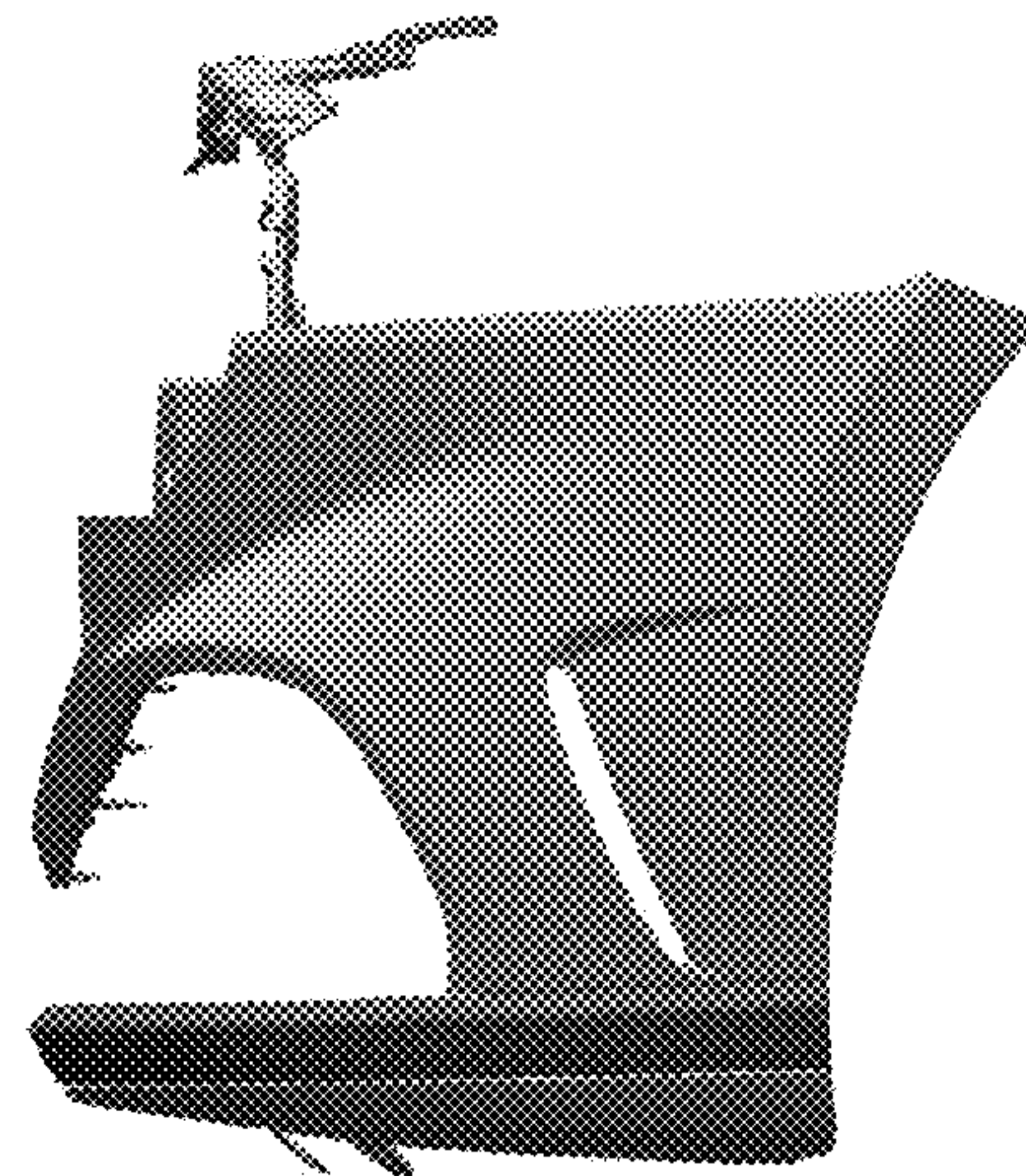
1.3



1.4

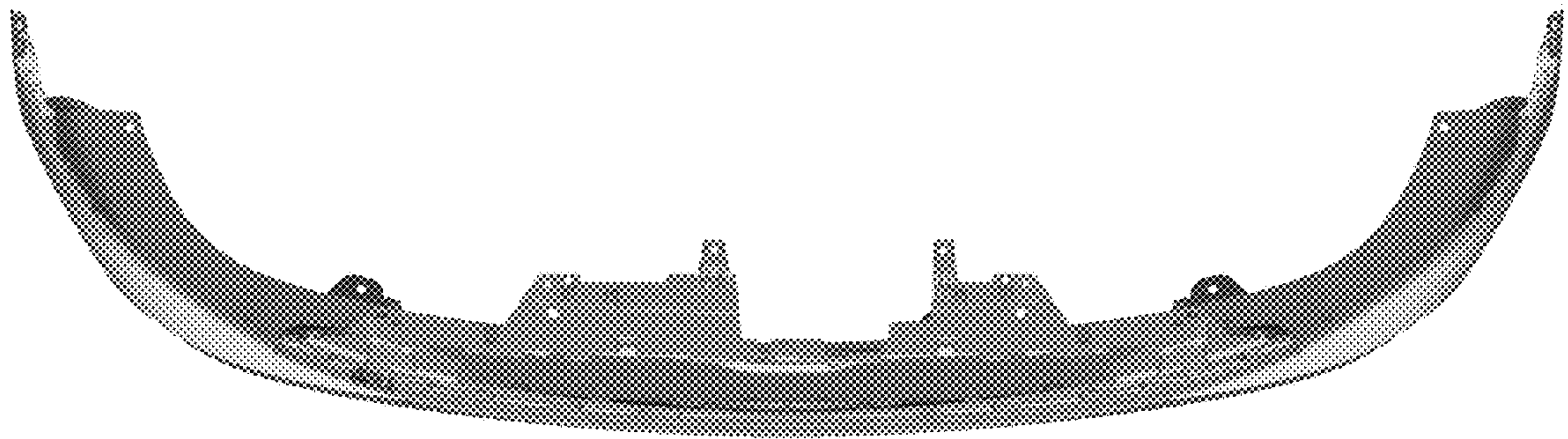


1.5

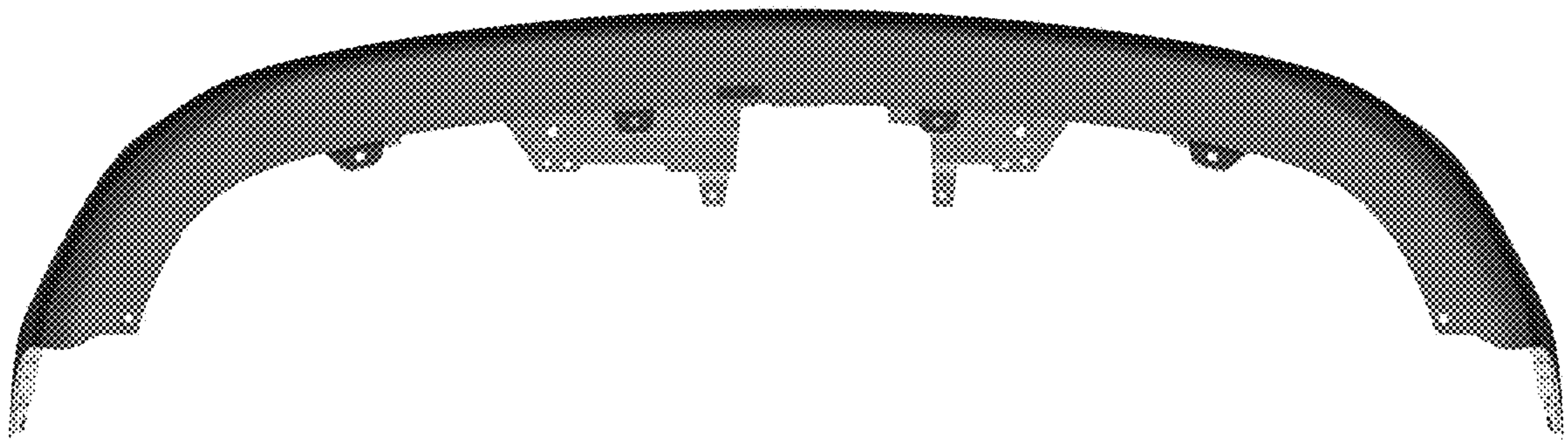




1.6



1.7





1.8

