



US00D980761S

(12) **United States Design Patent**
Fujioka

(10) **Patent No.:** **US D980,761 S**

(45) **Date of Patent:** **** Mar. 14, 2023**

(54) **FRONT BUMPER FOR AN AUTOMOBILE**

(71) Applicant: **Nissan Motor Co., Ltd.**, Kanagawa (JP)

(72) Inventor: **Motoki Fujioka**, Tokyo (JP)

(73) Assignee: **Nissan Motor Co., Ltd.**, Yokohama (JP)

(**) Term: **15 Years**

(21) Appl. No.: **29/799,135**

(22) Filed: **Jul. 13, 2021**

(30) **Foreign Application Priority Data**

Jan. 14, 2021 (JP) 2021-000587 D

(51) **LOC (14) Cl.** **12-16**

(52) **U.S. Cl.**
USPC **D12/169**

(58) **Field of Classification Search**
USPC D12/169, 196, 86, 90-92, 163, 190, 98,
D12/164; 293/102, 113, 115, 117, 120,
293/193.11; 296/180.1, 180.2
CPC B60R 19/02; B60R 19/04; B62D 25/08
See application file for complete search history.

(56) **References Cited**

U.S. PATENT DOCUMENTS

D793,921 S * 8/2017 Takamatsu D12/169
D814,989 S * 4/2018 Ino D12/169

D830,250 S * 10/2018 Tomita D12/169
D841,533 S * 2/2019 Imai D12/169
D902,798 S * 11/2020 Hamilton B60R 19/52
D12/169
D927,369 S * 8/2021 Wakabayashi B60R 19/12
D12/169
D958,025 S * 7/2022 Nakagawa D12/169

* cited by examiner

Primary Examiner — Melody N Brown

(74) *Attorney, Agent, or Firm* — Global IP Counselors, LLP

(57) **CLAIM**

The ornamental design for a front bumper for an automobile, as shown and described.

DESCRIPTION

FIG. 1 is a top, front and right side perspective view of a front bumper for an automobile showing our new design; FIG. 2 is a bottom, front and left side perspective view thereof;

FIG. 3 is a front elevational view thereof;

FIG. 4 is a top plan view thereof;

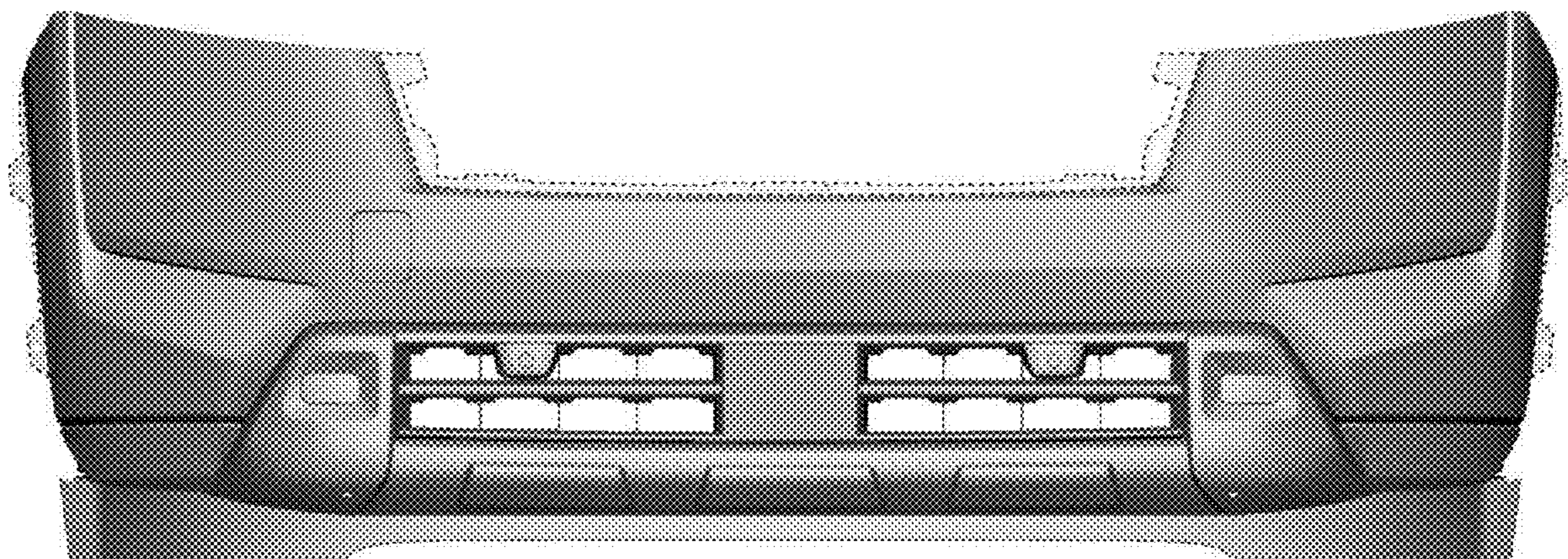
FIG. 5 is a bottom plan view thereof;

FIG. 6 is a right side elevational view thereof; and,

FIG. 7 is a left side elevational view thereof.

The rear view of the front bumper forms no part of the claimed design. The inside surfaces and mounting surfaces of the front bumper, shown in broken lines in FIGS. 1-7, form no part of the claimed design since these surfaces are hidden when the front bumper is mounted to the automobile.

1 Claim, 7 Drawing Sheets



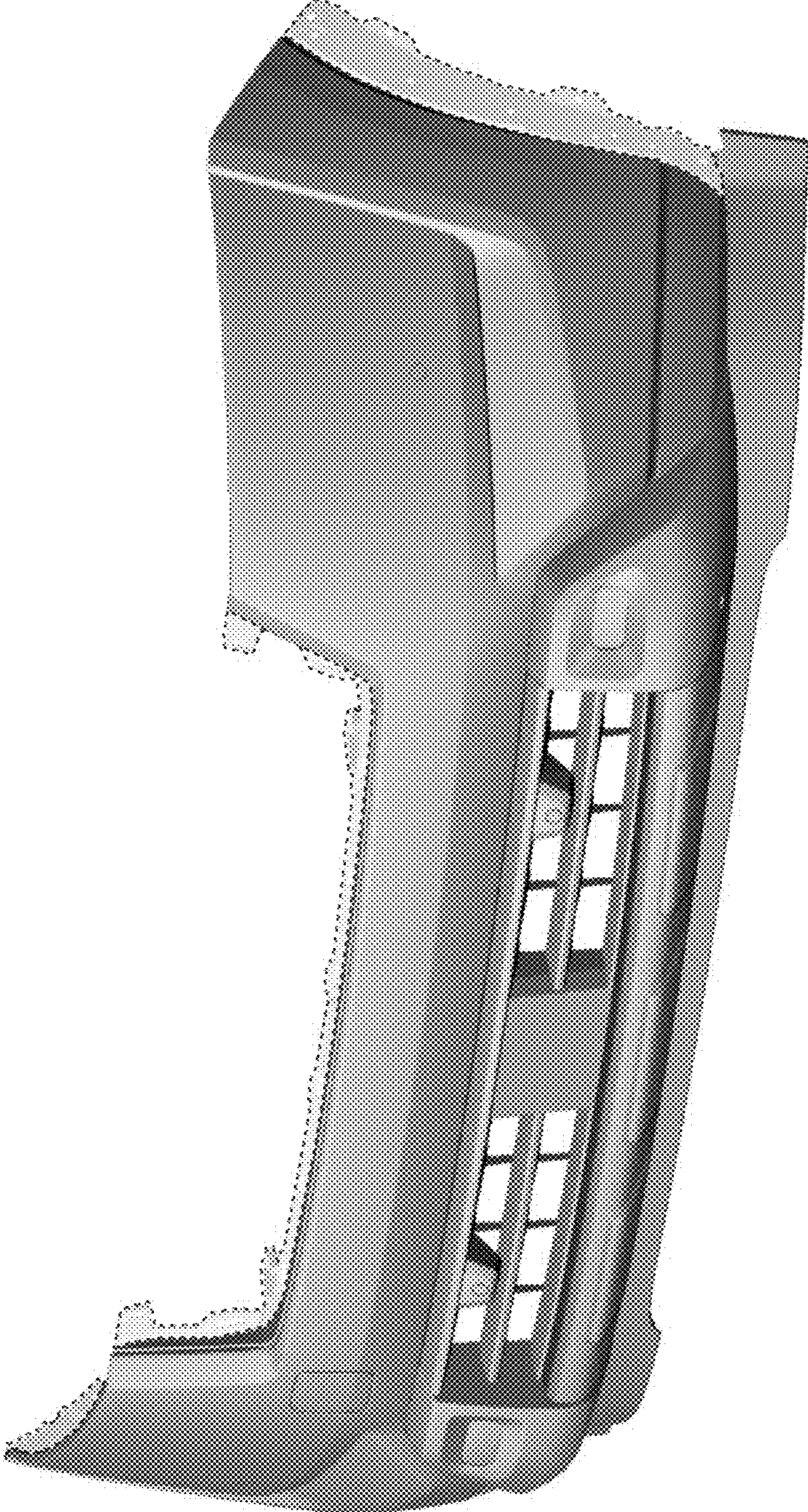


FIG. 1

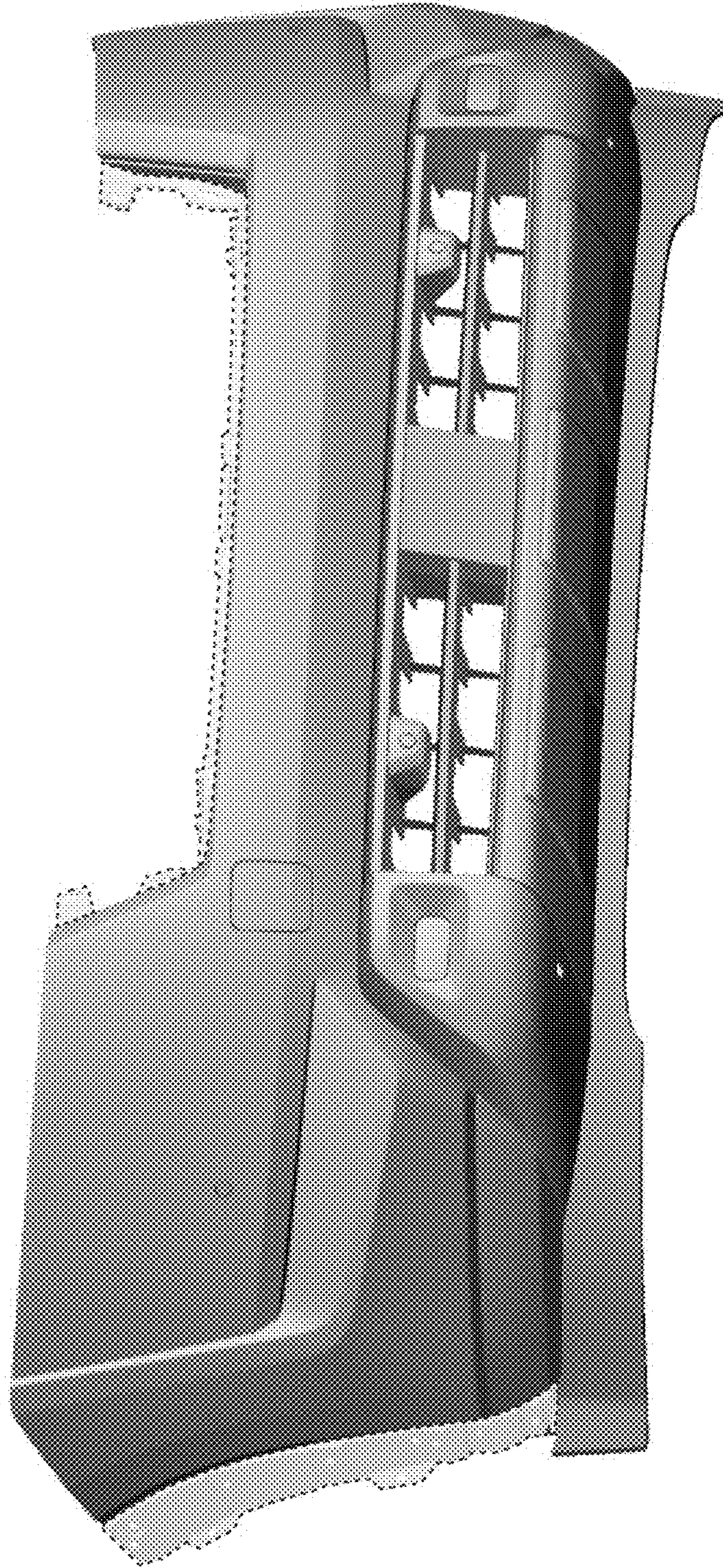


FIG. 2

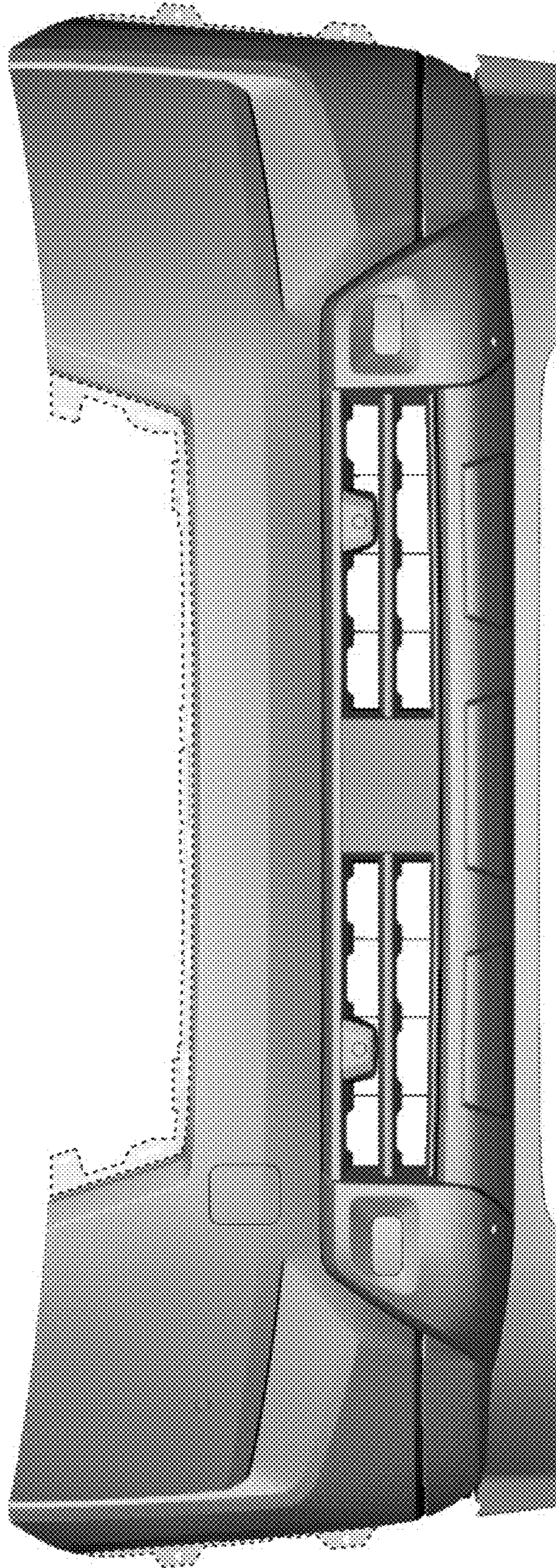


FIG. 3

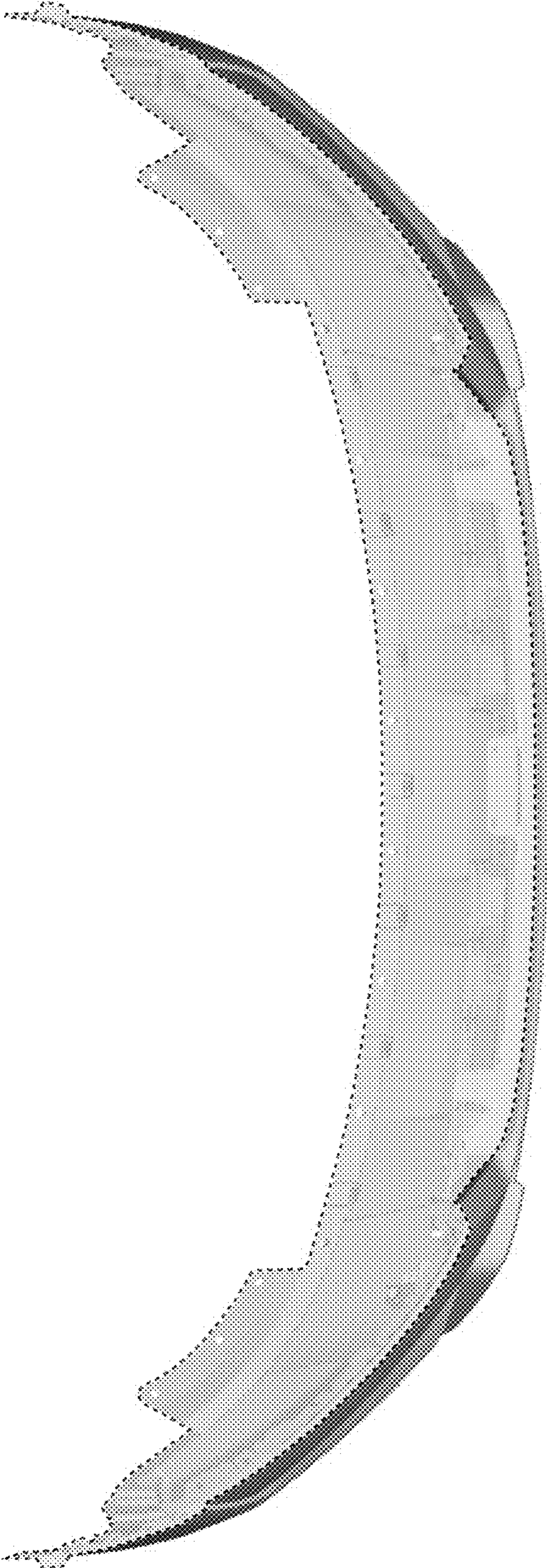


FIG. 4

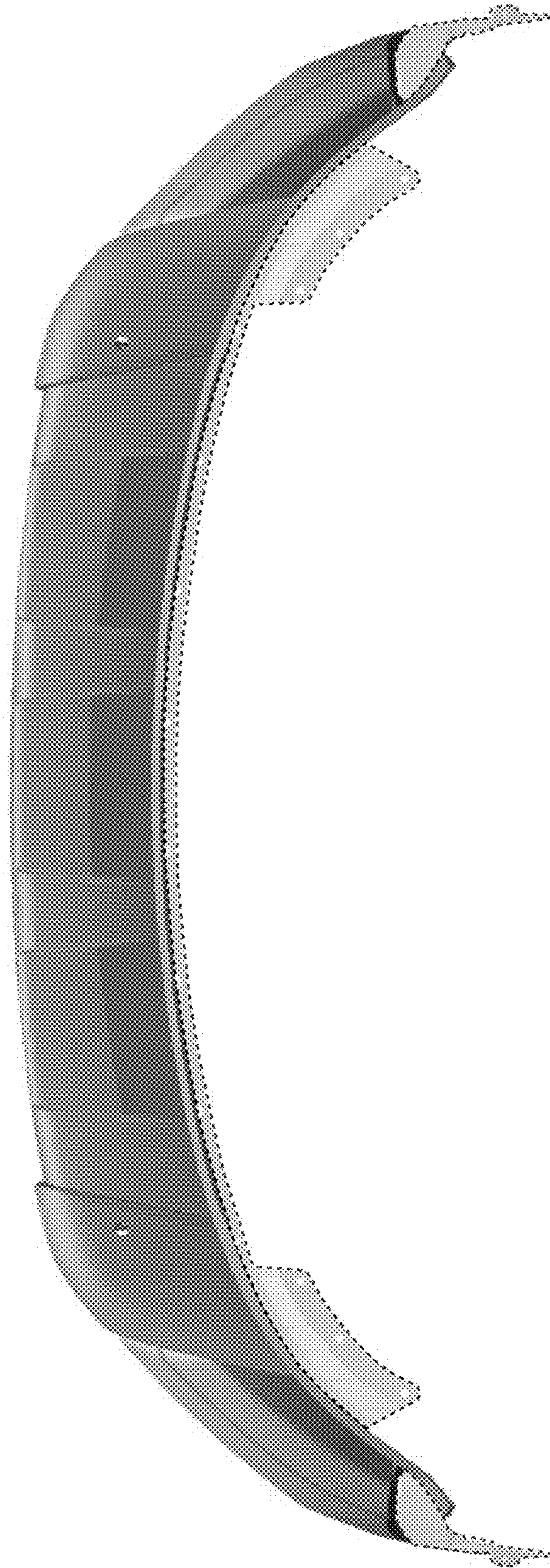


FIG. 5

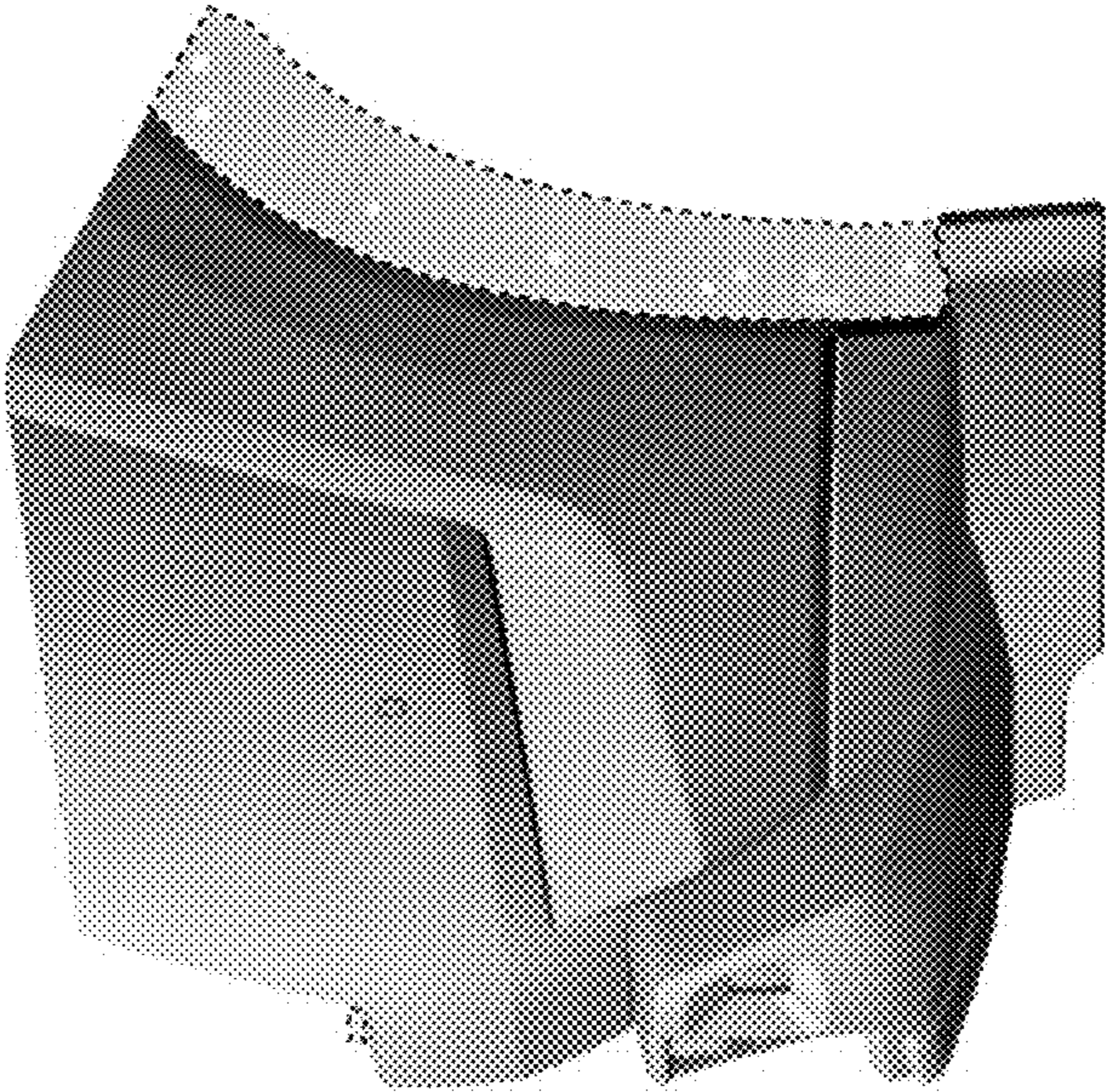


FIG. 6

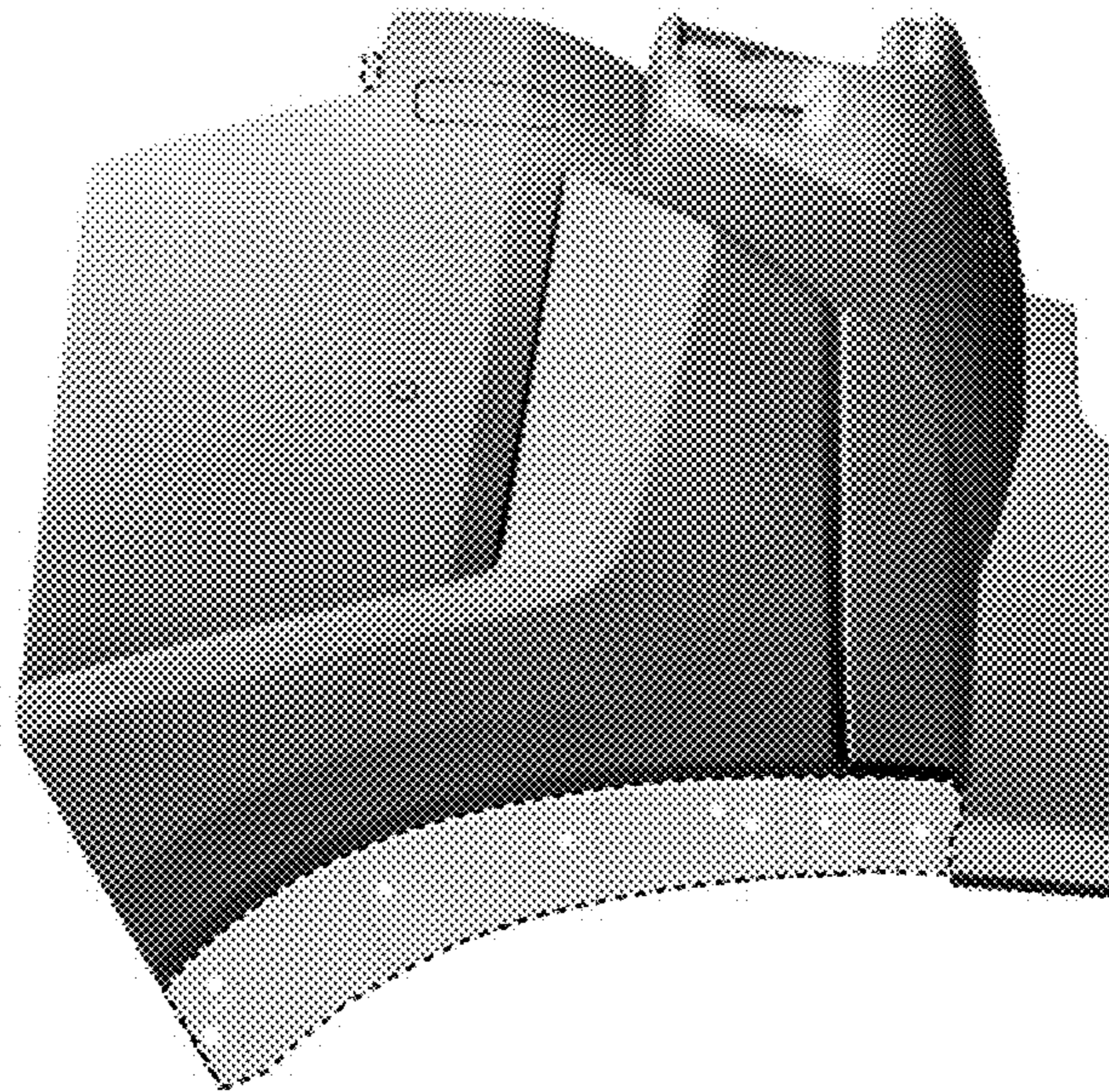


FIG. 7