



US00D980756S

(12) **United States Design Patent**
Grewer

(10) **Patent No.:** **US D980,756 S**

(45) **Date of Patent:** **** Mar. 14, 2023**

(54) **BOTTOM PORTION OF A MOTOR VEHICLE**

(71) Applicant: **JAGUAR LAND ROVER LIMITED,**
Coventry (GB)

(72) Inventor: **Dale Grewer,** Coventry (GB)

(73) Assignee: **JAGUAR LAND ROVER LIMITED,**
Coventry (GB)

(**) Term: **15 Years**

(21) Appl. No.: **29/772,335**

(22) Filed: **Mar. 1, 2021**

Related U.S. Application Data

(62) Division of application No. 29/728,203, filed on Mar. 17, 2020, now Pat. No. Des. 919,498, and a division of application No. 29/637,671, filed on Feb. 21, 2018, now Pat. No. Des. 840,274, and a division of application No. 29/678,097, filed on Jun. 25, 2019, now Pat. No. Des. 881,081.

(30) **Foreign Application Priority Data**

Aug. 31, 2017 (EM) 004174704

(51) **LOC (14) Cl.** **12-16**

(52) **U.S. Cl.**
USPC **D12/164**

(58) **Field of Classification Search**

USPC D12/86, 90-92, 88, 164; D21/424, 433,
D21/434, 533; 296/181.1-181.5, 183.1
CPC B62D 25/00; B62D 25/06; B62D 33/00;
B62D 35/00

See application file for complete search history.

(56) **References Cited**

U.S. PATENT DOCUMENTS

D817,817 S * 5/2018 Frascella D12/91
D818,399 S * 5/2018 Frascella D12/91

D839,146 S * 1/2019 Patel D12/164
D840,274 S * 2/2019 Grewer D12/91
D840,288 S * 2/2019 Frascella D12/164
D840,290 S * 2/2019 Frascella D12/164
D862,312 S * 10/2019 Frascella D12/91
D863,146 S * 10/2019 Frascella D12/164
D876,292 S * 2/2020 Battams D12/164
D878,975 S * 3/2020 Pollard D12/164
D881,081 S * 4/2020 Grewer D12/164
D902,081 S * 11/2020 Grewer D12/91
D909,912 S * 2/2021 Wheel D12/91
D909,913 S * 2/2021 Wheel D12/91

(Continued)

Primary Examiner — Melody N Brown

(74) *Attorney, Agent, or Firm* — Reising Ethington P.C.

(57) **CLAIM**

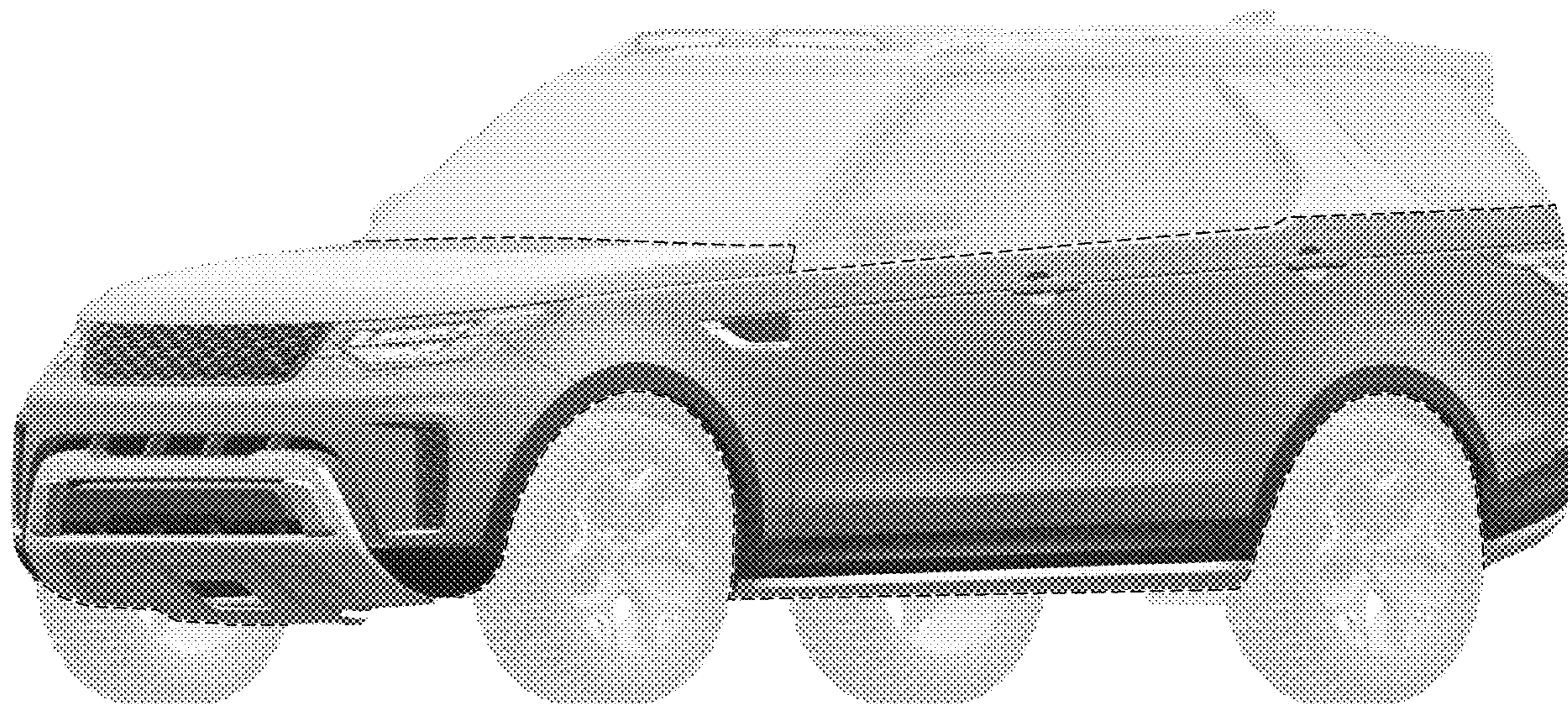
The ornamental design for a bottom portion of a motor vehicle, as shown and described.

DESCRIPTION

FIG. 1 is a right, front perspective view of a bottom portion of a motor vehicle showing my new design; FIG. 2 is a left, front perspective view thereof; FIG. 3 is a left, rear perspective view thereof; FIG. 4 is a right, rear perspective view thereof; FIG. 5 is a front view thereof; FIG. 6 is a rear view thereof; FIG. 7 is a left side view thereof; FIG. 8 is a right side view thereof; and, FIG. 9 is a top view thereof.

The portions of the motor vehicle shown throughout the drawing views in a de-emphasized and half-tone form outside the broken lines and the broken lines representing the boundary and configuration of what is claimed as the design are all for environmental and illustrative purposes and form no part of the claimed design.

1 Claim, 9 Drawing Sheets



(56)

References Cited

U.S. PATENT DOCUMENTS

D918,774 S	*	5/2021	Frascella	D12/91
D919,498 S	*	5/2021	Grewer	D12/91
D920,843 S	*	6/2021	Battams	D12/91
D942,328 S	*	2/2022	Battams	D12/91

* cited by examiner

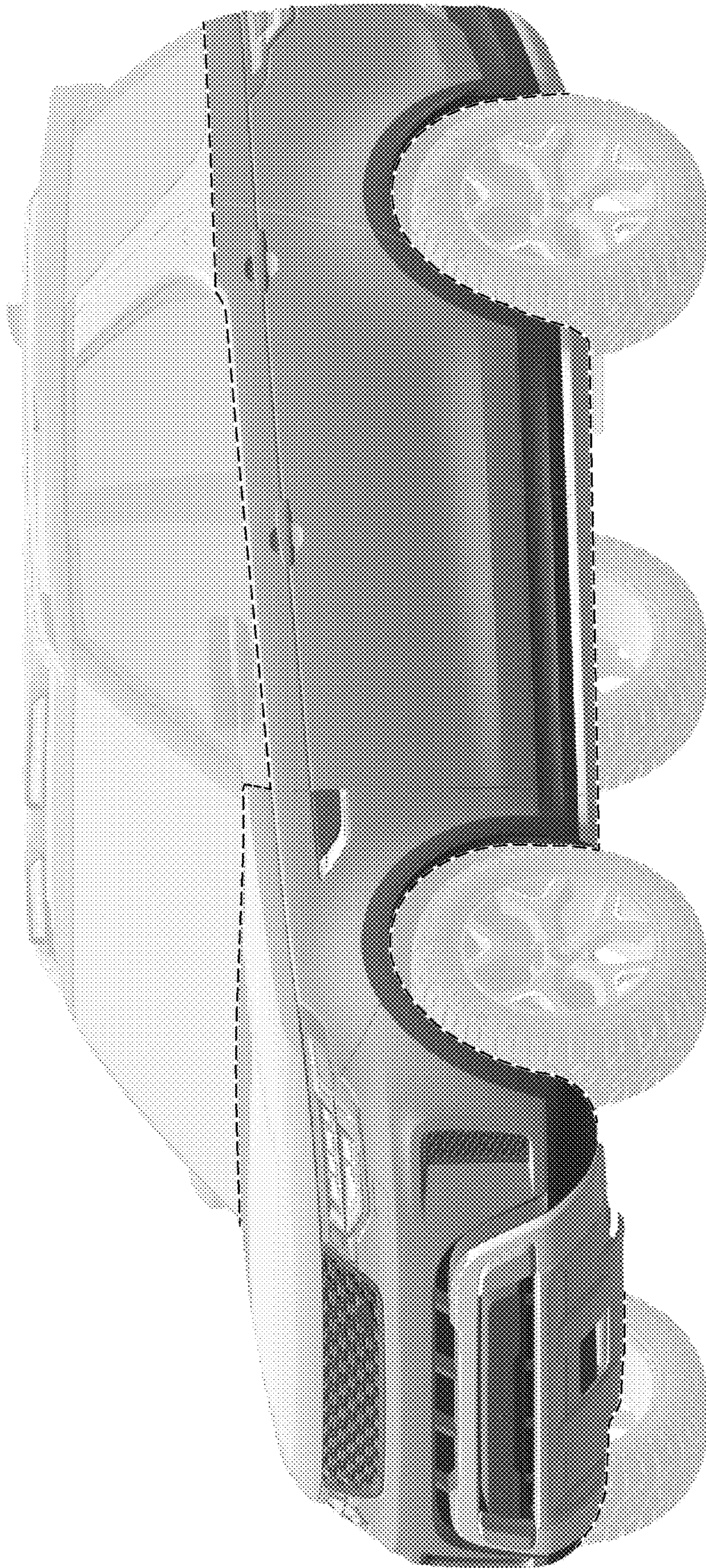


FIG. 1



FIG. 2



FIG. 3

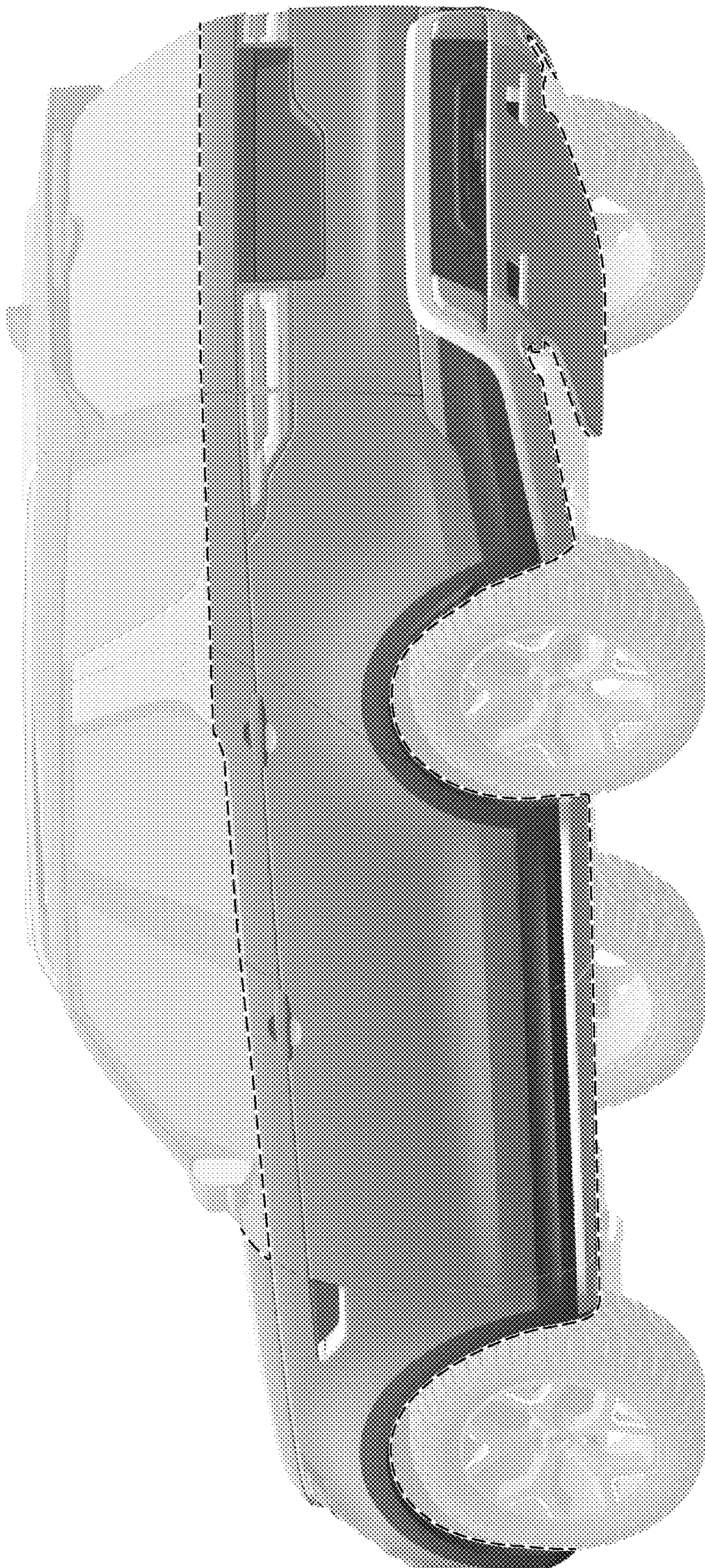


FIG. 4



FIG. 5

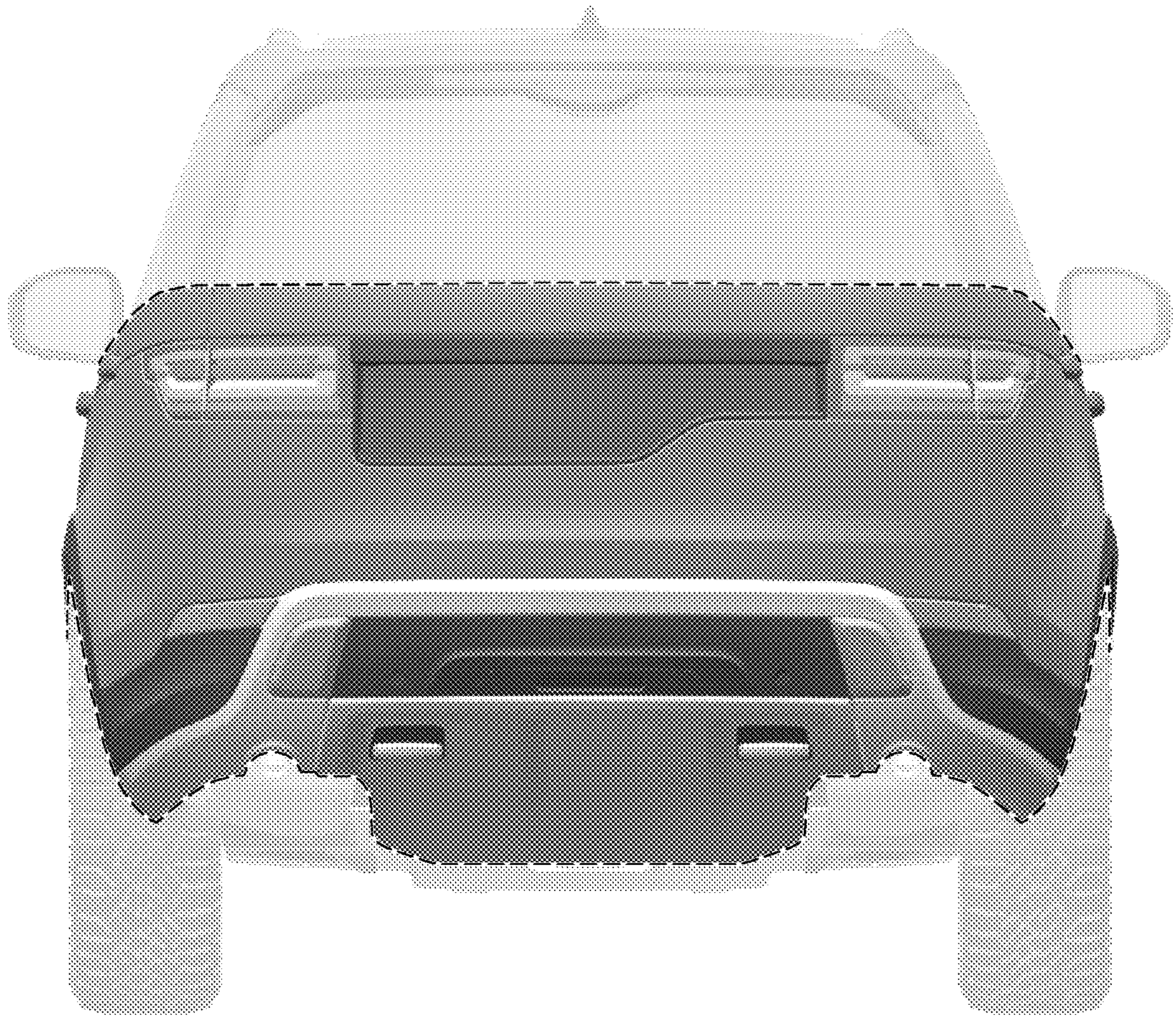


FIG. 6

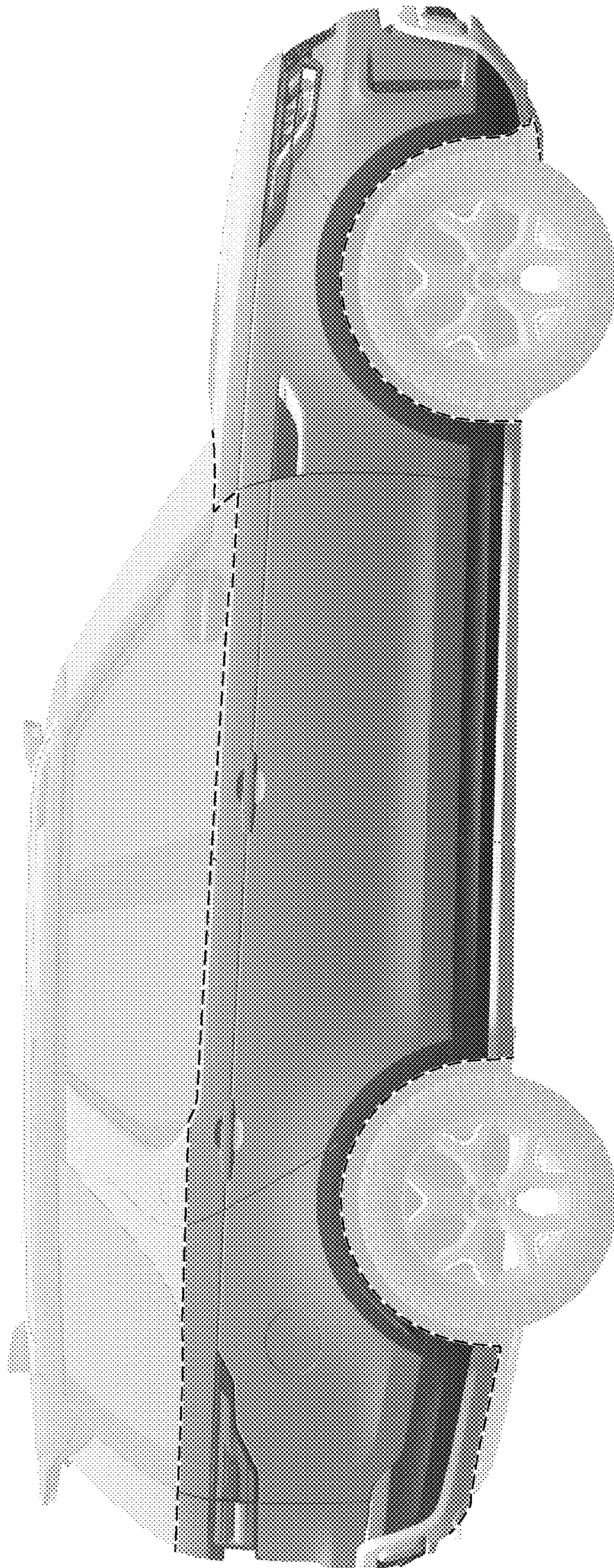


FIG. 7



FIG. 8

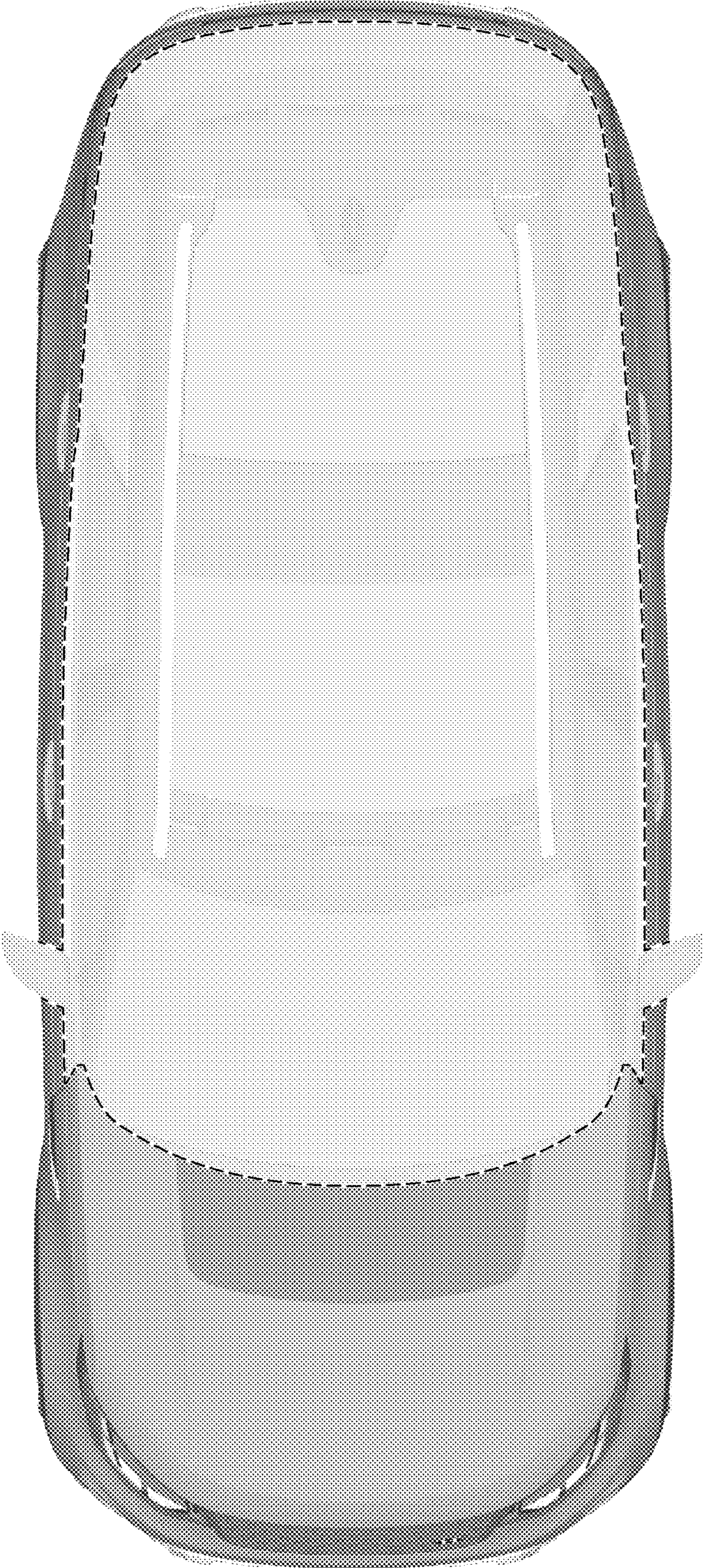


FIG. 9