



US00D980754S

(12) **United States Design Patent**
Fujioka

(10) **Patent No.:** **US D980,754 S**

(45) **Date of Patent:** **** Mar. 14, 2023**

(54) **RADIATOR GRILLE FOR AN AUTOMOBILE**

(71) Applicant: **Nissan Motor Co., Ltd.**, Kanagawa (JP)

(72) Inventor: **Motoki Fujioka**, Tokyo (JP)

(73) Assignee: **Nissan Motor Co., Ltd.**, Yokohama (JP)

(**) Term: **15 Years**

(21) Appl. No.: **29/799,134**

(22) Filed: **Jul. 13, 2021**

(30) **Foreign Application Priority Data**

Jan. 14, 2021 (JP) 2021-000586 D

(51) **LOC (14) Cl.** **12-16**

(52) **U.S. Cl.**
USPC **D12/163**

(58) **Field of Classification Search**
USPC D12/163, 196, 86, 90-92, 169, 190, 98,
D12/164; 293/193.11; 180/68.1, 68.6
CPC B62B 9/16; B60K 11/08; B62D 25/08;
B60R 19/52
See application file for complete search history.

(56) **References Cited**

U.S. PATENT DOCUMENTS

D702,155 S *	4/2014	Hanaoka	D12/163
D717,217 S *	11/2014	Murakawa	D12/163
D720,264 S *	12/2014	Hanaoka	D12/163
D721,020 S *	1/2015	Hanaoka	D12/163
D738,798 S *	9/2015	Morikawa	D12/163
D766,782 S *	9/2016	Arroba	D12/163
D783,465 S *	4/2017	Choi	D12/163
D789,844 S *	6/2017	Sakai	D12/163
D789,845 S *	6/2017	Oohashi	D12/163
D797,013 S *	9/2017	Sahara	D12/163

D797,014 S *	9/2017	Park	D12/163
D809,979 S *	2/2018	Tanaka	D12/163
D817,234 S *	5/2018	Park	D12/163
D818,885 S *	5/2018	Seo	D12/163
D818,891 S *	5/2018	Minamiyama	D12/163
D819,504 S *	6/2018	Lalo	D12/163
D819,507 S *	6/2018	Bridan	D12/163
D819,508 S *	6/2018	Ino	D12/163
D819,509 S *	6/2018	Tanaka	D12/163
D819,511 S *	6/2018	Ishii	D12/163
D821,933 S *	7/2018	Ishii	D12/163
D822,545 S *	7/2018	Sahara	D12/163
D824,813 S *	8/2018	Miyazawa	D12/163
D830,249 S *	10/2018	Zhang	D12/169
D830,251 S *	10/2018	Komuro	D12/169
D853,901 S *	7/2019	Nakajima	D12/163
D854,972 S *	7/2019	Suzuki	D12/171

(Continued)

Primary Examiner — Melody N Brown

(74) *Attorney, Agent, or Firm* — Global IP Counselors, LLP

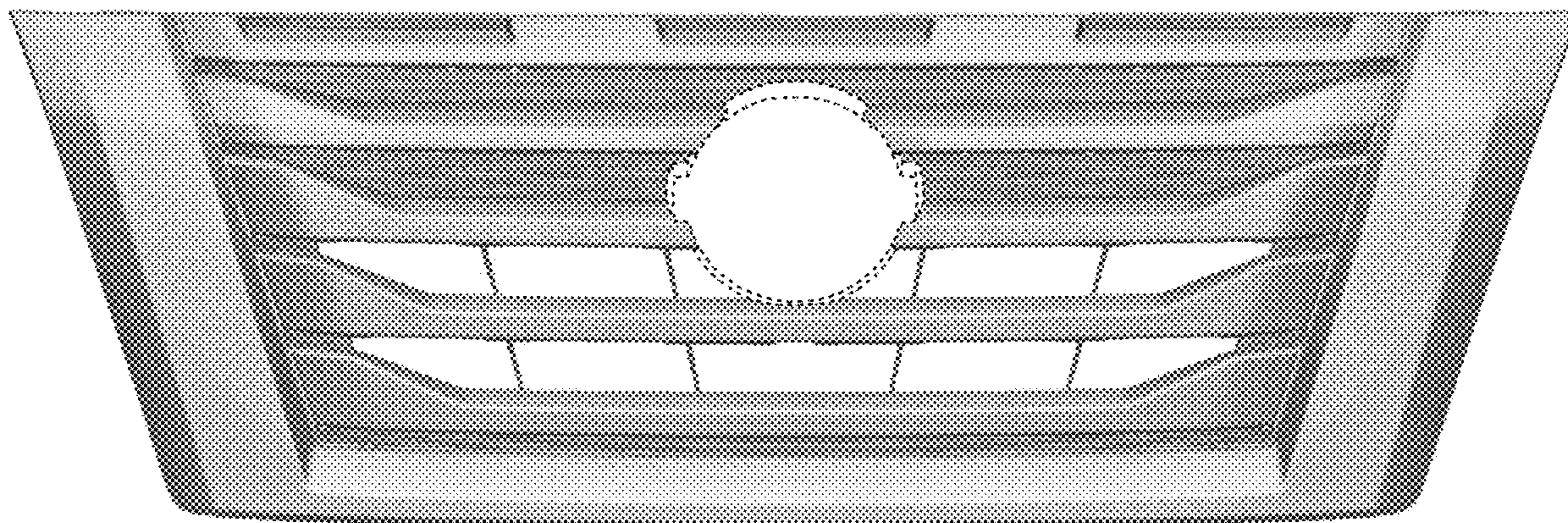
(57) **CLAIM**

The ornamental design for a radiator grille for an automobile, as shown and described.

DESCRIPTION

FIG. 1 is a front elevational view of a radiator grille for an automobile showing my new design;
FIG. 2 is a top plan view thereof;
FIG. 3 is a bottom plan view thereof;
FIG. 4 is a left side elevational view thereof;
FIG. 5 is a right side elevational view thereof;
FIG. 6 is a top, front and right side perspective view thereof; and,
FIG. 7 is a front and left side perspective view thereof.
The broken line showing of the radiator grille is for purpose of illustrating environmental structure and forms no part of the claimed design. The rear view of the radiator grille forms no part of the claimed design.

1 Claim, 7 Drawing Sheets



(56)

References Cited

U.S. PATENT DOCUMENTS

D864,801 S	*	10/2019	Morita	D12/163
D867,230 S	*	11/2019	Basmanov	D12/163
D870,000 S	*	12/2019	Joudo	D12/163
D874,989 S	*	2/2020	Utsunomiya	D12/163
D890,638 S	*	7/2020	Lee	D12/163
D916,630 S	*	4/2021	Horie	D12/163
D934,750 S	*	11/2021	Minamiyama	D12/163

* cited by examiner

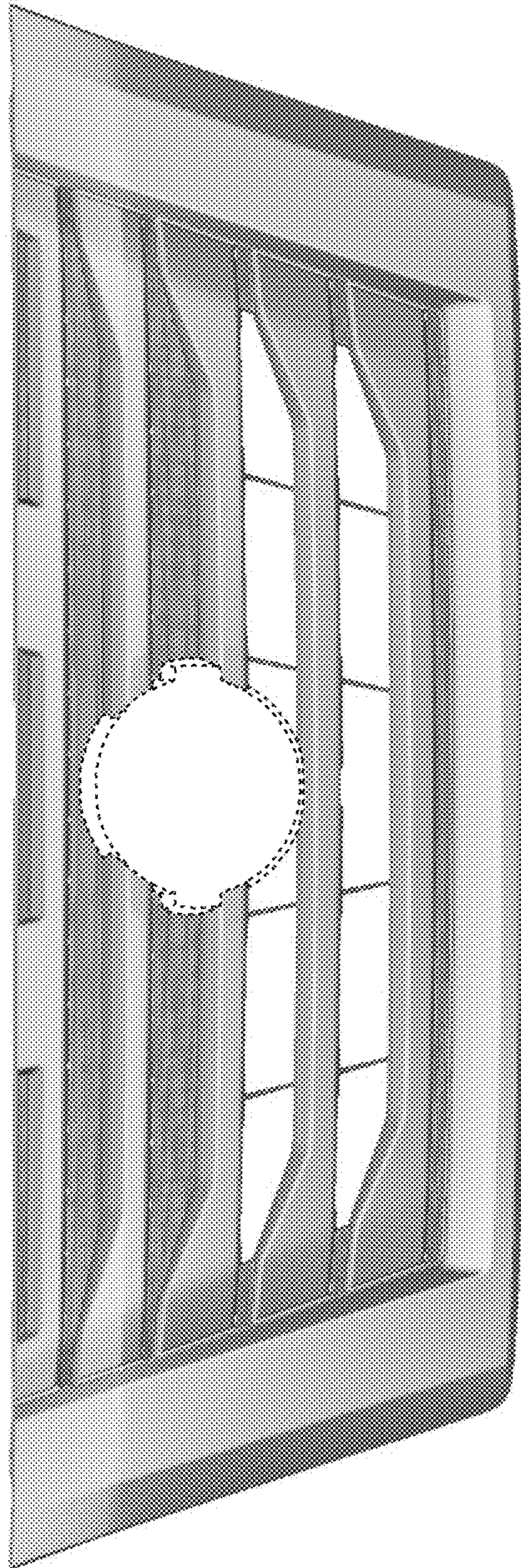


FIG. 1

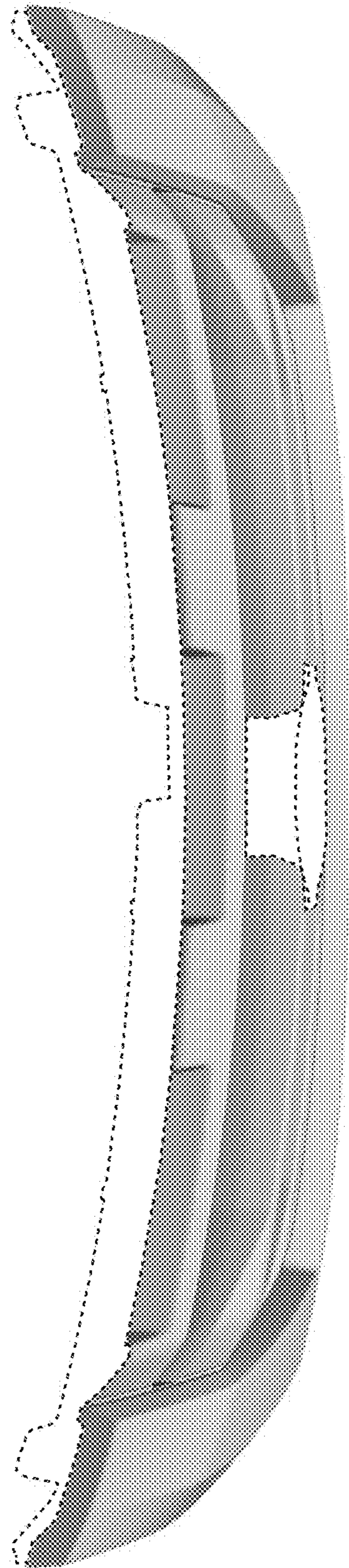


FIG. 2

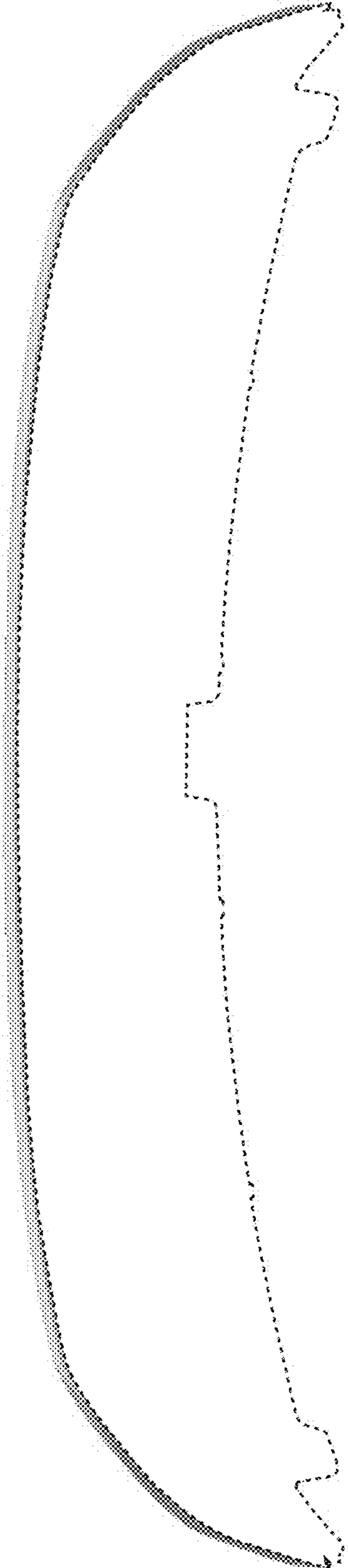


FIG. 3

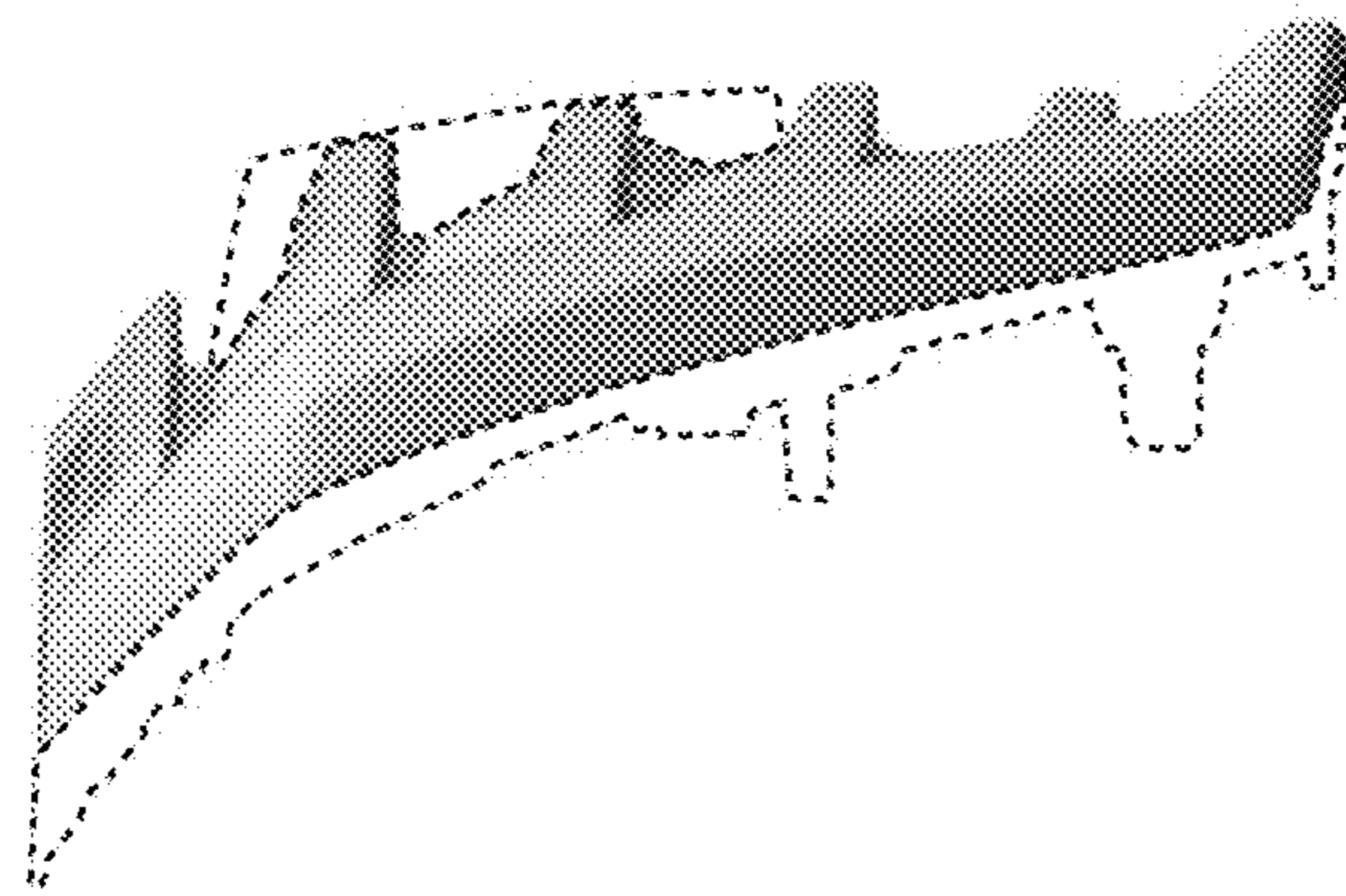


FIG. 4

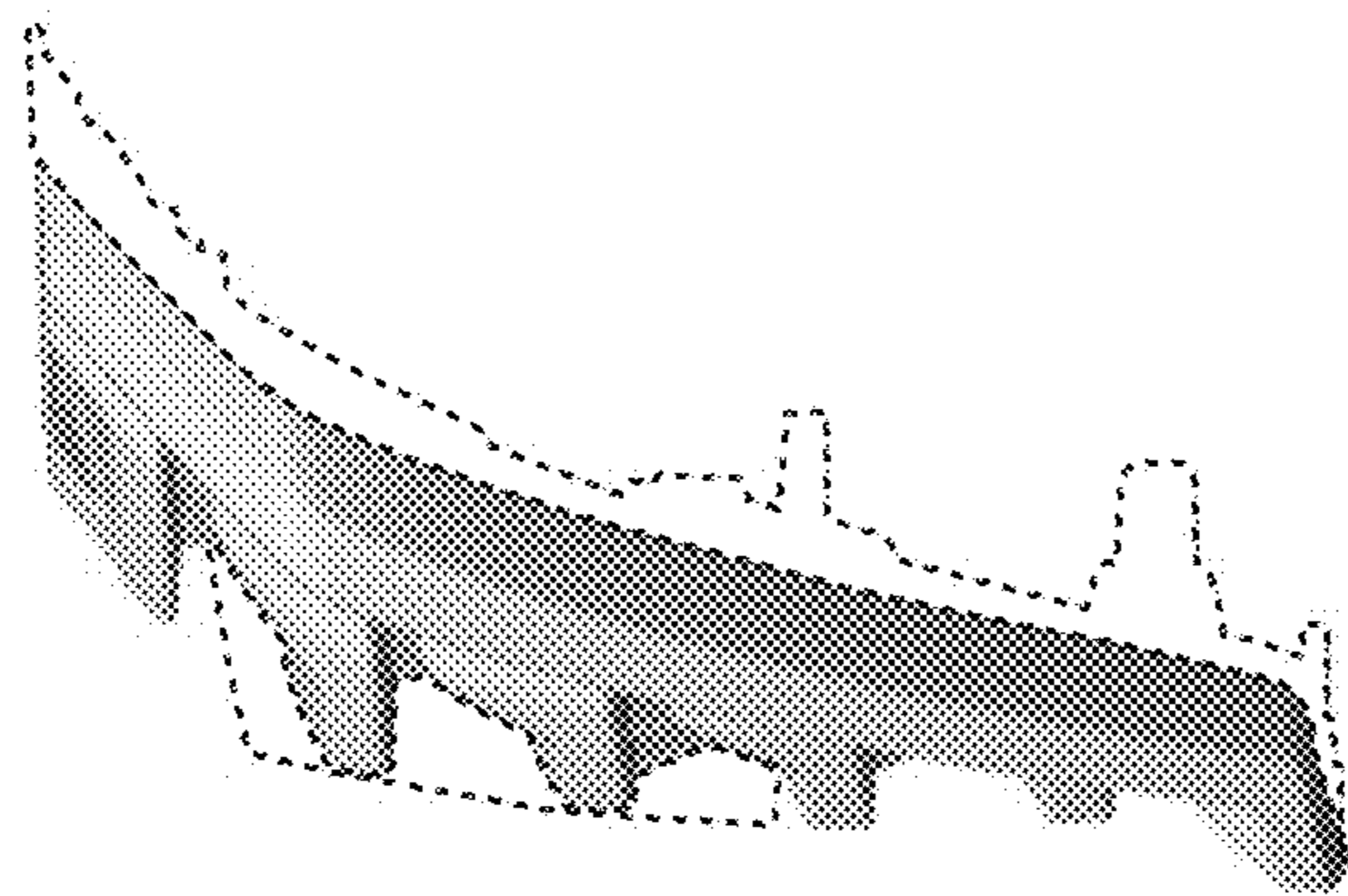


FIG. 5

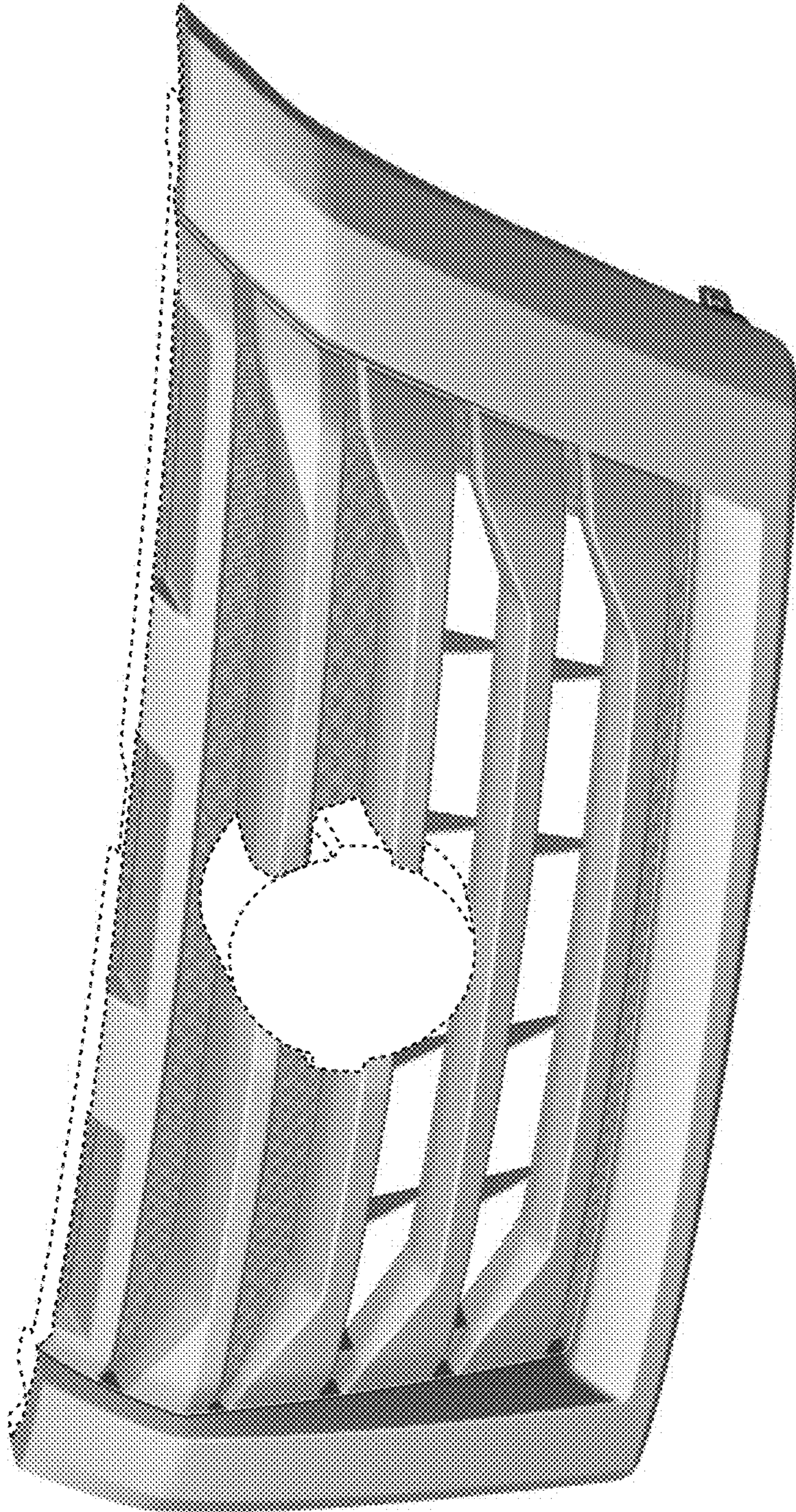


FIG. 6

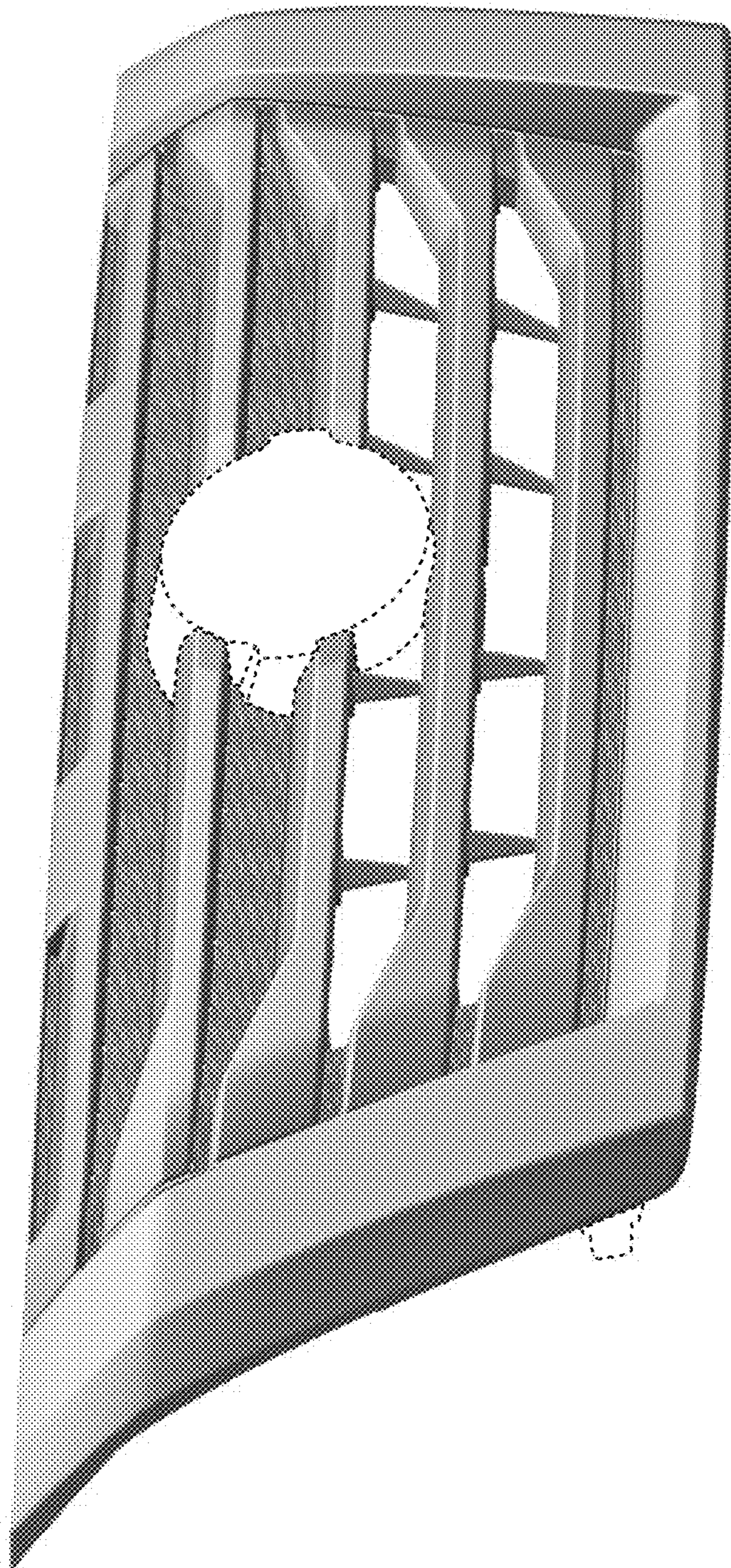


FIG. 7