



US00D980753S

(12) **United States Design Patent**
Nagel et al.

(10) **Patent No.:** **US D980,753 S**
(45) **Date of Patent:** **** Mar. 14, 2023**

(54) **MOTORBIKE**

(71) Applicant: **Pave Motors, Inc.**, Brooklyn, NY (US)

(72) Inventors: **Caspar Nagel**, Wainscott, NY (US);
Nicolaus Nagel, Wainscott, NY (US)

(73) Assignee: **Pave Motors, Inc.**, Brooklyn, NY (US)

(**) Term: **15 Years**

(21) Appl. No.: **29/785,671**

(22) Filed: **May 26, 2021**

(51) **LOC (14) Cl.** **12-11**

(52) **U.S. Cl.**
USPC **D12/111**

(58) **Field of Classification Search**

USPC D12/111, 117; D21/412, 414, 419,
D21/423-428, 431-435

CPC B62K 3/00; B62K 3/02; B62K 3/06
See application file for complete search history.

(56) **References Cited**

U.S. PATENT DOCUMENTS

D901,336 S *	11/2020	Kuehne	D12/111
D910,496 S *	2/2021	Zhu	D12/111
D918,778 S *	5/2021	Shi	D12/111
D931,760 S *	9/2021	Su	D12/111
D936,527 S *	11/2021	Okonsky	D12/111
D939,387 S *	12/2021	Chambers	D12/111
11,299,226 B2 *	4/2022	Uimonen	B62J 9/23
D956,631 S *	7/2022	Okonsky	D12/111
D962,829 S *	9/2022	Hu	D12/111
2013/0001000 A1 *	1/2013	Krieger	B62M 6/45 180/206.3

OTHER PUBLICATIONS

“Pave Motors’ E-Moped With Blockchain Technology Now Available To Pre-Order.” Clean Technica., Oct. 4, 2021 [online], [retrieved on Nov. 2, 2022]. Retrieved from the Internet <URL: [https://](https://cleantechnica.com/2021/10/04/pave-motors-e-moped-with-blockchain-technology-now-available-to-pre-order/)

cleantechnica.com/2021/10/04/pave-motors-e-moped-with-blockchain-technology-now-available-to-pre-order/>.*

Micah Toll. “Huck Cycle’s 60 mph electric mopeds get new VINs, paving way for legal riding.” Electrek., May 22, 2020 [online], [retrieved on Nov. 2, 2022]. Retrieved from the Internet <URL: <https://electrek.co/2020/05/22/huck-cycles-60-mph-electric-mopeds-get-vins-legal/>>.*

Matt Epic Adventures. “Revue du Nouveau vélo Super 73-S2.” YouTube., Jan. 29, 2020 [online], [retrieved on Nov. 2, 2022]. Retrieved from the Internet <URL: <https://www.youtube.com/watch?v=PXwefh1-FVo>>.*

* cited by examiner

Primary Examiner — Darlington Ly

(74) *Attorney, Agent, or Firm* — Lowenstein Sandler LLP

(57) **CLAIM**

The ornamental design for a motorbike, as shown and described.

DESCRIPTION

FIG. 1 is a perspective view of a motorbike in accordance with the present invention;

FIG. 2 is another perspective view thereof;

FIG. 3 is a front elevation view thereof;

FIG. 4 is a rear elevation view thereof;

FIG. 5 is a left side elevation view thereof;

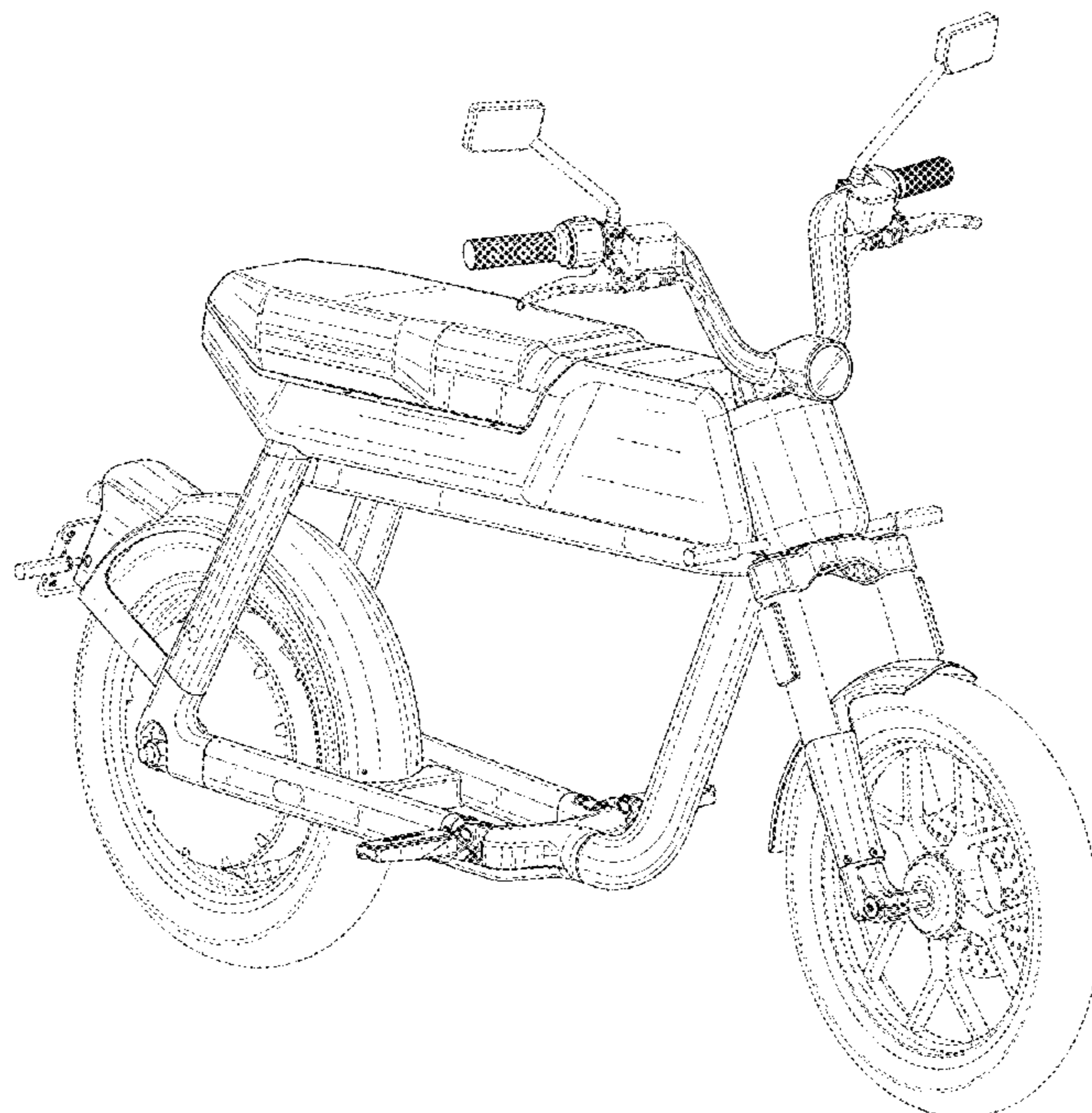
FIG. 6 is a right side elevation view thereof;

FIG. 7 is a top plan view thereof; and,

FIG. 8 is a bottom plan view thereof.

The portions of the motorbike shown in broken lines form no part of the claimed design.

1 Claim, 8 Drawing Sheets



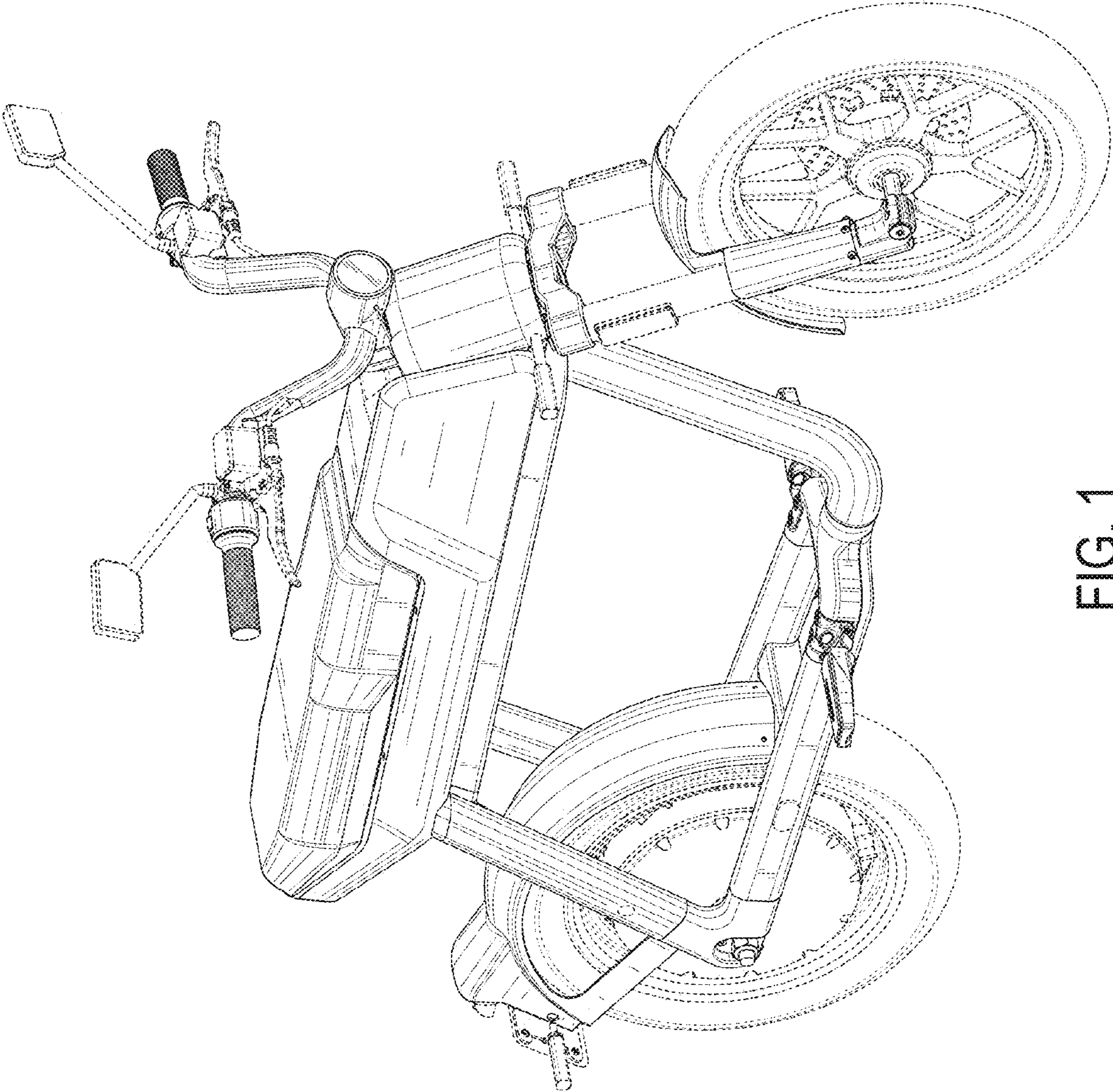


FIG. 1

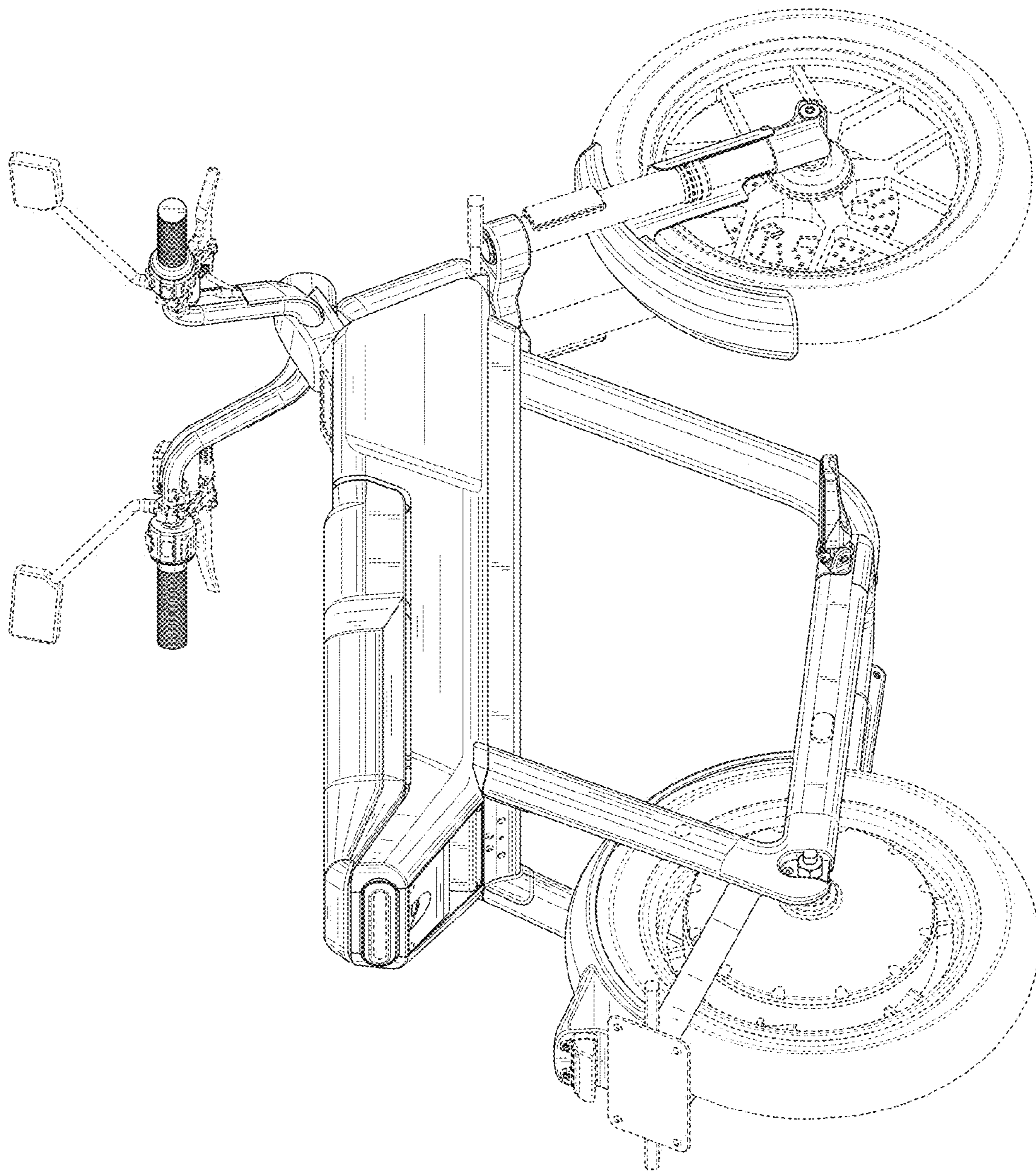


FIG. 2

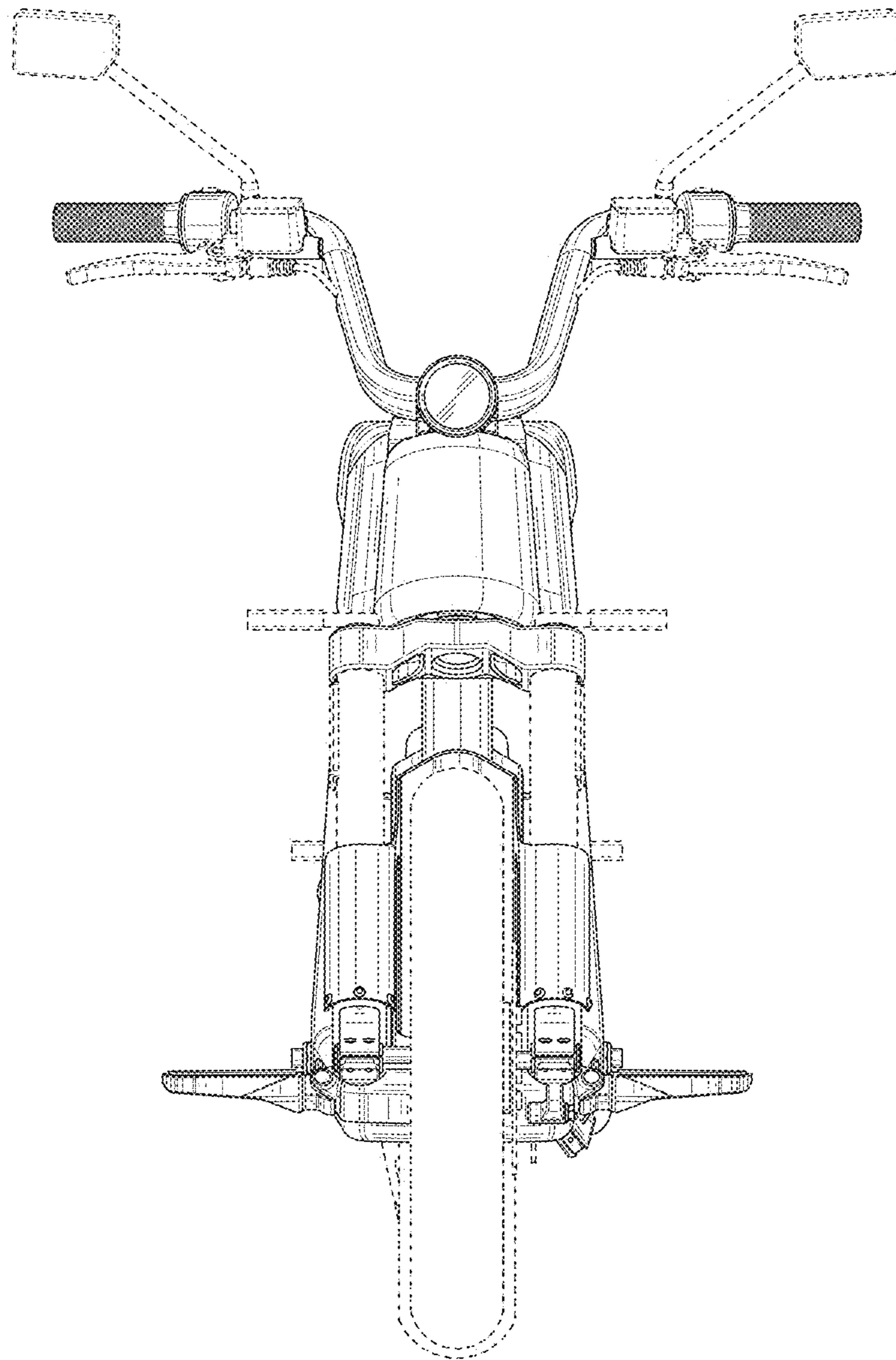


FIG. 3

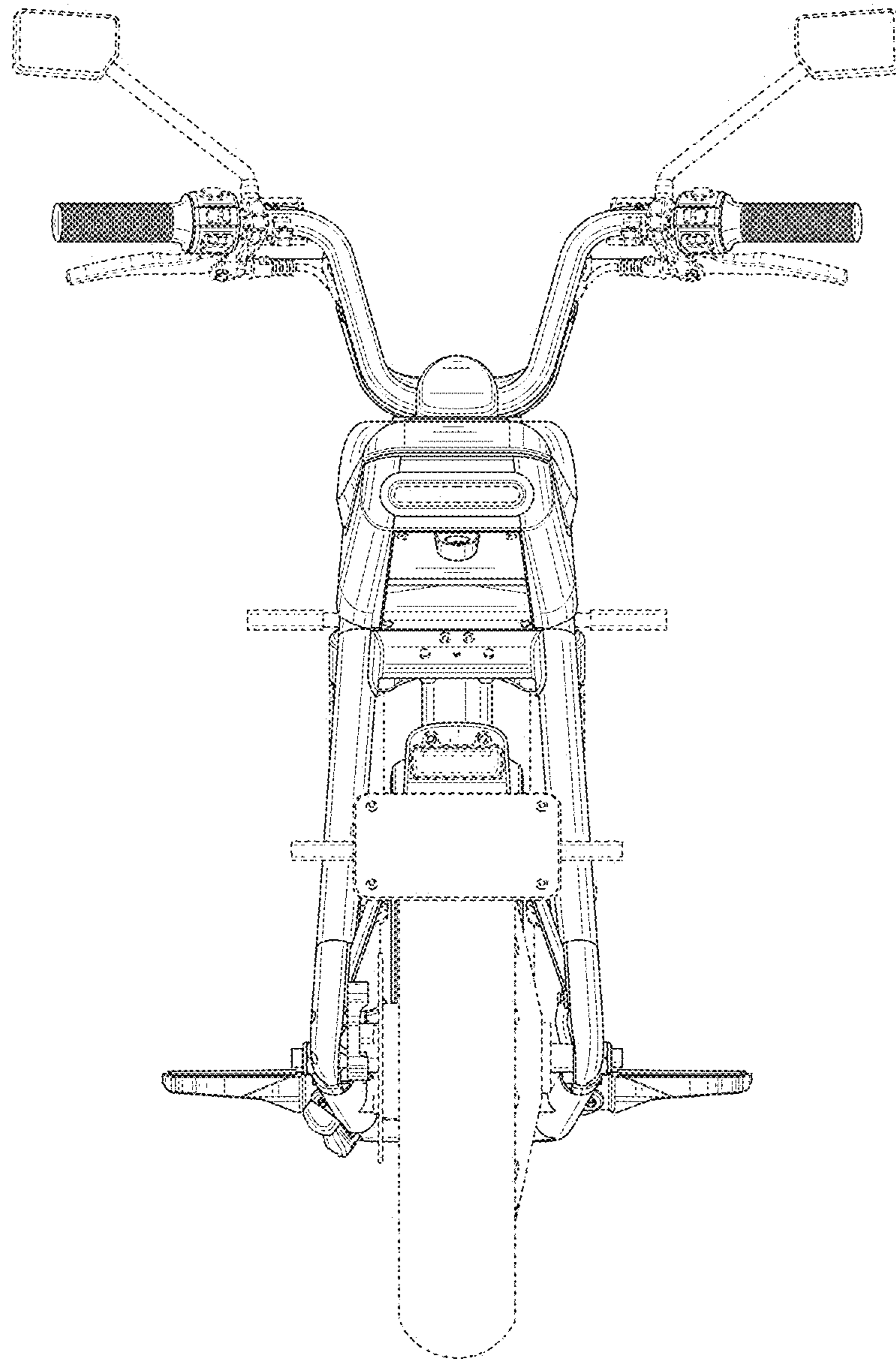


FIG. 4

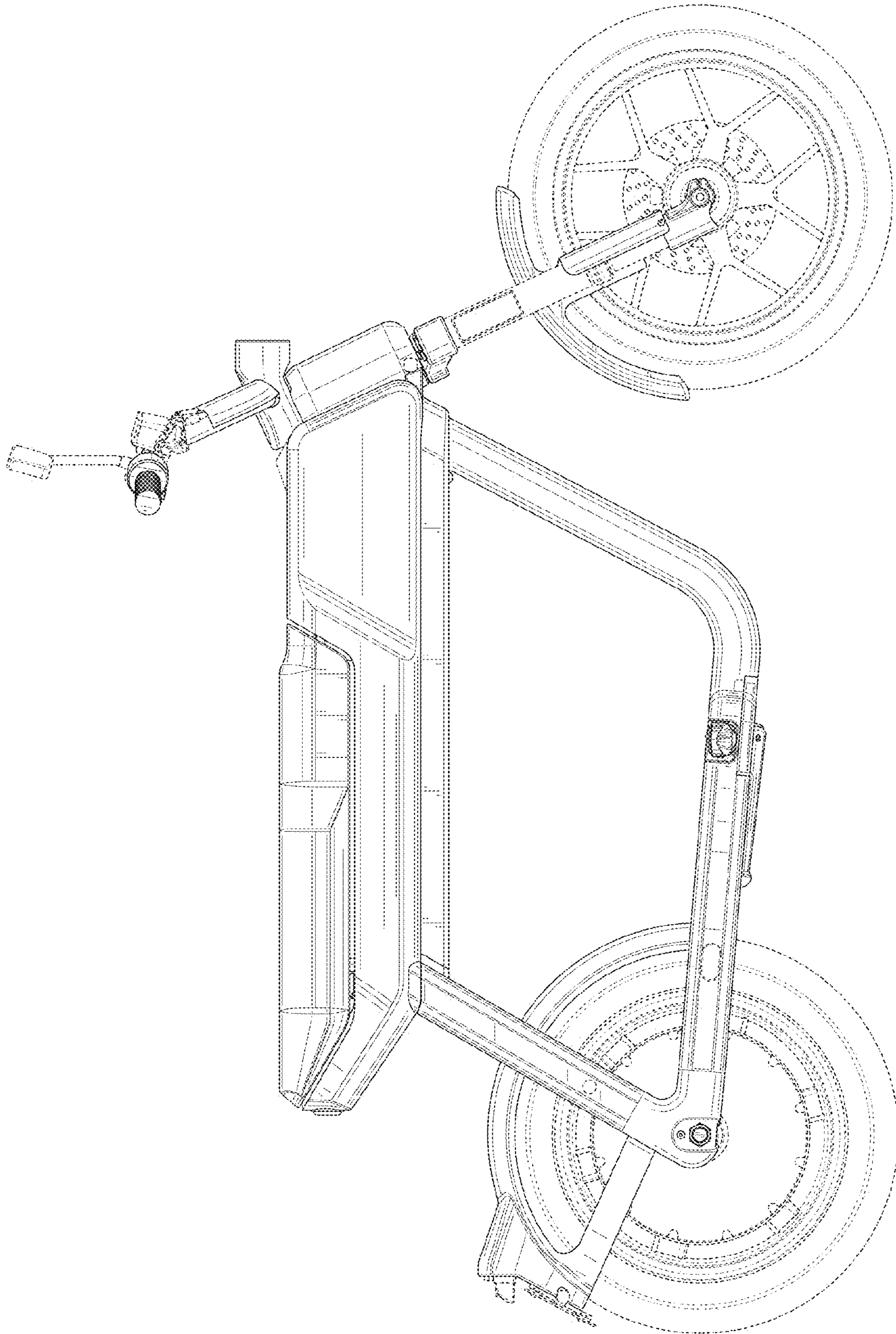


FIG. 5

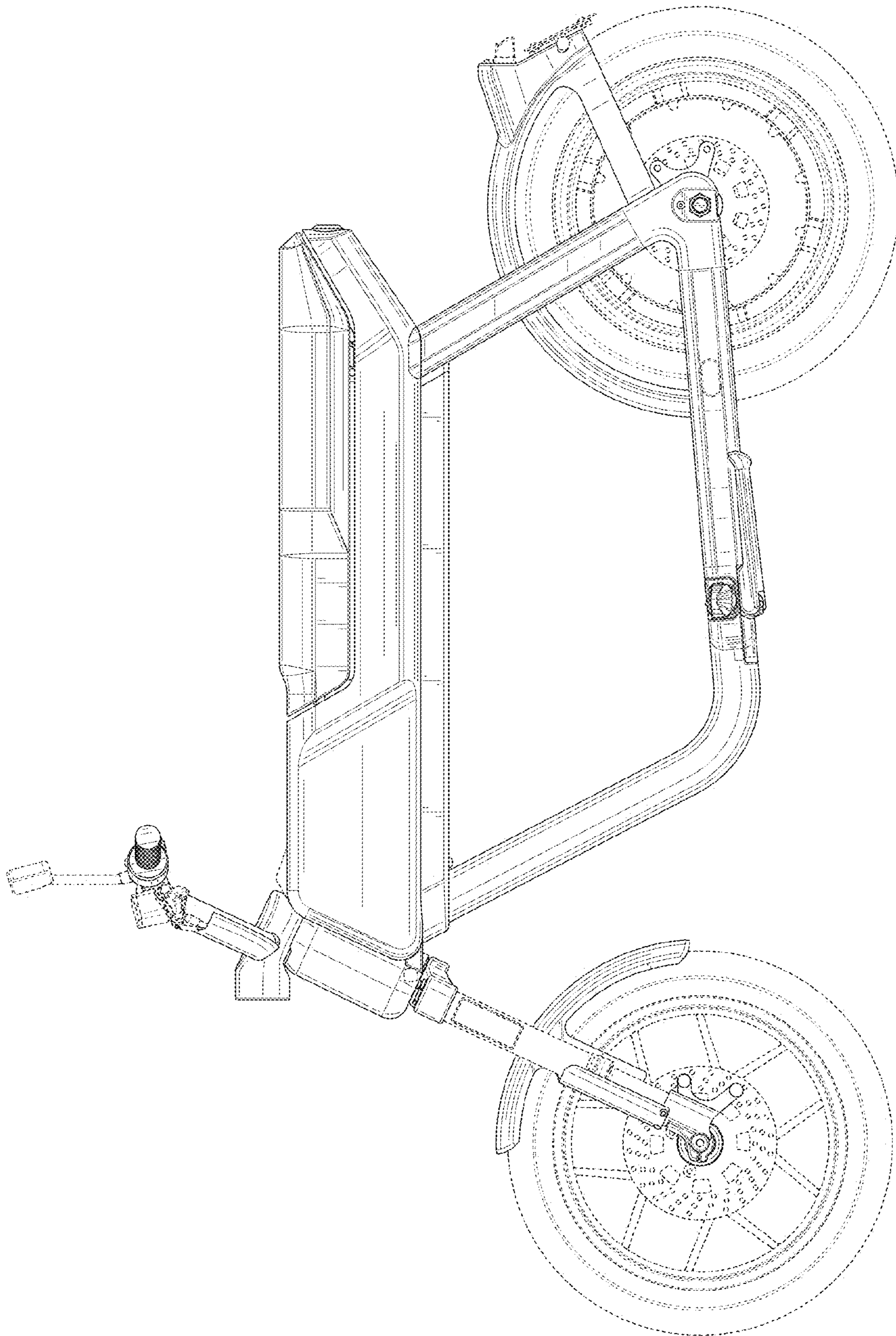


FIG. 6

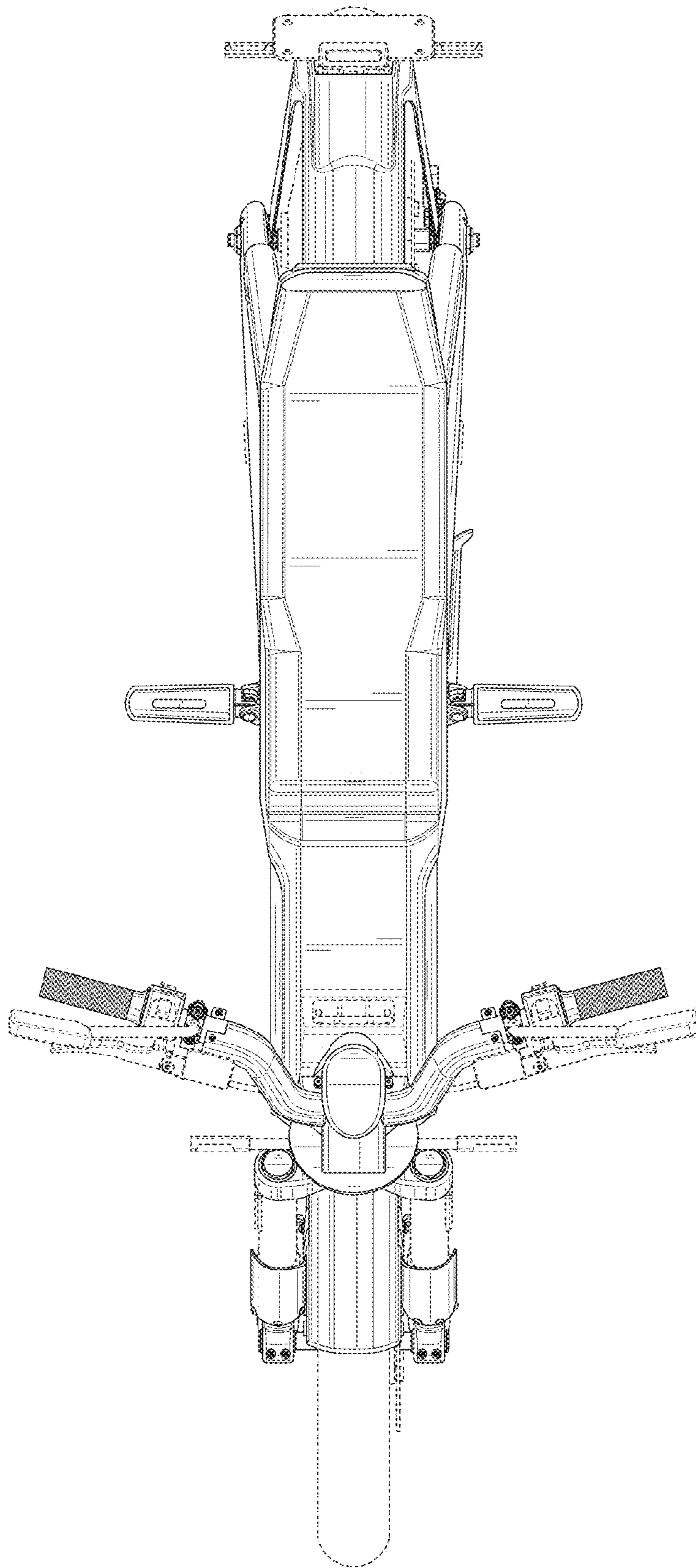


FIG. 7

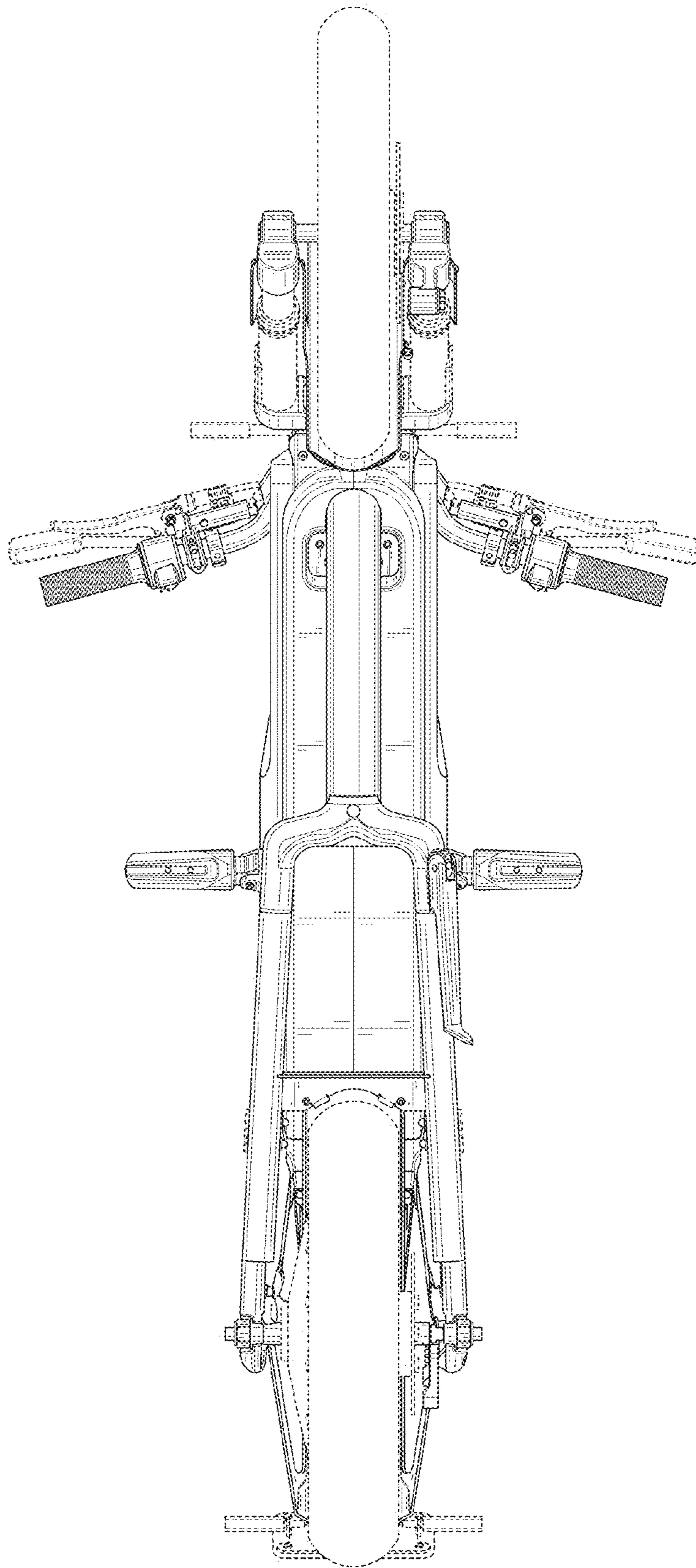


FIG. 8