



US00D980752S

(12) **United States Design Patent**  
**Patel et al.**

(10) **Patent No.:** **US D980,752 S**  
(45) **Date of Patent:** **\*\* Mar. 14, 2023**

(54) **AUTOMOBILE AND/OR TOY REPLICA THEREOF**

(71) Applicant: **Nissan Motor Co., Ltd.**, Kanagawa (JP)

(72) Inventors: **Hiren Patel**, San Diego, CA (US);  
**Laurie Tait**, San Diego, CA (US)

(73) Assignee: **Nissan Motor Co., Ltd.**, Yokohama (JP)

(\*\*) Term: **15 Years**

(21) Appl. No.: **29/799,142**

(22) Filed: **Jul. 13, 2021**

(51) **LOC (14) Cl.** ..... **12-08**

(52) **U.S. Cl.**  
USPC ..... **D12/98**

(58) **Field of Classification Search**  
USPC ..... D12/86, 90-92, 164, 98; D21/424, 433,  
D21/434, 533; 296/181.1, 181.5, 181.3,  
296/183.1, 37.6  
CPC ..... B60R 9/06; B62D 35/00  
See application file for complete search history.

(56) **References Cited**

**U.S. PATENT DOCUMENTS**

D494,105 S	*	8/2004	Hall	.....	D12/98
D570,742 S	*	6/2008	Takagi	.....	D12/98
D570,743 S	*	6/2008	Takagi	.....	D12/98
D604,203 S	*	11/2009	O'Donnell	.....	D12/98
D607,783 S	*	1/2010	Roller	.....	D12/98
D646,206 S	*	10/2011	Sato	.....	D12/98

D700,871 S	*	3/2014	O'Donnell	.....	D12/98
D703,586 S	*	4/2014	Platto	.....	D12/98
D718,190 S	*	11/2014	Platto	.....	D12/98
D725,001 S	*	3/2015	McMahan	.....	D12/98
D735,082 S	*	7/2015	Sperling	.....	D12/98
D756,266 S	*	5/2016	Ino	.....	D12/98
D760,625 S	*	7/2016	Rodriguez	.....	D12/98
D763,137 S	*	8/2016	Rodriguez	.....	D12/98
D763,138 S	*	8/2016	Rodriguez	.....	D12/98
D966,942 S	*	10/2022	Kim	.....	D12/98

\* cited by examiner

*Primary Examiner* — Melody N Brown

(74) *Attorney, Agent, or Firm* — Global IP Counselors, LLP

(57) **CLAIM**

The ornamental design for an automobile and/or toy replica thereof, as shown and described.

**DESCRIPTION**

FIG. 1 is a left, front perspective view of an automobile and/or toy replica thereof showing our new design; FIG. 2 is a right, rear perspective view thereof; FIG. 3 is a front elevational view thereof; FIG. 4 is a rear elevational view thereof. FIG. 5 is a left side elevational view thereof FIG. 6 is a right side elevational view thereof; and, FIG. 7 is a top plan view thereof.

The hidden surfaces from the bottom, obscured by a rear bumper, the wheels, and inside the wheel wells, but visible in the figures form no part of the claimed design. The broken line showing on the automobile and/or toy replica thereof is for the purpose of illustrating environmental structure and forms no part of the claimed design.

**1 Claim, 7 Drawing Sheets**





FIG. 1

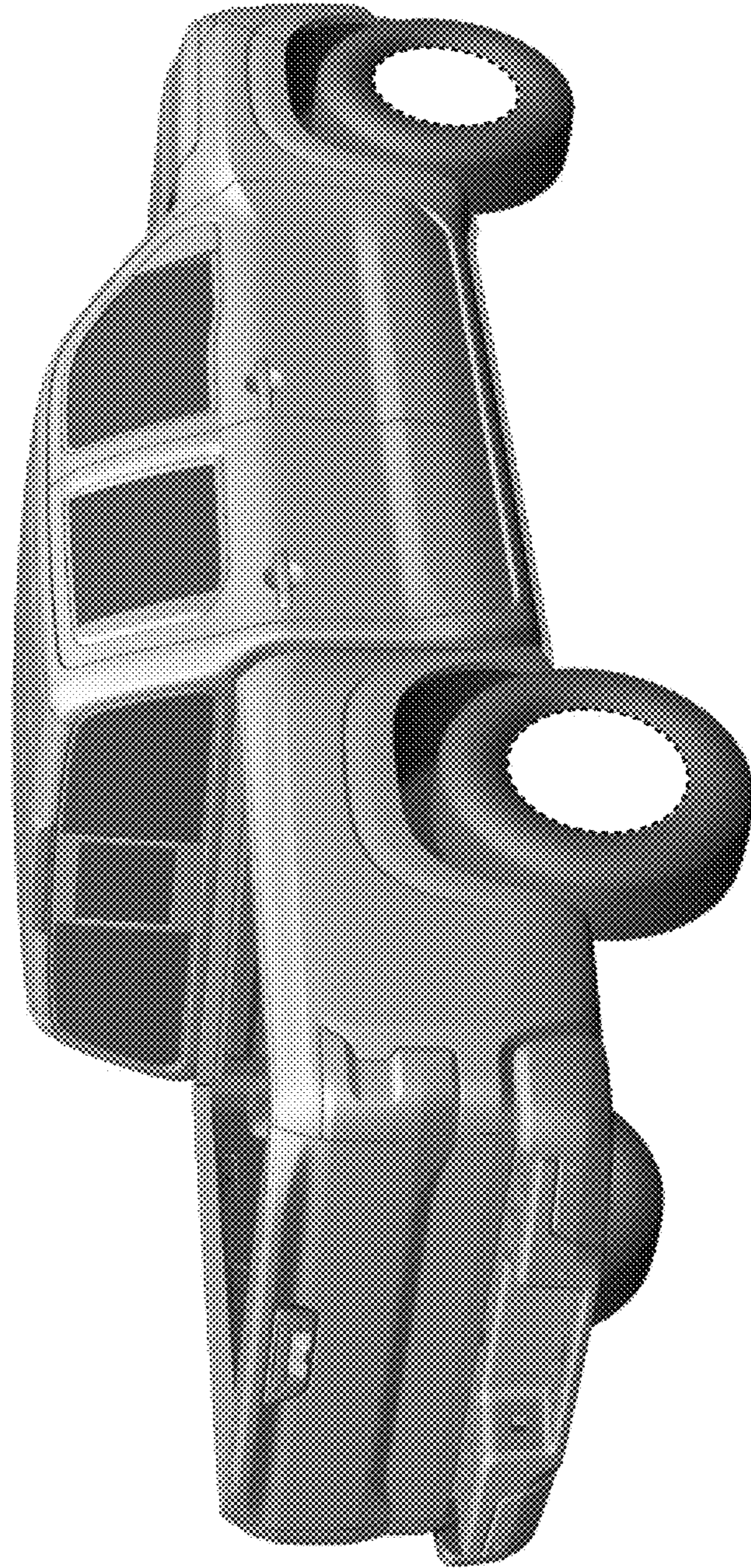


FIG. 2

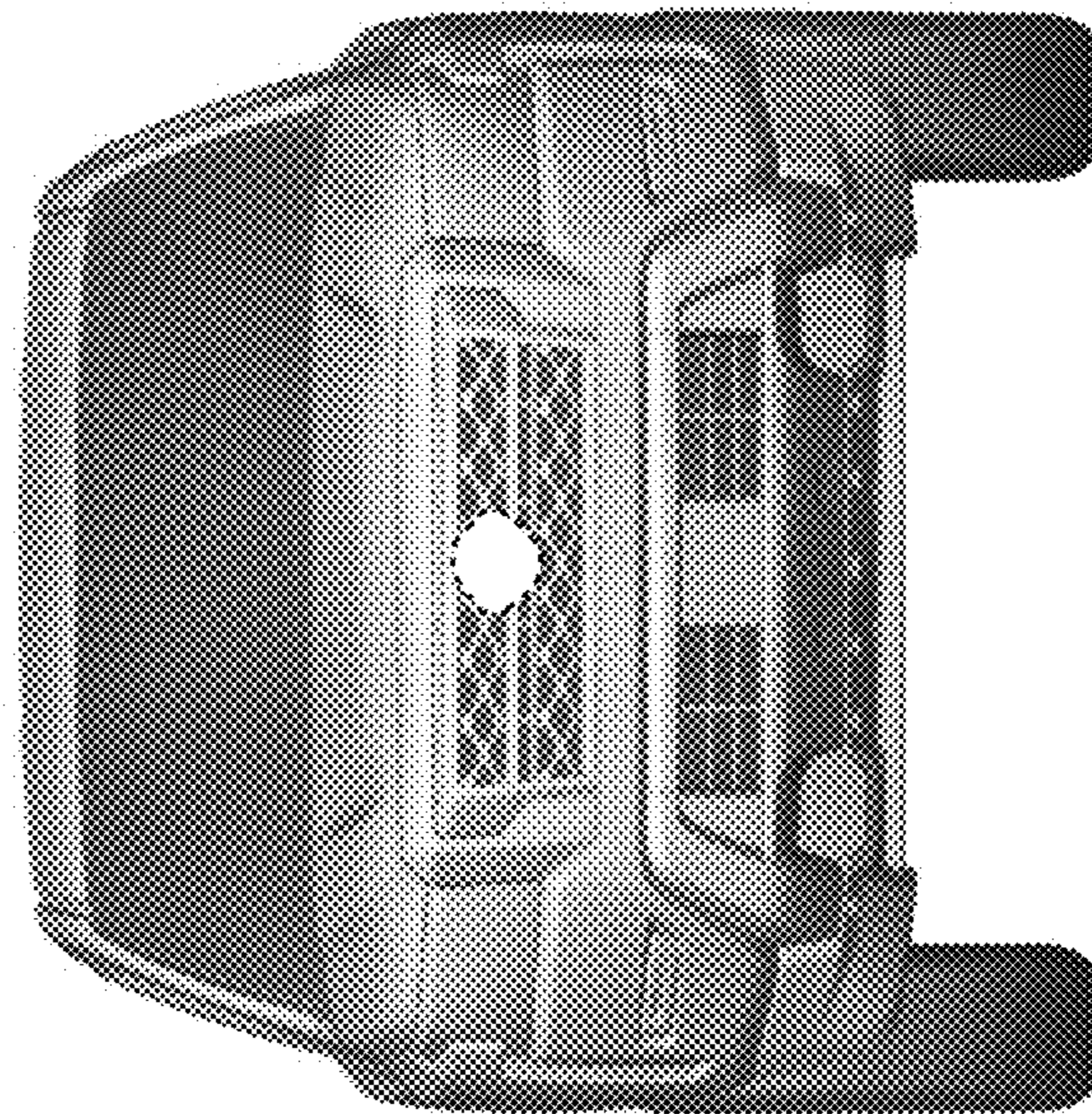


FIG. 3



FIG. 4



FIG. 5

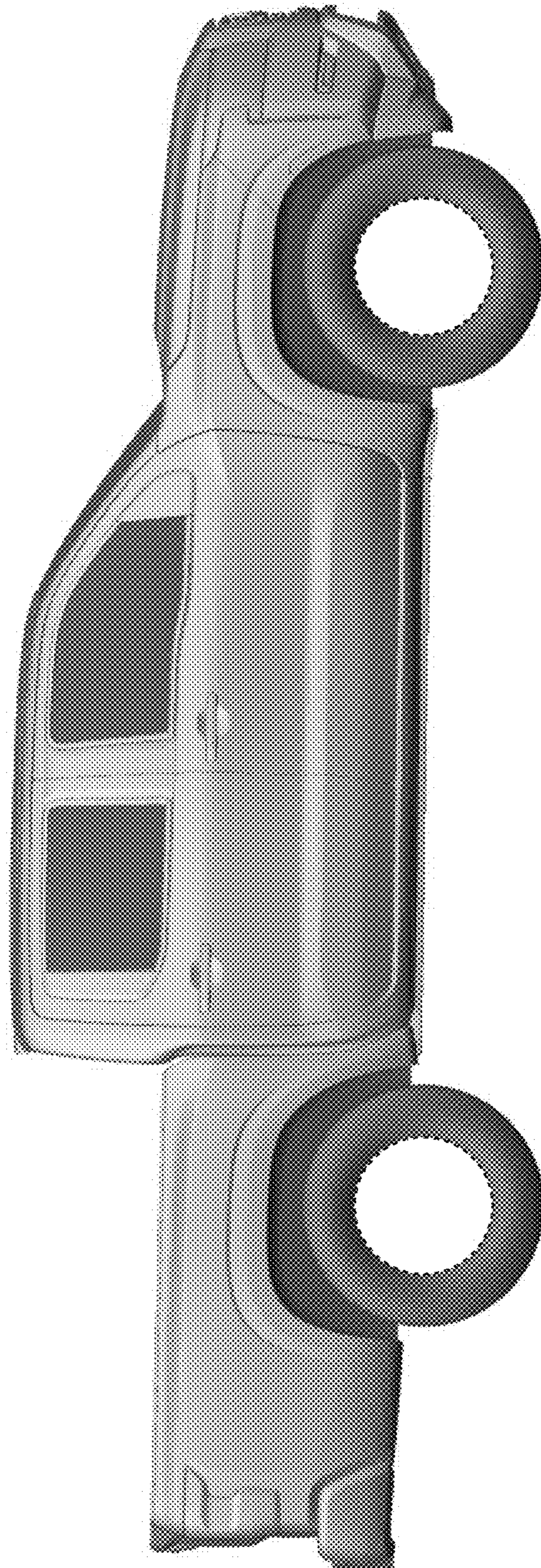


FIG. 6



FIG. 7