



US00D980748S

(12) **United States Design Patent**  
**Cordua**

(10) **Patent No.:** **US D980,748 S**

(45) **Date of Patent:** **\*\* Mar. 14, 2023**

(54) **MOTOR CAR BODY**  
(71) Applicant: **ARES MODENA S.R.L.**, Modena (IT)  
(72) Inventor: **Gianluca Cordua**, Modena (IT)  
(73) Assignee: **ARES MODENA S.R.L.**, Modena (IT)  
(\*\*) Term: **15 Years**  
(21) Appl. No.: **35/513,976**

D898,615 S *	10/2020	Manzoni	.....	D12/88
D910,491 S *	2/2021	Manzoni	.....	D12/92
D911,874 S *	3/2021	Melville	.....	D12/92
D937,128 S *	11/2021	Manzoni	.....	D12/92
D937,133 S *	11/2021	Manzoni	.....	D12/92
D937,709 S *	12/2021	Manzoni	.....	D12/92
D945,926 S *	3/2022	Borkert	.....	D12/88
D948,379 S *	4/2022	Manzoni	.....	D12/92
D958,698 S *	7/2022	Manzoni	.....	D12/92
D960,765 S *	8/2022	Manzoni	.....	D12/92
D964,212 S *	9/2022	Torone	.....	D12/90
D964,213 S *	9/2022	Torone	.....	D12/91

\* cited by examiner

(22) Filed: **Mar. 22, 2022**

(80) **Hague Agreement Data**

Int. Filing Date: **Mar. 22, 2022**  
Int. Reg. No.: **DM/219837**  
Int. Reg. Date: **Mar. 22, 2022**  
Int. Reg. Pub. Date: **Apr. 8, 2022**

*Primary Examiner* — Melody N Brown

(74) *Attorney, Agent, or Firm* — Thomas Horstemeyer, LLP

(51) **LOC (14) Cl.** ..... **12-08**

(52) **U.S. Cl.**  
USPC ..... **D12/88; D12/92**

(57) **CLAIM**

The ornamental design for a motor car body, as shown and described.

(58) **Field of Classification Search**  
USPC ..... D12/86, 88, 90-92, 164; D21/433, 434,  
D21/533, 534, 535; 296/181.1-181.5,  
296/183.1  
CPC ..... B62D 25/00; B62D 25/06; B62D 33/00;  
B62D 35/00  
See application file for complete search history.

**DESCRIPTION**

- 1. Motor car body
- 1.1 is a front and left side perspective view of a motor car body showing my new design;
- 1.2 is a rear and left side perspective view thereof;
- 1.3 is a left side elevational view thereof;
- 1.4 is a right side elevational view thereof;
- 1.5 is a front elevational view thereof;
- 1.6 is a rear view thereof;
- 1.7 is a top plan view thereof.

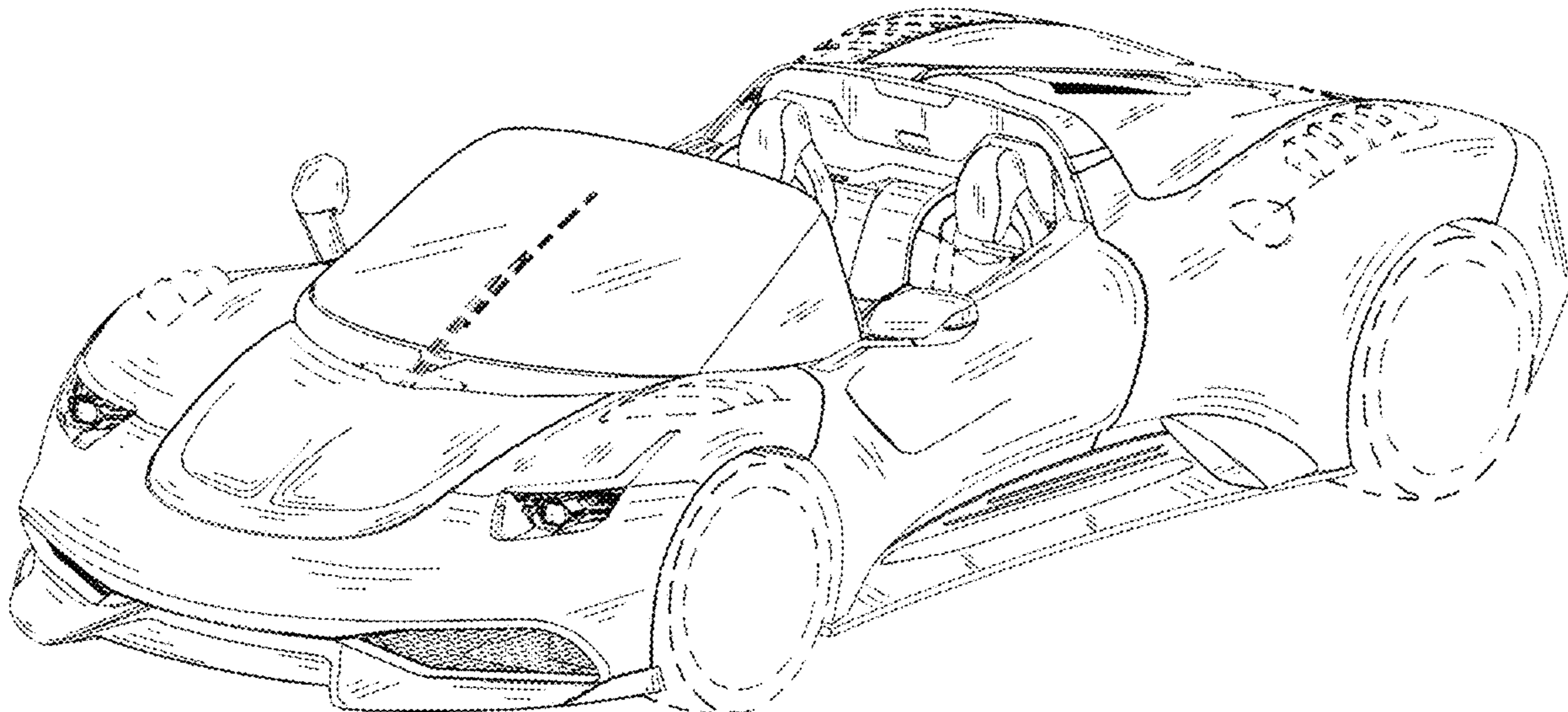
The portions of the motor car body shown in broken lines are for illustrative and environmental purposes that form no part of the claimed design.

(56) **References Cited**

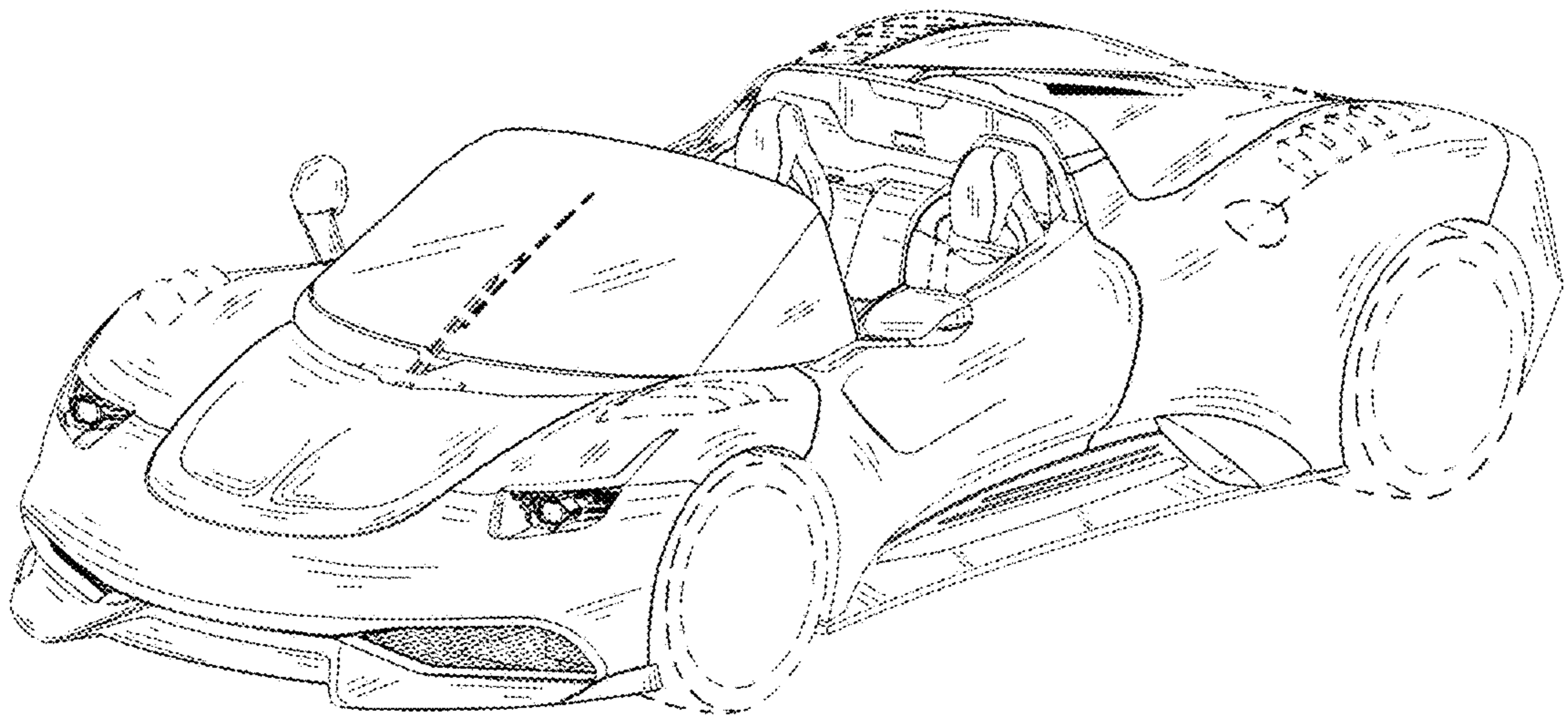
**U.S. PATENT DOCUMENTS**

D766,776 S *	9/2016	Rezvani	.....	D12/92
D788,642 S *	6/2017	Manzoni	.....	D12/88
D813,095 S *	3/2018	Manzoni	.....	D12/92

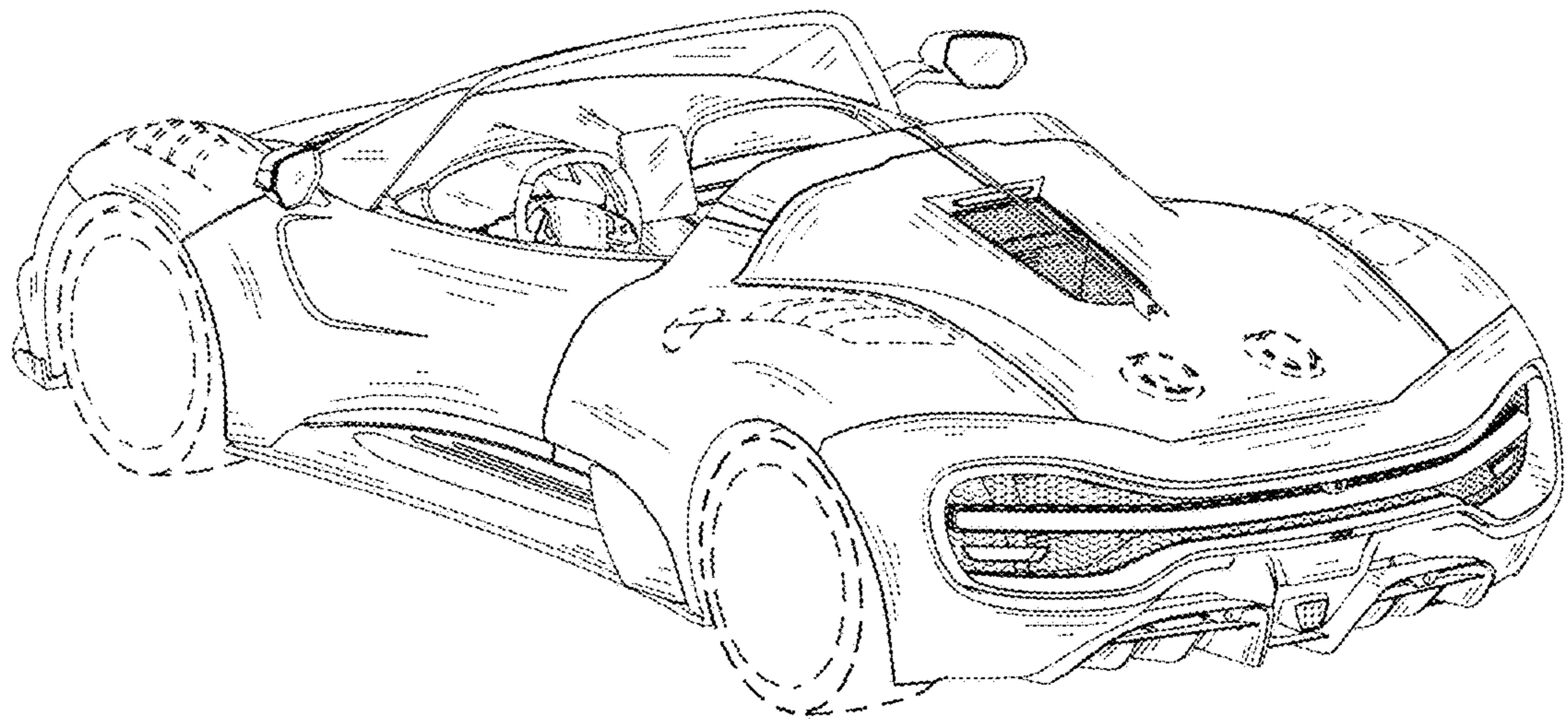
**1 Claim, 7 Drawing Sheets**



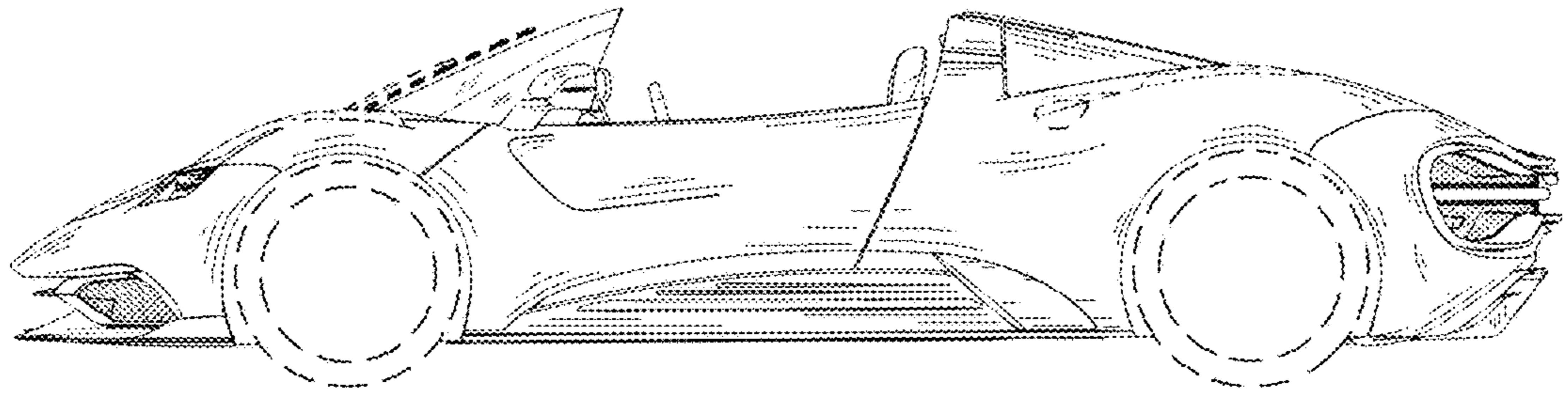
1.1



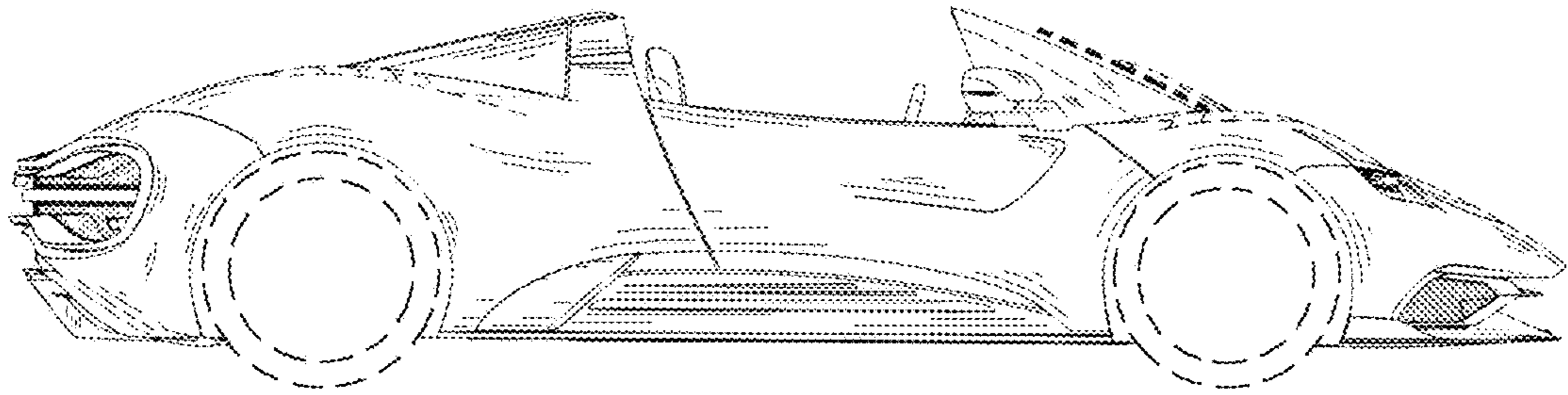
1.2



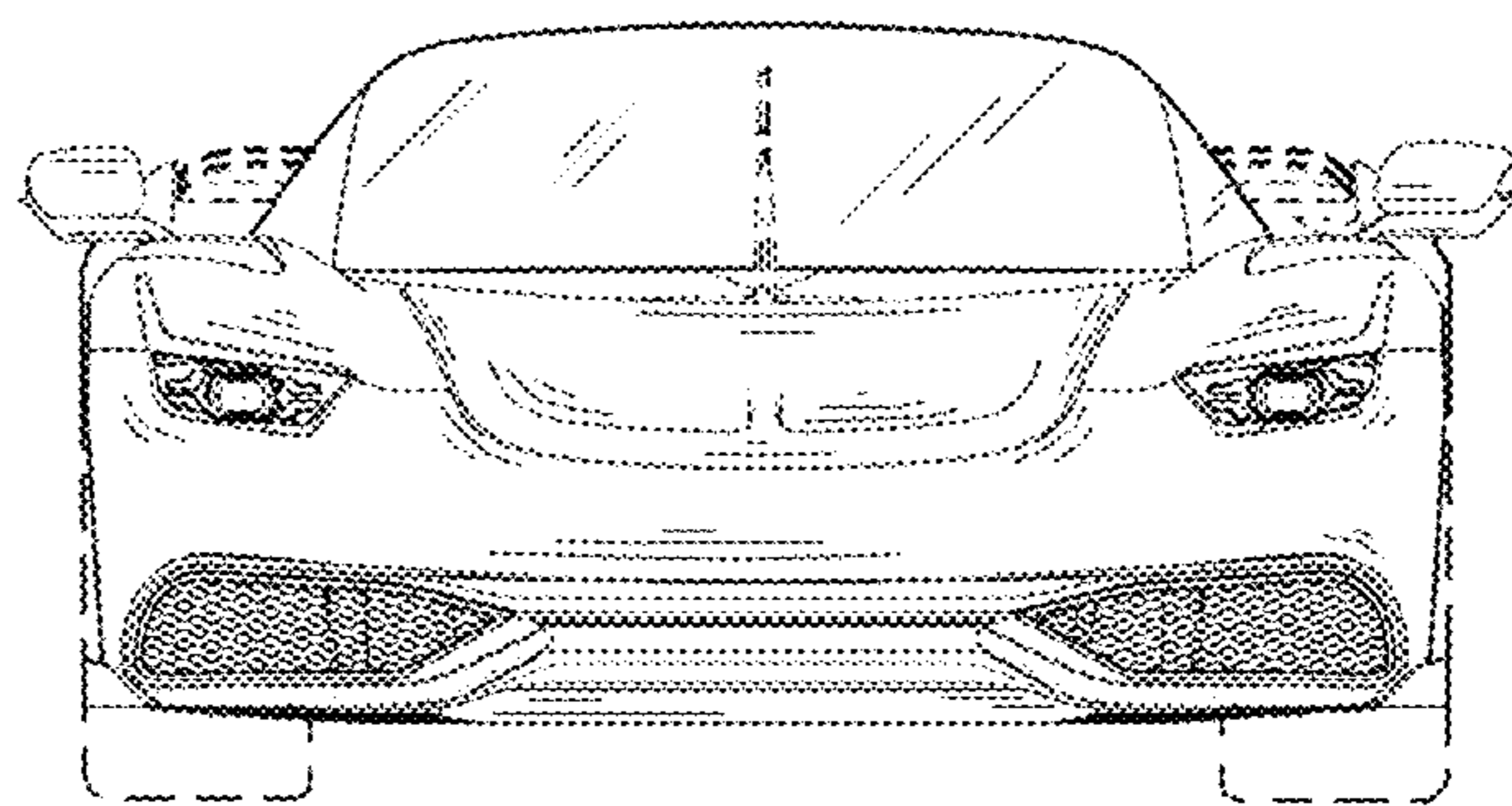
1.3



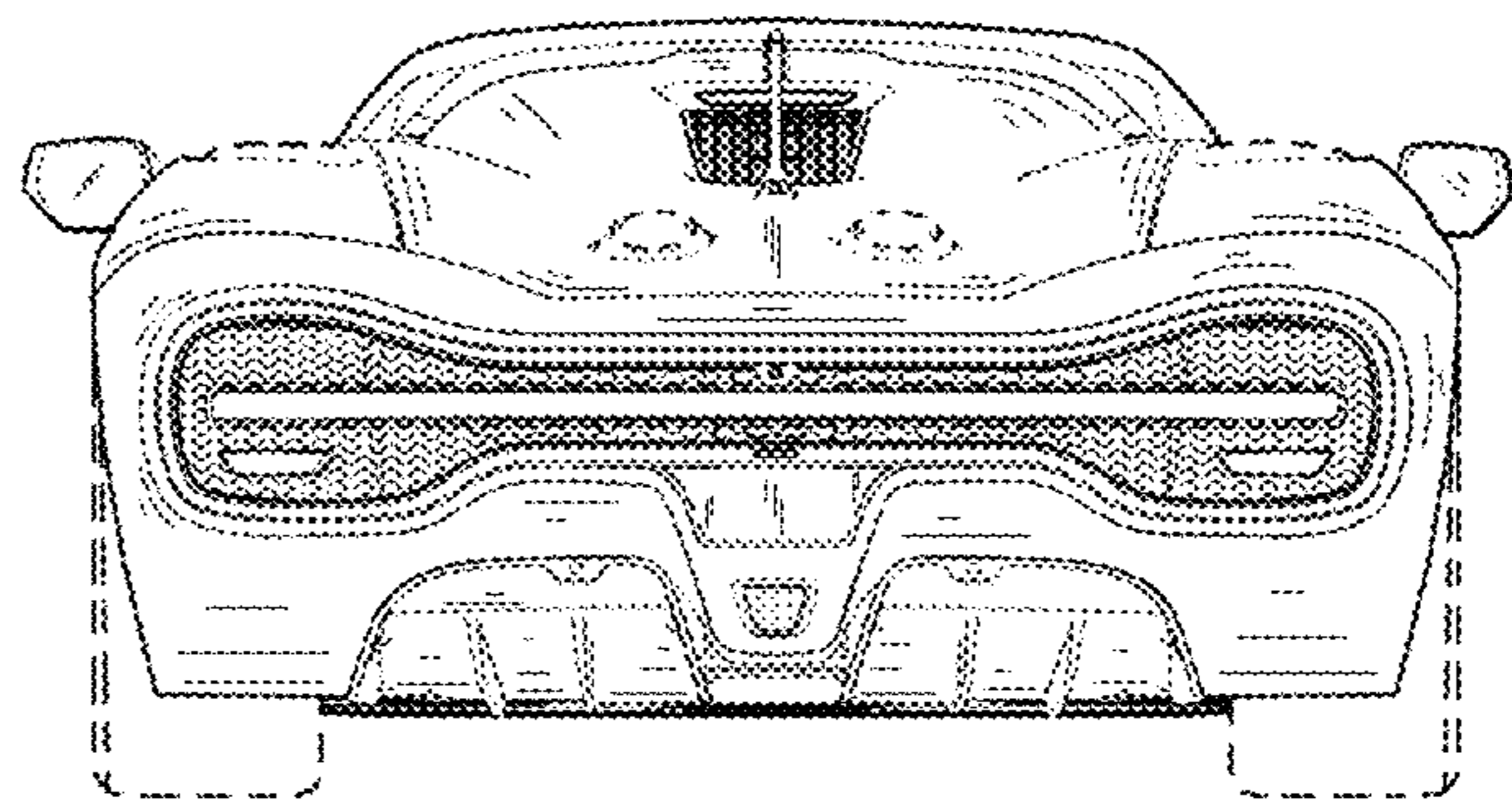
1.4



1.5



1.6



1.7

