



US00D980745S

(12) **United States Design Patent**
Crawford et al.

(10) **Patent No.:** **US D980,745 S**
(45) **Date of Patent:** **** Mar. 14, 2023**

(54) BUCKLE	7,073,235 B2 * 7/2006 Benedict A44B 11/2519 24/640
(71) Applicants: John Crawford , Canton, NC (US); Kyle Chumchal , Fletcher, NC (US); Anthony Louis Marfione , Mills River, NC (US)	8,572,820 B2 * 11/2013 Richards A44B 11/2519 24/648 10,743,624 B1 * 8/2020 Hsu A44B 11/2573 D902,780 S * 11/2020 Gao D11/216 11,109,648 B1 * 9/2021 Crawford A44B 11/2515 D963,518 S * 9/2022 Fung D11/218 2002/0124362 A1 * 9/2002 Glasa A44B 11/2519 24/633
(72) Inventors: John Crawford , Canton, NC (US); Kyle Chumchal , Fletcher, NC (US); Anthony Louis Marfione , Mills River, NC (US)	

FOREIGN PATENT DOCUMENTS

(73) Assignee: Microtech Knives, Inc. , Mills River, NC (US)	GB 6153630 * 8/2021
--	---------------------

OTHER PUBLICATIONS

(**) Term: **15 Years**

YouTube | New Release: APIS Belt, published on Oct. 15, 2021 by Microtech Knives, © 2021 Google LLC, Site visited Sep. 15, 2022. Available from Internet, New Release: APIS Belt—YouTube (Year: 2021).*

(21) Appl. No.: **29/780,656**

(22) Filed: **Apr. 26, 2021**

(51) **LOC (14) Cl.** **02-07**

(52) **U.S. Cl.**
USPC **D11/216**

(58) **Field of Classification Search**
USPC D11/200, 214–216, 218, 220; D8/354,
D8/382, 383; D30/151–153;
D2/627–629
CPC A44B 11/00; A44B 11/006; A44B 11/02;
A44B 11/04; A44B 11/065; A44B 11/25;
A44B 11/2507; A44B 11/2515; A44B
11/2519; A44B 11/2557; A44B 11/2592;
A44B 11/26; A44B 11/263; A44B 17/00;
A44B 11/266; A44B 11/253
See application file for complete search history.

(Continued)

Primary Examiner — Llorellys Martinez
Assistant Examiner — Nicole M. Leech
(74) *Attorney, Agent, or Firm* — Steve LeBlanc, LLC

(57) **CLAIM**

The ornamental design for a buckle, as shown and described.

DESCRIPTION

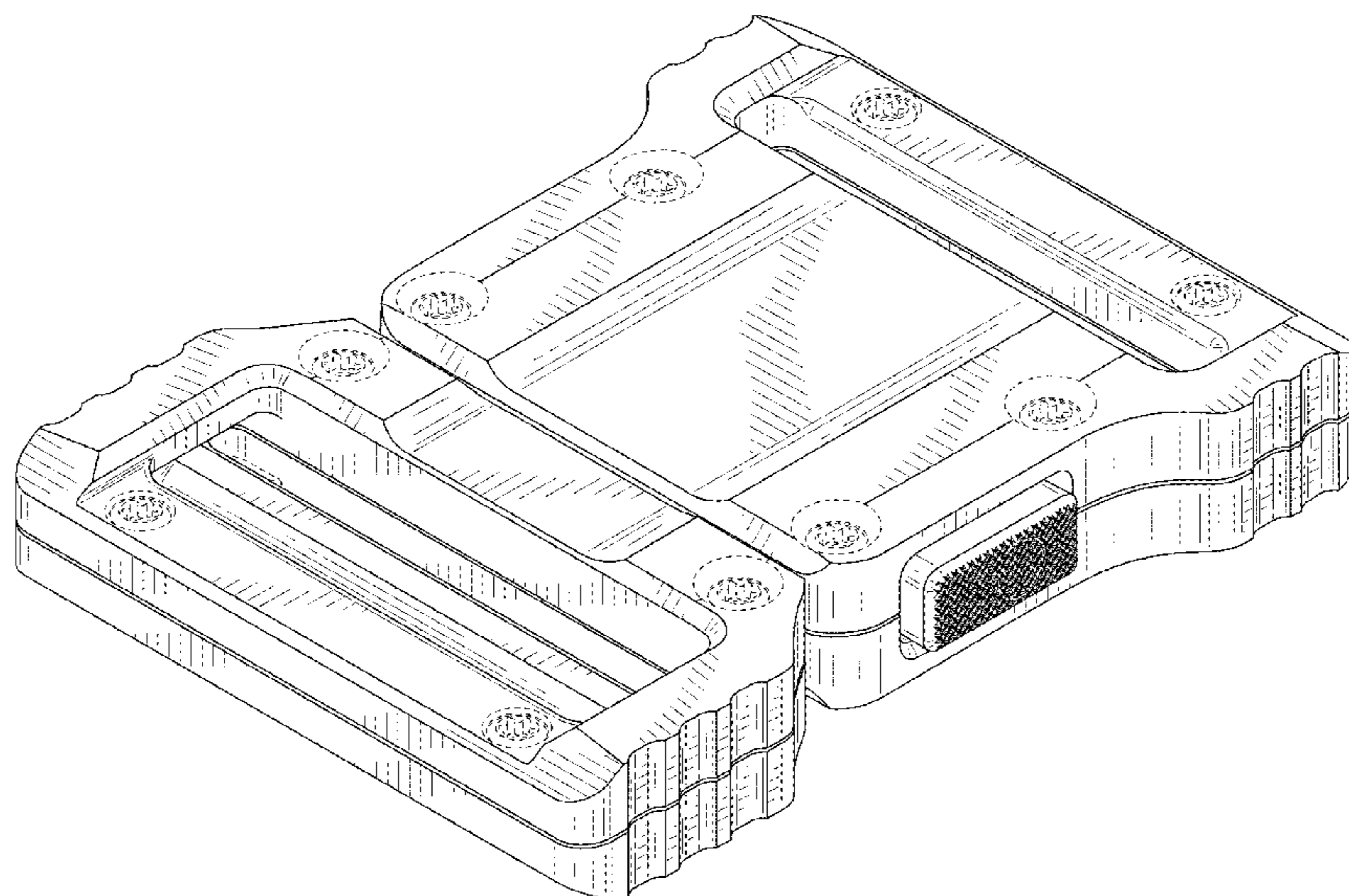
FIG. 1 is a front perspective view of the buckle;
FIG. 2 is a front view of the buckle;
FIG. 3 is a rear view of the buckle;
FIG. 4 is a right side view of the buckle;
FIG. 5 is a left side view of the buckle;
FIG. 6 is a top view of the buckle; and,
FIG. 7 is a bottom view of the buckle.
The broken lines in the drawings represent portions of the buckle that form no part of the claimed design.

(56) **References Cited**

U.S. PATENT DOCUMENTS

2,847,748 A *	8/1958	Robinton	A44B 11/2519 24/313
3,201,840 A *	8/1965	Jantzen	A44B 11/2519 24/639

1 Claim, 5 Drawing Sheets



(56)

References Cited

OTHER PUBLICATIONS

New Marfione Custom APIS Belt, Date Available Aug. 3, 2021, Facebook—Microtech Knives, Site Visited on Sep. 15, 2022: https://m.facebook.com/MicrotechKnivesOfficial/posts/new-marfione-custom-apis-belt-headed-to-dealers-this-week/2893087744287475/?_se_imp=0zLTBVHtWJYeLsRCx (Year: 2021).*

Jassy Tactical Belt Cargo Belt, No Date Available, Banggood, Site Visited on Oct. 31, 2022: https://USA.banggood.com/JASSY-120cm-Men-Nylon-Elastic-Casual-All-match-Outdoor-Tactical-Belt-Cargo-Belt-with-Heavy-Duty-Quick-Release-Buckle-p-1958077.html?cur_warehouse=CN&ID=224 (Year: 2022).*

* cited by examiner

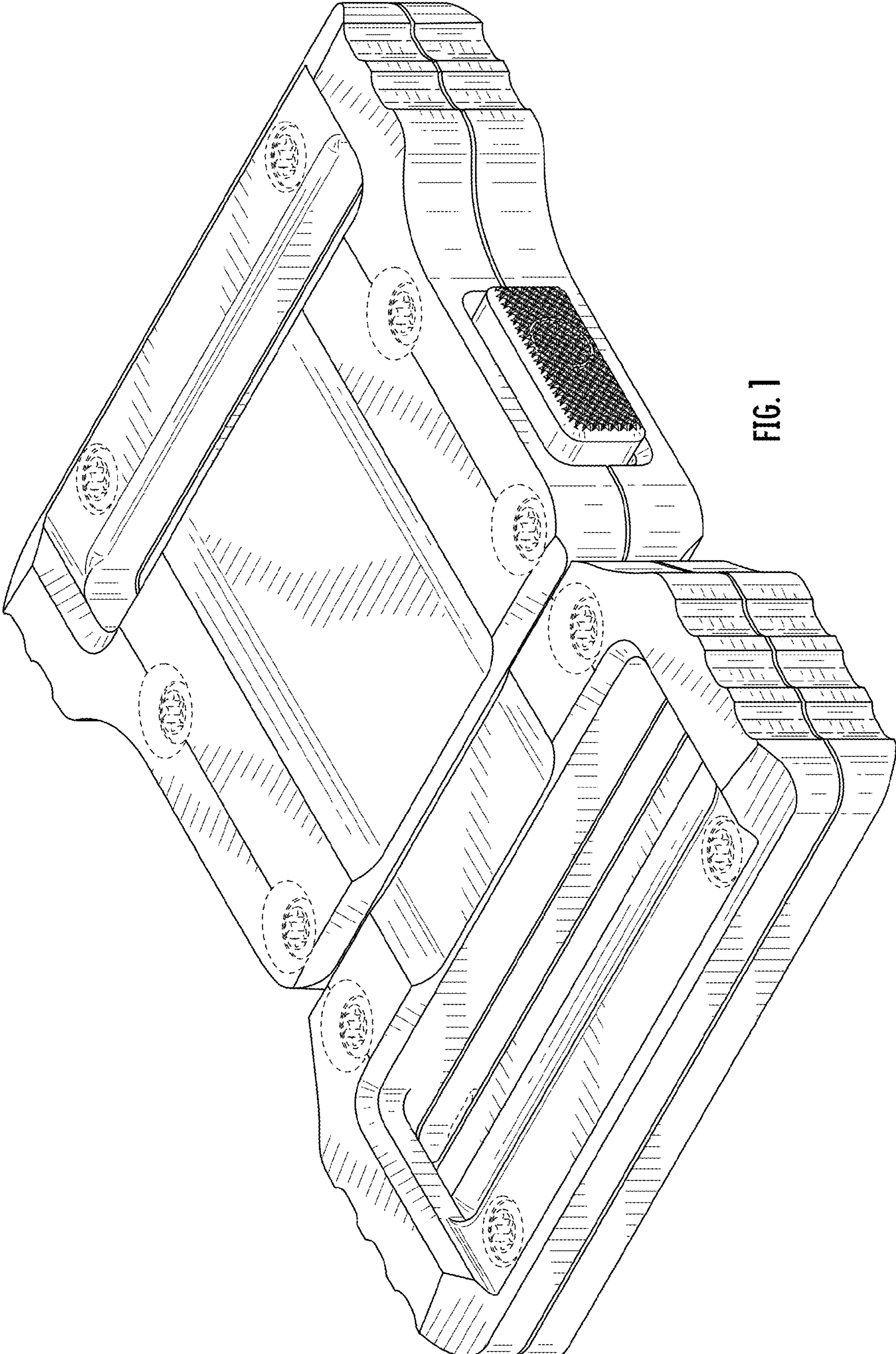


FIG. 1

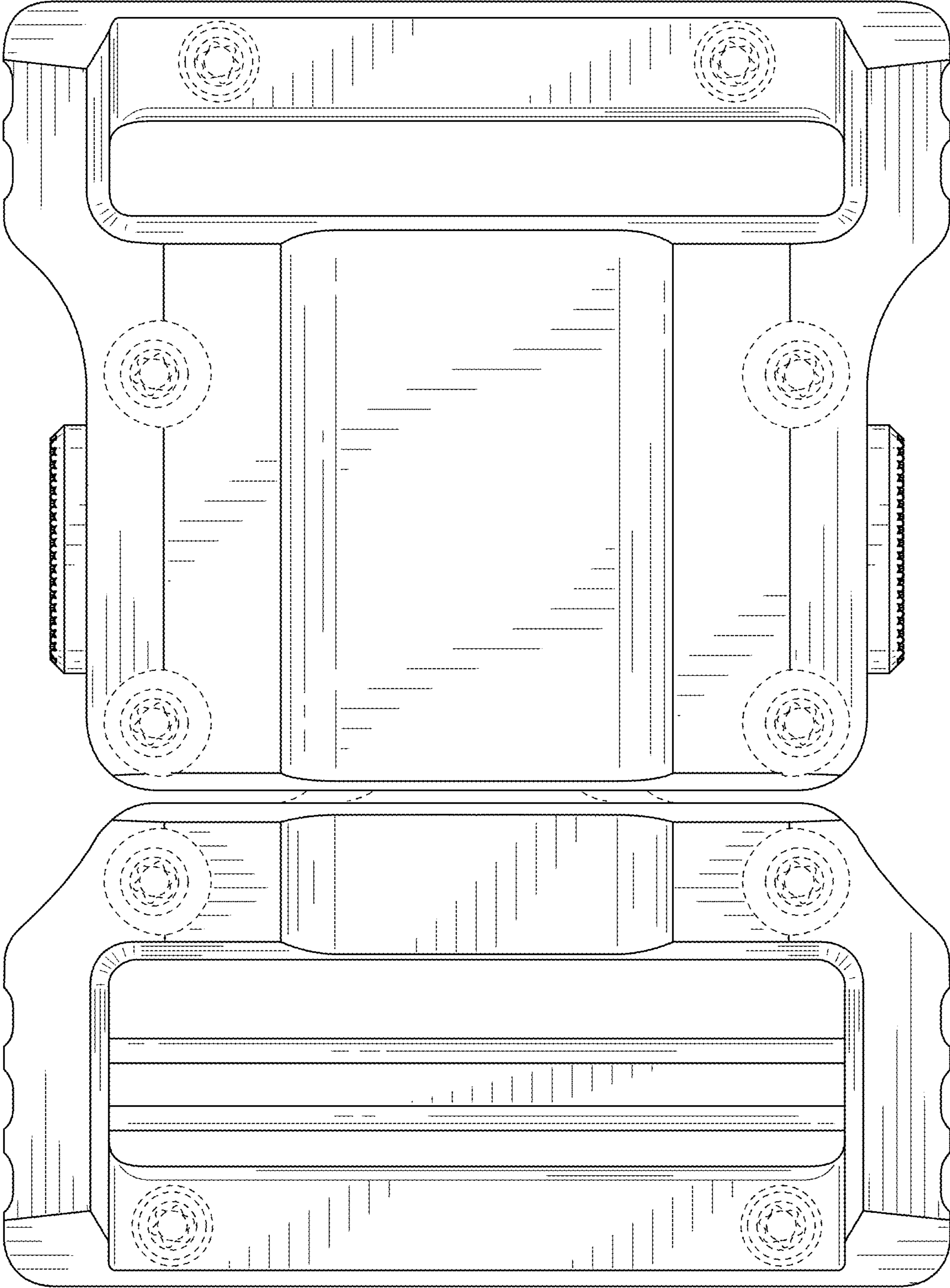


FIG. 2

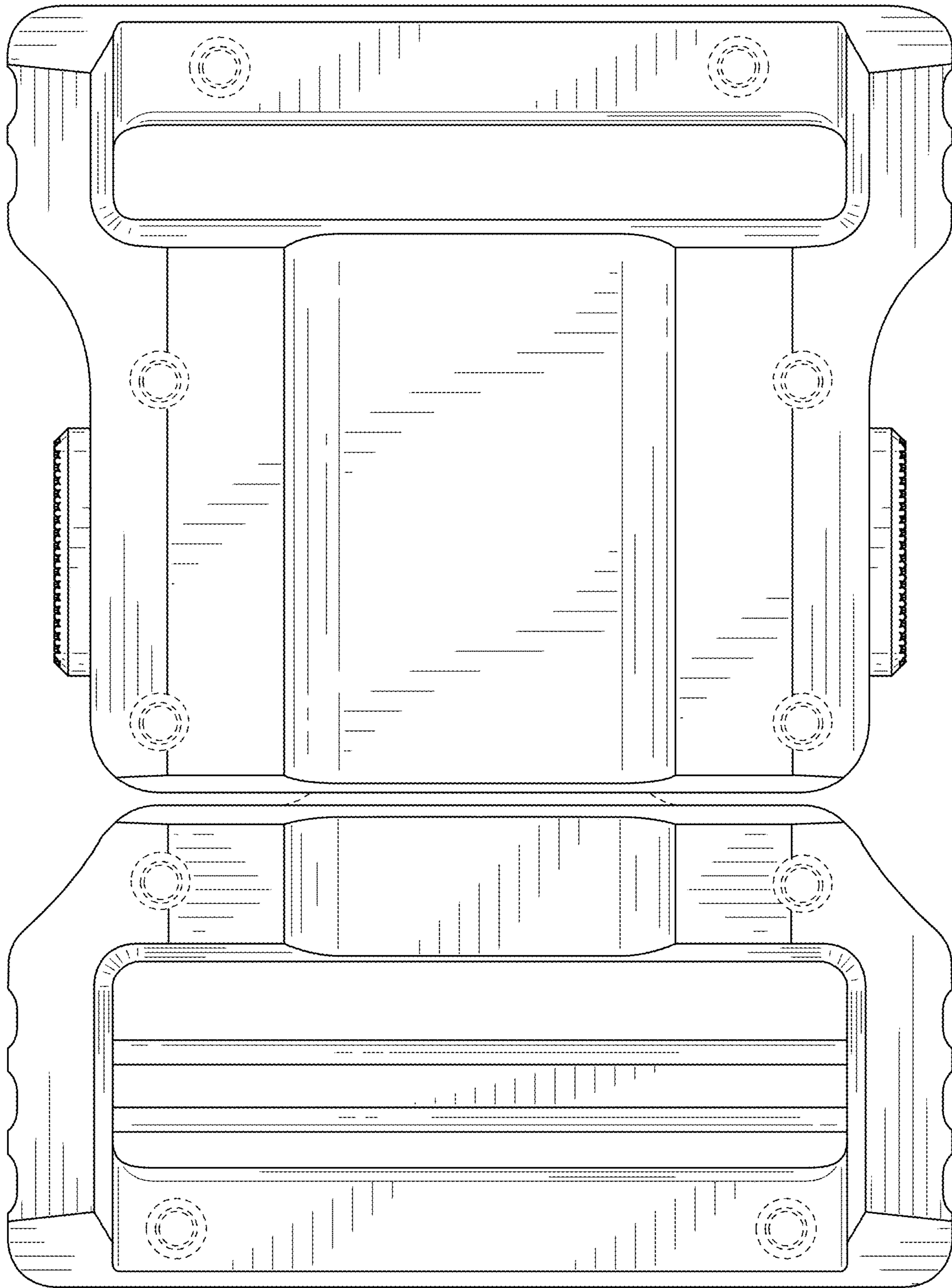


FIG. 3

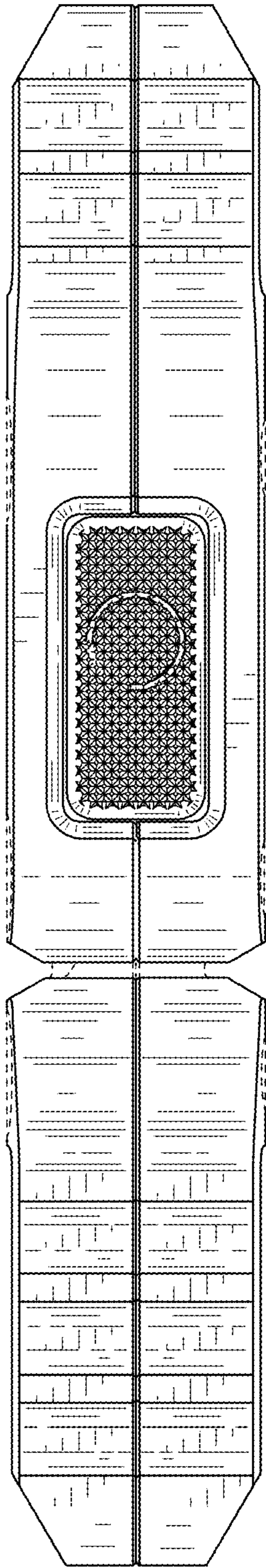


FIG. 4

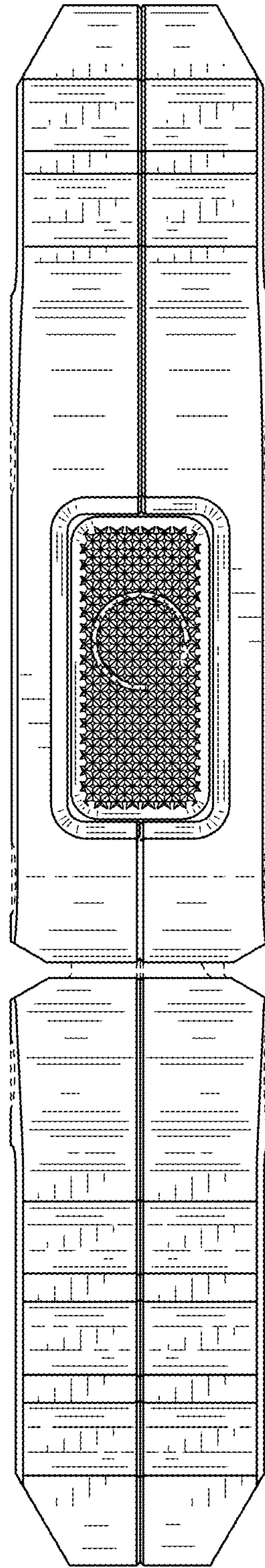


FIG. 5

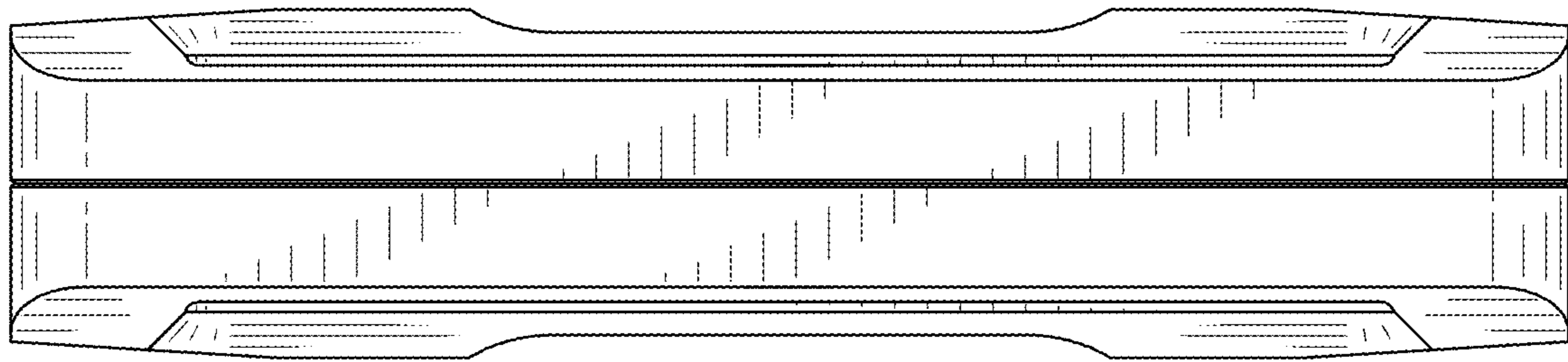


FIG. 6

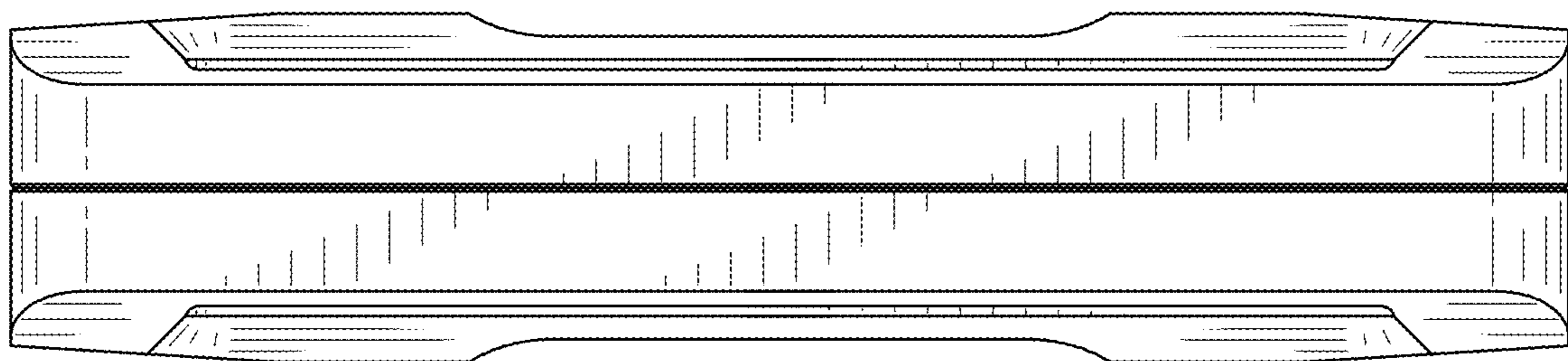


FIG. 7