



US00D980744S

(12) **United States Design Patent**  
**Crawford et al.**

(10) **Patent No.:** **US D980,744 S**

(45) **Date of Patent:** **\*\* Mar. 14, 2023**

- (54) **BUCKLE**
- (71) Applicants: **John Crawford**, Canton, NC (US);  
**Kyle Chumchal**, Fletcher, NC (US);  
**Anthony Louis Marfione**, Mills River, NC (US)
- (72) Inventors: **John Crawford**, Canton, NC (US);  
**Kyle Chumchal**, Fletcher, NC (US);  
**Anthony Louis Marfione**, Mills River, NC (US)

2,941,272 A \* 6/1960 Bourguignon ..... B64D 17/32  
24/657  
D621,743 S \* 8/2010 Hortnagl ..... D11/216  
D703,580 S \* 4/2014 Lin ..... D11/216  
D902,780 S \* 11/2020 Gao ..... D11/216  
11,109,648 B1 \* 9/2021 Crawford ..... A44B 11/2515  
2002/0124362 A1 \* 9/2002 Glasa ..... A44B 11/2519  
24/633  
2012/0124790 A1 \* 5/2012 Richards ..... A44B 11/2519  
24/593.1

(Continued)

**FOREIGN PATENT DOCUMENTS**

- (73) Assignee: **Microtech Knives, Inc.**, Mills River, NC (US)

GB 6153634 \* 8/2021

**OTHER PUBLICATIONS**

(\*\*) Term: **15 Years**

YouTube | New Release: Apis Belt, published on Oct. 15, 2021 by Microtech Knives, © 2021 Google LLC, Site visited Sep. 15, 2022. Available from Internet, New Release: Apis Belt—YouTube (Year: 2021).\*

(21) Appl. No.: **29/780,623**

(22) Filed: **Apr. 26, 2021**

(51) **LOC (14) Cl.** ..... **11-07**

(52) **U.S. Cl.**  
USPC ..... **D11/216**

(58) **Field of Classification Search**  
USPC ..... D11/200, 214–216, 218, 220; D8/354,  
D8/382, 383; D30/151–153;  
D2/627–629  
CPC ..... A44B 11/00; A44B 11/006; A44B 11/02;  
A44B 11/04; A44B 11/065; A44B 11/25;  
A44B 11/2507; A44B 11/2515; A44B  
11/2519; A44B 11/2557; A44B 11/2592;  
A44B 11/26; A44B 11/263; A44B 17/00;  
A44B 11/266; A44B 11/253

See application file for complete search history.

(Continued)

*Primary Examiner* — Llorellys Martinez  
*Assistant Examiner* — Nicole M. Leech  
(74) *Attorney, Agent, or Firm* — Steve LeBlanc, LLC

(57) **CLAIM**

The ornamental design for a buckle, as shown and described.

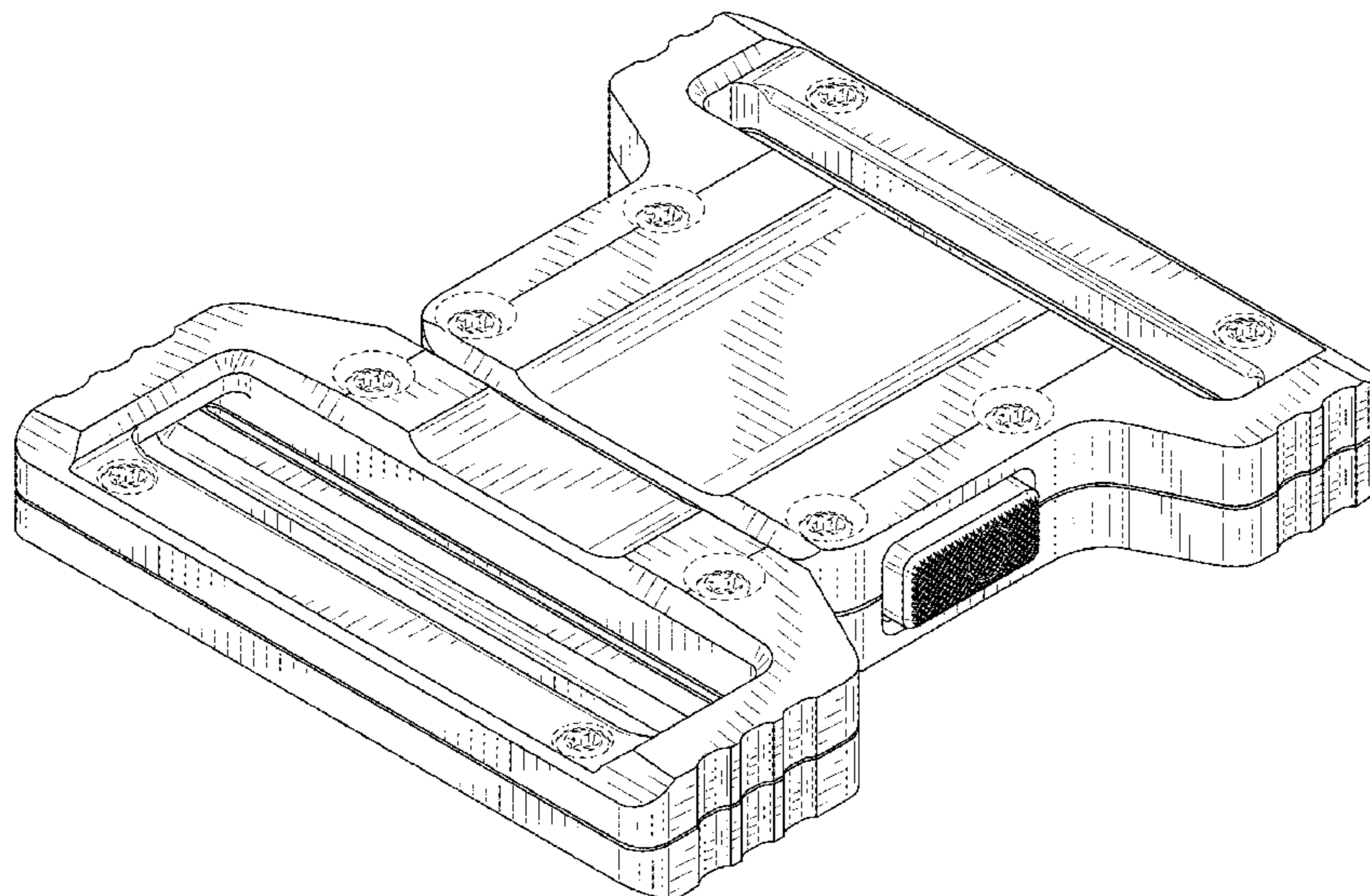
**DESCRIPTION**

FIG. 1 is a front perspective view of the buckle;  
FIG. 2 is a front view of the buckle;  
FIG. 3 is a rear view of the buckle;  
FIG. 4 is a right side view of the buckle;  
FIG. 5 is a left side view of the buckle;  
FIG. 6 is a top view of the buckle; and,  
FIG. 7 is a bottom view of the buckle.  
The broken lines in the drawings represent portions of the buckle that form no part of the claimed design.

- (56) **References Cited**  
U.S. PATENT DOCUMENTS

2,518,889 A \* 8/1950 Henderson ..... B64D 17/32  
24/598.5  
2,847,748 A \* 8/1958 Robinton ..... A44B 11/2519  
24/313

**1 Claim, 5 Drawing Sheets**



(56)

**References Cited**

U.S. PATENT DOCUMENTS

2014/0082902 A1\* 3/2014 Hortnagl ..... A44B 11/266  
24/664  
2017/0196315 A1\* 7/2017 Hung ..... A44B 11/2519

OTHER PUBLICATIONS

New Marfione Custom Apis Belt, Date Available Aug. 3, 2021, Facebook—Microtech Knives, Site Visited on Sep. 15, 2022: [https://m.facebook.com/MicrotechKnivesOfficial/posts/new-marfione-custom-apis-belt-headed-to-dealers-this-week/2893087744287475/?\\_se\\_imp=0zLTBVHtWJYeLsRCx](https://m.facebook.com/MicrotechKnivesOfficial/posts/new-marfione-custom-apis-belt-headed-to-dealers-this-week/2893087744287475/?_se_imp=0zLTBVHtWJYeLsRCx) (Year: 2021).\*

1.5" Nylon Gun Belt, Date First Available: 2016, Fairwin, Site visited on Sep. 27, 2022: 1.5" Nylon Gun Belt—Fairwin (i-fairwin.com) (Year: 2016).\*

\* cited by examiner

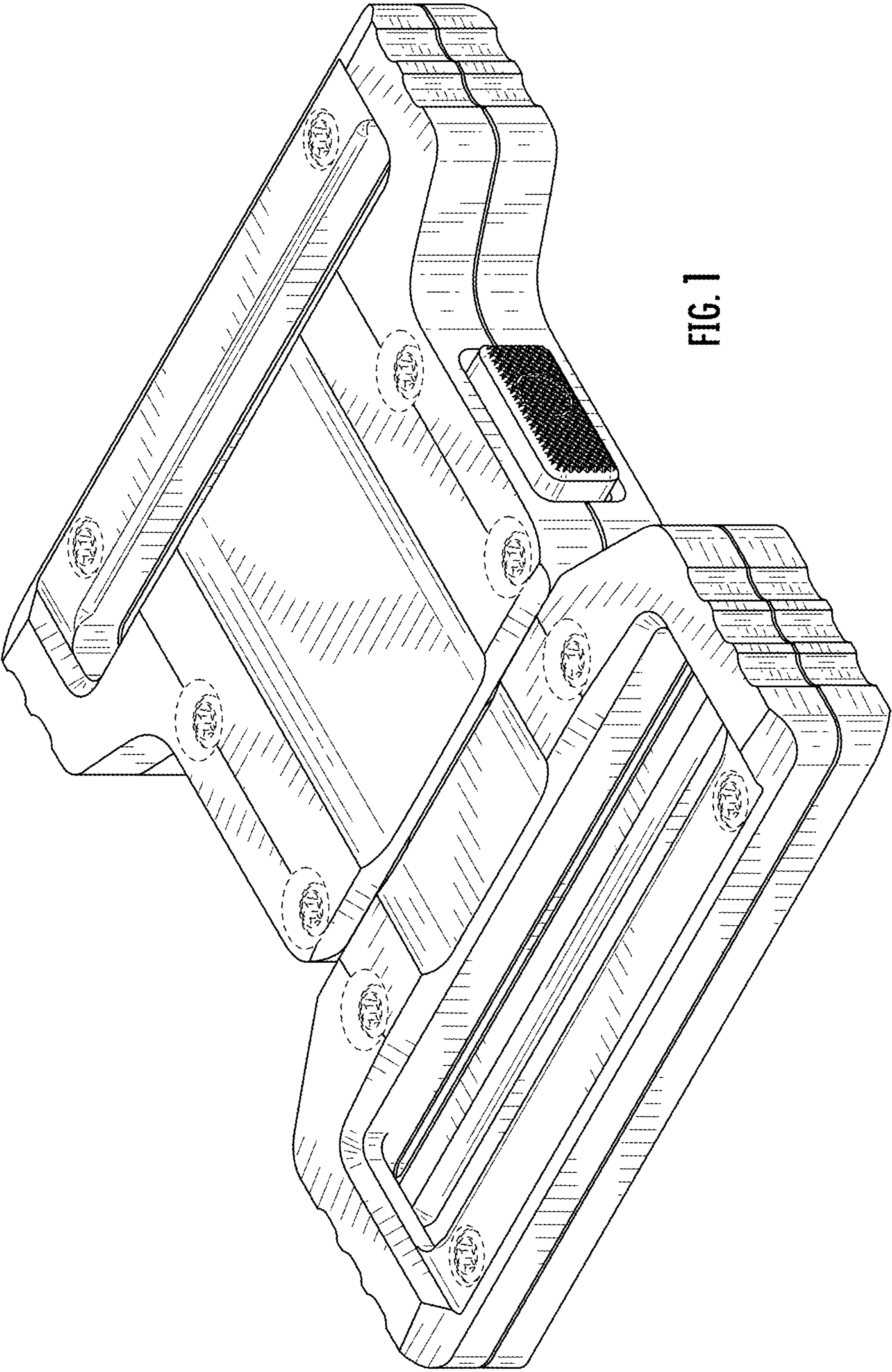


FIG. 1

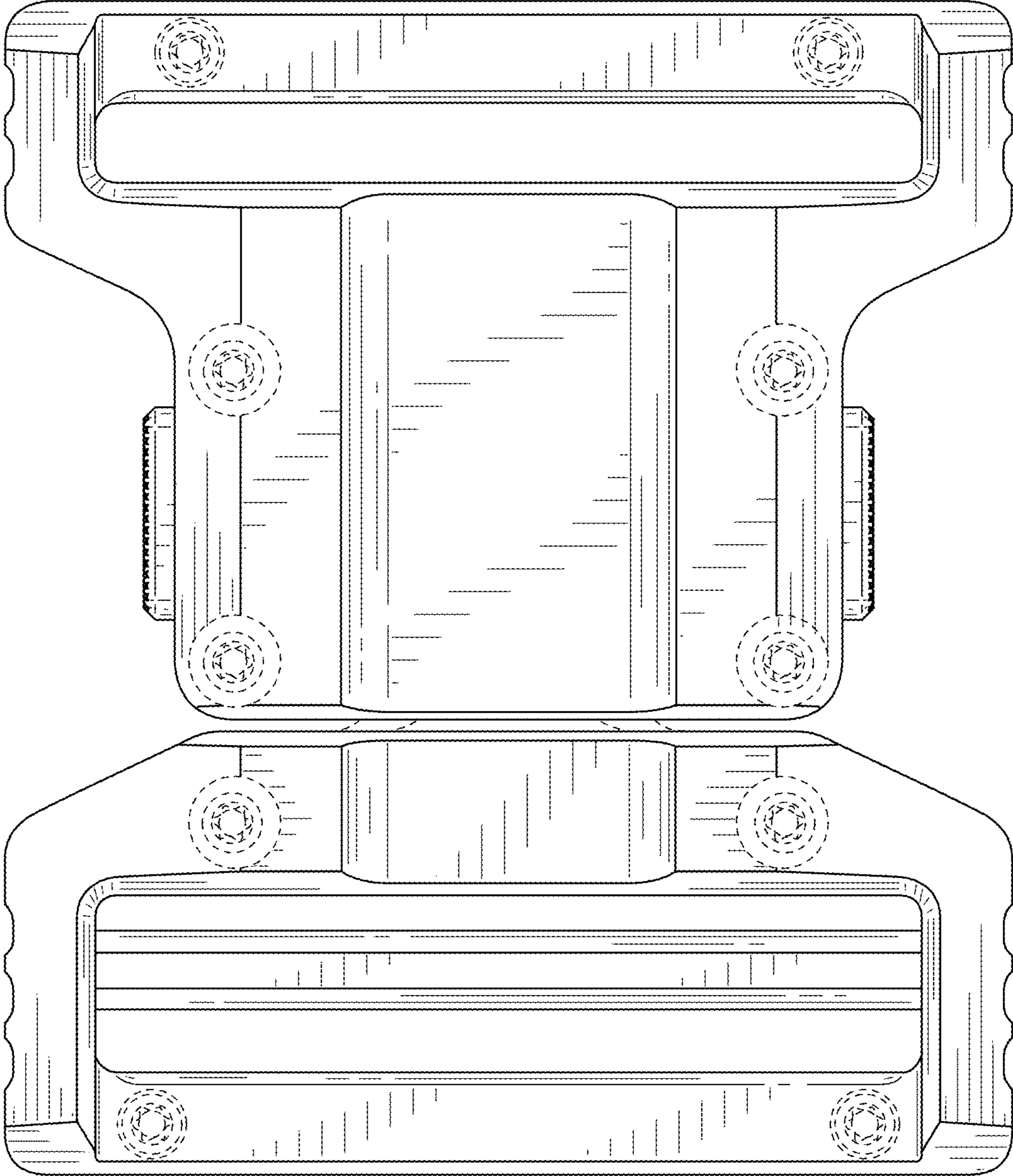


FIG. 2

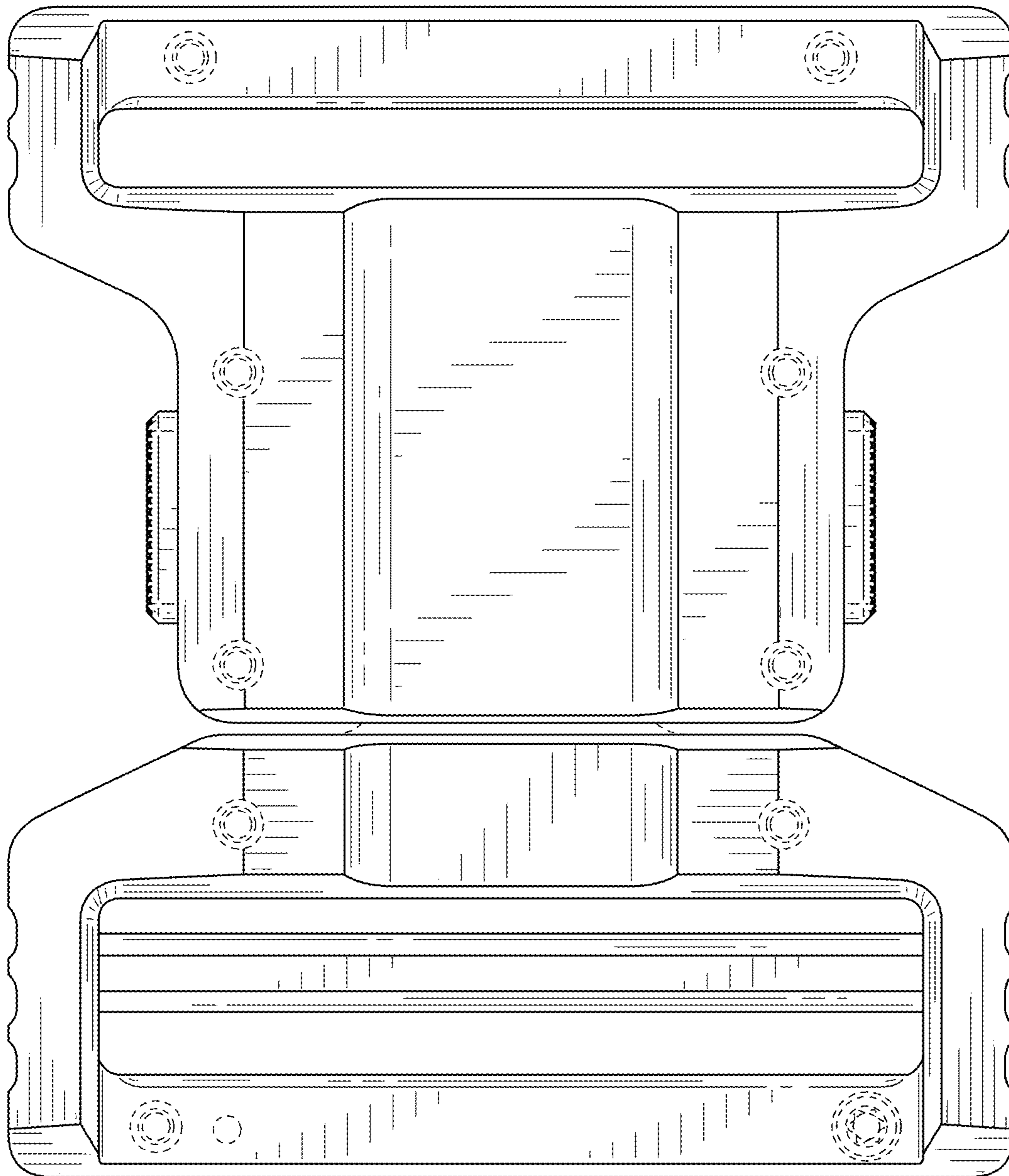


FIG. 3

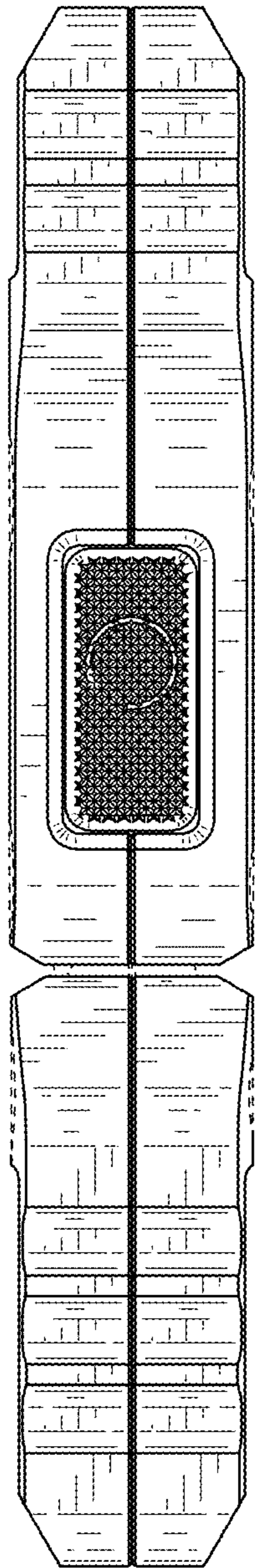


FIG. 4

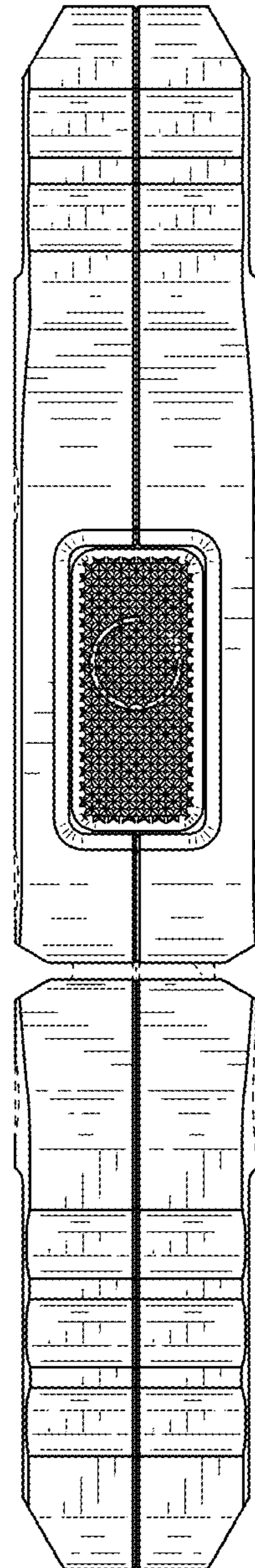


FIG. 5

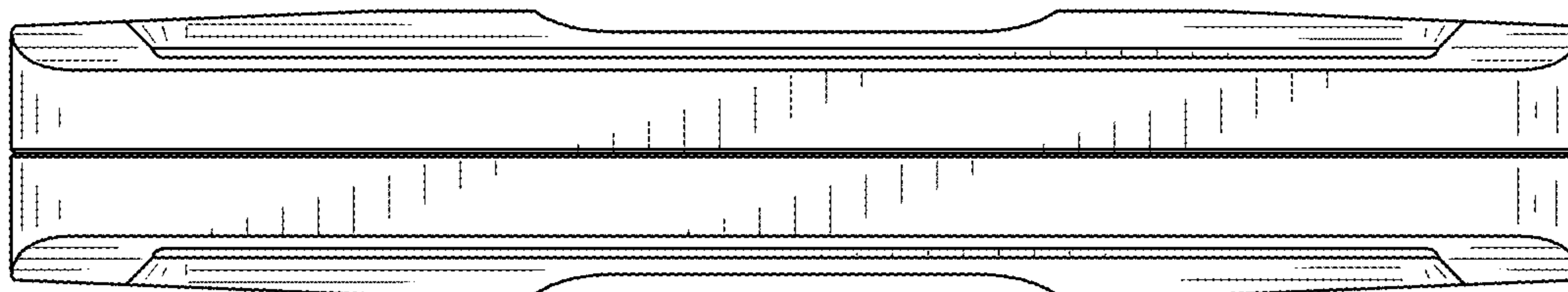


FIG. 6

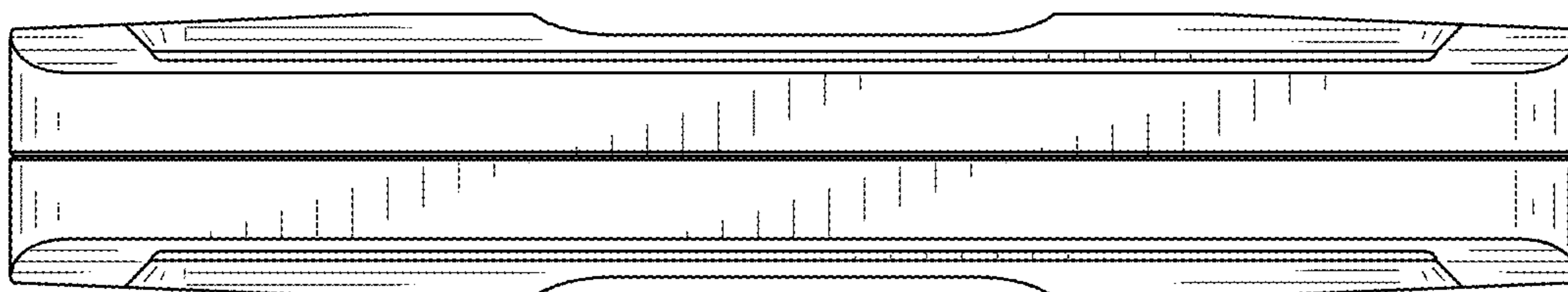


FIG. 7