



US00D980741S

(12) **United States Design Patent**
Tysander

(10) **Patent No.:** **US D980,741 S**
(45) **Date of Patent:** **** Mar. 14, 2023**

(54) **PENDANT**
(71) Applicant: **Daniel Wellington AB**, Stockholm (SE)
(72) Inventor: **Filip Tysander**, Stockholm (SE)
(**) Term: **15 Years**
(21) Appl. No.: **35/512,191**
(22) Filed: **May 3, 2021**
(80) **Hague Agreement Data**
Int. Filing Date: **May 3, 2021**
Int. Reg. No.: **DM/215200**
Int. Reg. Date: **May 3, 2021**
Int. Reg. Pub. Date: **Jul. 16, 2021**

D595,177 S * 6/2009 Strauzer D11/79
D619,039 S * 7/2010 Sandberg D11/103
D627,255 S * 11/2010 Wang D11/99
D659,046 S * 5/2012 Papadimitriou D11/79
8,429,934 B2 * 4/2013 Roessler A44C 25/007
63/15
D703,577 S * 4/2014 Cipolla D11/93
D716,639 S * 11/2014 Kelleghan D8/356
D742,775 S * 11/2015 Wempe D11/56
D763,721 S * 8/2016 Greppi D11/56
D783,443 S * 4/2017 Bresser D11/79
D863,098 S * 10/2019 Polkovnikov D11/79
D883,842 S * 5/2020 Avni A44C 15/00
D11/34
D911,208 S * 2/2021 Tysander D11/26

* cited by examiner

Primary Examiner — Richard E Chilcot

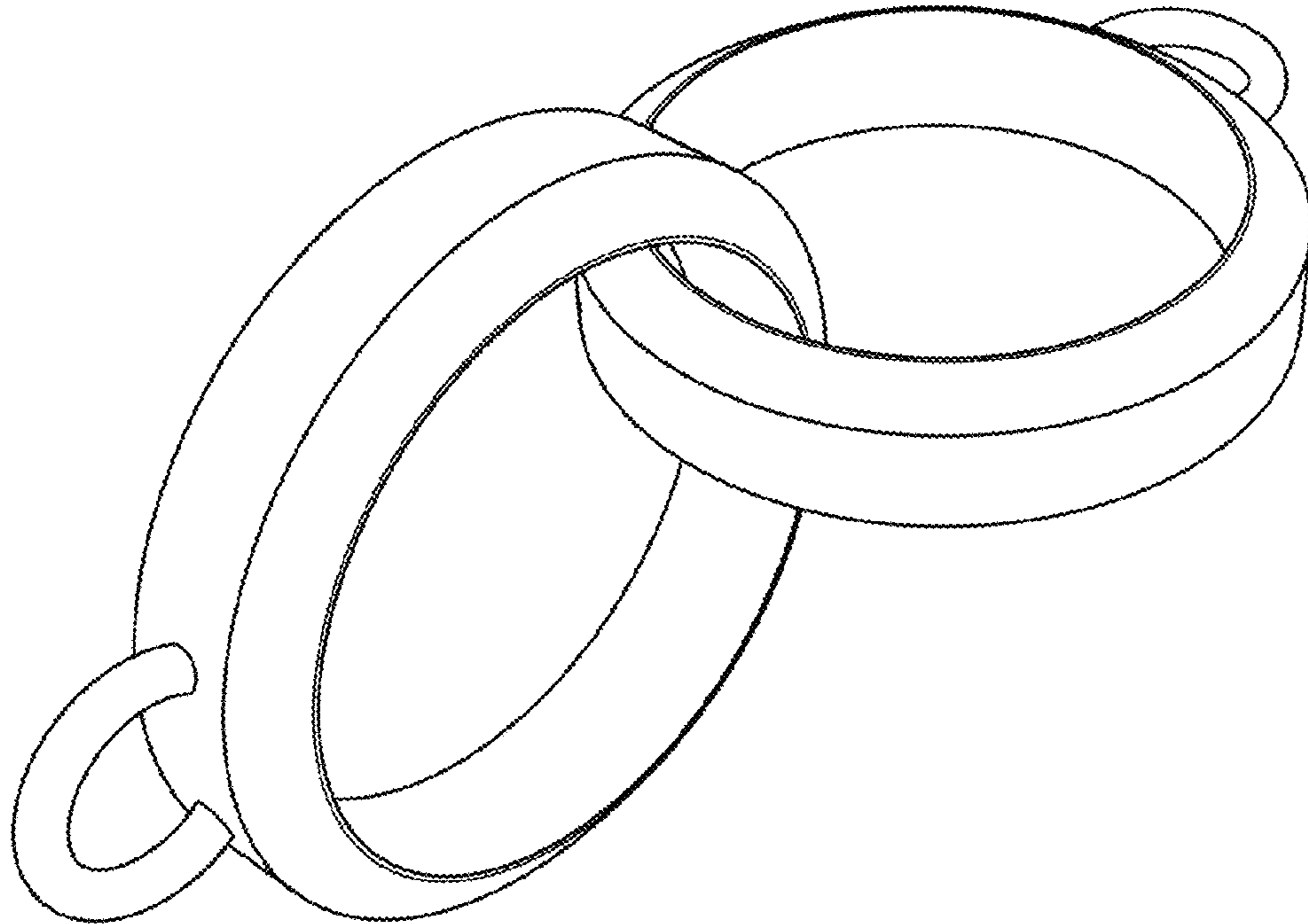
(30) **Foreign Application Priority Data**
Nov. 4, 2020 (EM) 008247373
(51) **LOC (14) Cl.** **11-01**
(52) **U.S. Cl.**
USPC **D11/79**
CPC **A44C 25/007** (2013.01)
(58) **Field of Classification Search**
USPC D11/1-23, 26, 37, 38, 43, 45, 79-85
CPC ... A44C 15/00; A44C 15/0045; A44C 15/005;
A44C 15/0055; A44C 9/00; A44C
9/0007; A44C 9/0015; A44C 13/00; A44C
5/00; A44C 5/0084; A44C 5/0092; A44C
11/00
See application file for complete search history.

(56) **References Cited**
U.S. PATENT DOCUMENTS
D545,236 S * 6/2007 Allin D11/79
D579,373 S * 10/2008 Rosenthal D11/79

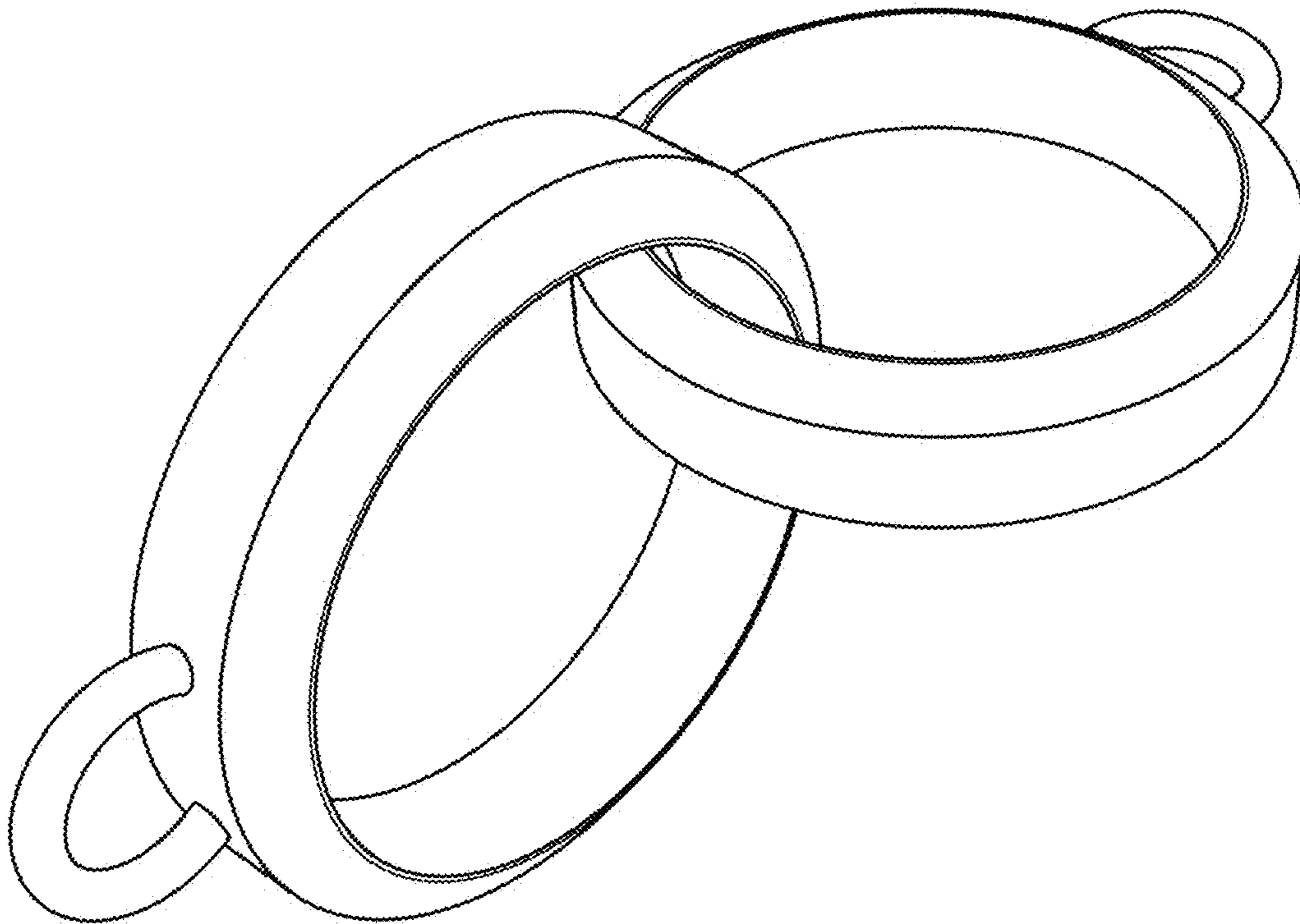
(57) **CLAIM**
The ornamental design for a pendant, as shown and described.

DESCRIPTION
2. Pendant
2.1 : Perspective
2.2 : Right
2.3 : Left
2.4: Top
2.5 : Front
2.6 : Back
2.7 : Bottom

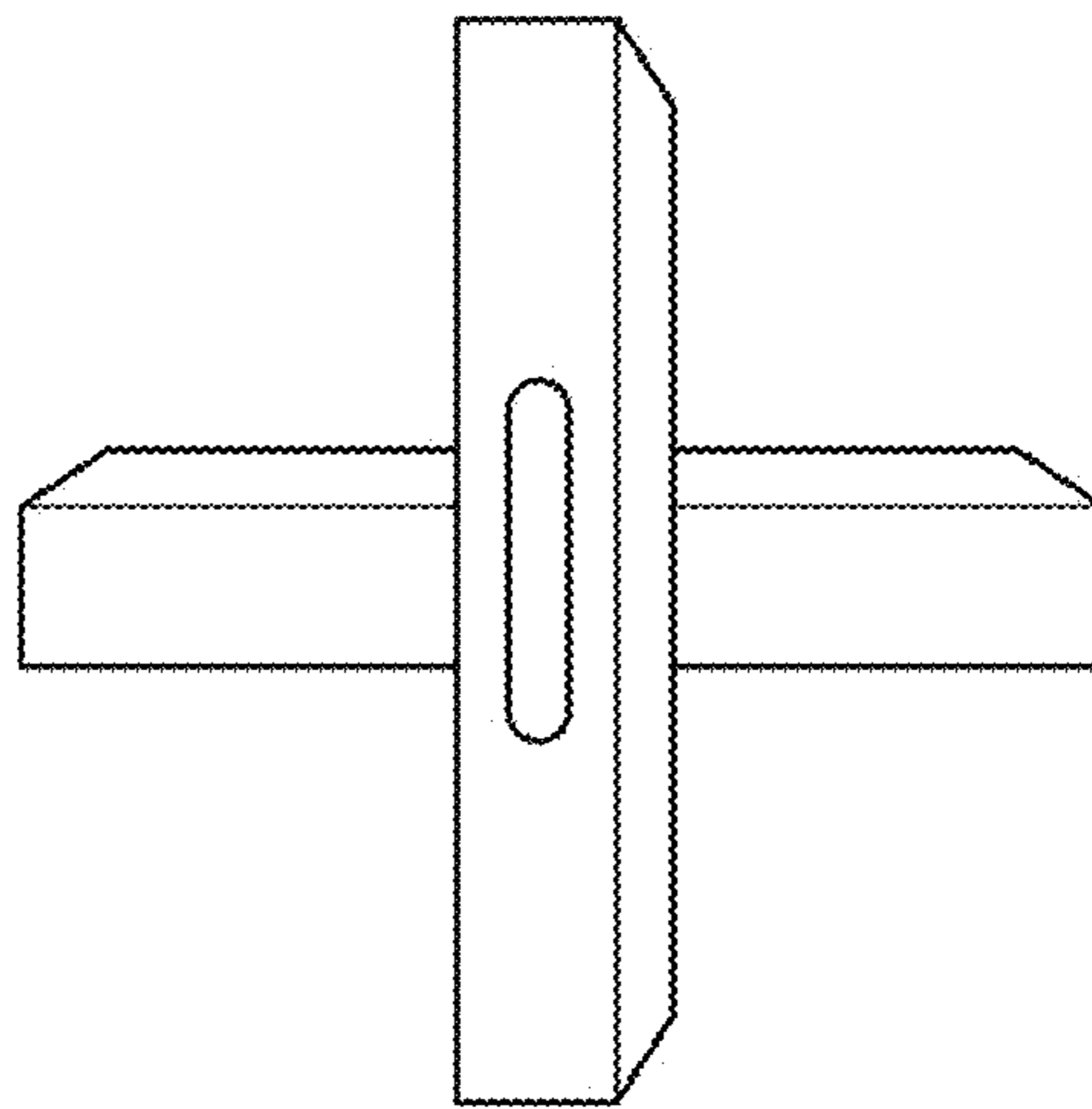
1 Claim, 7 Drawing Sheets



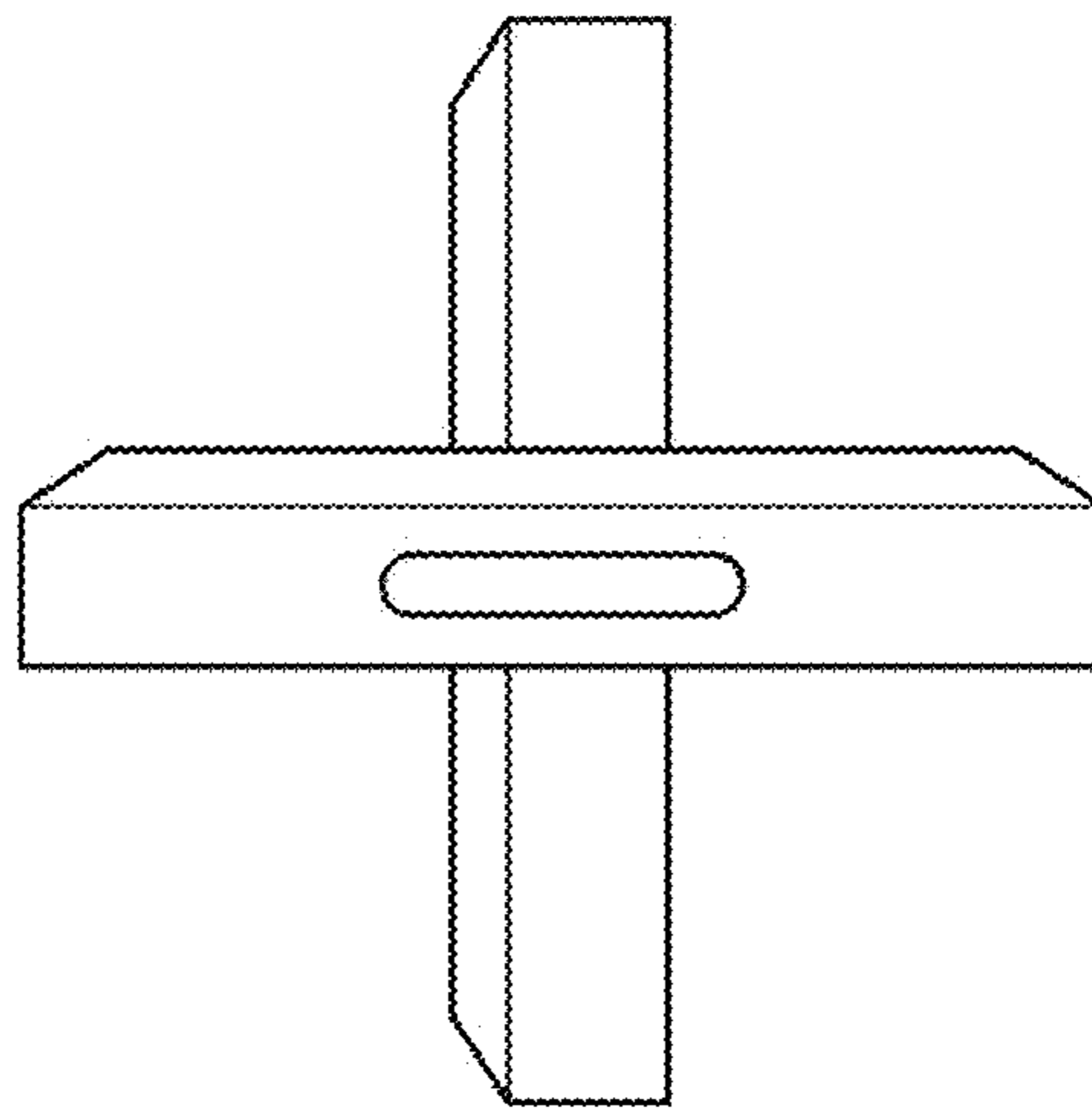
2.1



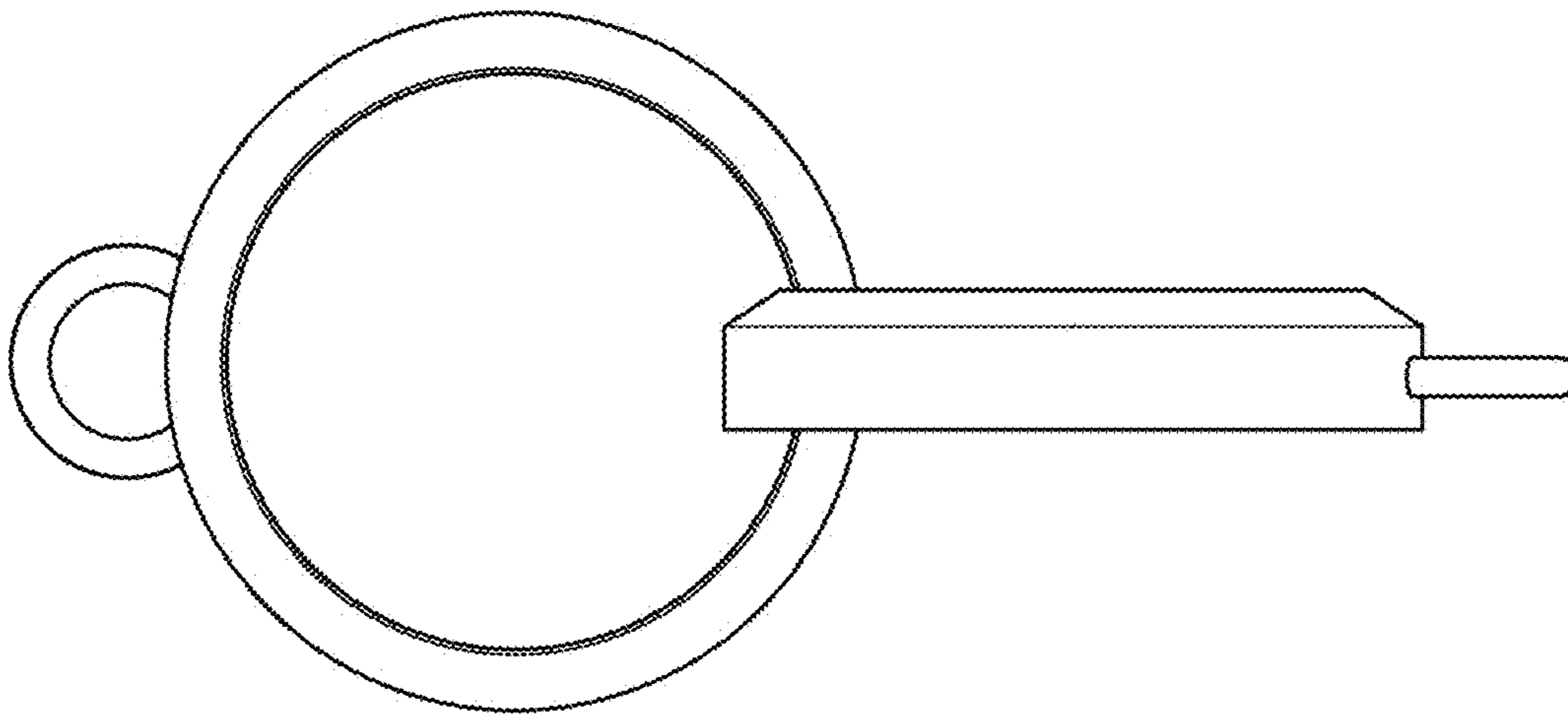
2.2



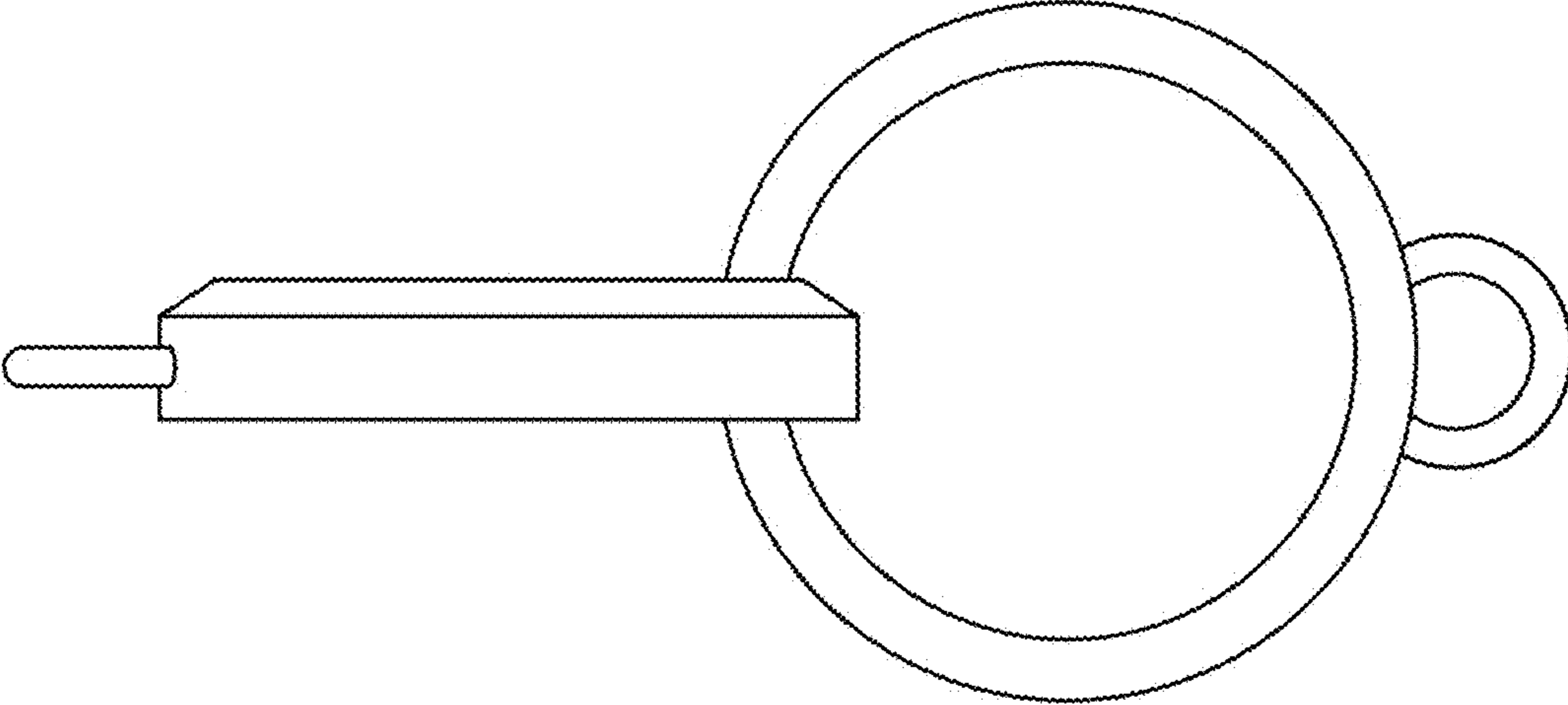
2.3



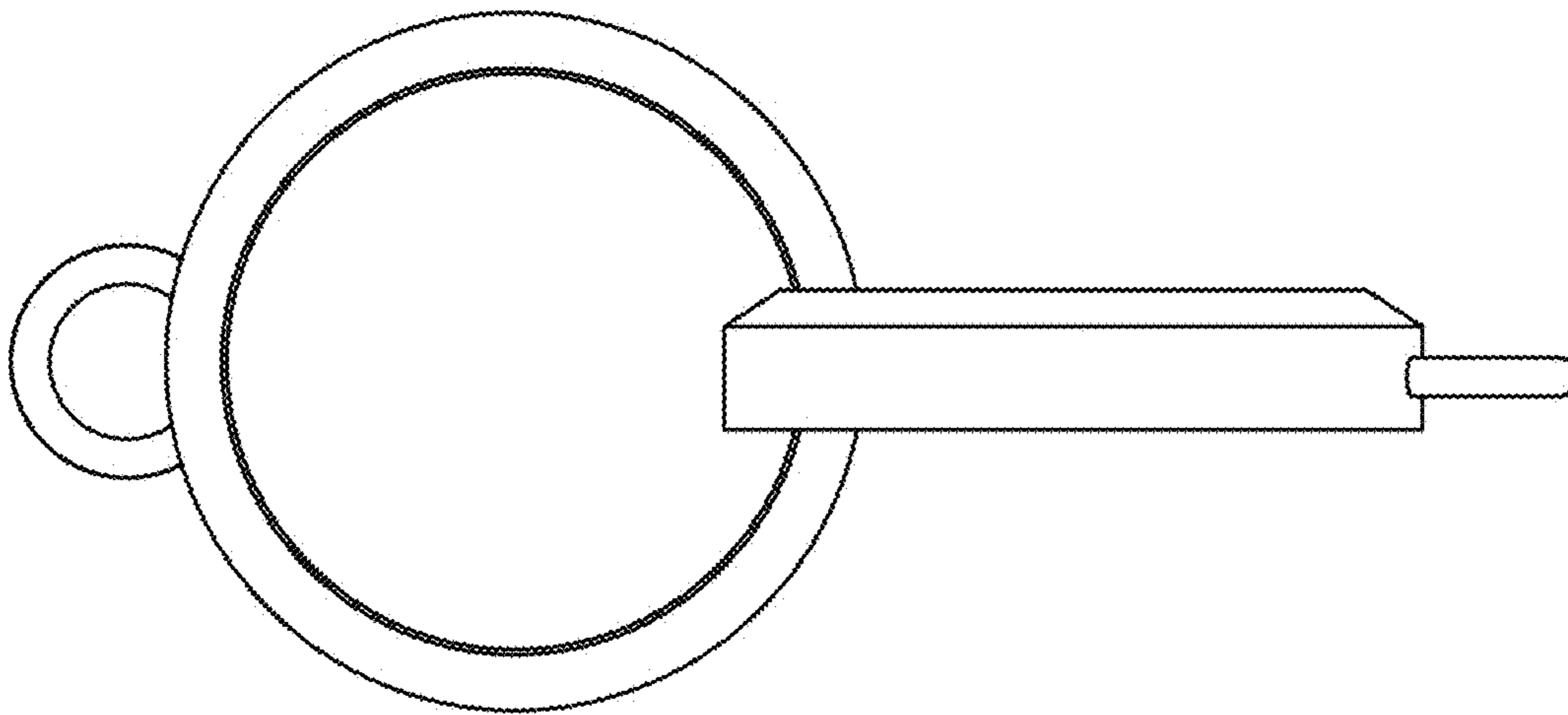
2.4



2.5



2.6



2.7

