



US00D980738S

(12) **United States Design Patent**  
**Zhang**

(10) **Patent No.:** **US D980,738 S**

(45) **Date of Patent:** **\*\* Mar. 14, 2023**

(54) **WATCHBAND**

(71) Applicant: **Shenzhen Xianyang E-Commerce Co., Ltd.**, Shenzhen (CN)

(72) Inventor: **Jianlan Zhang**, Shenzhen (CN)

(73) Assignee: **Shenzhen Xianyang E-Commerce Co., Ltd.**, Shenzhen (CN)

(\*\*) Term: **15 Years**

(21) Appl. No.: **29/854,515**

(22) Filed: **Sep. 26, 2022**

(51) **LOC (14) Cl.** ..... **11-01**

(52) **U.S. Cl.**  
USPC ..... **D11/6**

(58) **Field of Classification Search**  
USPC ..... D11/1-25, 86, 93, 94; D10/30-39, 70,  
D10/46; D24/186, 167; D14/344;  
D2/627, 635

CPC .... G04B 37/1486; G04B 37/16; G04B 37/18;  
A44C 5/14; A44C 5/0053; A44C 5/0069;  
A44C 5/0076; A44C 5/00; A44C 5/0007;  
A44C 5/0015; A44C 5/0023; A44C  
5/003; A44C 5/0061; A44C 5/12; A44C  
5/147; A44C 5/18; A44C 5/185

See application file for complete search history.

(56) **References Cited**

**U.S. PATENT DOCUMENTS**

D76,139 S \* 8/1928 Kinsley ..... D11/3  
D157,342 S \* 2/1950 Chernow ..... D11/15  
D175,114 S \* 7/1955 Katz ..... D11/10  
D304,430 S \* 11/1989 Bulgari ..... D11/6  
D305,513 S \* 1/1990 Bulgari ..... D11/93  
D349,460 S \* 8/1994 Kobs ..... D10/39

D469,712 S \* 2/2003 Valentini ..... D11/6  
D668,172 S \* 10/2012 Gaspard ..... D11/6  
D726,058 S \* 4/2015 Caprai ..... D11/14  
D780,002 S \* 2/2017 Verdeille ..... D11/6  
D793,894 S \* 8/2017 Schwaninger ..... D11/6  
D817,213 S \* 5/2018 Qin ..... D11/11  
D828,774 S \* 9/2018 Qin ..... D11/11  
D828,776 S \* 9/2018 Qin ..... D11/11  
D842,161 S \* 3/2019 Galli ..... D11/16  
D961,437 S 8/2022 Tian  
D963,505 S 9/2022 Ke

**OTHER PUBLICATIONS**

[Online] <https://www.totalwatchrepair.com/products/seiko-dual-tone-stainless-steel-20mm-mens-kinetic-butterfly-clasp-watch-bracelet-2?variant=18092569411>. Retrieved Dec. 3, 2022.\*

\* cited by examiner

*Primary Examiner* — Melanie Pellegrini  
(74) *Attorney, Agent, or Firm* — ScienBiziP, P.C.

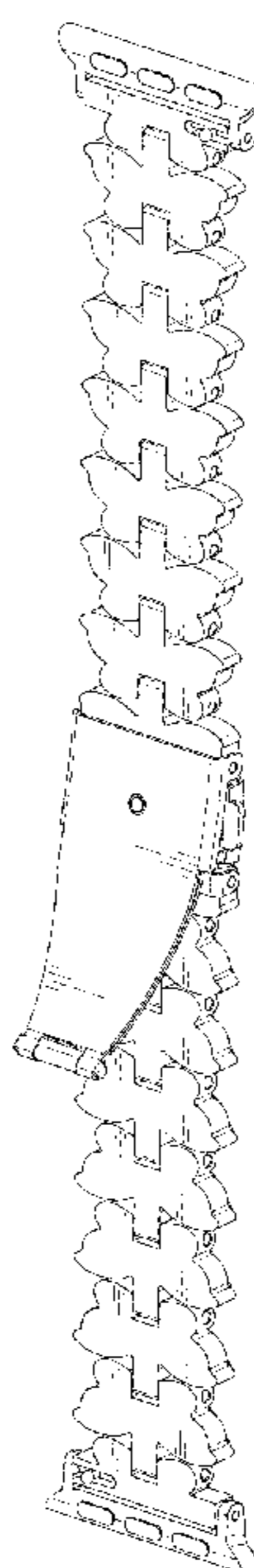
(57) **CLAIM**

The ornamental design for a watchband, as shown and described.

**DESCRIPTION**

FIG. 1 is a front, right and top perspective view of a watchband, showing my design.  
FIG. 2 is a rear, left and bottom perspective view thereof.  
FIG. 3 is a front elevation view thereof.  
FIG. 4 is a rear elevation view thereof.  
FIG. 5 is a left side elevation view thereof.  
FIG. 6 is a right side elevation view thereof.  
FIG. 7 is an enlarged top plan view thereof; and,  
FIG. 8 is an enlarged bottom plan view thereof.

**1 Claim, 8 Drawing Sheets**



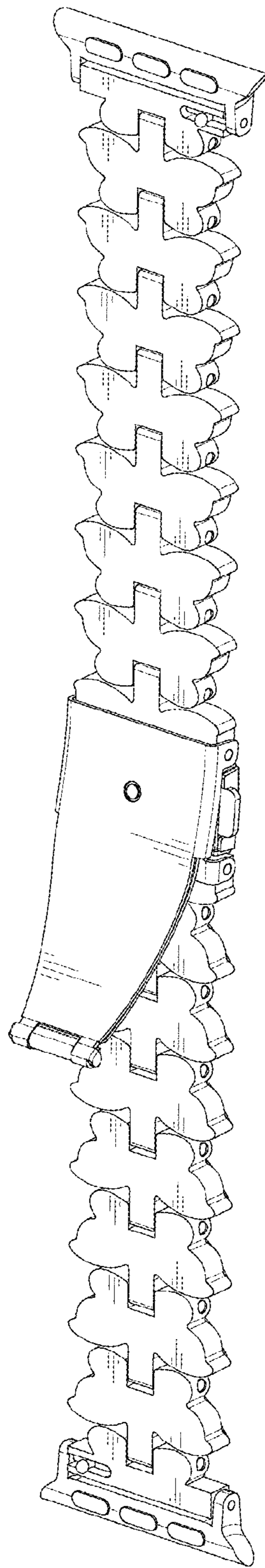


FIG. 1

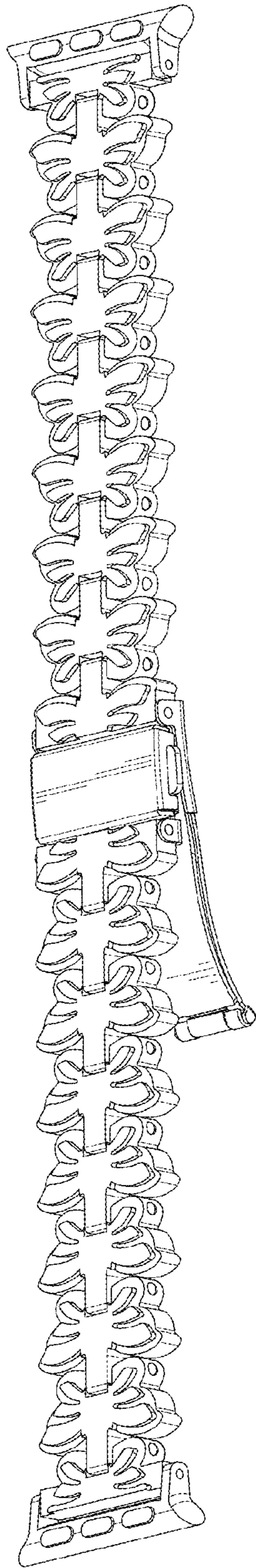


FIG. 2

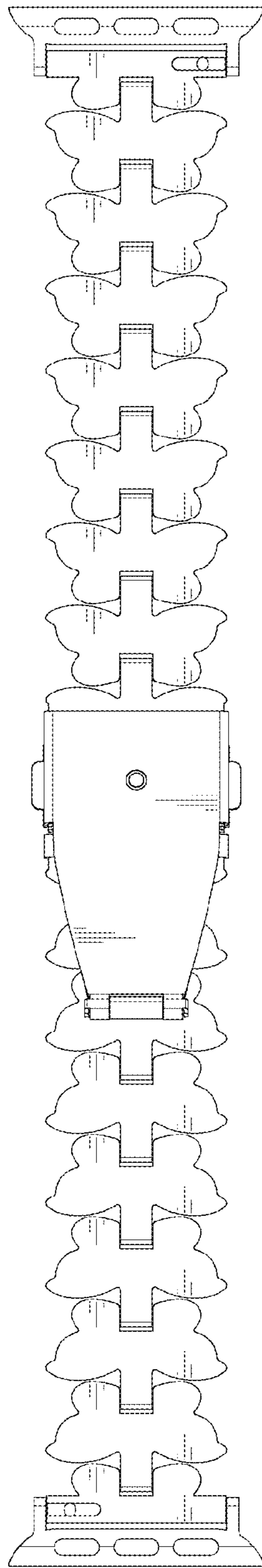


FIG. 3

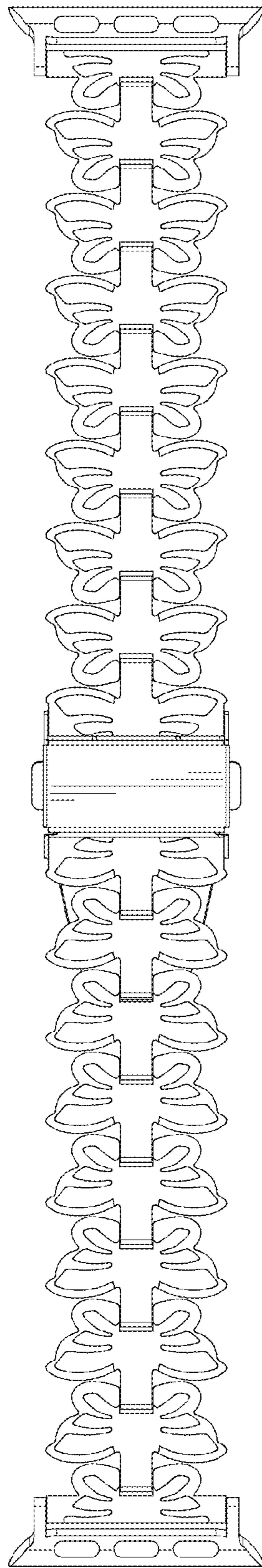


FIG. 4

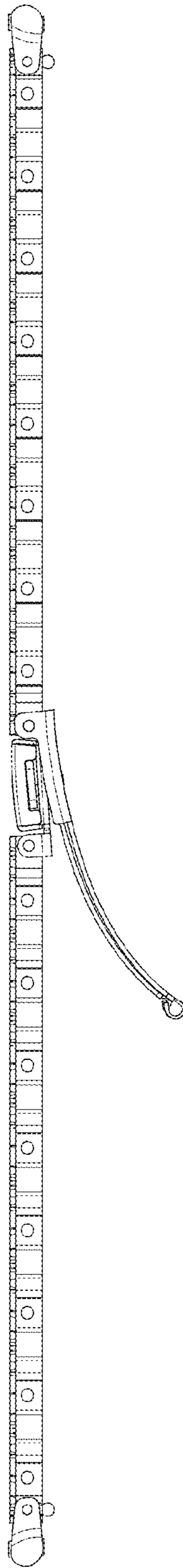


FIG. 5

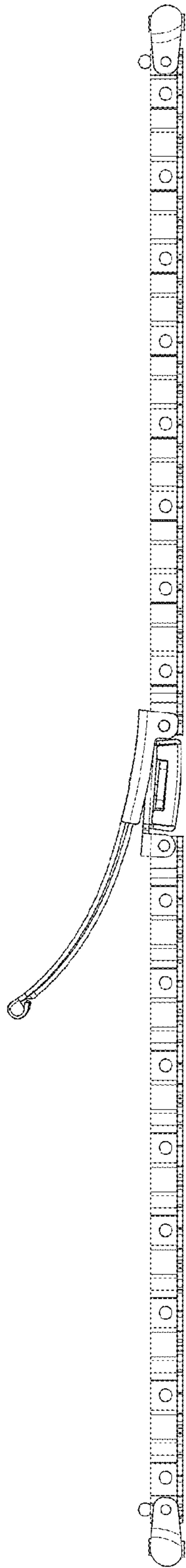


FIG. 6

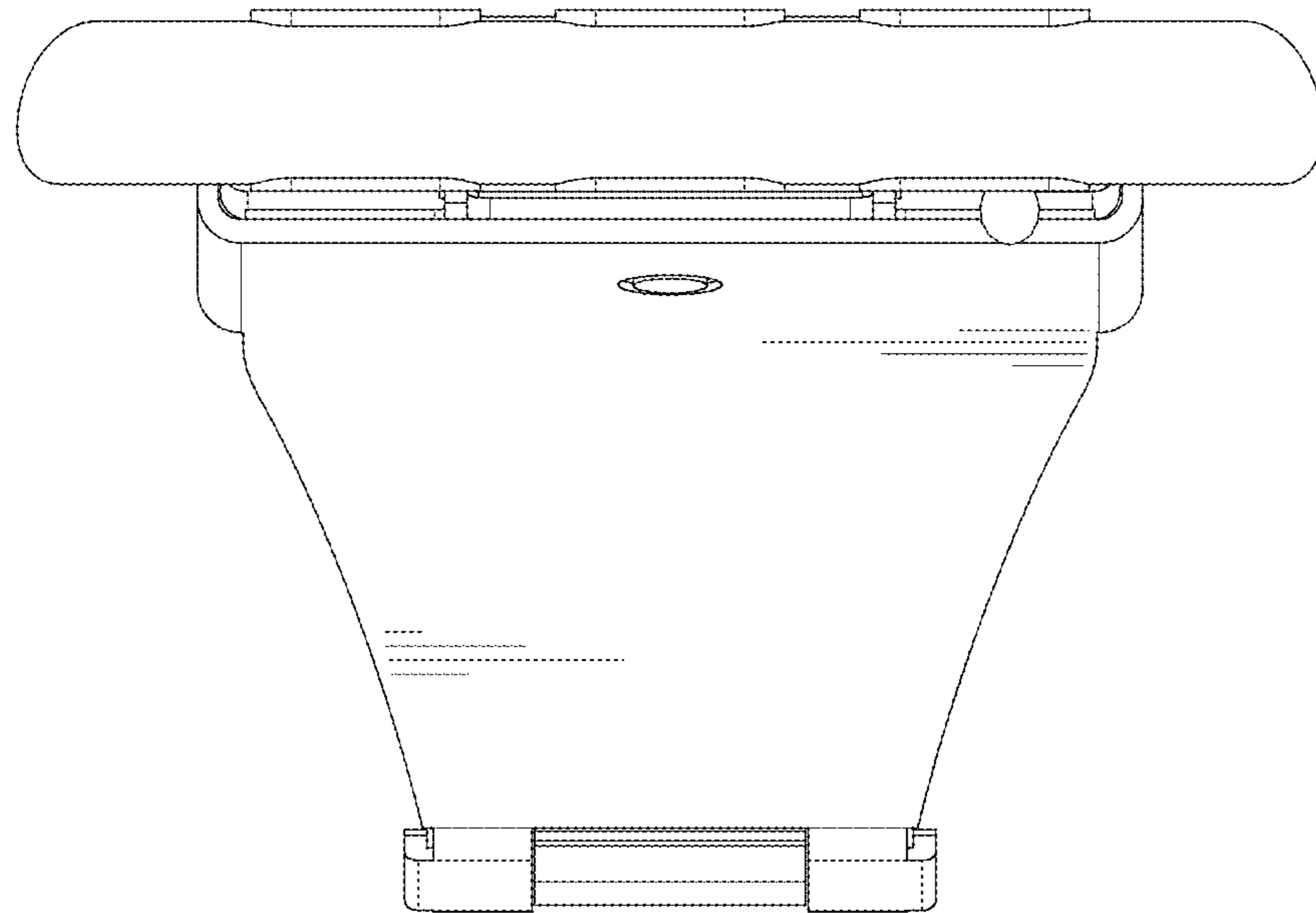


FIG. 7



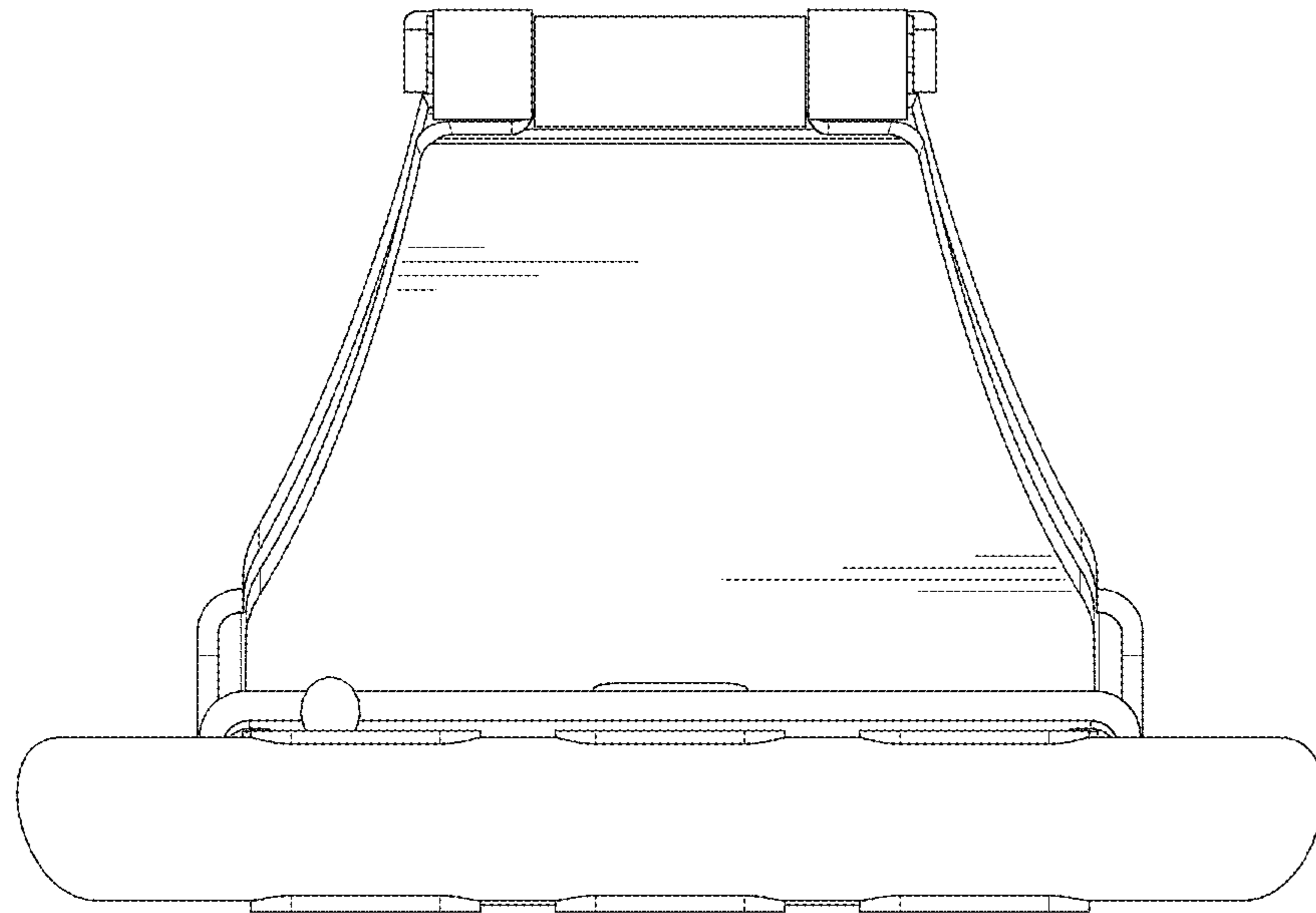


FIG. 8