



US00D980737S

(12) **United States Design Patent** (10) **Patent No.:** **US D980,737 S**  
**Dumas** (45) **Date of Patent:** **\*\* Mar. 14, 2023**

(54) **BRACELET**

(71) Applicant: **HERMES SELLIER (Société par actions simplifiée)**, Paris (FR)

(72) Inventor: **Pierre-Alexis Dumas**, Paris (FR)

(\*\*) Term: **15 Years**

(21) Appl. No.: **35/513,392**

(22) Filed: **Jul. 20, 2021**

(80) **Hague Agreement Data**

Int. Filing Date: **Jul. 20, 2021**

Int. Reg. No.: **DM/215673**

Int. Reg. Date: **Jul. 20, 2021**

Int. Reg. Pub. Date: **Jan. 21, 2022**

(51) **LOC (14) Cl.** ..... **11-01**

(52) **U.S. Cl.**  
USPC ..... **D11/5**

(58) **Field of Classification Search**

USPC ..... D11/1-39

CPC .. A44C 1/00; A44C 3/00; A44C 3/001; A44C 3/002; A44C 3/004; A44C 3/005; A44C 5/00; A44C 5/0007; A44C 5/0015; A44C 5/003; A44C 5/0053; A44C 5/0061; A44C 5/0069; A44C 5/0076; A44C 15/00; A44C 15/005; A44C 15/0055; A44C 15/006; A44C 15/0065; A44C 15/007; A44C 15/0075; A44C 9/00; A44C 9/0007; A44C 9/0015; A44C 9/0023; A44C 9/003; A44C 9/0038; A44C 9/0046; A44C 9/0053; A44C 9/0061; A44C 9/0069; A44C 9/0076; A44C 9/0084; A44C 9/0092

See application file for complete search history.

(56) **References Cited**

U.S. PATENT DOCUMENTS

D110,092 S \* 6/1938 Kestenman ..... D11/3  
D481,325 S \* 10/2003 Hill ..... D11/3

D489,282 S \* 5/2004 Hill ..... D11/3  
D552,003 S \* 10/2007 Lecut ..... D11/3  
D573,505 S \* 7/2008 Hardy ..... D11/4  
D585,180 S \* 1/2009 Mouquet ..... D2/627  
D690,219 S \* 9/2013 Mouquet ..... D11/5  
D740,152 S \* 10/2015 Vaughan ..... D11/3  
D779,998 S \* 2/2017 Rosenbaum ..... D11/5  
D808,290 S \* 1/2018 Hardy ..... D11/3  
D850,058 S \* 6/2019 Mouquet ..... D2/634  
D862,276 S \* 10/2019 Herz ..... D11/3

(Continued)

OTHER PUBLICATIONS

[Online] "Heremes Leather Bracelet . . ." <https://www.1stdibs.com/buy/hermes-leather-bracelet/>. Retrieved Nov. 19, 2022.\*

Primary Examiner — Melanie Pellegrini

(57) **CLAIM**

The ornamental design for a bracelet, as shown and described.

**DESCRIPTION**

1. Bracelet

1.1 : Perspective

1.2 : Front

1.3 : Back

1.4 : Right

1.5 : Left

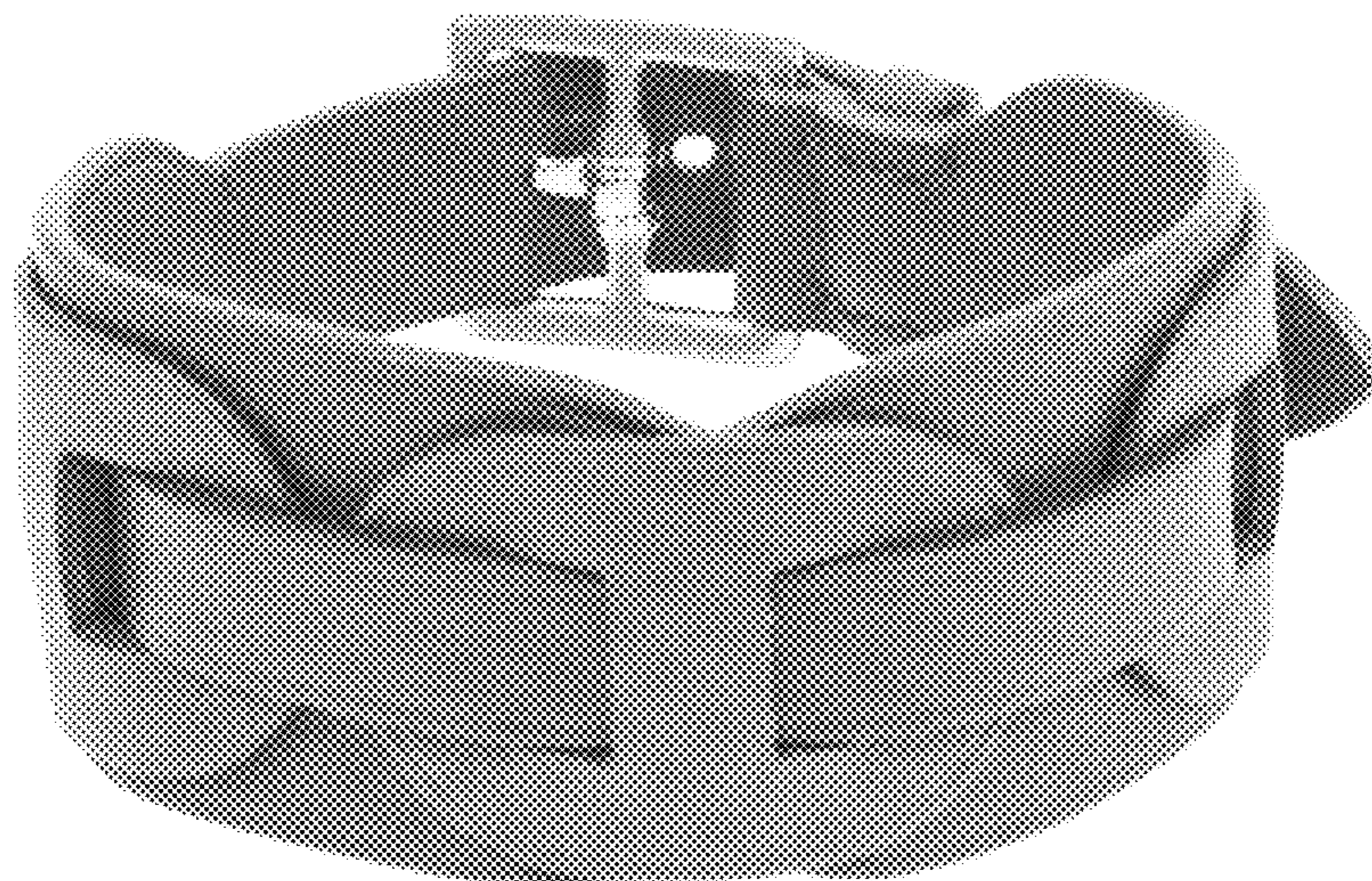
1.6 : Top

1.7 : Bottom

1.8 : Top view of the bracelet open

The bracelet comprises a band, the ends of which are tapered and interconnected by a pin buckle, as well as a plurality of flexible decorative elements in the form of anchor chain links; the decorative elements are placed next to the outer surface of the band and held in position by a strap, the ends of the strap being attached to those of the band, and the strap extending partly over the ends of the decorative elements and partly on the inside of the band after passing through the slits in the latter.

**1 Claim, 8 Drawing Sheets**



(56)

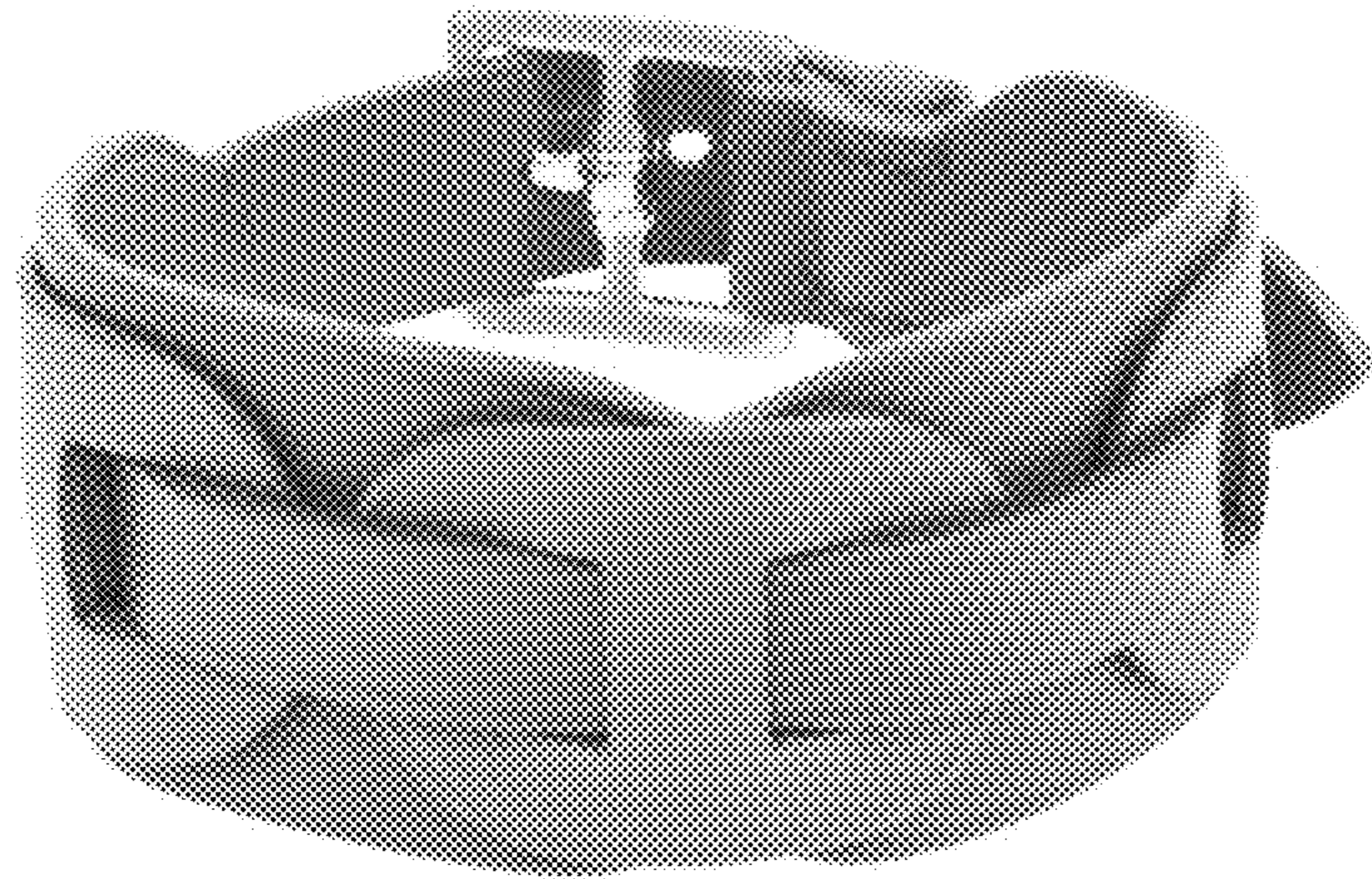
**References Cited**

U.S. PATENT DOCUMENTS

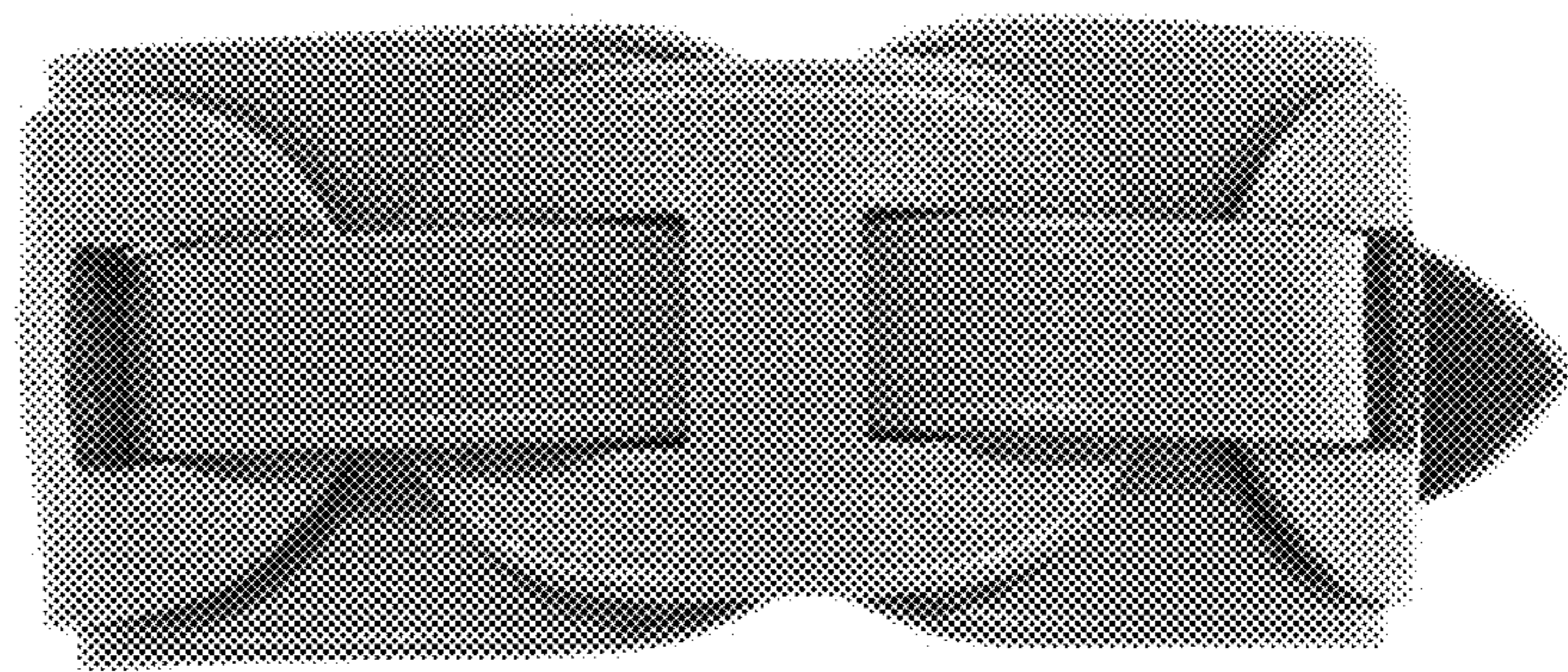
D909,229 S \* 2/2021 Williams ..... D11/4  
D939,995 S \* 1/2022 Kim ..... D11/3

\* cited by examiner

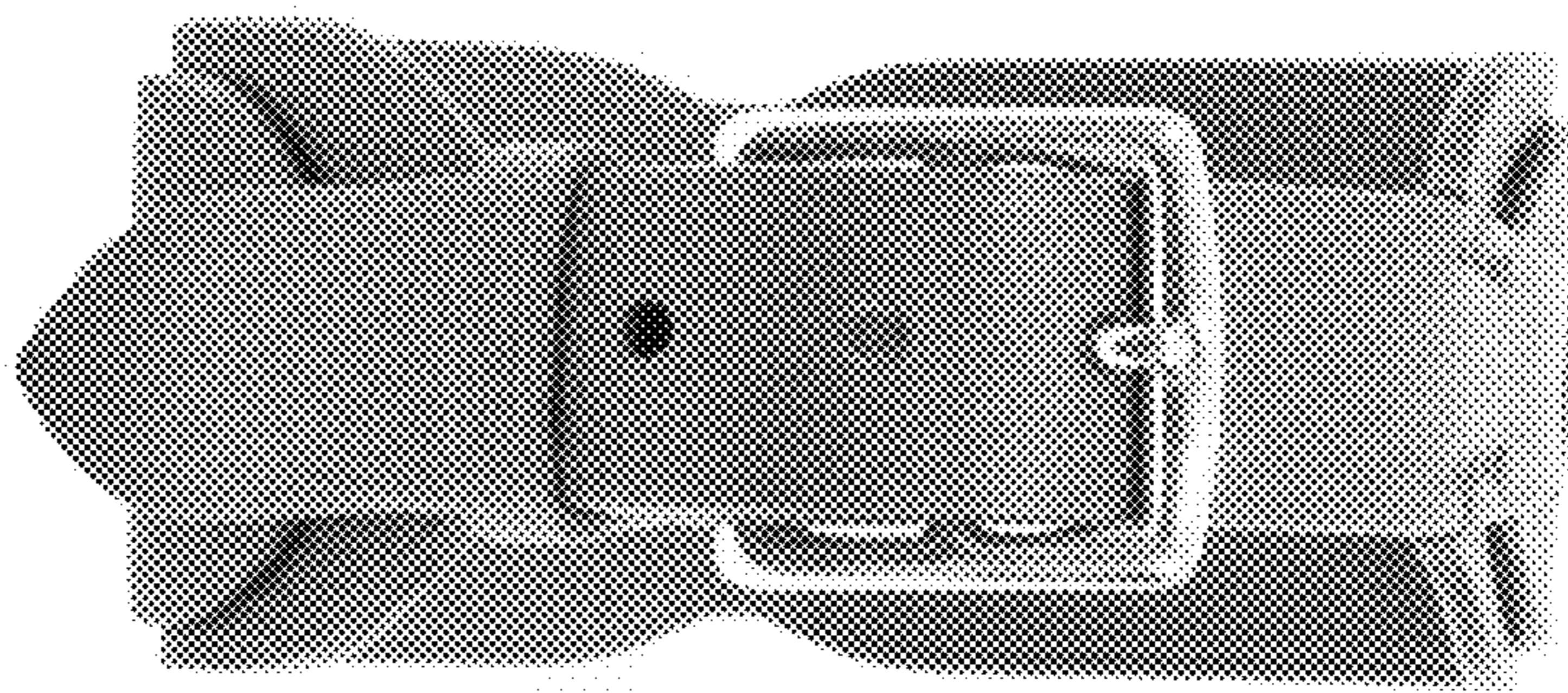
1.1



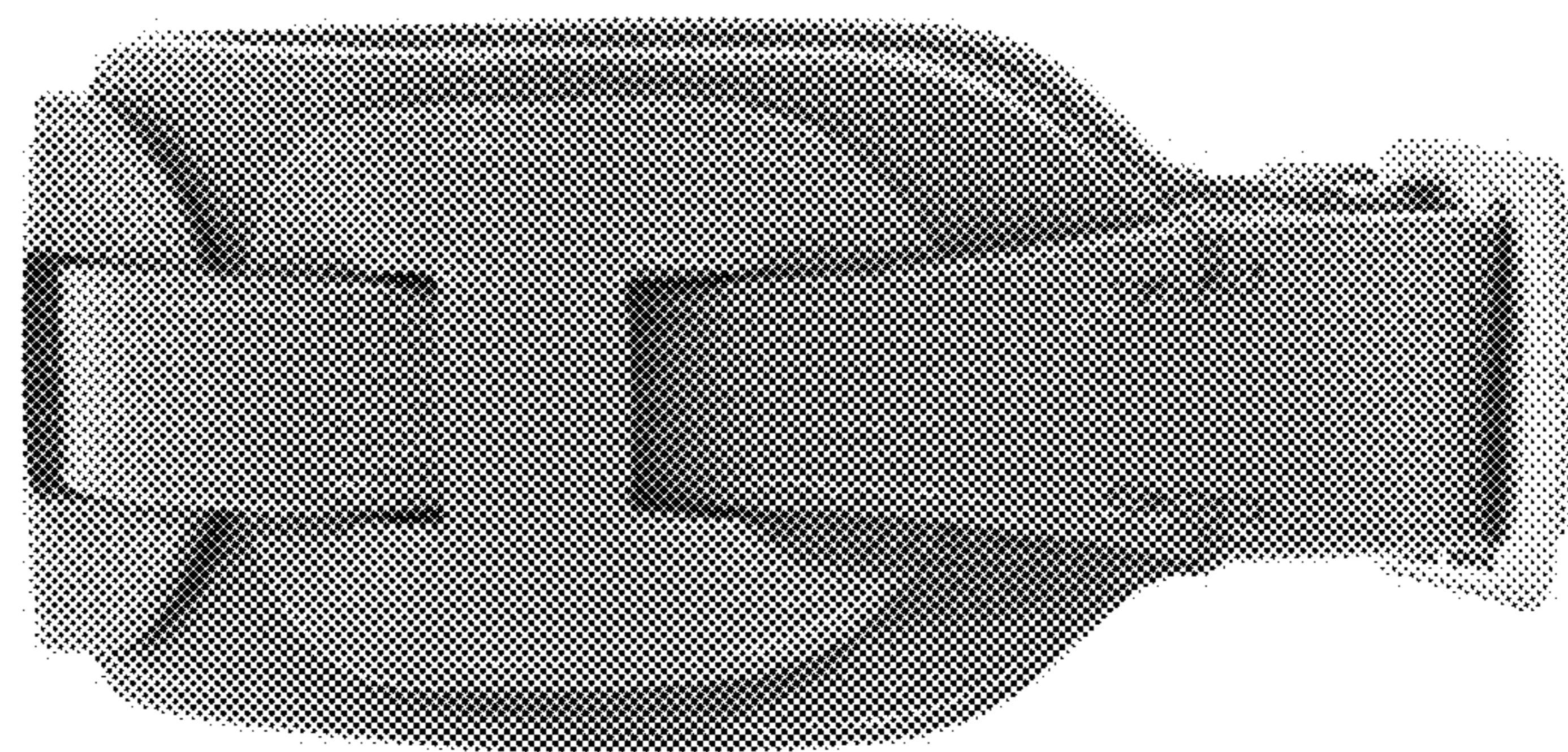
1.2



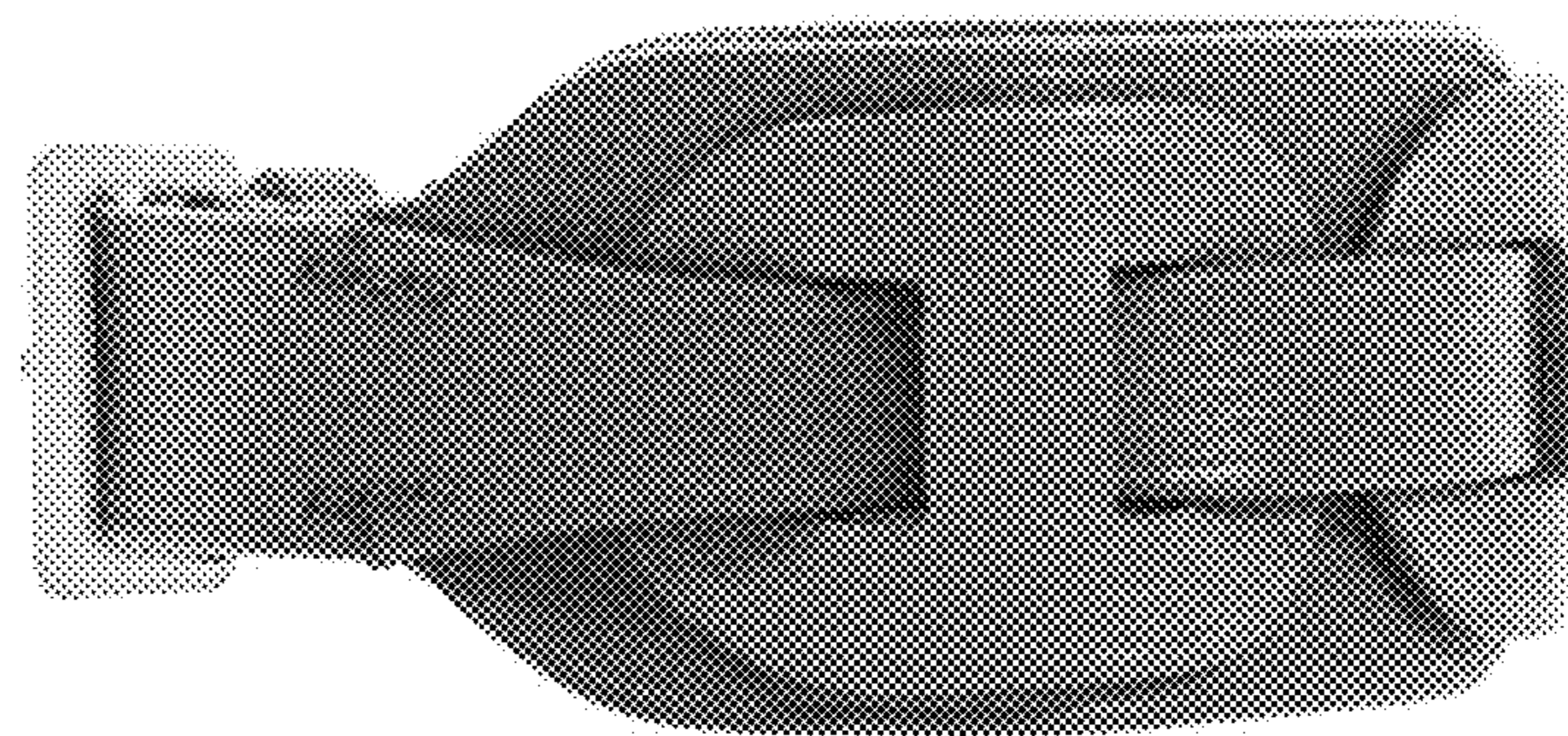
1.3



1.4



1.5



1.6





1.7



1.8

