



US00D980736S

(12) **United States Design Patent**
Teng

(10) **Patent No.:** **US D980,736 S**

(45) **Date of Patent:** **** Mar. 14, 2023**

(54) **DOORBELL BRACKET**

(71) Applicant: **Yan Teng**, Sichuan (CN)

(72) Inventor: **Yan Teng**, Sichuan (CN)

(**) Term: **15 Years**

(21) Appl. No.: **29/851,102**

(22) Filed: **Aug. 25, 2022**

(51) **LOC (14) Cl.** **10-06**

(52) **U.S. Cl.**
USPC **D10/121**

(58) **Field of Classification Search**
USPC D10/119.1–121, 113.4–114.3, 114.5,
D10/114.8, 109.1, 120–121, 111
CPC Y02B 20/40; H05B 47/19; H05K 5/0204
See application file for complete search history.

(56) **References Cited**

U.S. PATENT DOCUMENTS

5,275,366	A *	1/1994	Simmons	F21S 8/033 362/432
5,292,092	A *	3/1994	Curtis	H04R 1/025 455/350
5,549,266	A *	8/1996	Mitchell	H02G 3/14 362/147
5,659,286	A *	8/1997	Lin	G10K 1/26 340/392.4
5,668,527	A *	9/1997	Lin	G10K 1/26 340/392.4
D427,931	S *	7/2000	Hutton	D23/269
D534,905	S *	1/2007	Sergi	D8/354
D703,083	S *	4/2014	Saikawa	D8/353
D850,965	S *	6/2019	Laurans	D10/121
D850,966	S *	6/2019	Laurans	D10/121
D852,130	S *	6/2019	Siminoff	D13/102
D856,839	S *	8/2019	Siminoff	D10/121
10,501,947	B2 *	12/2019	Bunch	E04F 21/22
D873,691	S *	1/2020	Goltche	D10/114.1
D874,965	S *	2/2020	Siminoff	D10/121
D874,966	S *	2/2020	Siminoff	D10/121

10,551,014	B2 *	2/2020	Selevan	H02J 7/00034
10,887,958	B1 *	1/2021	Fu	G08B 3/00
D915,920	S *	4/2021	Deyaf	D10/114.1
D936,564	S *	11/2021	Siminoff	D13/102
D946,443	S *	3/2022	Russo	D10/121
11,336,005	B1 *	5/2022	Chen	H01Q 5/378
D953,909	S	6/2022	Pan		
11,408,186	B1 *	8/2022	Bunch	E04F 21/22
D963,503	S *	9/2022	Kousik	D24/186
D967,726	S *	10/2022	Jeong	D10/118.2
D968,256	S *	11/2022	Wang	D10/121
D970,376	S *	11/2022	Zhou	D10/121

(Continued)

OTHER PUBLICATIONS

Auka Vinyl Sliding Angle Adjustment Mount Compatible with Video Doorbell, Amazon first available date Oct. 13, 2022, (online)
URL: https://www.amazon.com/AUKCA-Adjustment-Compatible-Doorbell-Standard/dp/B0BJ2QHYKH/ref=asc_df_B0BJ2QHYKH/? (Year: 2022).*

Primary Examiner — Nicole C Shiflet
Assistant Examiner — Antoinette Martine Suiter
(74) *Attorney, Agent, or Firm* — Daniel M. Cohn;
Howard M. Cohn

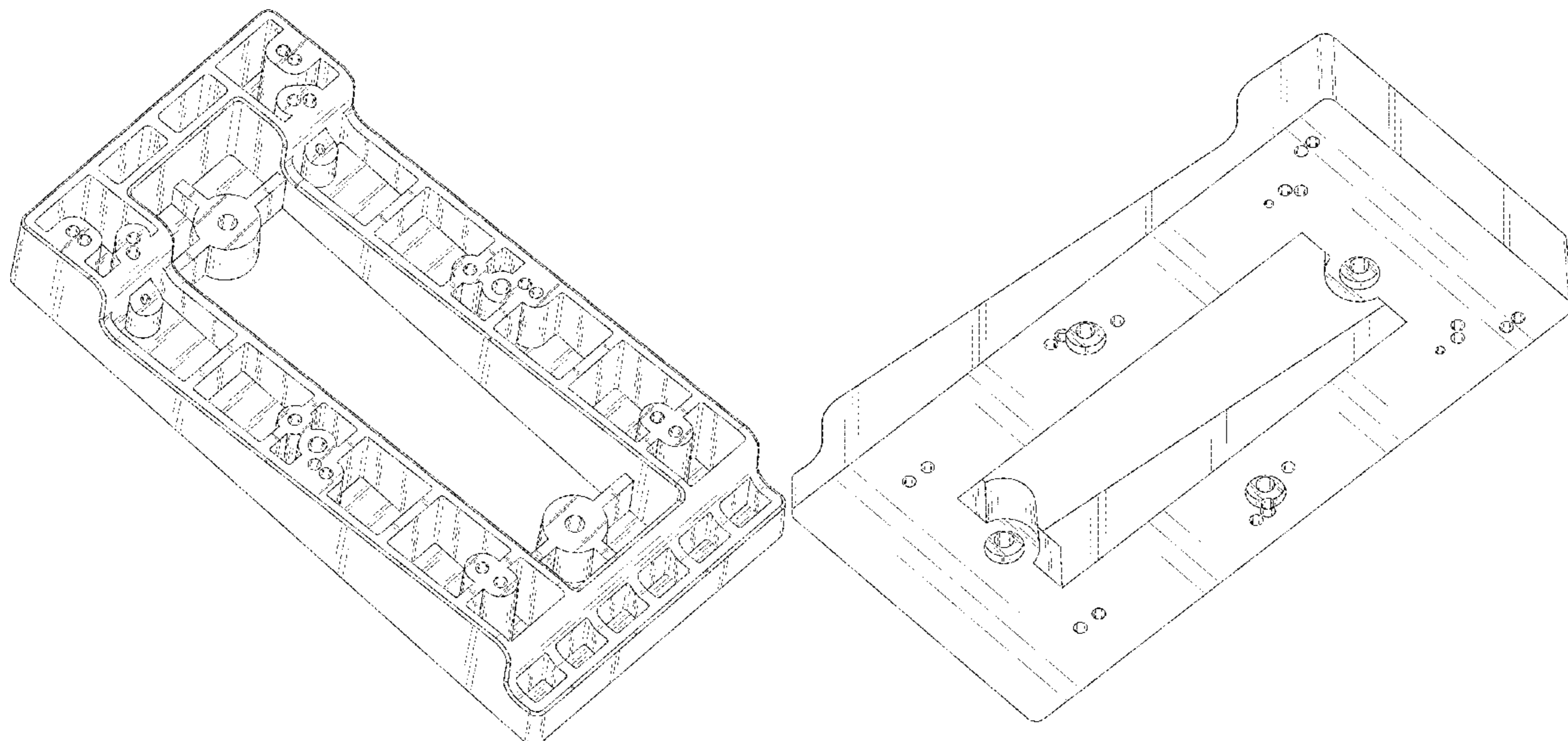
(57) **CLAIM**

The ornamental design for a doorbell bracket, as shown and described.

DESCRIPTION

FIG. 1 is a perspective view showing my new design;
FIG. 2 is another perspective view thereof;
FIG. 3 is a front elevational view thereof;
FIG. 4 is a rear elevational view thereof;
FIG. 5 is a left side elevational view thereof;
FIG. 6 is a right side elevational view thereof;
FIG. 7 is a top plan view thereof; and,
FIG. 8 is a bottom plan view thereof.

1 Claim, 8 Drawing Sheets



(56)

References Cited

U.S. PATENT DOCUMENTS

D971,051 S * 11/2022 Thorne D10/118.2
2008/0236094 A1* 10/2008 Doda E04F 21/0092
52/749.11
2015/0055353 A1* 2/2015 Hutchens F16M 13/02
362/370
2018/0255216 A1* 9/2018 Siminoff H02J 7/35

* cited by examiner

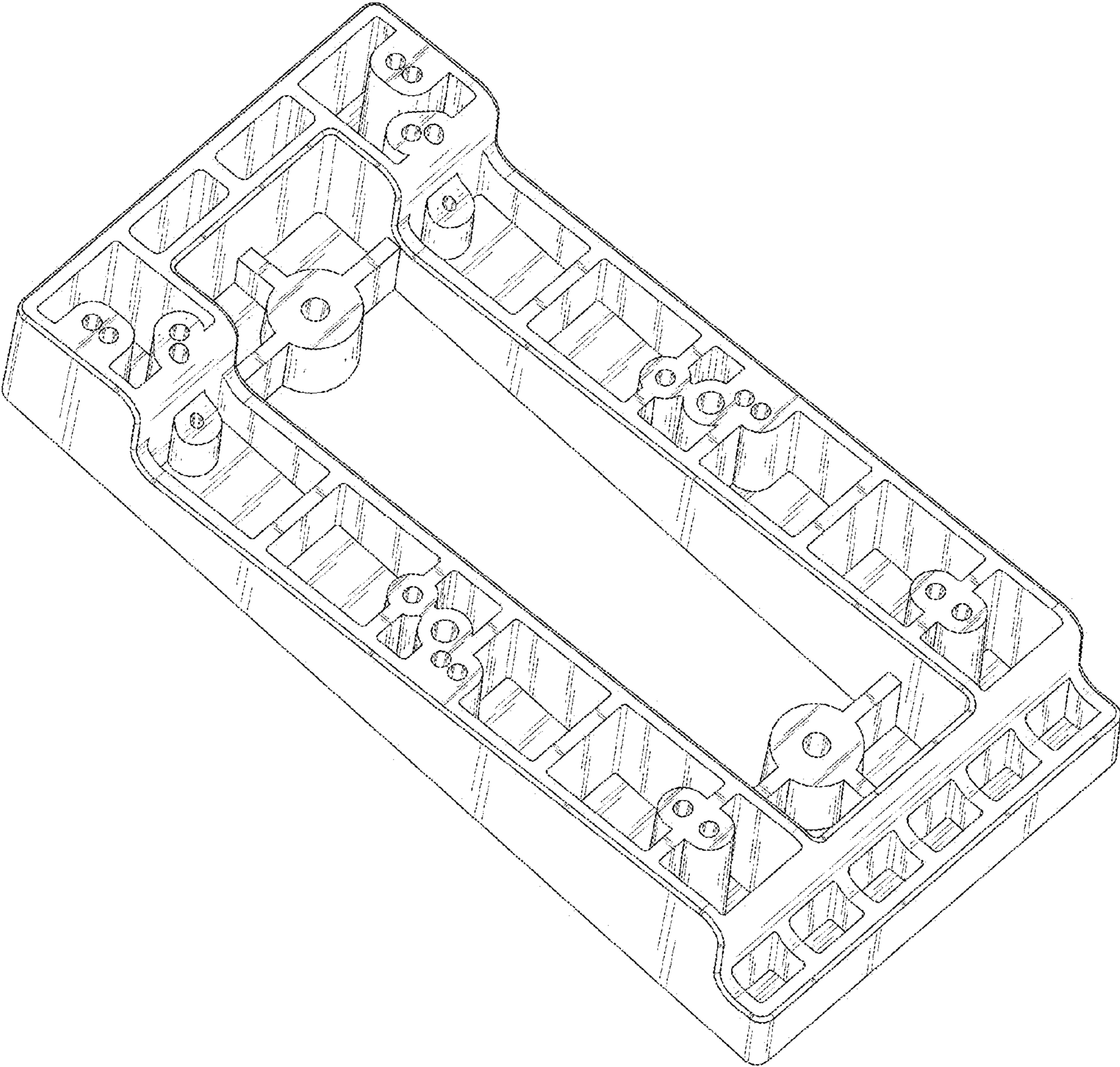


FIG. 1

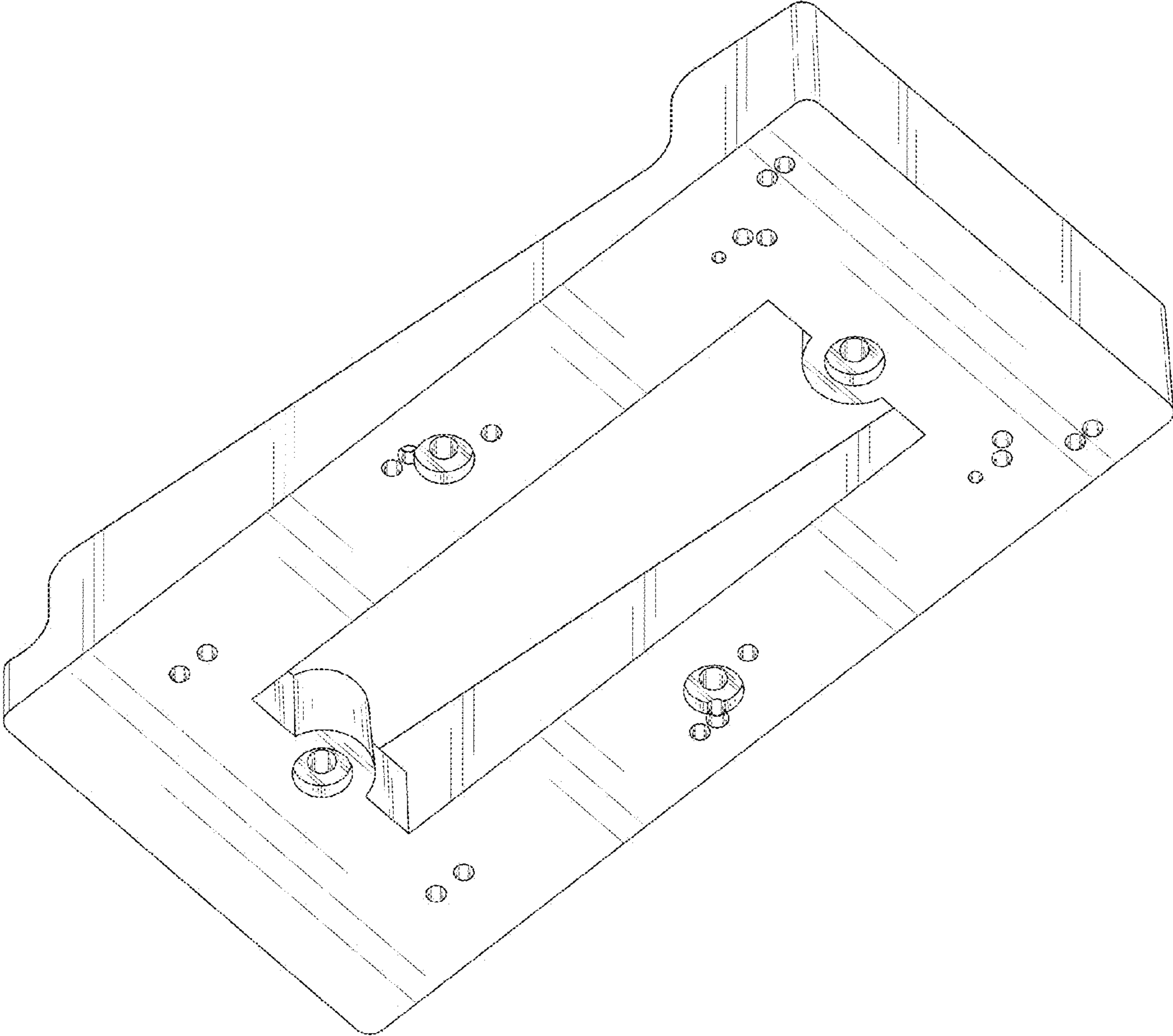


FIG.2

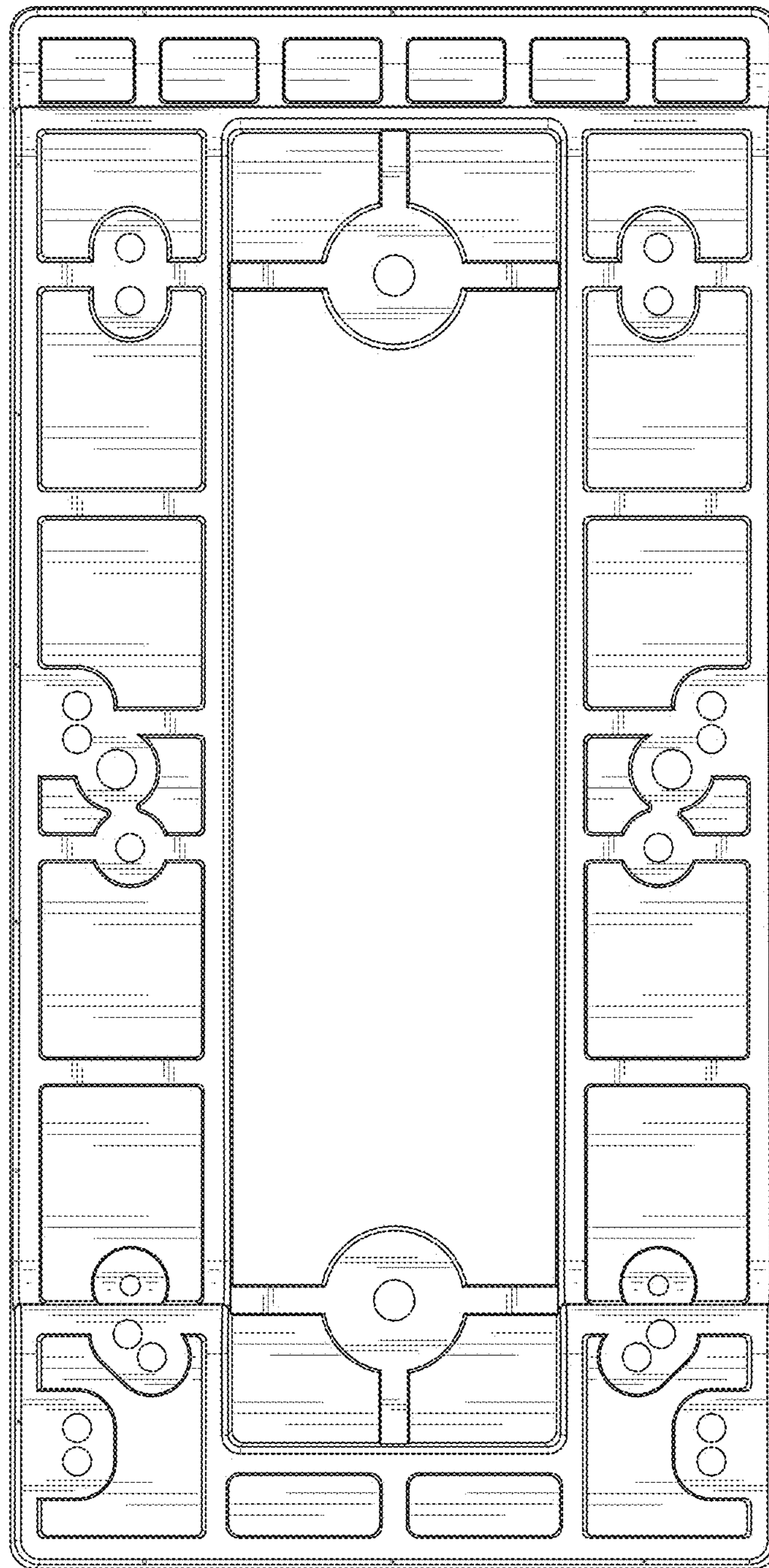


FIG. 3

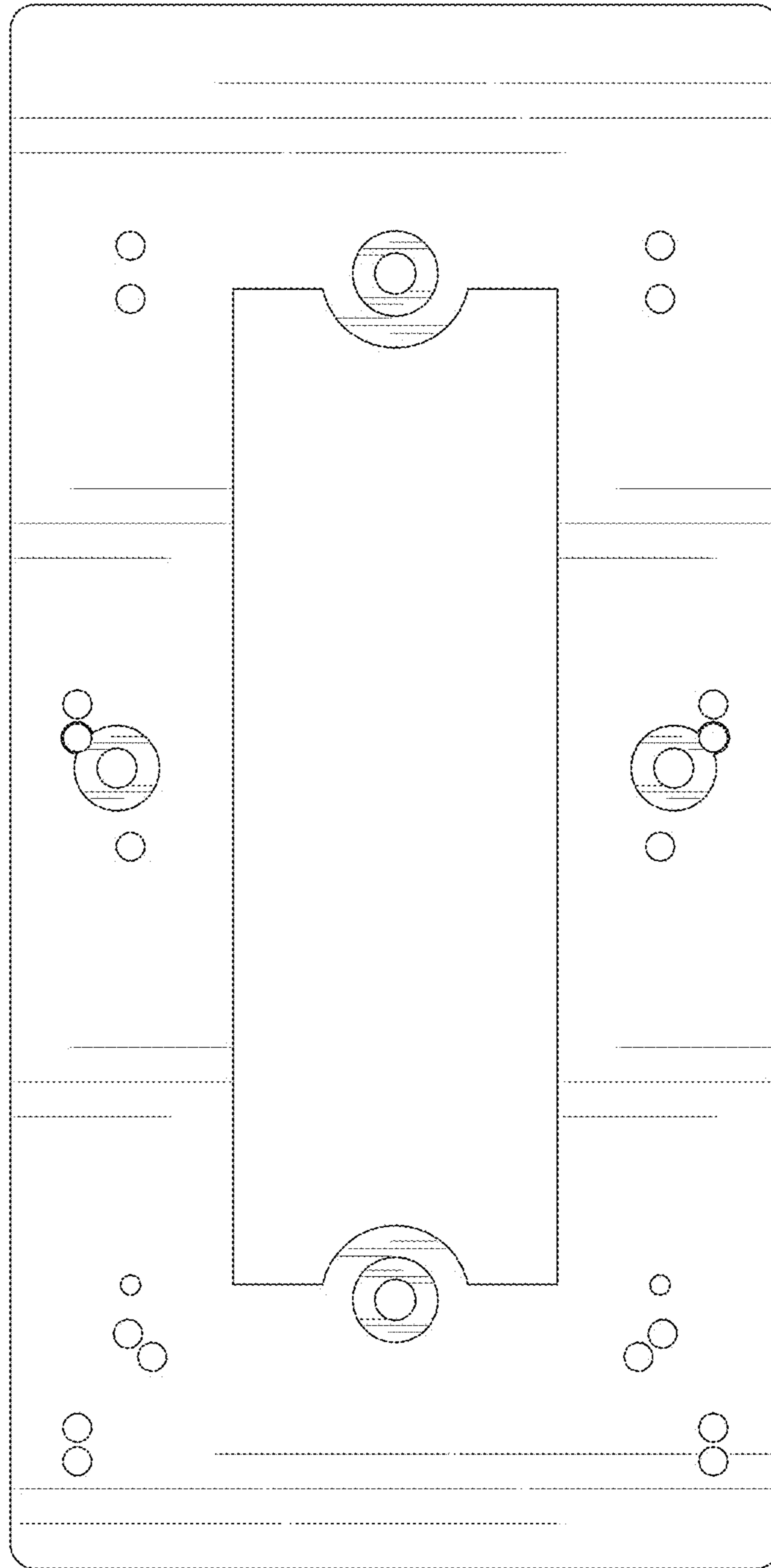


FIG.4

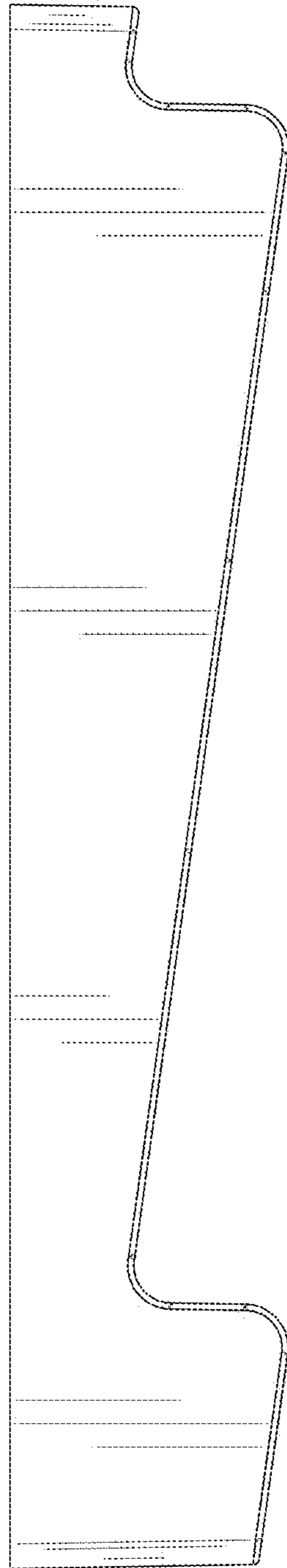


FIG. 5

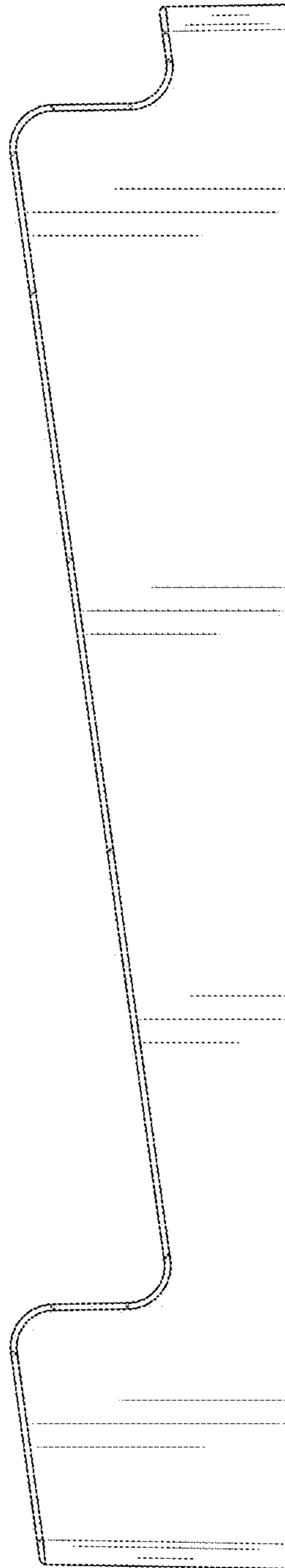


FIG.6

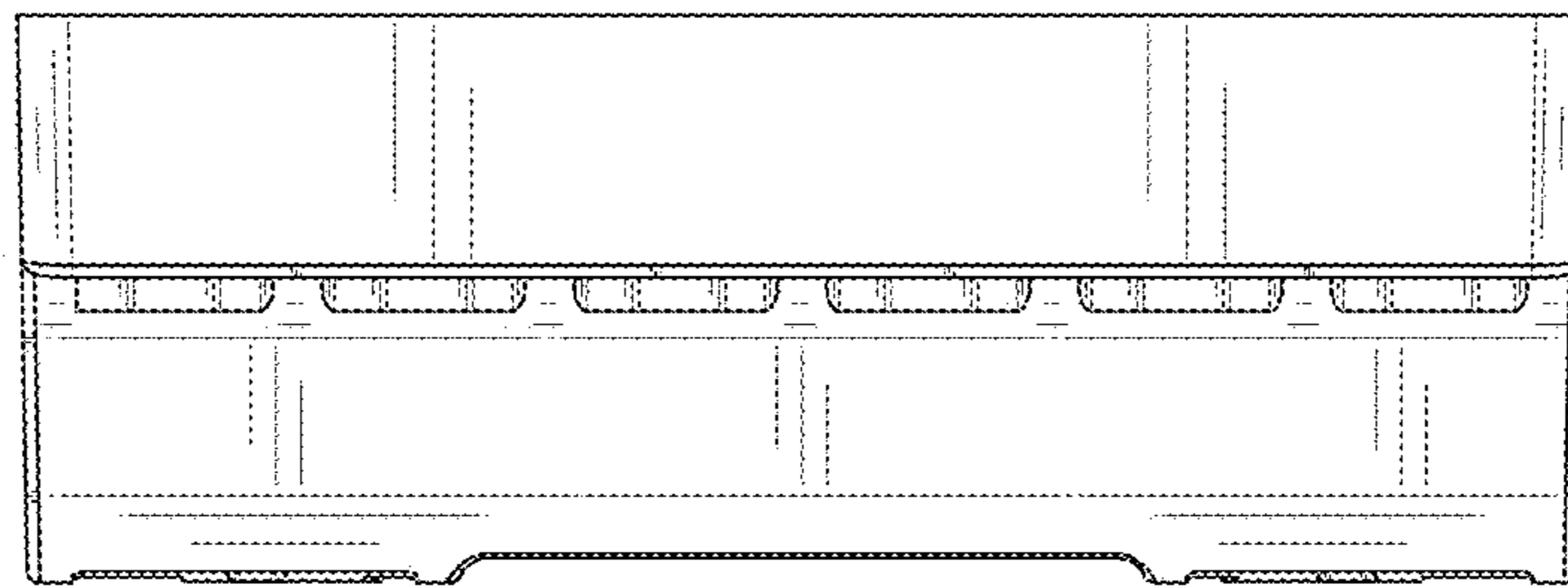


FIG. 7

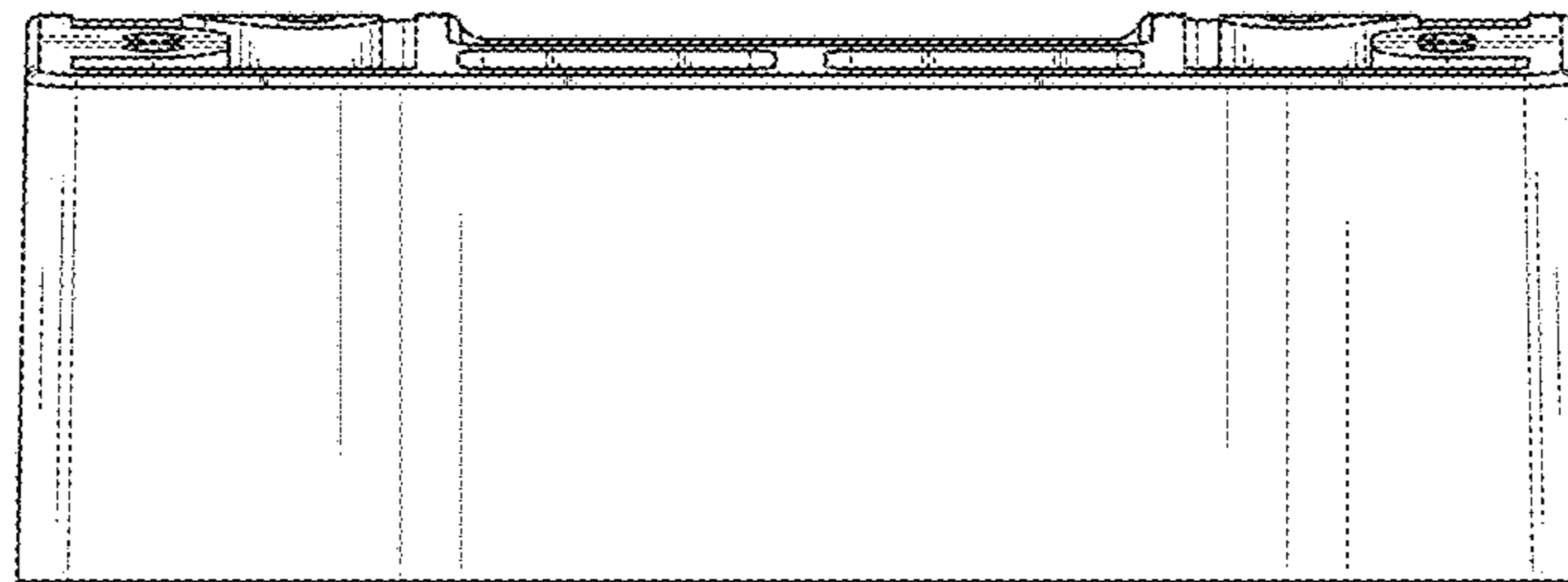


FIG. 8