



US00D980735S

(12) **United States Design Patent**
Burns et al.

(10) **Patent No.:** **US D980,735 S**
(45) **Date of Patent:** **** Mar. 14, 2023**

(54) **VIDEO DOORBELL**

(71) Applicant: **Amazon Technologies, Inc.**, Seattle, WA (US)

(72) Inventors: **Thomas Burns**, Mt. Sinai, NY (US); **Jonathan Howard Biddle**, San Francisco, CA (US); **Paul Douglas Grearson**, Andover, MA (US); **Mark Graziani**, Salem, NH (US); **William Morris**, Wakefield, MA (US)

(73) Assignee: **Amazon Technologies, Inc.**, Seattle, WA (US)

(**) Term: **15 Years**

(21) Appl. No.: **29/809,302**

(22) Filed: **Sep. 27, 2021**

(51) **LOC (14) Cl.** **10-06**

(52) **U.S. Cl.**
USPC **D10/118.2**

(58) **Field of Classification Search**
USPC D10/56, 104.1, 106.6, 116.1, 118, 118.2, D10/120, 121; D14/159; D16/202, 203, D16/208
CPC G08B 3/00; G08B 6/00; G08B 3/1008; H04N 7/186; H04M 11/025; H04M 1/0291

See application file for complete search history.

(56) **References Cited**

U.S. PATENT DOCUMENTS

D765,530 S *	9/2016	Scalisi	D10/118.2
D788,834 S *	6/2017	Bhattacharya	D16/208
D813,700 S *	3/2018	Scalisi	D10/118.2
D817,207 S *	5/2018	Scalisi	D10/118.2
D817,208 S *	5/2018	Ravat	D10/118.2

D842,156 S *	3/2019	Hanna	D10/118.2
D853,265 S *	7/2019	Grearson	D10/118.2
D889,300 S *	7/2020	Siminoff	D10/118.2
D897,878 S *	10/2020	Lian	D10/118.2
D900,659 S *	11/2020	Yu	D10/118.2
D921,511 S *	6/2021	Li	D10/118.2
D923,505 S *	6/2021	Scalisi	D10/118.2
D927,338 S *	8/2021	Smalley	D10/118.2
D939,991 S *	1/2022	Yang	D10/118.2
D947,704 S *	4/2022	Stefans	D10/118.2
D954,583 S *	6/2022	Russo	D10/118.2
D956,604 S *	7/2022	Lian	D10/118.2
D965,457 S *	10/2022	Thorne	D10/118.2
D965,458 S *	10/2022	Thorne	D10/118.2
D966,918 S *	10/2022	Lai	D10/118.2
D966,919 S *	10/2022	Thorne	D10/118.2
2022/0270450 A1 *	8/2022	Murphy	H01H 9/182

* cited by examiner

Primary Examiner — George D. Kirschbaum

Assistant Examiner — Lillian Windham

(74) *Attorney, Agent, or Firm* — Lee & Hayes, P.C.

(57) **CLAIM**

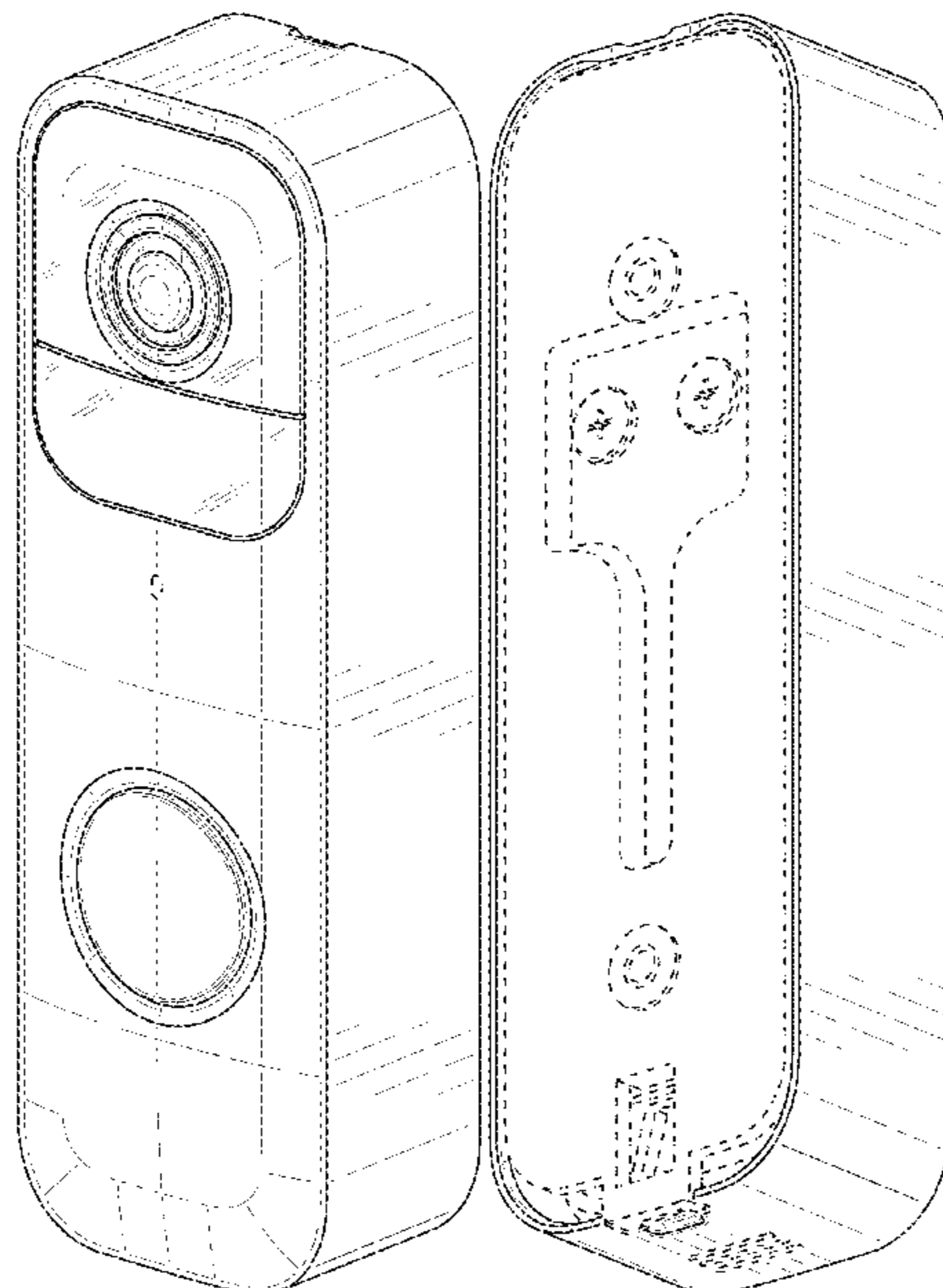
The ornamental design for a video doorbell, as shown and described.

DESCRIPTION

FIG. 1 is a top, front, right-side perspective view of a video doorbell;
FIG. 2 is a bottom, back, left-side perspective view thereof;
FIG. 3 is a front view thereof;
FIG. 4 is a back view thereof;
FIG. 5 is a left-side view thereof;
FIG. 6 is a right-side view thereof;
FIG. 7 is a top view thereof; and,
FIG. 8 is a bottom view thereof.

The dashed broken lines depict portions of the video doorbell that form no part of the claimed design.

1 Claim, 8 Drawing Sheets



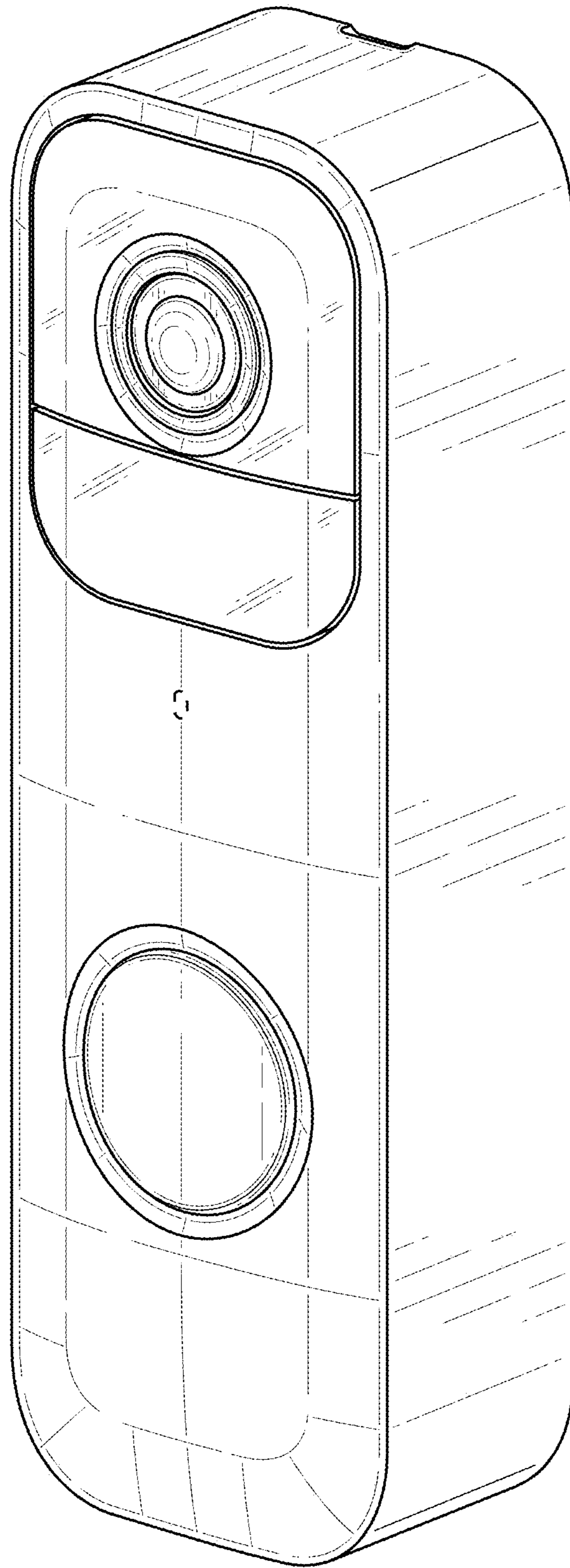


FIG. 1

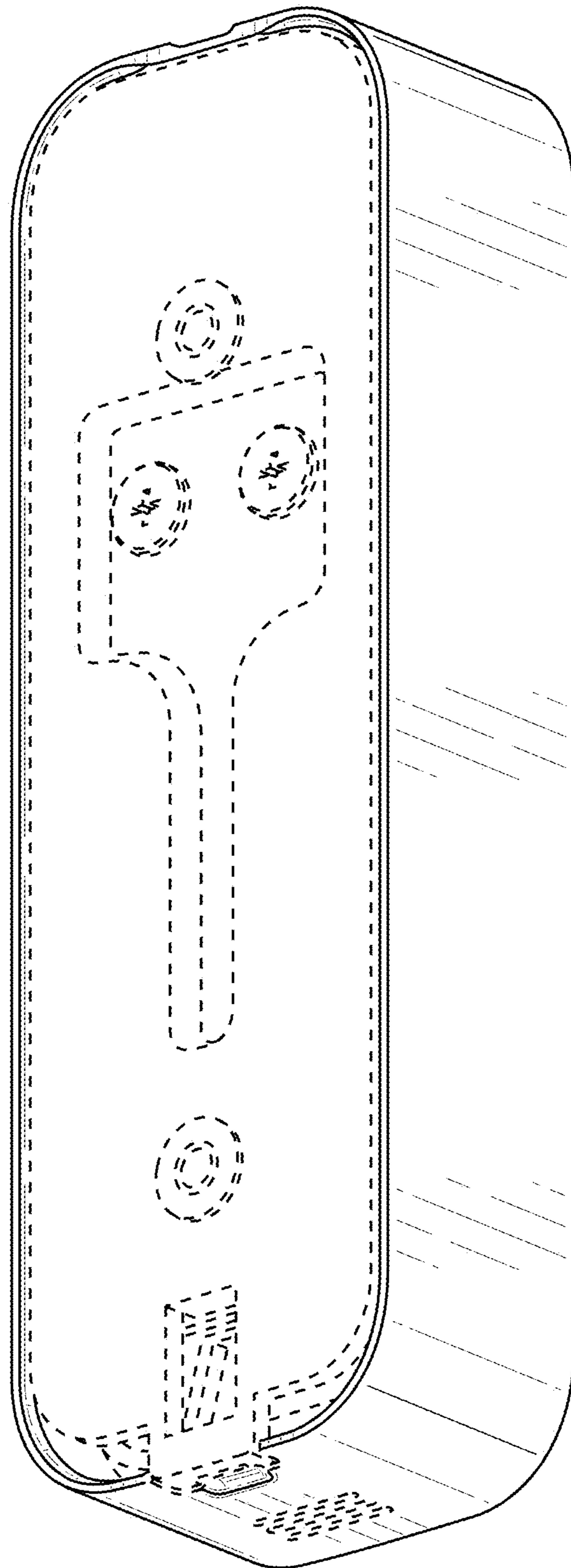


FIG. 2

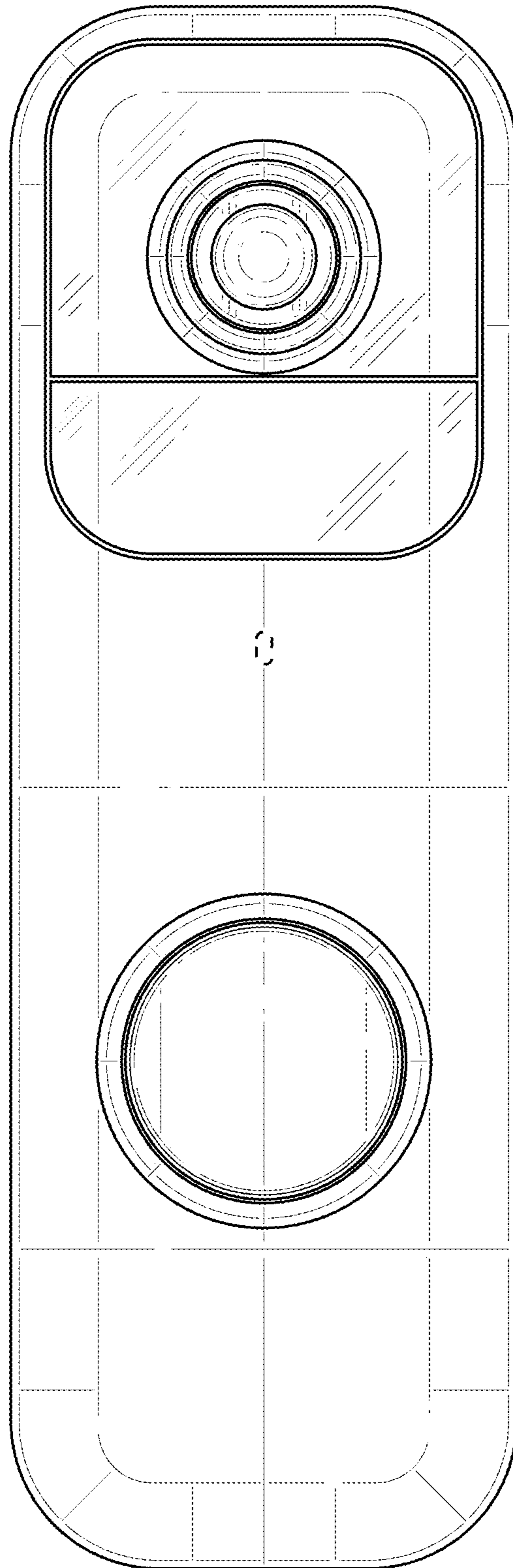


FIG. 3

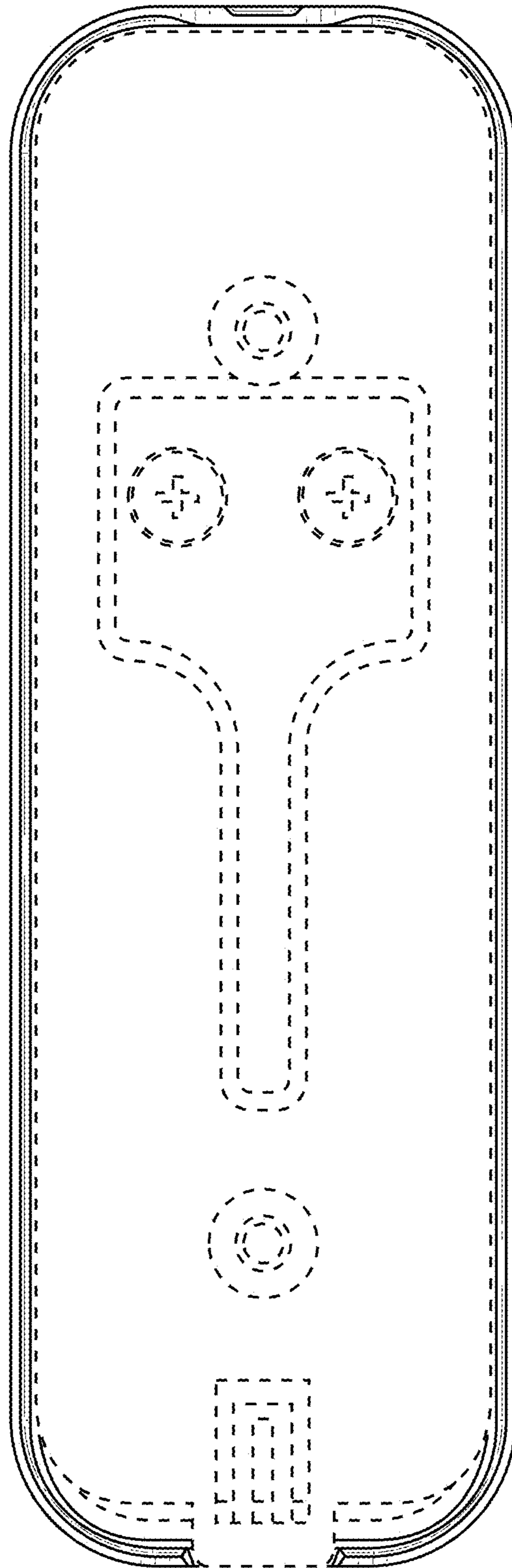


FIG. 4

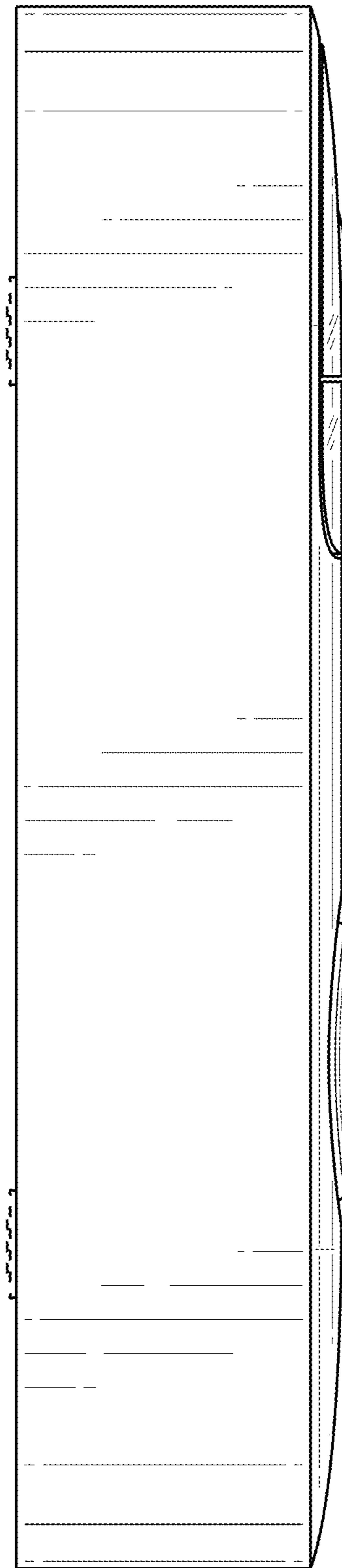


FIG. 5

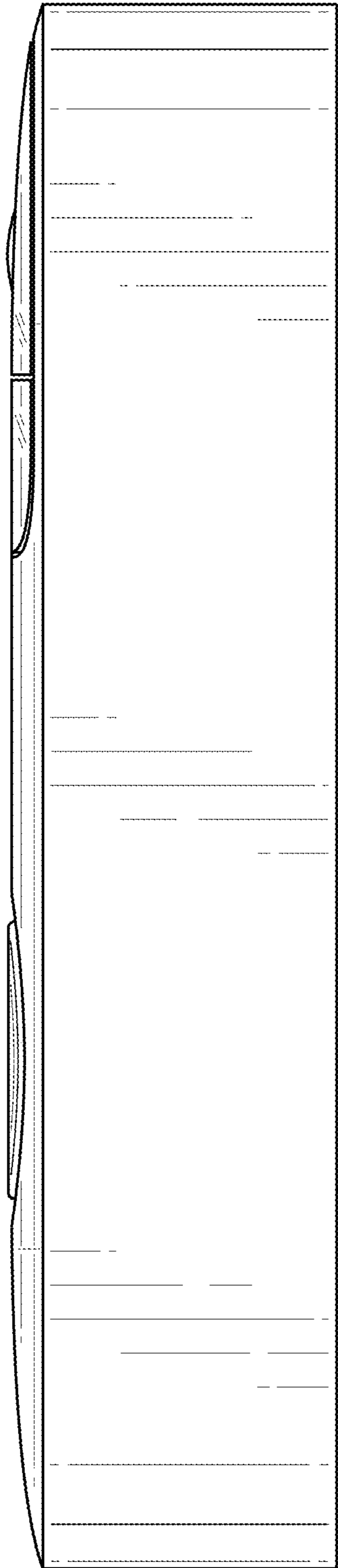


FIG. 6

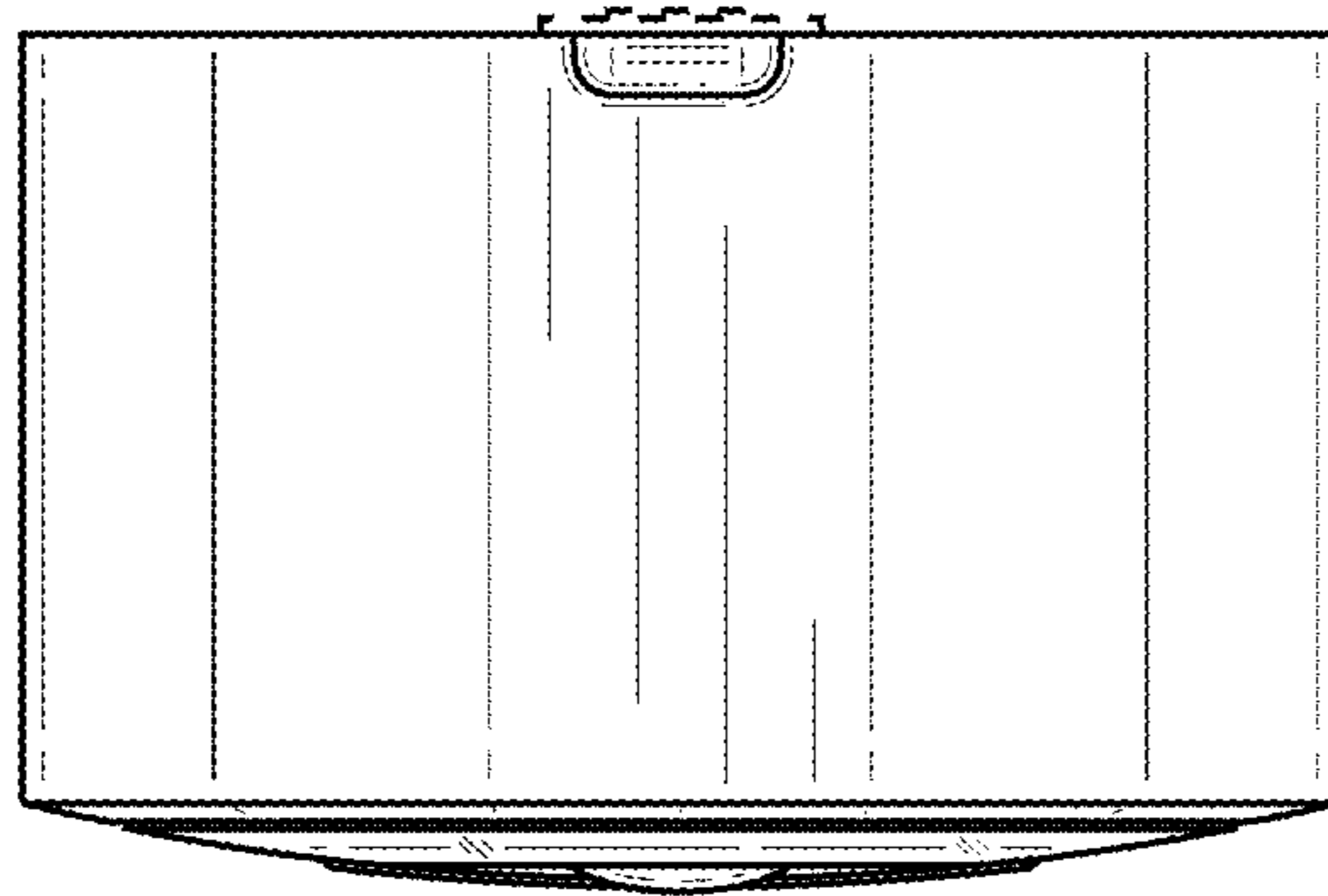


FIG. 7

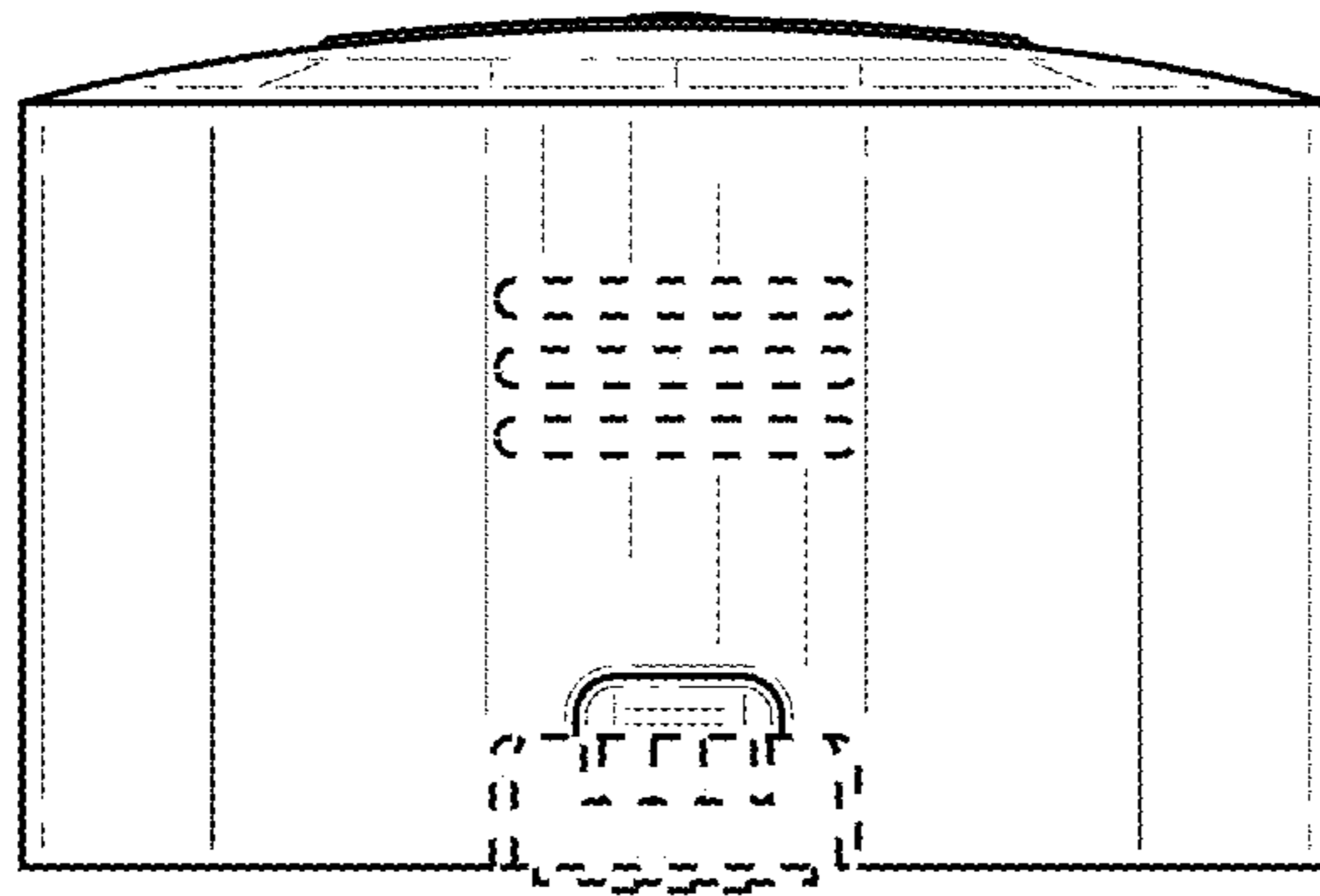


FIG. 8