



US00D980733S

(12) **United States Design Patent**  
**Manneschi**

(10) **Patent No.:** **US D980,733 S**

(45) **Date of Patent:** **\*\* Mar. 14, 2023**

(54) **METAL AND EXPLOSIVE DETECTION DEVICE**

(71) Applicant: **Costruzioni Elettroniche Industriali Automatismi S.p.A. C.E.I.A. S.P.A.**, Civitella In Val di Chiana (IT)

(72) Inventor: **Alessandro Manneschi, Arezzo (IT)**

(73) Assignee: **Costruzioni Elettroniche Industriali Automatismi S.p.A. C.E.I.A. S.P.A.**

(\*\*) Term: **15 Years**

(21) Appl. No.: **35/512,221**

(22) Filed: **Mar. 12, 2021**

(80) **Hague Agreement Data**

Int. Filing Date: **Mar. 12, 2021**  
Int. Reg. No.: **DM/215313**  
Int. Reg. Date: **Mar. 12, 2021**  
Int. Reg. Pub. Date: **Jul. 23, 2021**

(30) **Foreign Application Priority Data**

Dec. 3, 2020 (EM) ..... 008307649-0001

(51) **LOC (14) Cl.** ..... **10-05**

(52) **U.S. Cl.**  
USPC ..... **D10/106.1**

(58) **Field of Classification Search**  
USPC ..... D10/106.1  
CPC ..... A61B 5/0075; G01V 3/104; G01S 13/86  
See application file for complete search history.

(56) **References Cited**

U.S. PATENT DOCUMENTS

D330,683	S	*	11/1992	Green	.....	D10/106.1
D346,341	S	*	4/1994	Westerberg	.....	D10/106.1
D386,102	S	*	11/1997	Manneschi	.....	D10/106.1
7,889,076	B2	*	2/2011	Manneschi	.....	G01V 3/104 340/561
D867,192	S	*	11/2019	Sweeney	.....	D10/106.1
10,859,692	B2	*	12/2020	Manneschi	.....	G01S 13/86
D937,697	S	*	12/2021	Manneschi	.....	D10/106.1
2021/0393139	A1	*	12/2021	Manneschi	.....	A61B 5/0075

\* cited by examiner

*Primary Examiner* — George D. Kirschbaum

(74) *Attorney, Agent, or Firm* — Hovey Williams LLP

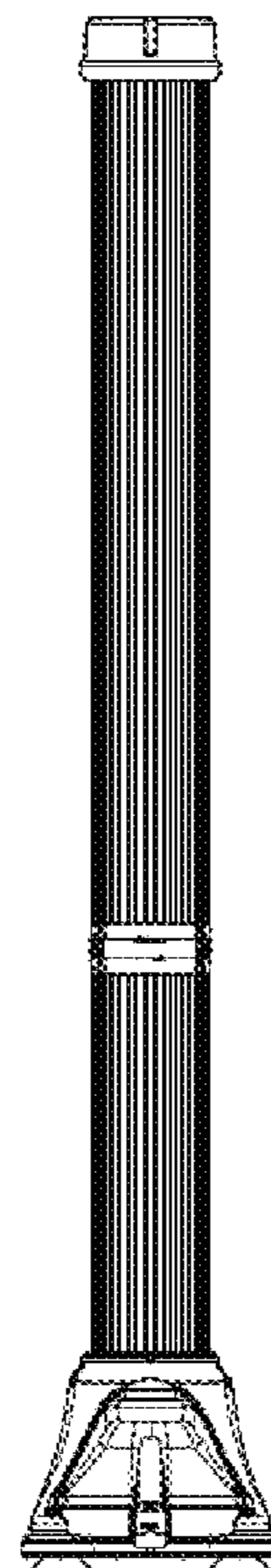
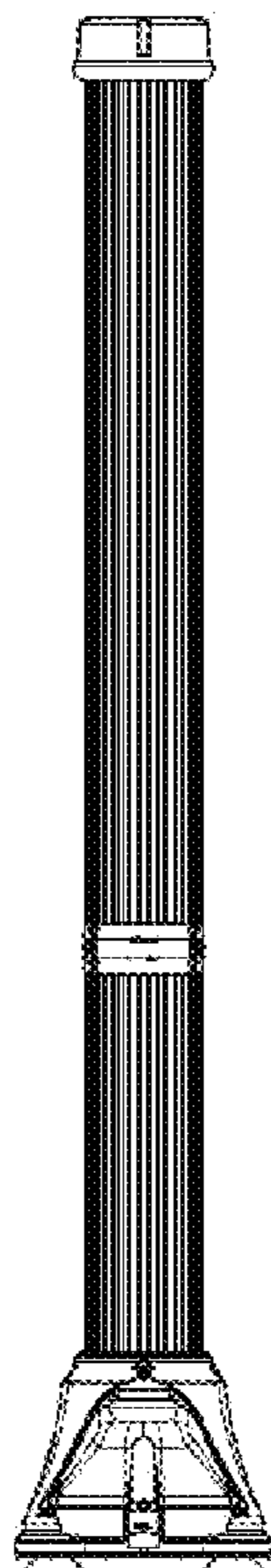
(57) **CLAIM**

The ornamental design for a metal and explosive detection device, as shown and described.

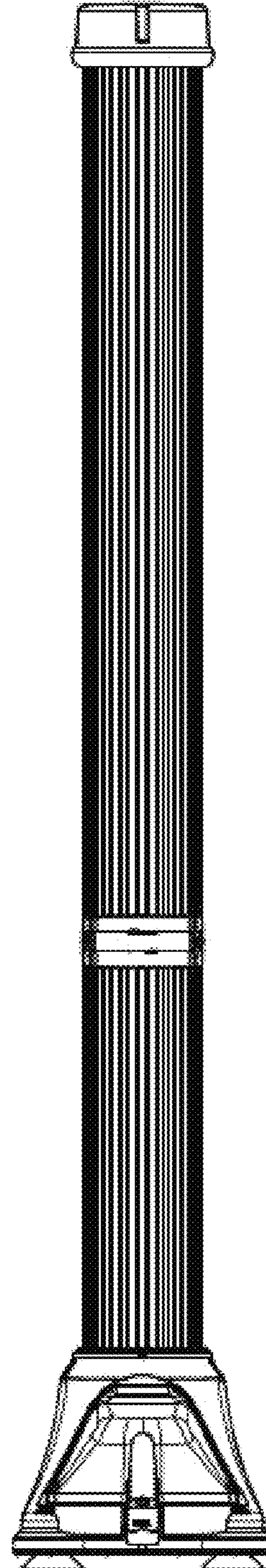
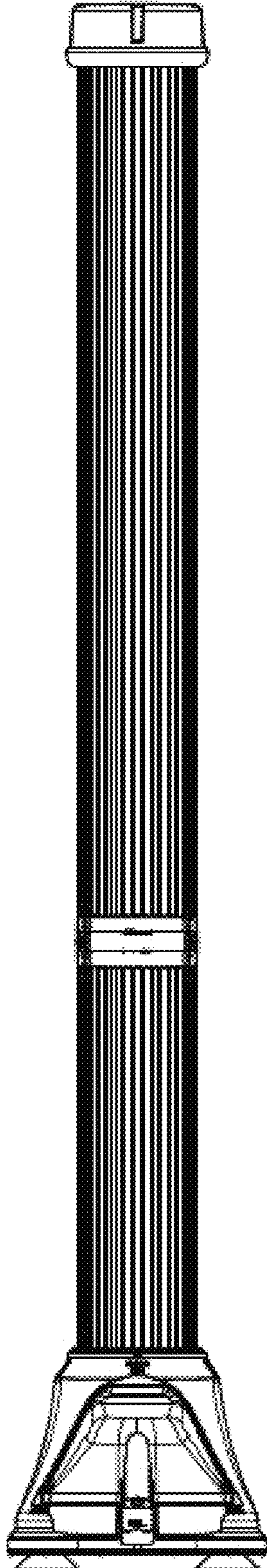
**DESCRIPTION**

1. Metal and explosive detection device
- 1.1 : Front
- 1.2 : Back
- 1.3 : Left
- 1.4 : Top
- 1.5 : Front view in perspective
- 1.6 : Rear view in perspective
- 1.7 : Rear view in perspective in open state

**1 Claim, 7 Drawing Sheets**

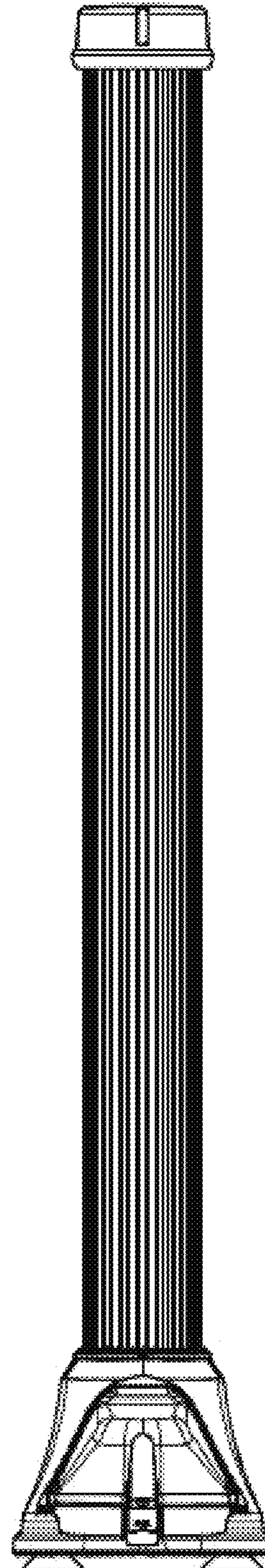
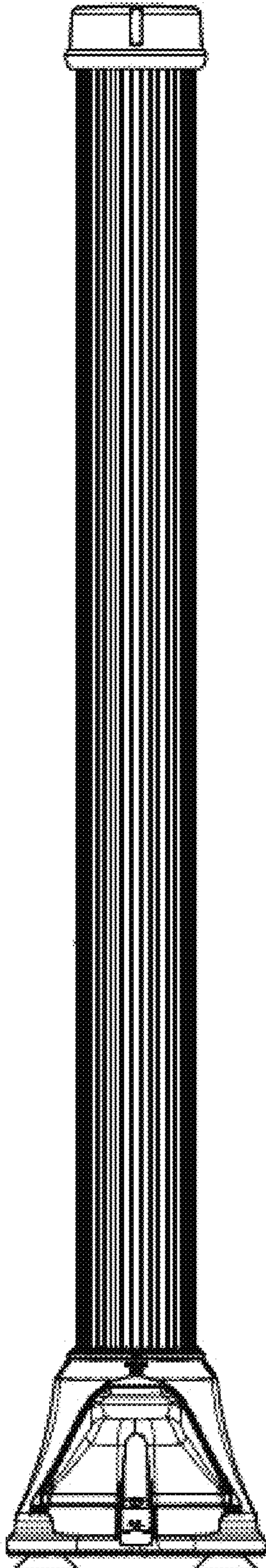


# 1.1

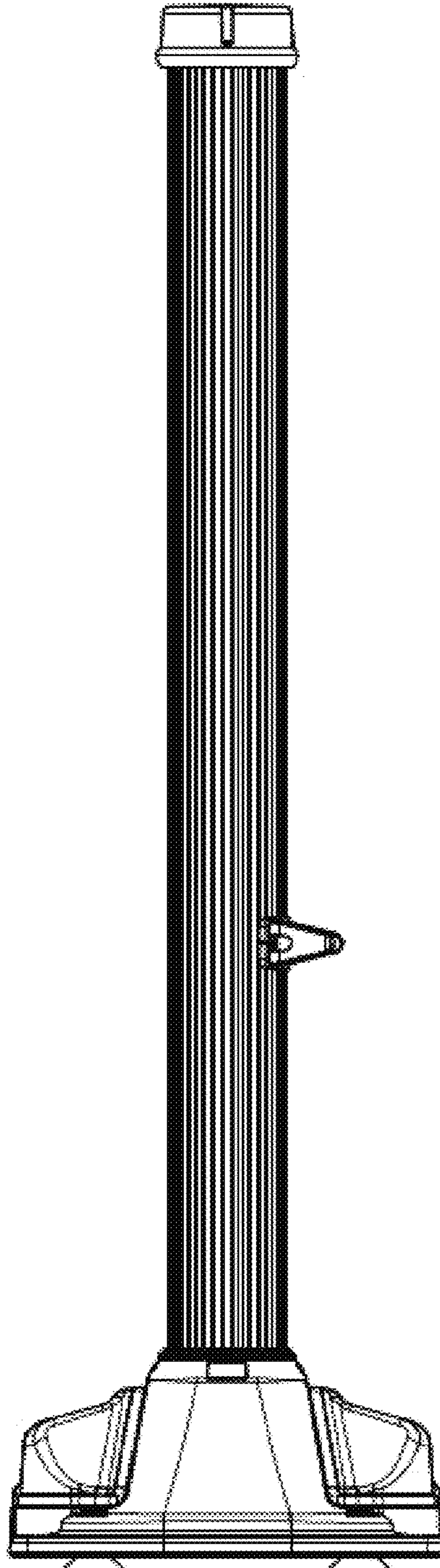




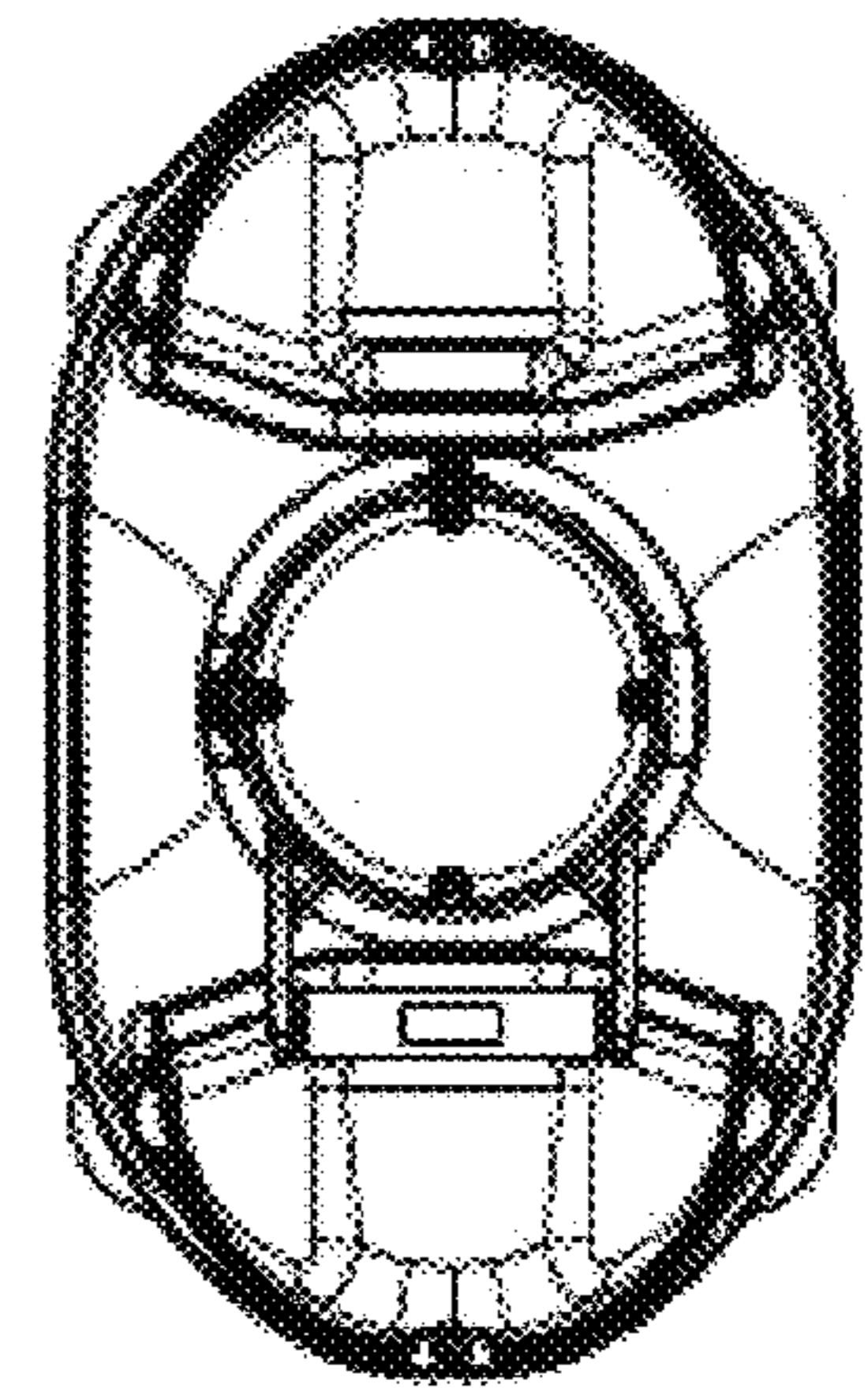
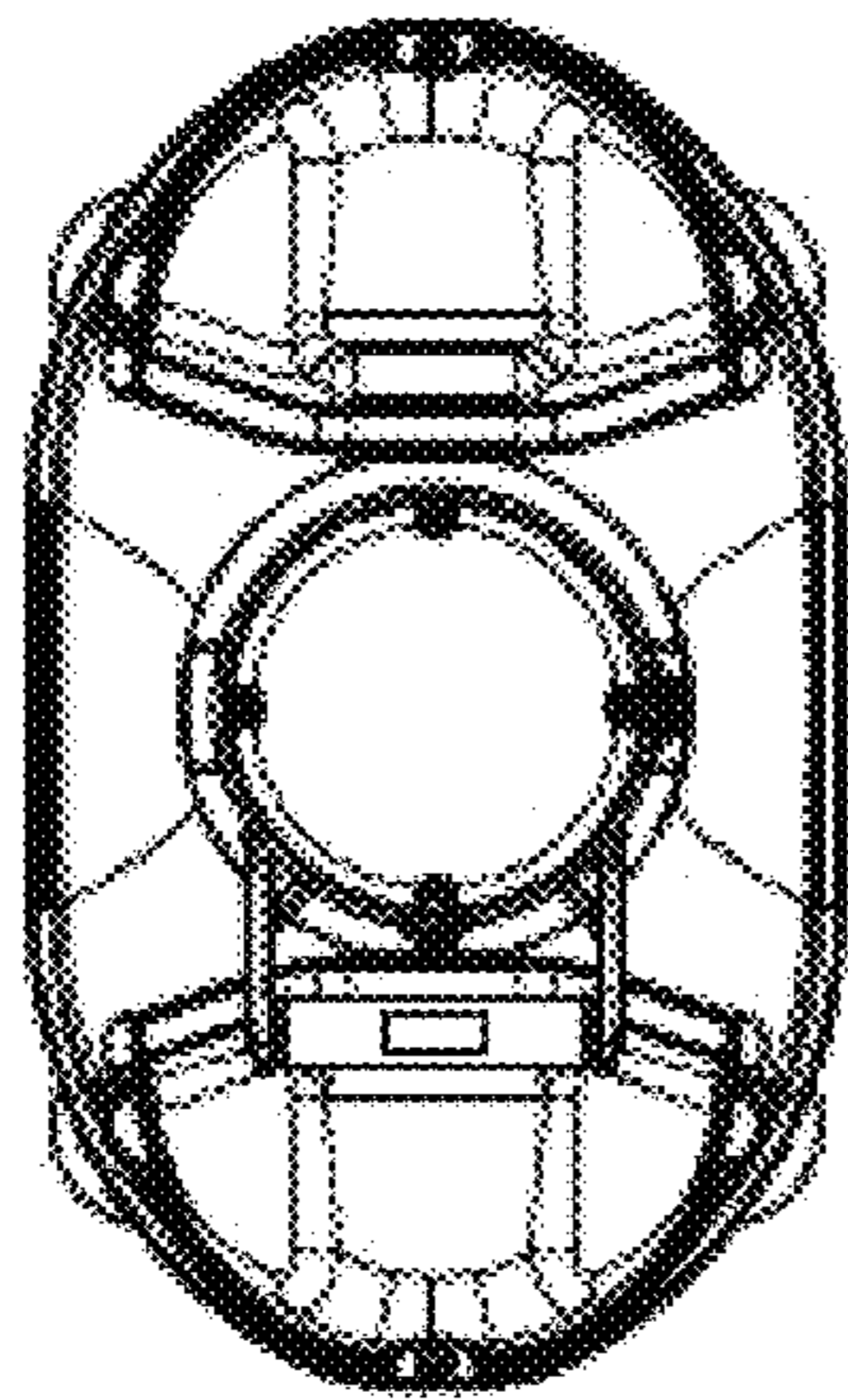
# 1.2



# 1.3

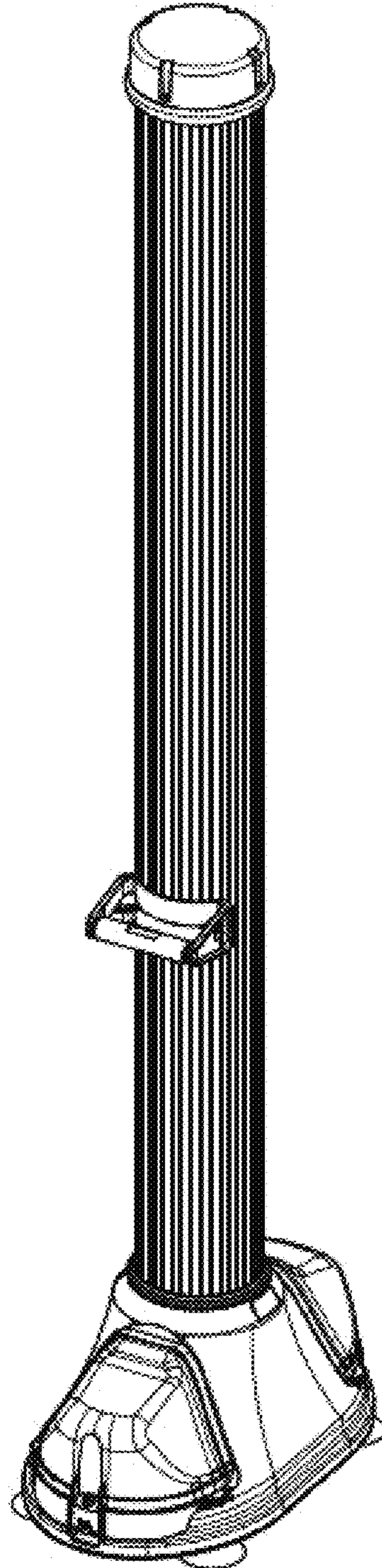
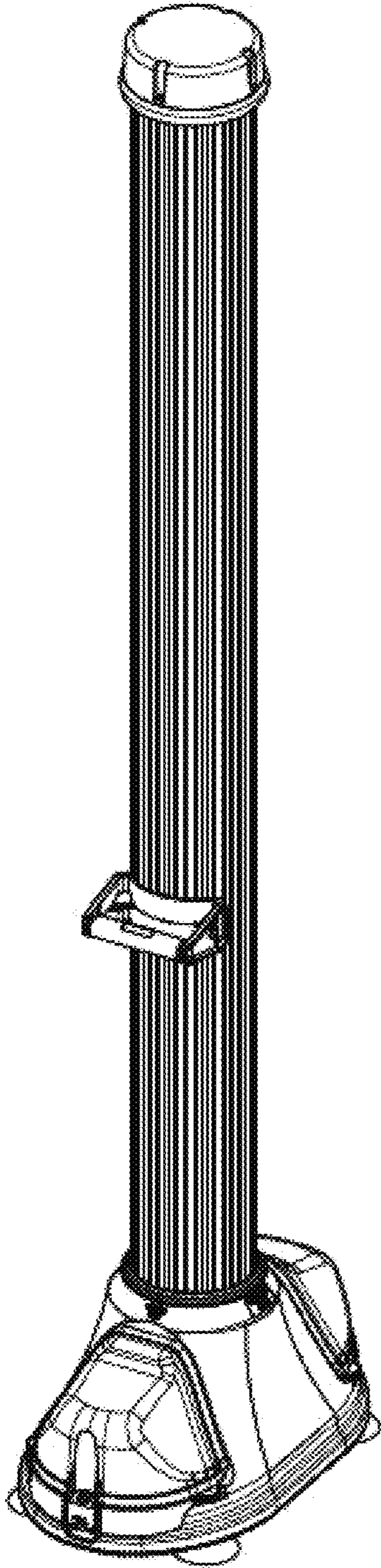


1.4



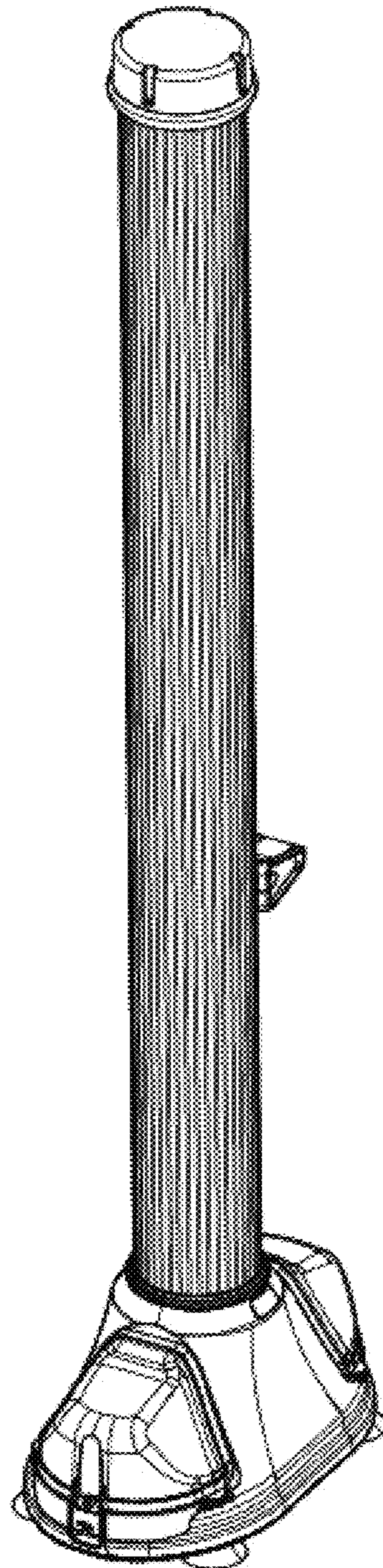
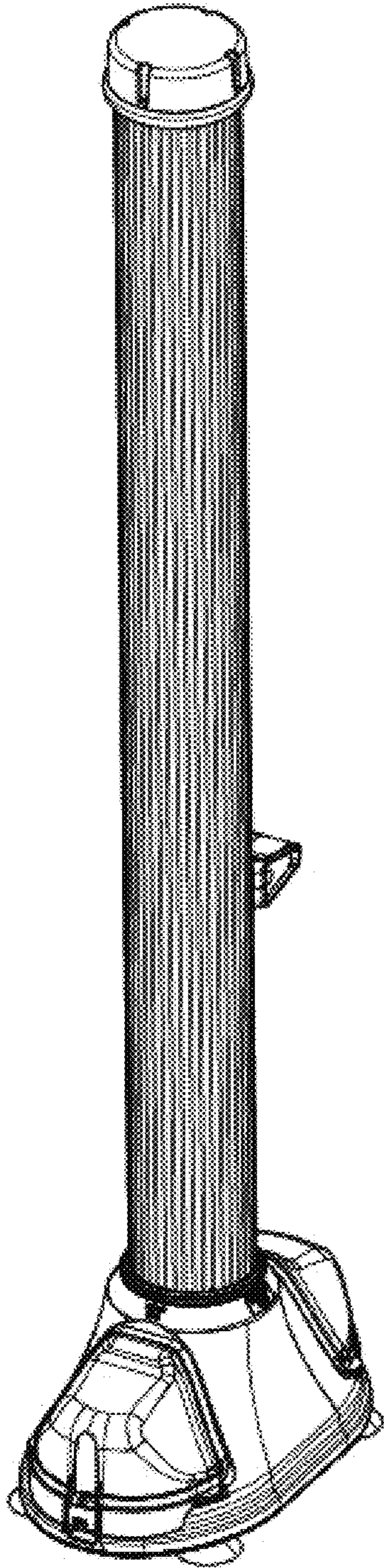


1.5





# 1.6





1.7

