



US00D980731S

(12) **United States Design Patent**
Liu et al.

(10) **Patent No.:** **US D980,731 S**
(45) **Date of Patent:** **** Mar. 14, 2023**

(54) **ELECTRIC SCALE**

(71) Applicant: **Shanghai HOTO Technology Co., Ltd.**, Shanghai (CN)

(72) Inventors: **Lidan Liu**, Shanghai (CN); **Xiaodong Liu**, Shanghai (CN); **Fei Lei**, Shanghai (CN); **Lu Zheng**, Shanghai (CN)

(73) Assignee: **SHANGHAI HOTO TECHNOLOGY CO., LTD.**, Shanghai (CN)

(**) Term: **15 Years**

(21) Appl. No.: **29/804,224**

(22) Filed: **Aug. 19, 2021**

(30) **Foreign Application Priority Data**

Apr. 14, 2021 (CN) 202130211296.2

(51) **LOC (14) Cl.** **10-04**

(52) **U.S. Cl.**
USPC **D10/91**

(58) **Field of Classification Search**
USPC D10/87, 88, 89, 90, 91, 92, 94
CPC G01G 21/22; G01G 21/28; G01G 21/283
See application file for complete search history.

(56) **References Cited**

U.S. PATENT DOCUMENTS

D458,552 S	*	6/2002	Ekelund	D10/91
D475,311 S	*	6/2003	Wiel	D10/92
D547,682 S	*	7/2007	Barnes	D10/92
D603,735 S	*	11/2009	Daniels	D10/92
D699,137 S	*	2/2014	Wurts	D10/91

D700,093 S	*	2/2014	Gomez	D10/91
D703,557 S	*	4/2014	Wurts	D10/91
D758,227 S	*	6/2016	Thirouin	D10/91
D871,945 S	*	1/2020	Li	D10/92
D945,896 S	*	3/2022	Gao	D10/92
D948,363 S	*	4/2022	Xu	D10/91
D961,427 S	*	8/2022	Gao	D10/92
D962,805 S	*	9/2022	Gao	D10/92

* cited by examiner

Primary Examiner — George D. Kirschbaum

Assistant Examiner — Lillian Windham

(74) *Attorney, Agent, or Firm* — Andrew C. Cheng

(57) **CLAIM**

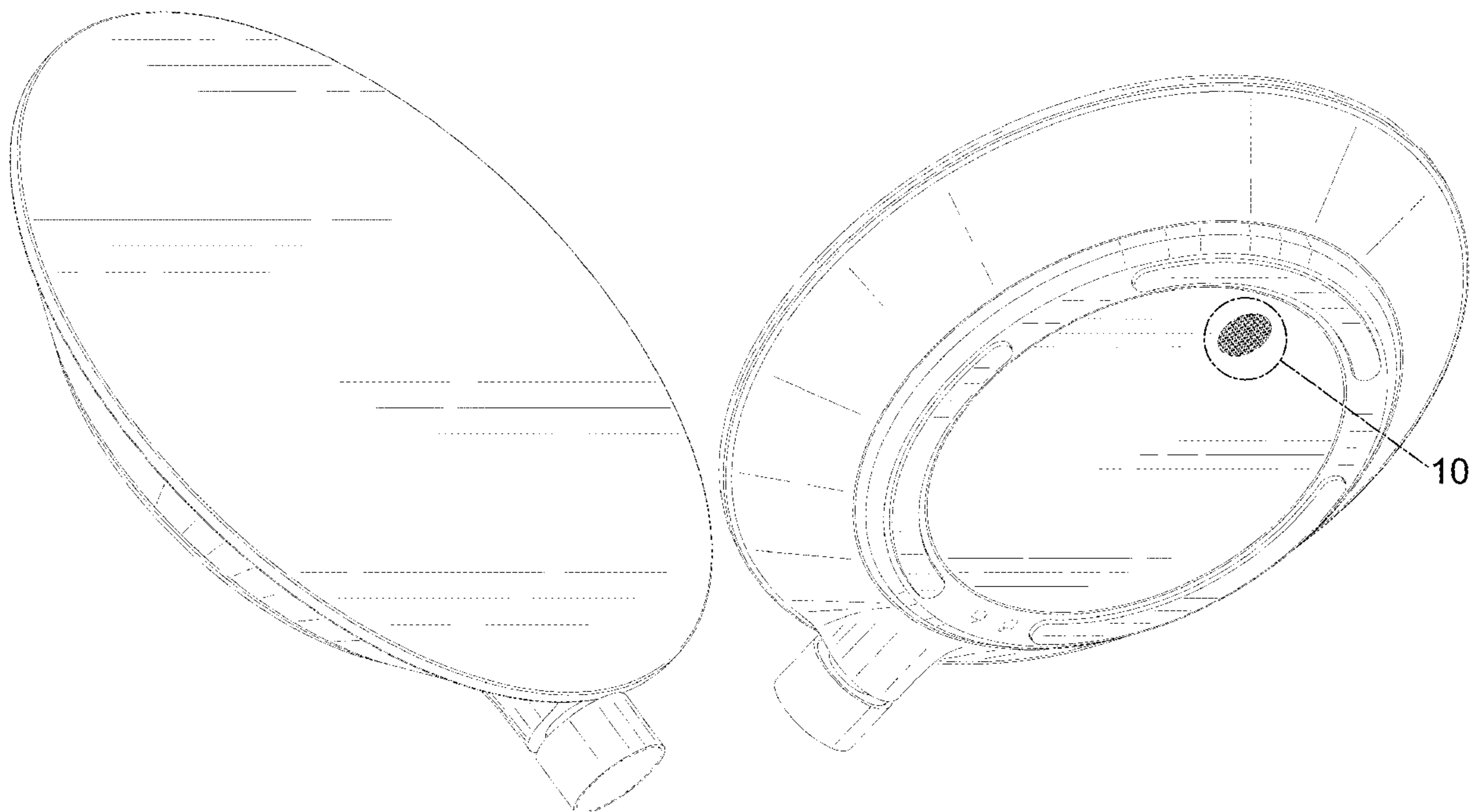
We claim the ornamental design for an electric scale, as shown and described.

DESCRIPTION

FIG. 1 is a front perspective view of an electric scale; FIG. 2 is a rear perspective view of the electric scale of FIG. 1; FIG. 3 is a front view of the electric scale of FIG. 1; FIG. 4 is a rear view of the electric scale of FIG. 1; FIG. 5 is a left side view of the electric scale of FIG. 1; FIG. 6 is a right side view of the electric scale of FIG. 1; FIG. 7 is a top view of the electric scale of FIG. 1; FIG. 8 is a bottom view of the electric scale of FIG. 1; and, FIG. 9 is an enlarged view of the circled portion 10 of FIG. 2.

The broken lines depict portions of the electric scale in which the design is embodied that form no part of the claimed design.

1 Claim, 9 Drawing Sheets



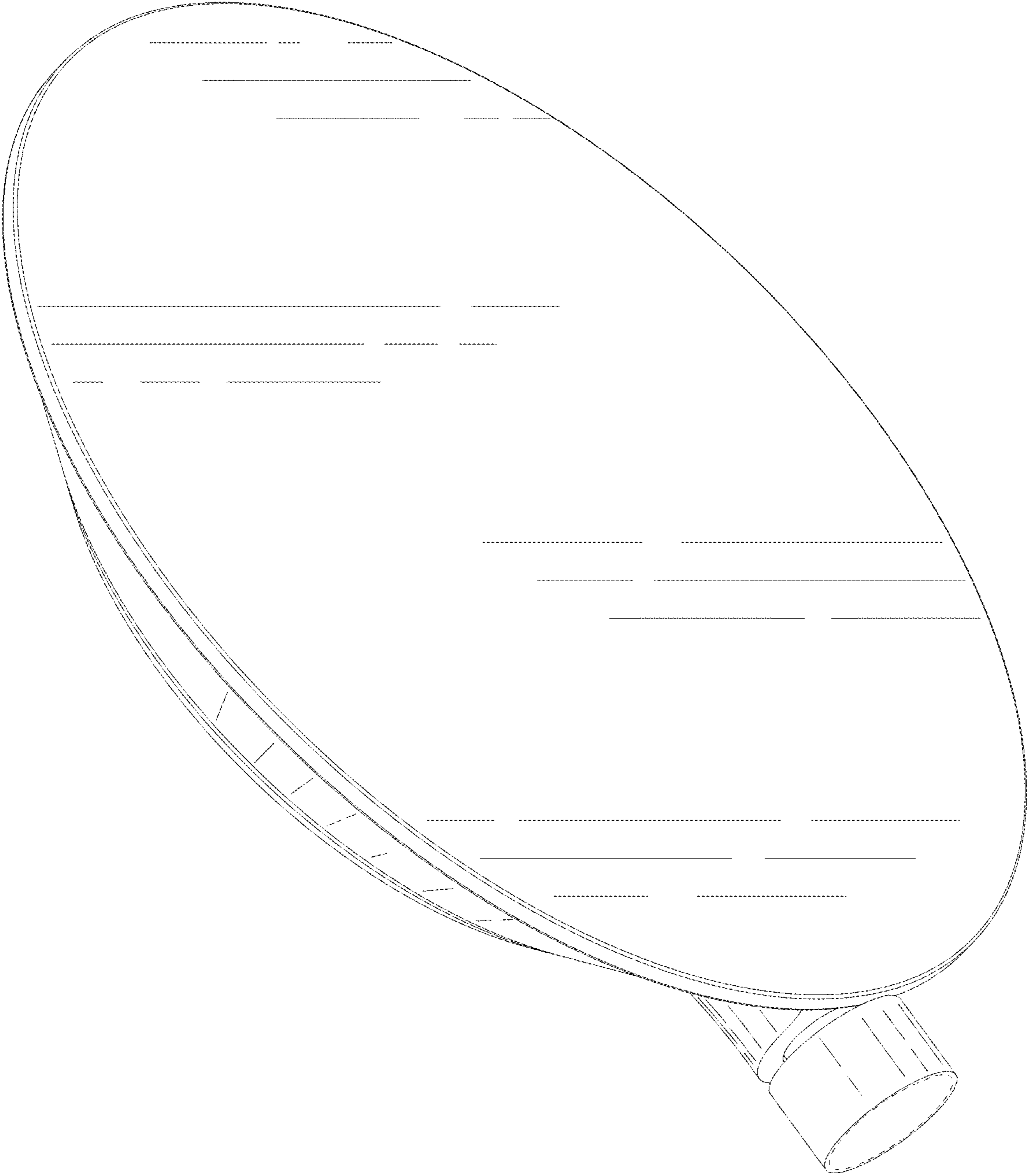


FIG. 1

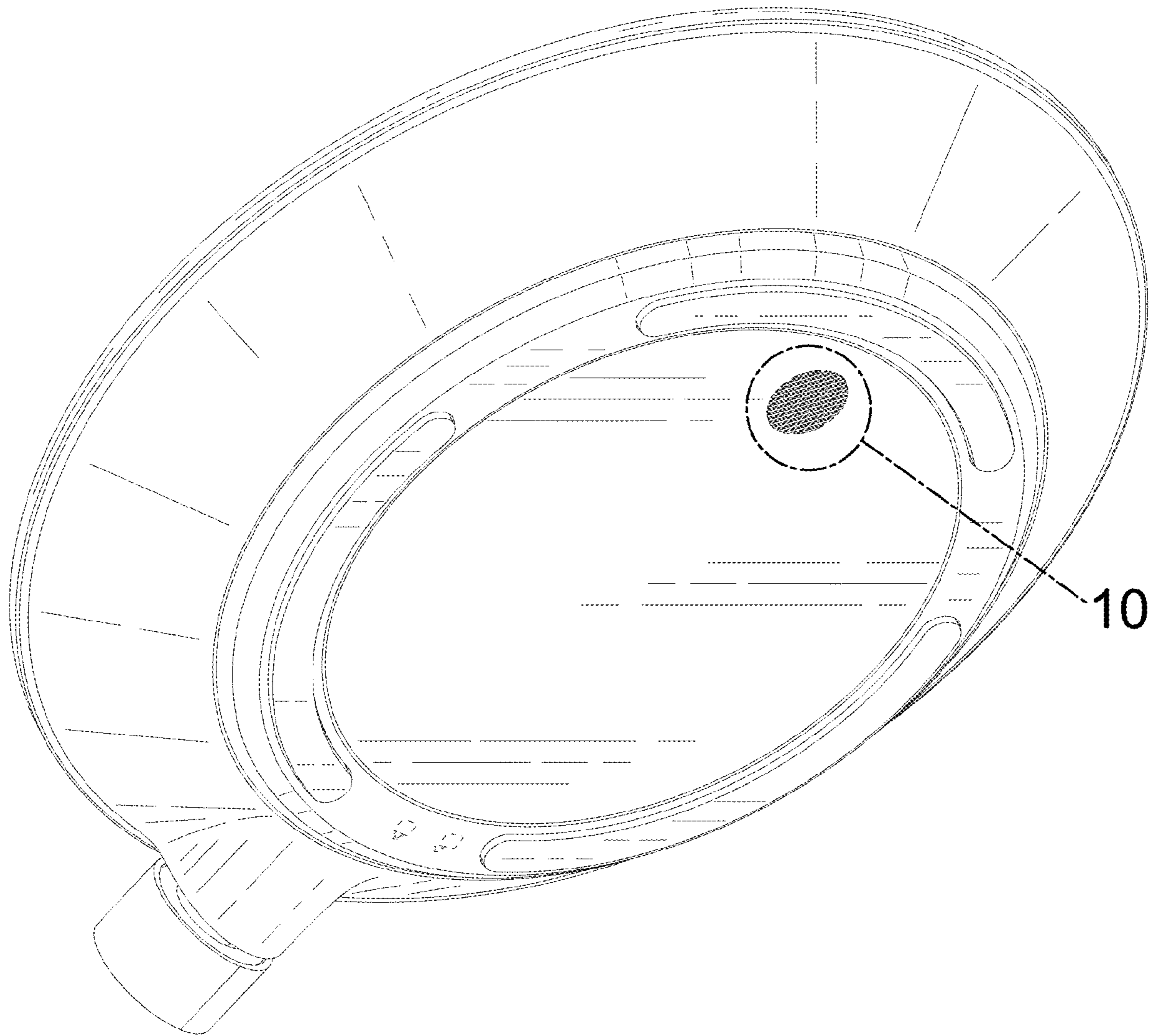


FIG. 2

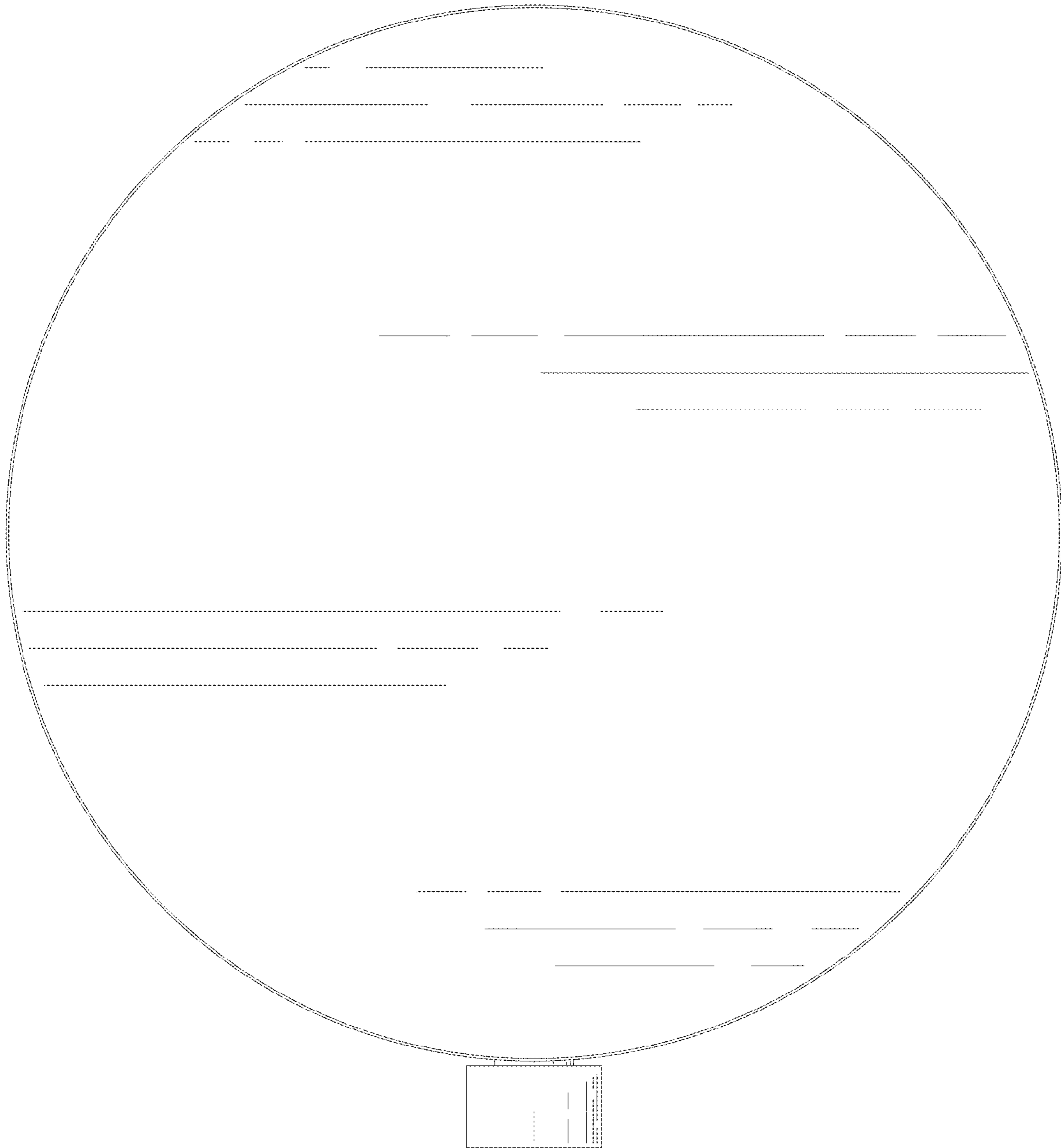


FIG. 3

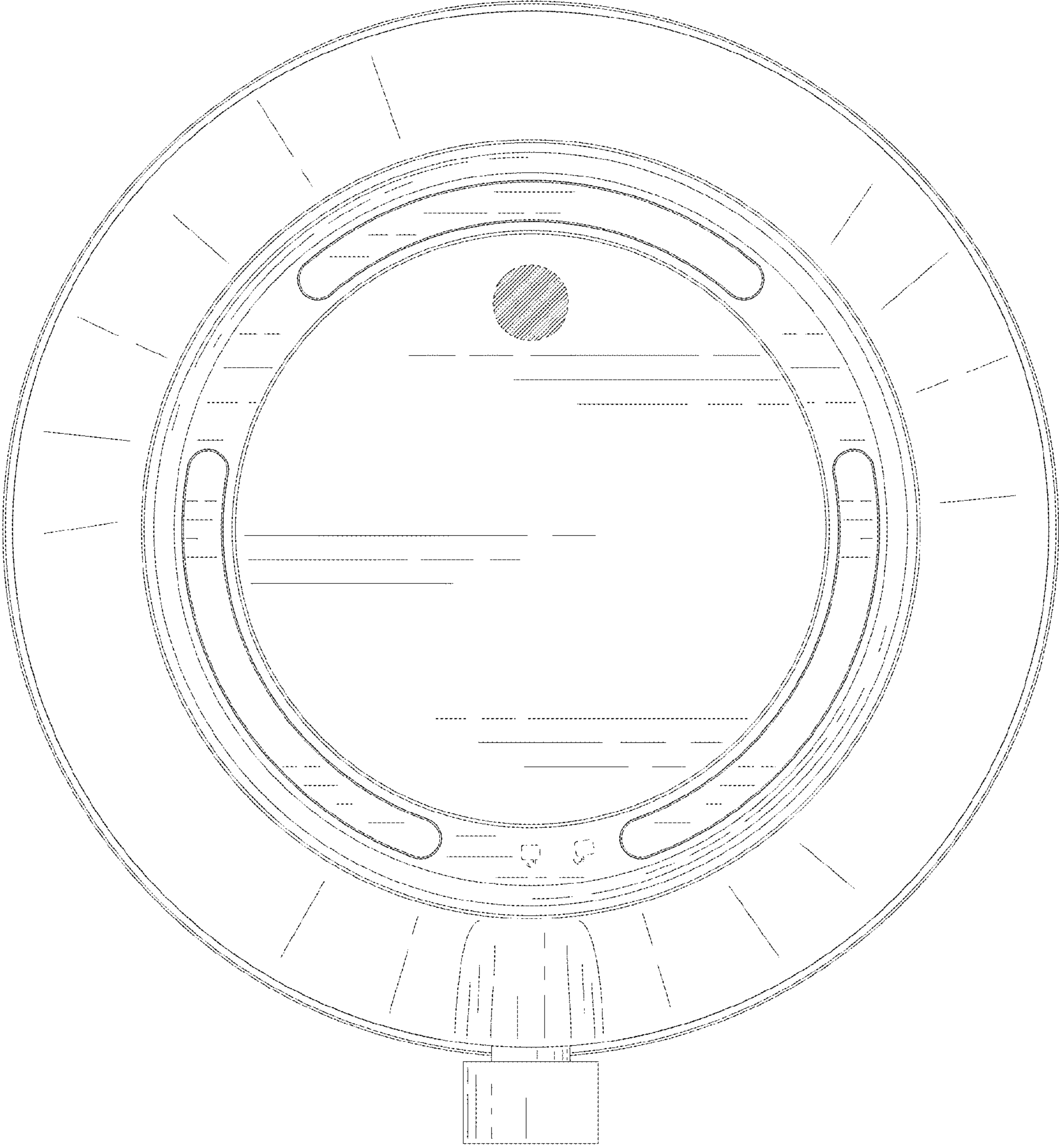


FIG. 4

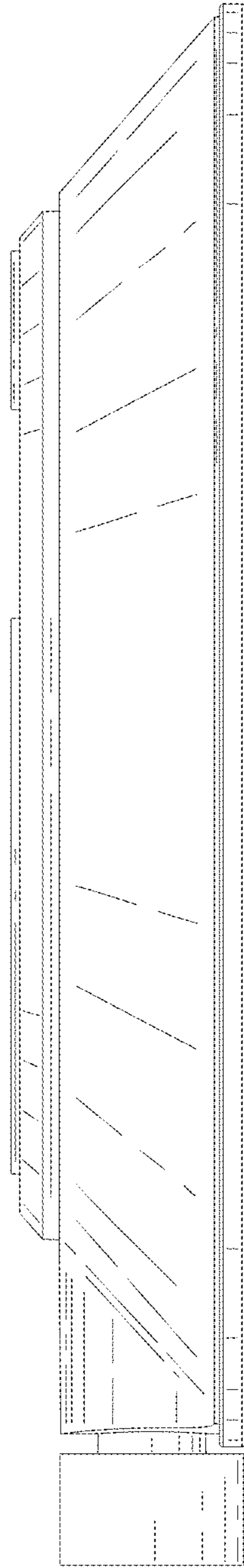


FIG. 5

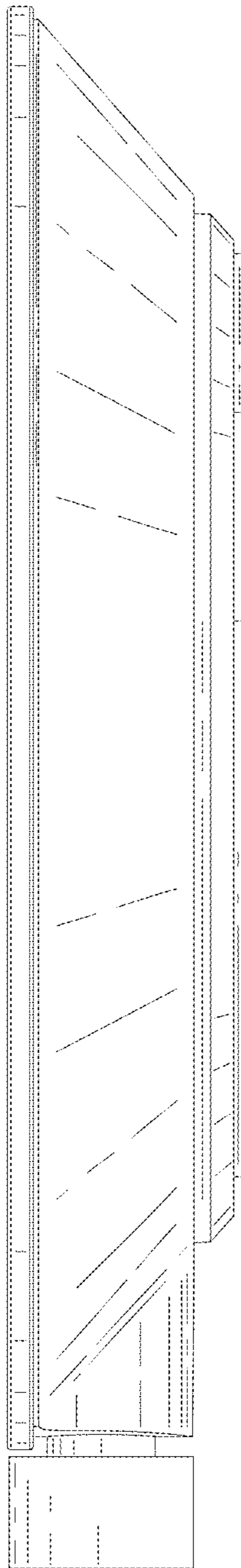


FIG. 6

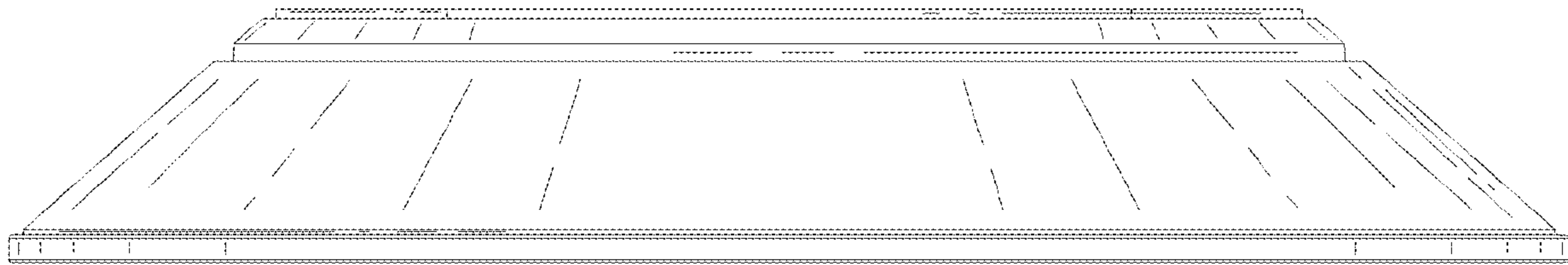


FIG. 7

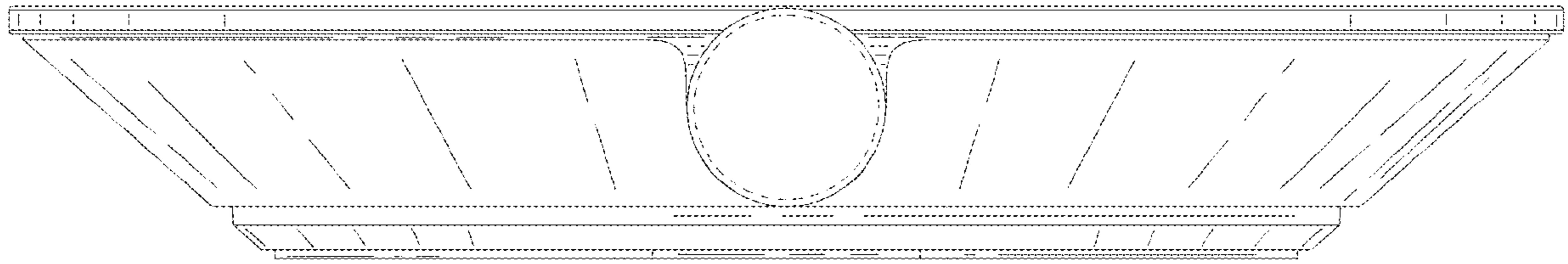


FIG. 8

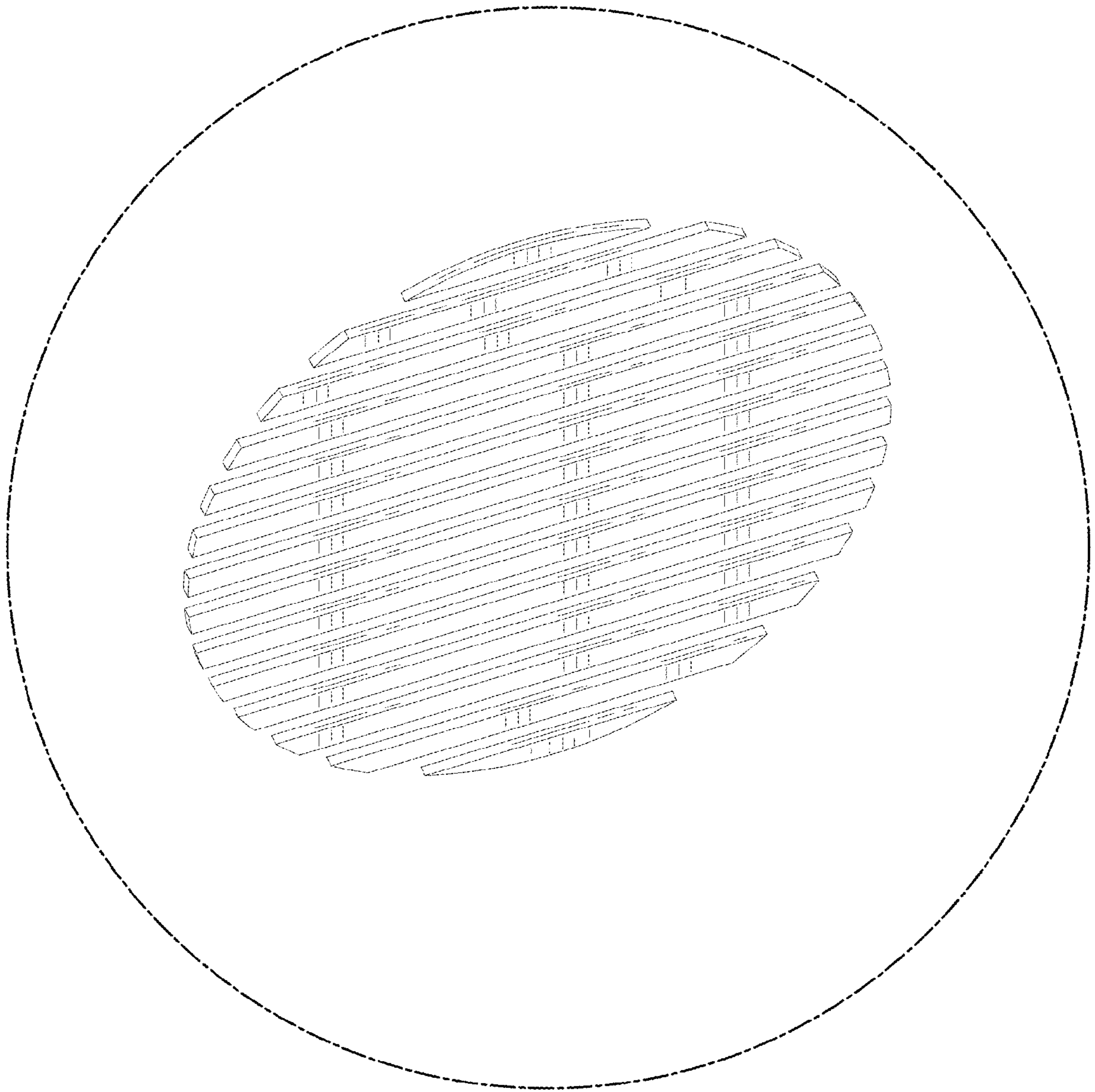


FIG. 9