



US00D980730S

(12) **United States Design Patent**
Penn

(10) **Patent No.:** **US D980,730 S**
(45) **Date of Patent:** **** Mar. 14, 2023**

(54) **MEASURING INSTRUMENT HOUSING**

(71) Applicant: **TINTOMETER GMBH**, Dortmund (DE)

(72) Inventor: **Amy Penn**, Amesbury (GB)

(73) Assignee: **TINTOMETER GMBH**, Dortmund (DE)

(**) Term: **15 Years**

(21) Appl. No.: **29/760,373**

(22) Filed: **Dec. 1, 2020**

(30) **Foreign Application Priority Data**

Jun. 2, 2020 (EM) 007978879

(51) **LOC (14) Cl.** **10-04**

(52) **U.S. Cl.**
USPC **D10/81**

(58) **Field of Classification Search**
USPC D10/70, 75, 51, 57, 96, 98; D24/216, D24/186
CPC G01J 3/501
See application file for complete search history.

(56) **References Cited**

U.S. PATENT DOCUMENTS

D251,774 S *	5/1979	Olson	D10/81
D338,275 S *	8/1993	Fischer	D24/223
D375,553 S *	11/1996	Creed	D24/112
D452,564 S *	12/2001	Micinski	D24/169
D650,910 S *	12/2011	Shibata	D24/216
D661,810 S *	6/2012	Zanoni	D24/186
D689,387 S *	9/2013	Muraoka	D24/232
D697,625 S *	1/2014	Montgomery	D24/186
D712,760 S *	9/2014	Towns	D10/70
D724,740 S *	3/2015	Collins	D24/169
D725,780 S *	3/2015	Johnson	D24/169
D725,781 S *	3/2015	Collins	D24/169
D725,782 S *	3/2015	Gill	D24/169

(Continued)

OTHER PUBLICATIONS

TRA 520—Placing a sample in the measurement chamber, YouTube, publication date Jun. 19, 2020, (online) URL: <https://www.youtube.com/watch?v=RY3cOplaxZ4> (Year: 2020).*

(Continued)

Primary Examiner — Nicole C Shiflet

Assistant Examiner — Antoinette Martine Suiter

(74) *Attorney, Agent, or Firm* — McNeas Wallace & Nurick LLC

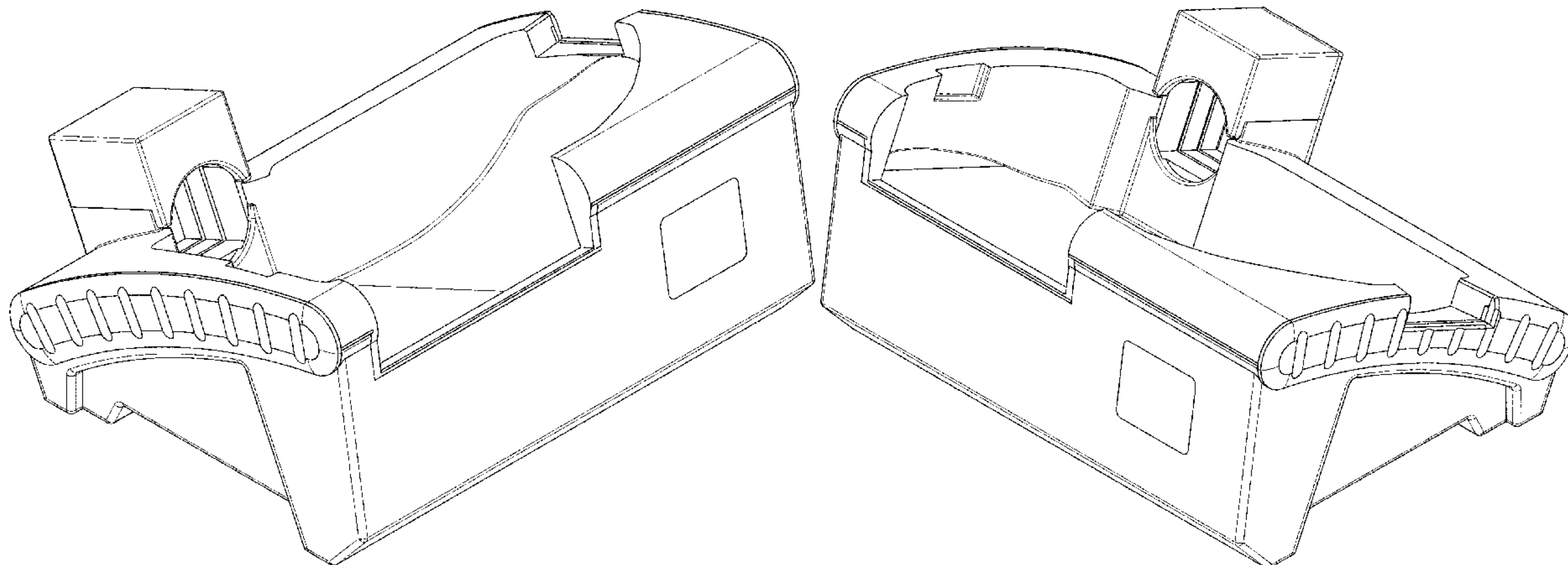
(57) **CLAIM**

The ornamental design for a measuring instrument housing, as shown and described.

DESCRIPTION

FIG. 1 is a top-rear-right perspective view of a measuring instrument housing, showing the design;
FIG. 2 is a front elevation view of the measuring instrument housing of FIG. 1;
FIG. 3 is a rear elevation view of the measuring instrument housing of FIG. 1;
FIG. 4 is a left elevation view of the measuring instrument housing of FIG. 1;
FIG. 5 is a right elevation view of the measuring instrument housing of FIG. 1;
FIG. 6 is a top plan view of the measuring instrument housing of FIG. 1;
FIG. 7 is a bottom plan view of the measuring instrument housing of FIG. 1;
FIG. 8 is a top-front-right perspective view of the measuring instrument housing of FIG. 1;
FIG. 9 is a top-front-left perspective view of the measuring instrument housing of FIG. 1; and,
FIG. 10 is a top-rear-left perspective view of the measuring instrument housing of FIG. 1.

1 Claim, 10 Drawing Sheets



(56)

References Cited

U.S. PATENT DOCUMENTS

D757,272	S	*	5/2016	Distler	D24/169
D762,304	S	*	7/2016	Collins	D24/169
RE46,577	E	*	10/2017	Collins	D24/169
RE46,597	E	*	11/2017	Collins	D24/169
RE46,598	E	*	11/2017	Gill	D24/169
D826,743	S	*	8/2018	Hsu	D10/70
D851,778	S	*	6/2019	Stamm	D24/216
D868,957	S	*	12/2019	Chase	D24/188
D878,227	S	*	3/2020	Cross	D10/81
D883,815	S	*	5/2020	Billman	D10/101
2012/0026498	A1	*	2/2012	Picciotto	G01J 3/501 356/402

OTHER PUBLICATIONS

TRA 520—Setting Up To Take a Measurement, YouTube, publication date Jun. 19, 2020, (online) URL: https://www.youtube.com/watch?v=_LrHX0myG7s (Year: 2020).*

* cited by examiner

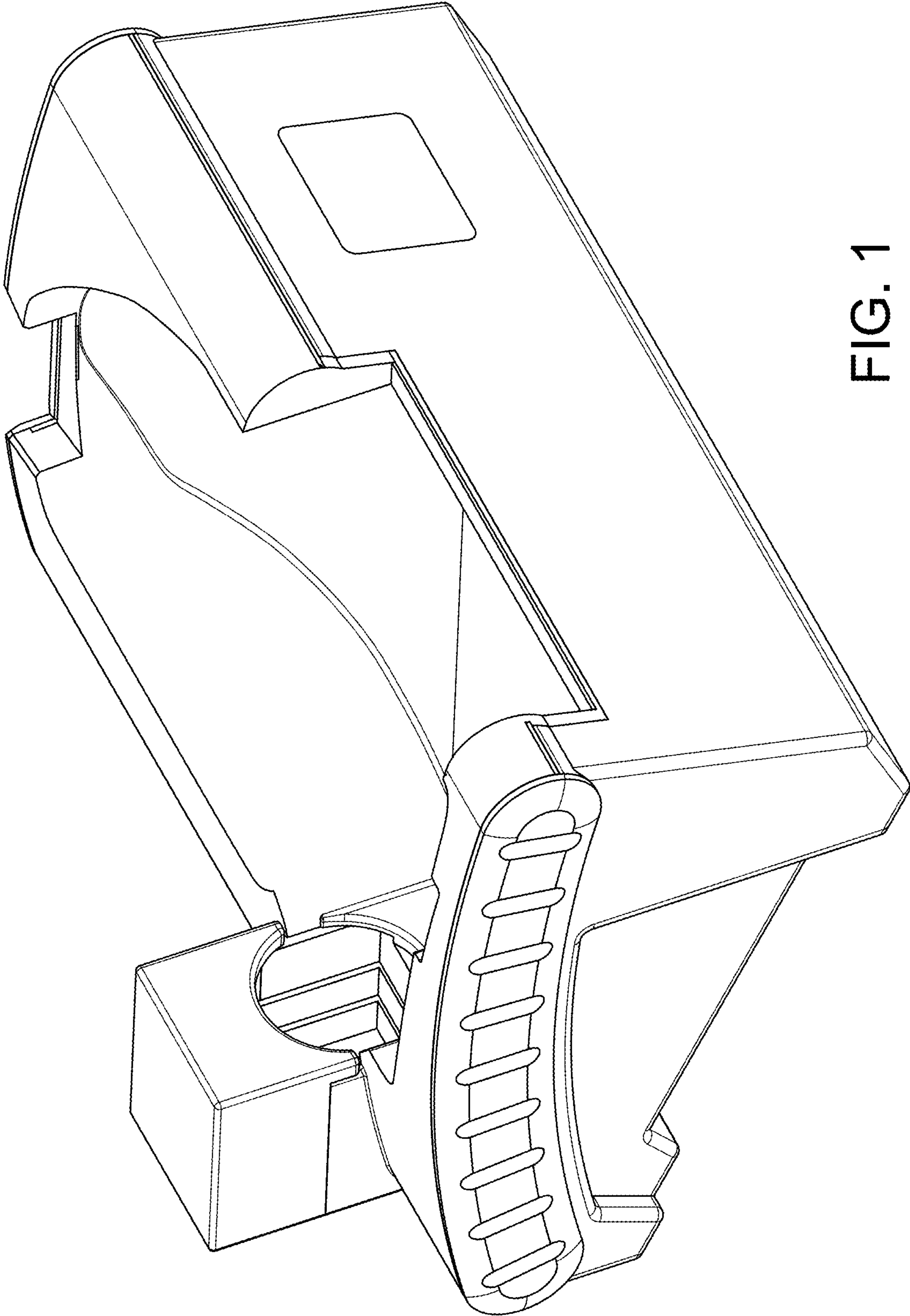


FIG. 1

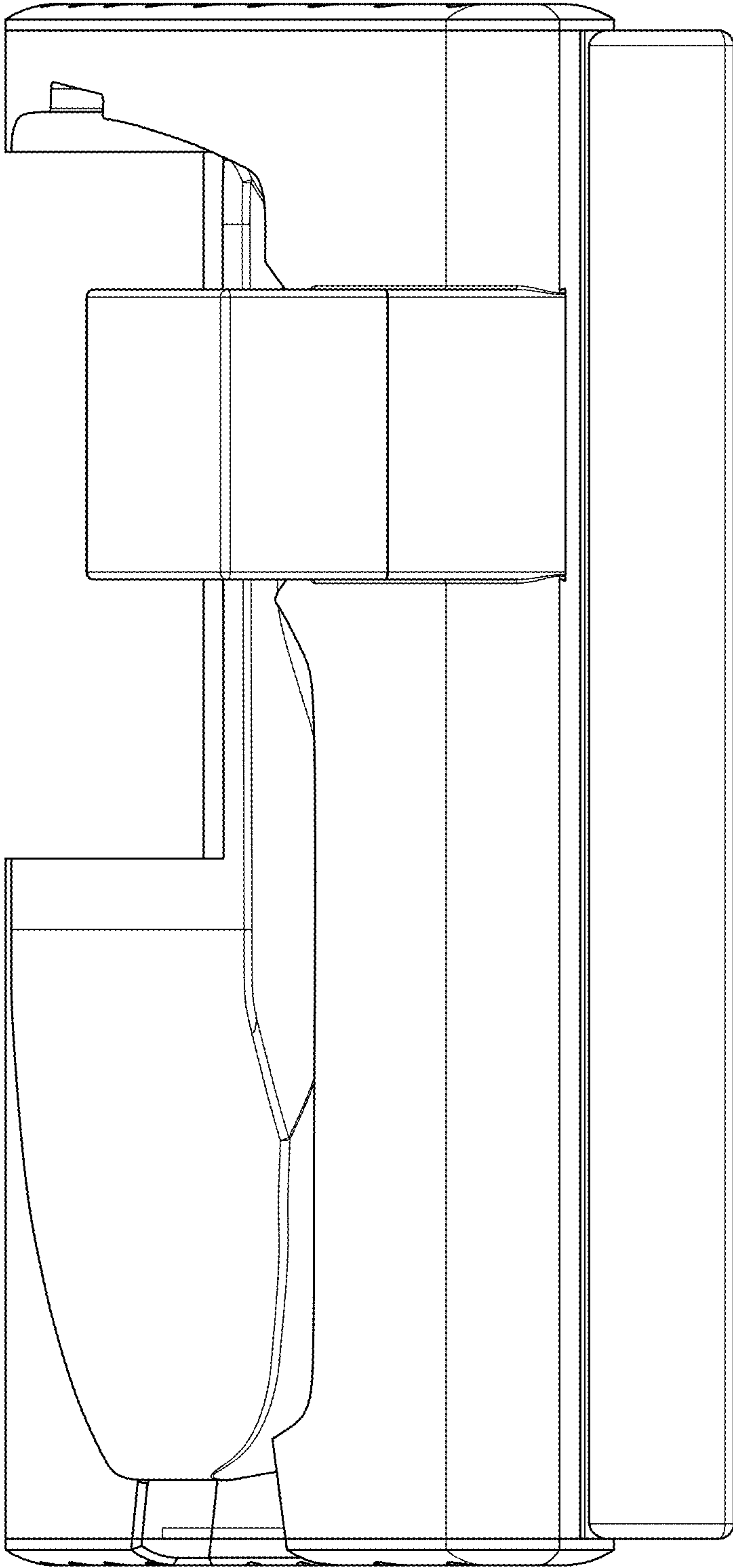


FIG. 2

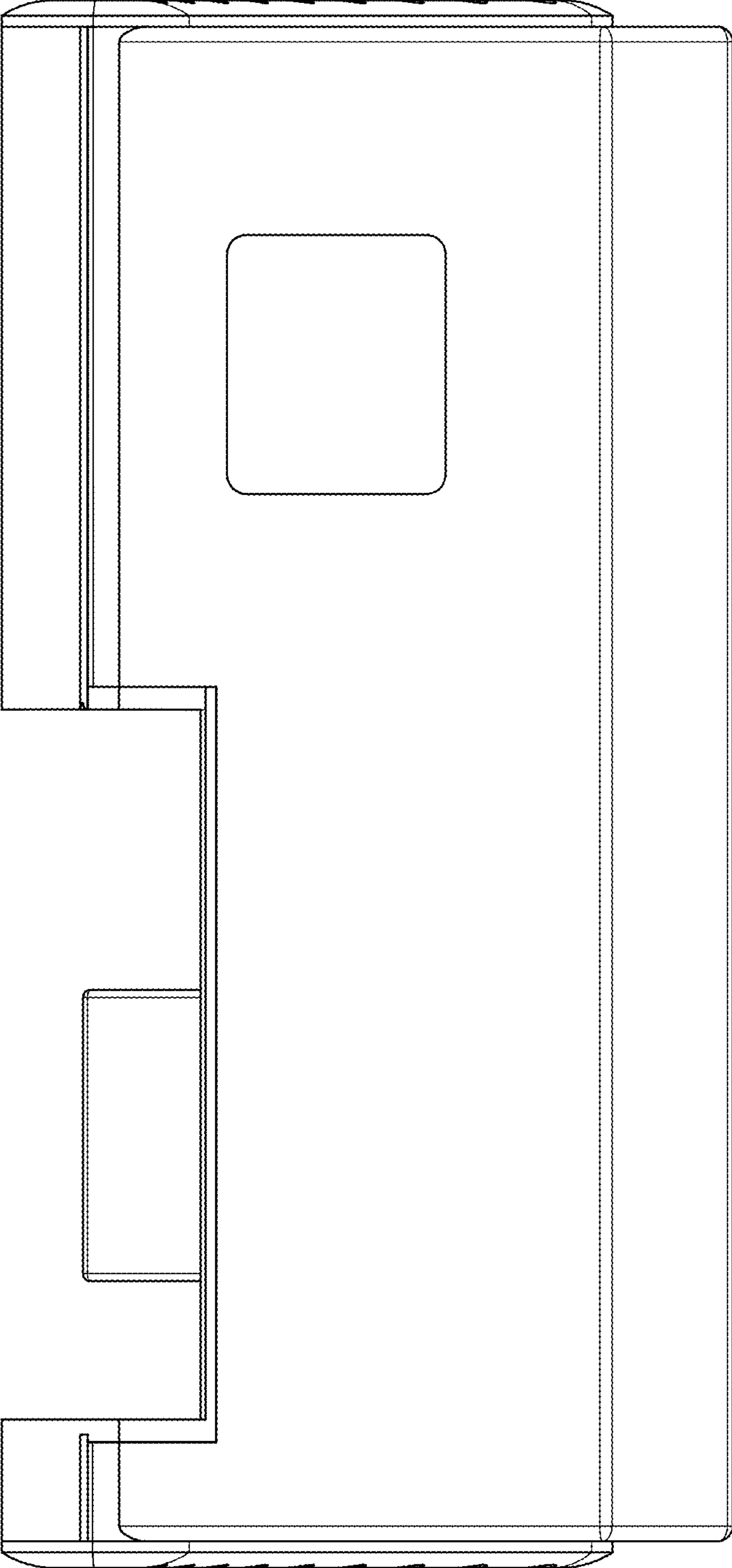


FIG. 3

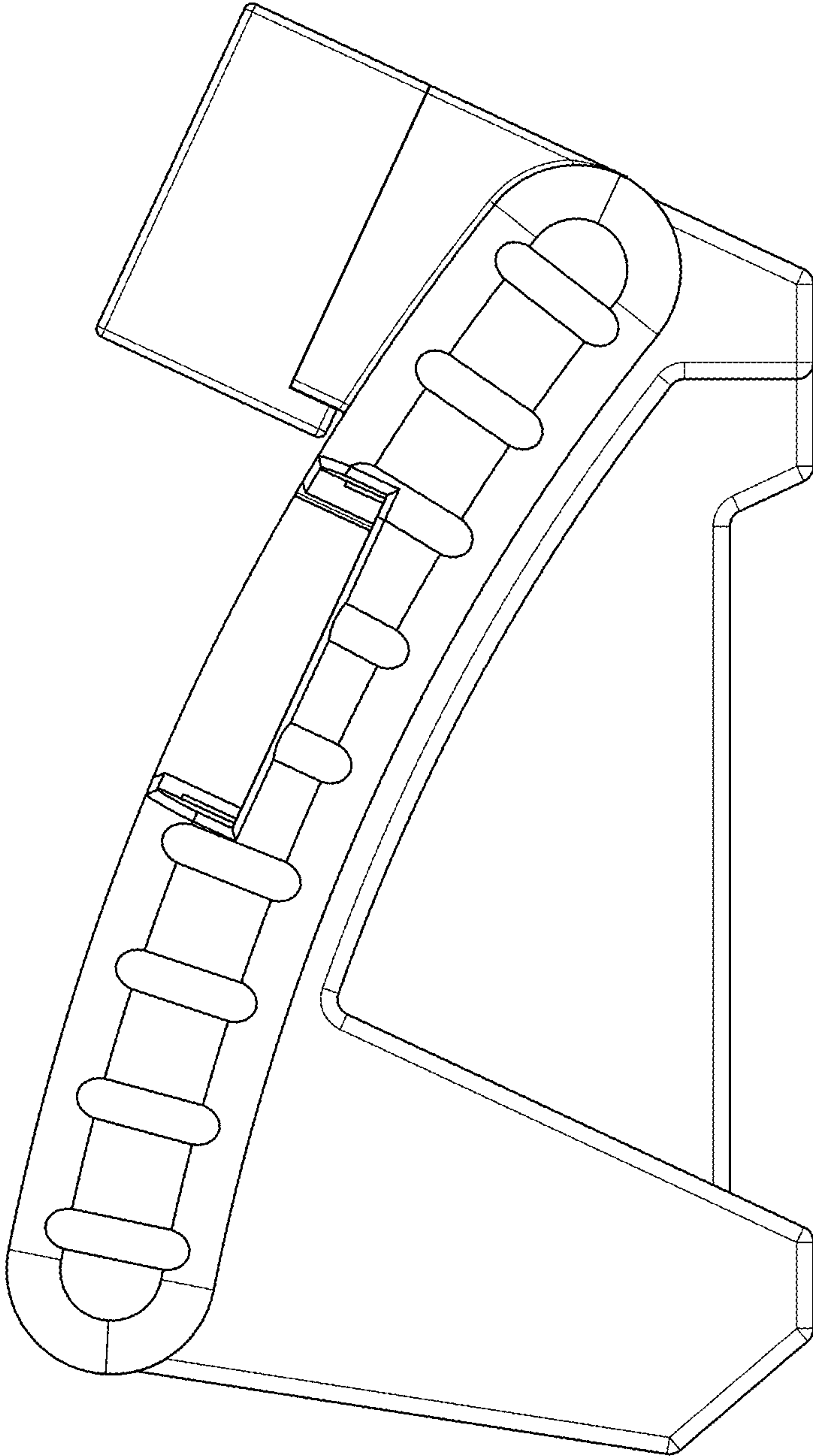


FIG. 4

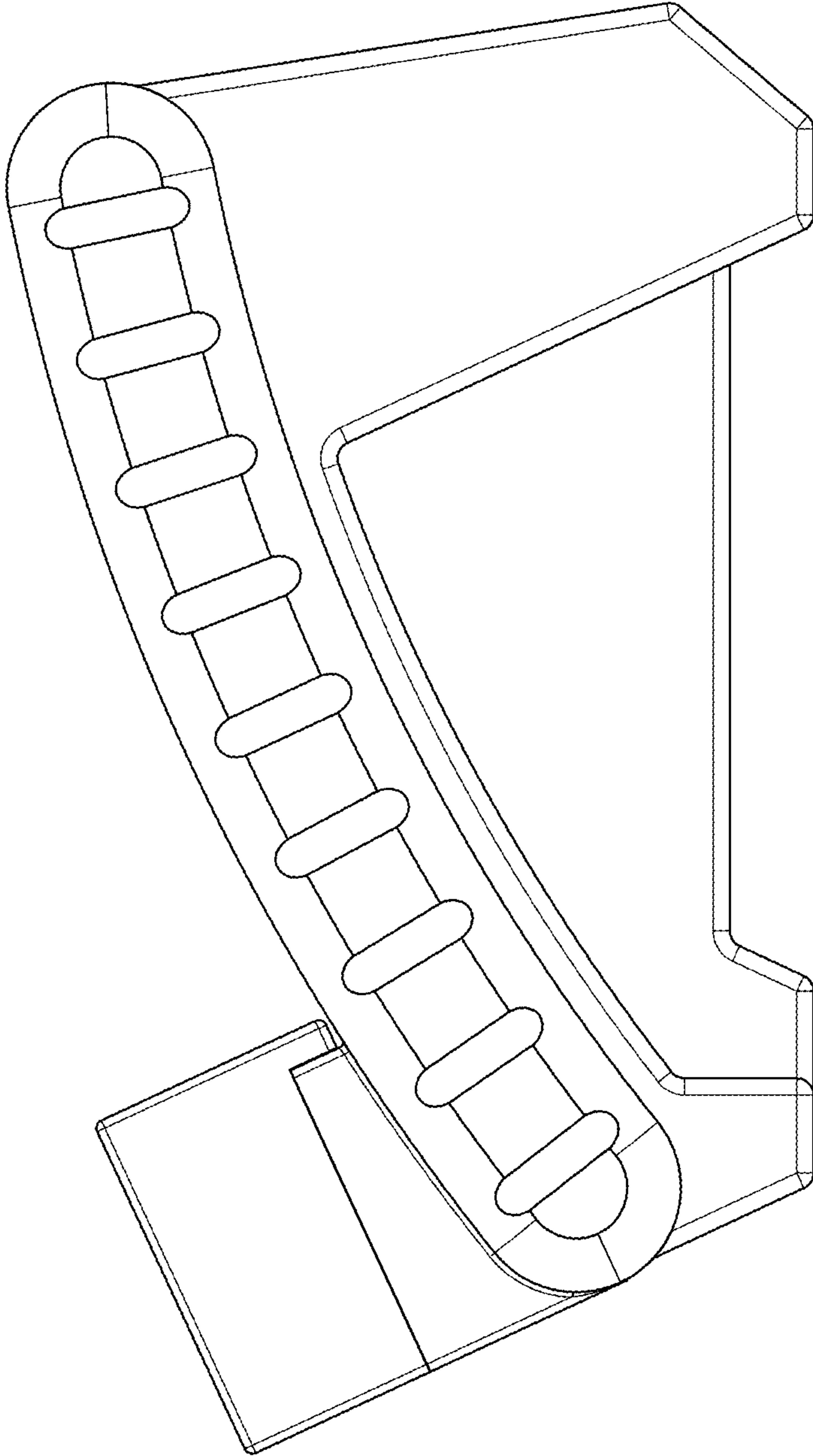


FIG. 5

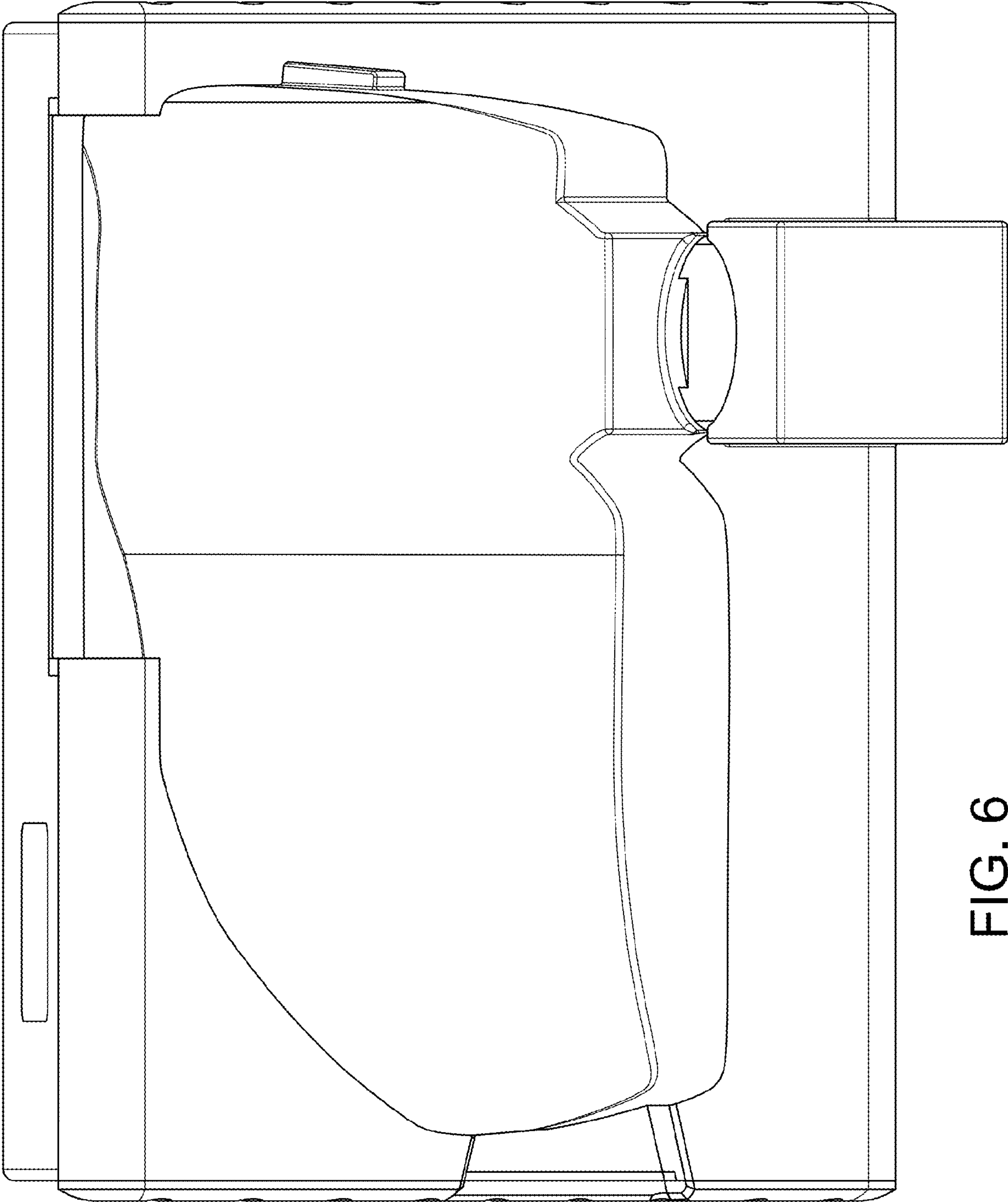


FIG. 6

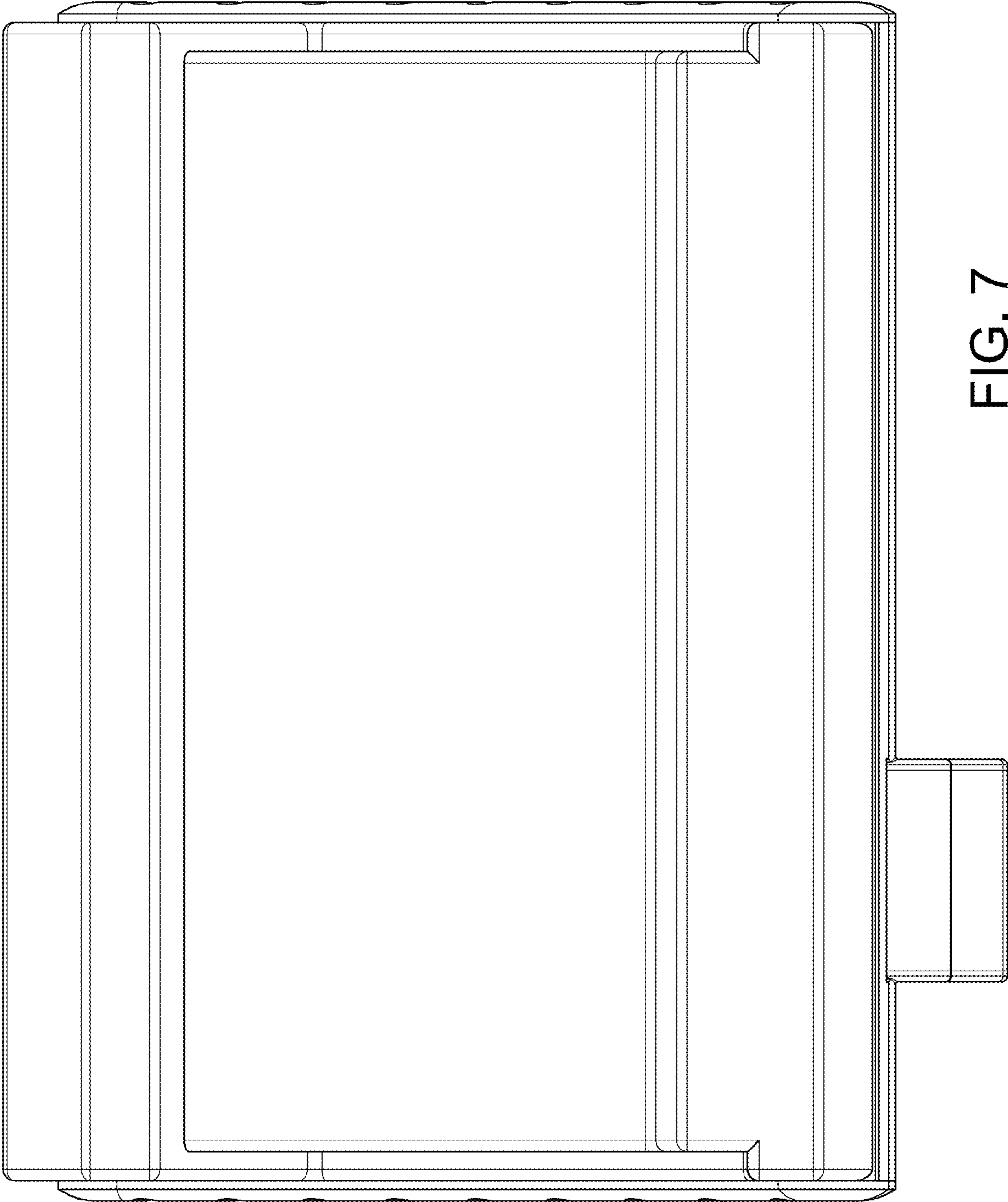


FIG. 7

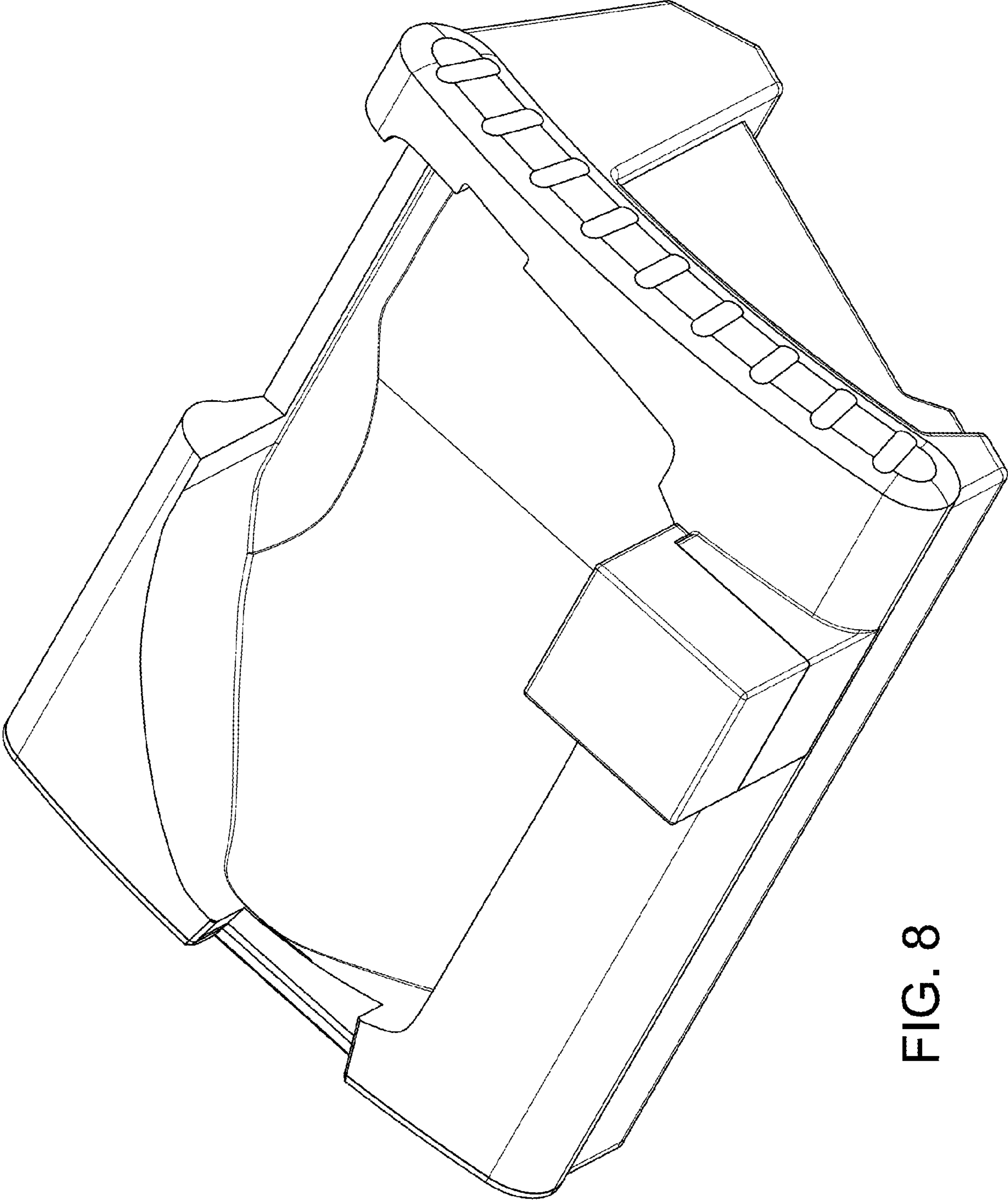


FIG. 8

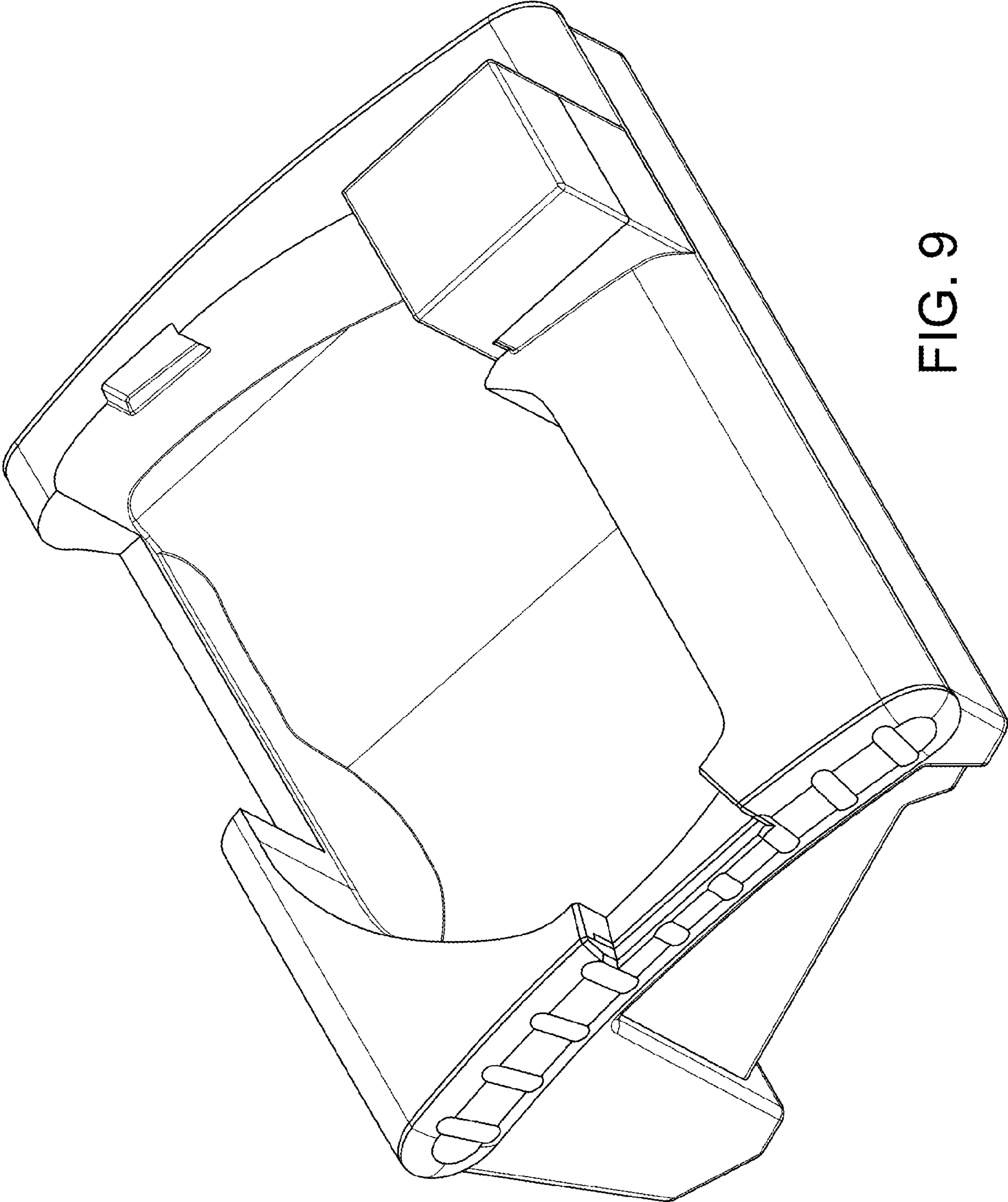


FIG. 9

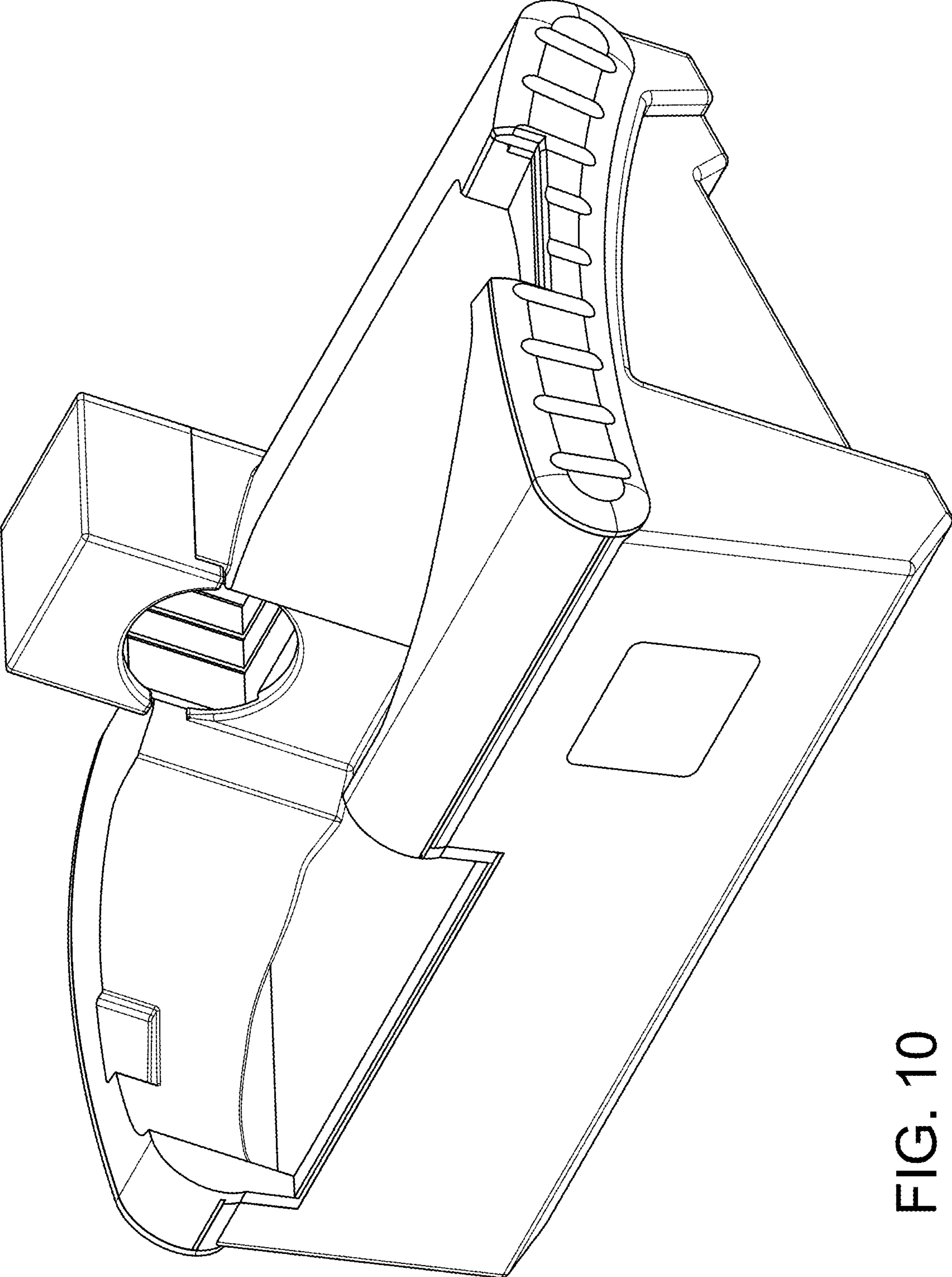


FIG. 10