



US00D980728S

(12) **United States Design Patent**
Lee

(10) **Patent No.:** **US D980,728 S**
(45) **Date of Patent:** **** Mar. 14, 2023**

(54) **COVER FOR TRACKING DEVICE**

(71) Applicant: **ELAGO COMPANY CO., LTD.**,
Goyang-si (KR)

(72) Inventor: **Chanwoo Lee**, Goyang-si (KR)

(73) Assignee: **ELAGO COMPANY CO., LTD.**,
Goyang-si (KR)

(**) Term: **15 Years**

(21) Appl. No.: **29/800,293**

(22) Filed: **Jul. 20, 2021**

(51) **LOC (14) Cl.** **10-04**

(52) **U.S. Cl.**
USPC **D10/74**

(58) **Field of Classification Search**
USPC D10/121, 38, 32, 31, 70, 104.1, 106.1;
D14/203.5, 203.1, 203.6, 344, 471, 385;
D3/218, 215, 207, 208; D6/513
CPC A45C 11/321
See application file for complete search history.

(56) **References Cited**

U.S. PATENT DOCUMENTS

D252,323 S *	7/1979	Molenaar	D3/207
D322,370 S *	12/1991	Cross	D10/74
D325,225 S	4/1992	Adhida		
5,207,426 A	5/1993	Inoue et al.		
D417,665 S *	12/1999	Isonaga	D21/328
D568,883 S *	5/2008	Ashida	D21/333

(Continued)

FOREIGN PATENT DOCUMENTS

CN	2153400 Y	1/1994
CN	305689724	4/2020

(Continued)

OTHER PUBLICATIONS

Elago W5 Case Keychain Compatible with Apple AirTags, Classic Handheld Gaming Console Design, first available date Sep. 27,

2021, (online) URL: https://www.amazon.com/elago-Keychain-Compatible-Apple-AirTags/dp/B09HBMWM9S/ref=asc_df_B09HBMWM9S/ (Year: 2021).*

(Continued)

Primary Examiner — Nicole C Shiflet

Assistant Examiner — Antoinette Martine Suiter

(74) *Attorney, Agent, or Firm* — Paratus Law Group, PLLC

(57) **CLAIM**

The ornamental design for a cover for tracking device, as shown and described.

DESCRIPTION

FIG. 1 is a front, top, and right side perspective view of a cover for tracking device, showing my design;

FIG. 2 is a front view thereof;

FIG. 3 is a back view thereof;

FIG. 4 is a left side view thereof;

FIG. 5 is a right side view thereof;

FIG. 6 is a top view thereof;

FIG. 7 is a bottom view thereof;

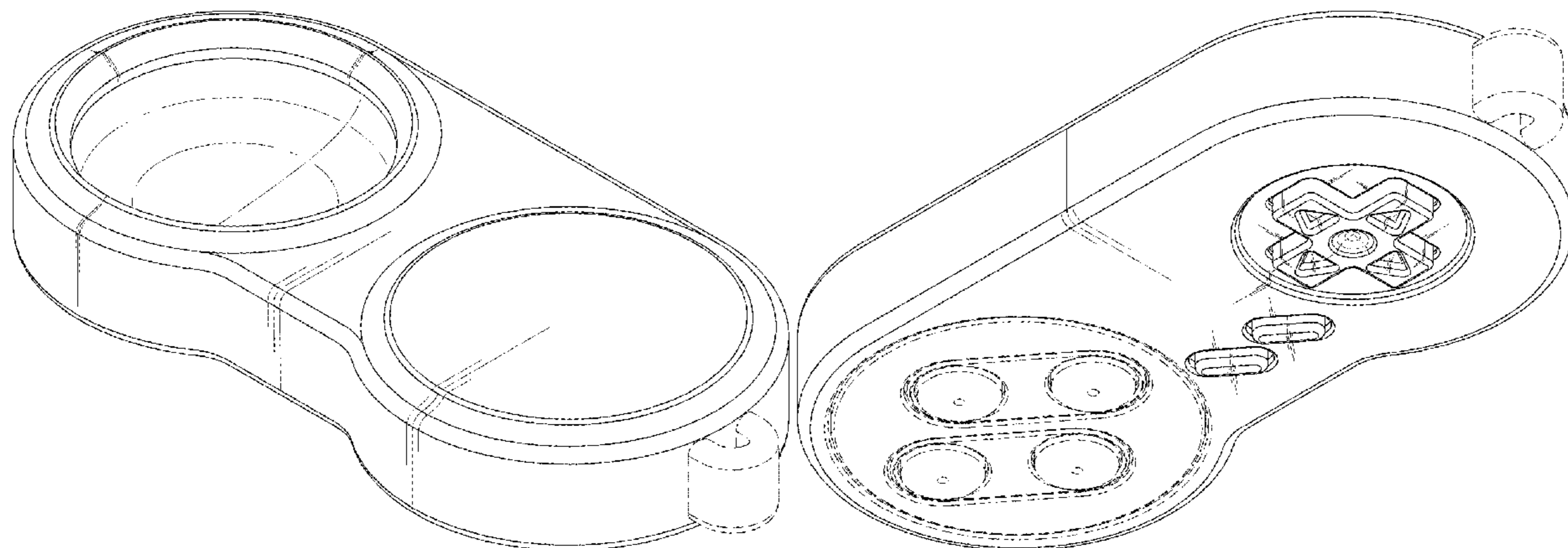
FIG. 8 is an enlarged sectional view thereof taken in the direction of line 8-8 shown in FIG. 6;

FIG. 9 is a rear, bottom, and right side perspective view thereof; and,

FIG. 10 is a rear, top, and left side perspective view thereof in use.

The long dash short dash broken lines and arrows shown in FIG. 6 are used to identify the sectional view and form no part of the claimed design. The evenly spaced oblique parallel broken lines in FIG. 8 represent hatching lines and form no part of the claimed design. The evenly spaced broken lines shown in FIGS. 1-10 depict parts of the cover for tracking device or environment and form no part of the claimed design.

1 Claim, 7 Drawing Sheets



(56)

References Cited

U.S. PATENT DOCUMENTS

D570,349 S * 6/2008 Ashida D21/333
 D578,432 S * 10/2008 Weyer D11/221
 D614,705 S 4/2010 Biheller
 D619,499 S * 7/2010 Weyer D11/221
 D653,564 S * 2/2012 Eida D10/32
 D683,637 S * 6/2013 Hanada D10/70
 D707,442 S * 6/2014 Ventrello D3/208
 D708,974 S * 7/2014 Dauwalter, III D10/104.1
 D712,135 S * 9/2014 Huang D3/218
 8,821,284 B2 9/2014 Jennings et al.
 D720,342 S 12/2014 Starrett et al.
 D730,761 S * 6/2015 Spaeth D10/70
 D750,516 S * 3/2016 Myers D3/218
 D764,461 S * 8/2016 Romanoff et al.
 D810,593 S * 2/2018 Liu D10/70
 D815,967 S 4/2018 Ramasarma et al.
 D815,968 S 4/2018 Ramasarma et al.
 D826,989 S * 8/2018 Lim G06F 1/1613
 D829,121 S 9/2018 Colasse
 D836,472 S 12/2018 Zhiyuan
 D844,971 S * 4/2019 Laurans D3/207
 D861,332 S * 10/2019 Shin D3/218

D870,207 S 12/2019 Ali et al.
 D889,288 S 7/2020 Lange et al.
 D904,386 S * 12/2020 Luo D3/218
 D908,801 S 1/2021 Lee
 D924,709 S * 7/2021 Marx D10/70
 D943,270 S * 2/2022 Carson D3/207
 D947,061 S * 3/2022 Deng D21/468
 D949,553 S * 4/2022 Akana D3/215
 D950,236 S * 5/2022 Akana D3/215
 D953,014 S * 5/2022 Akana D3/215
 D955,243 S * 6/2022 Lee D10/70
 D957,970 S * 7/2022 Lee D10/74

FOREIGN PATENT DOCUMENTS

CN	306262643	1/2021
GB	2040541	10/1994
KR	301115791.0000	6/2021

OTHER PUBLICATIONS

Miniature Retro Gaming Collectables © Target, 8 Bit Flashback, YouTube, publication date Oct. 2, 2018, (online) URL:https://www.youtube.com/watch?v=dh_X7XTcSAo (Year: 2018).*

* cited by examiner

FIG. 1

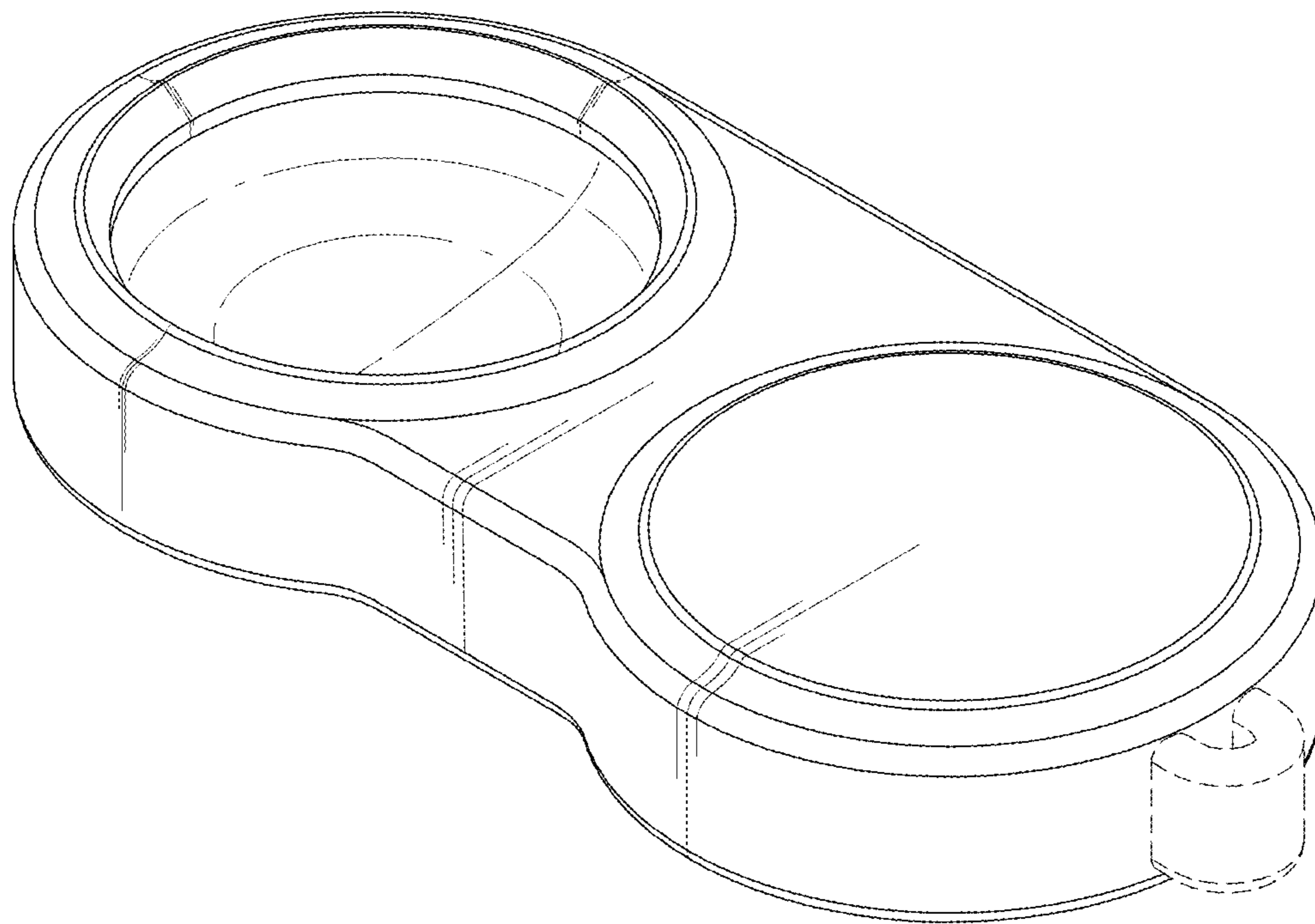


FIG. 2

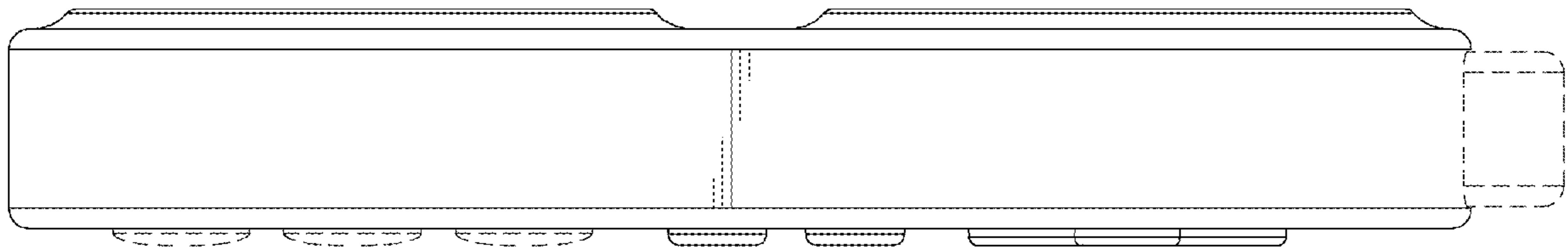


FIG. 3

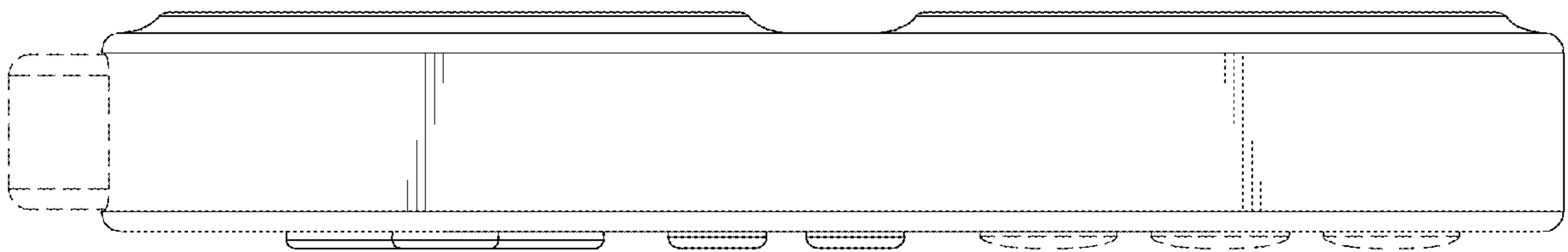


FIG. 4

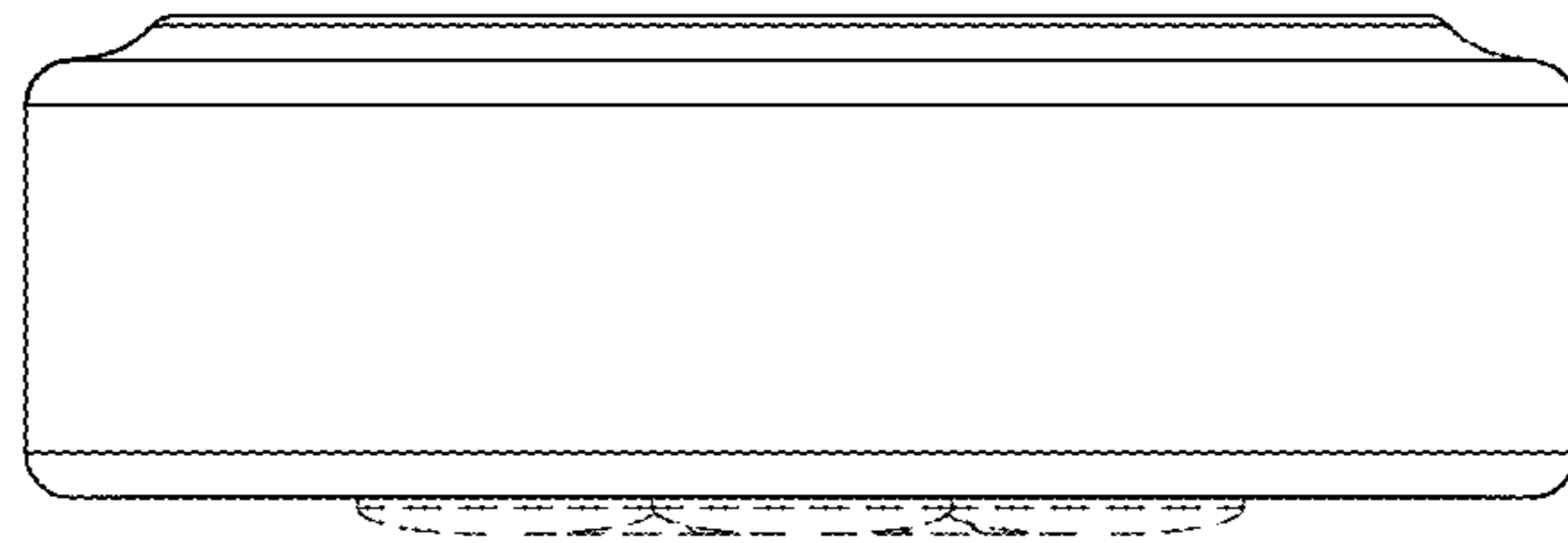


FIG. 5

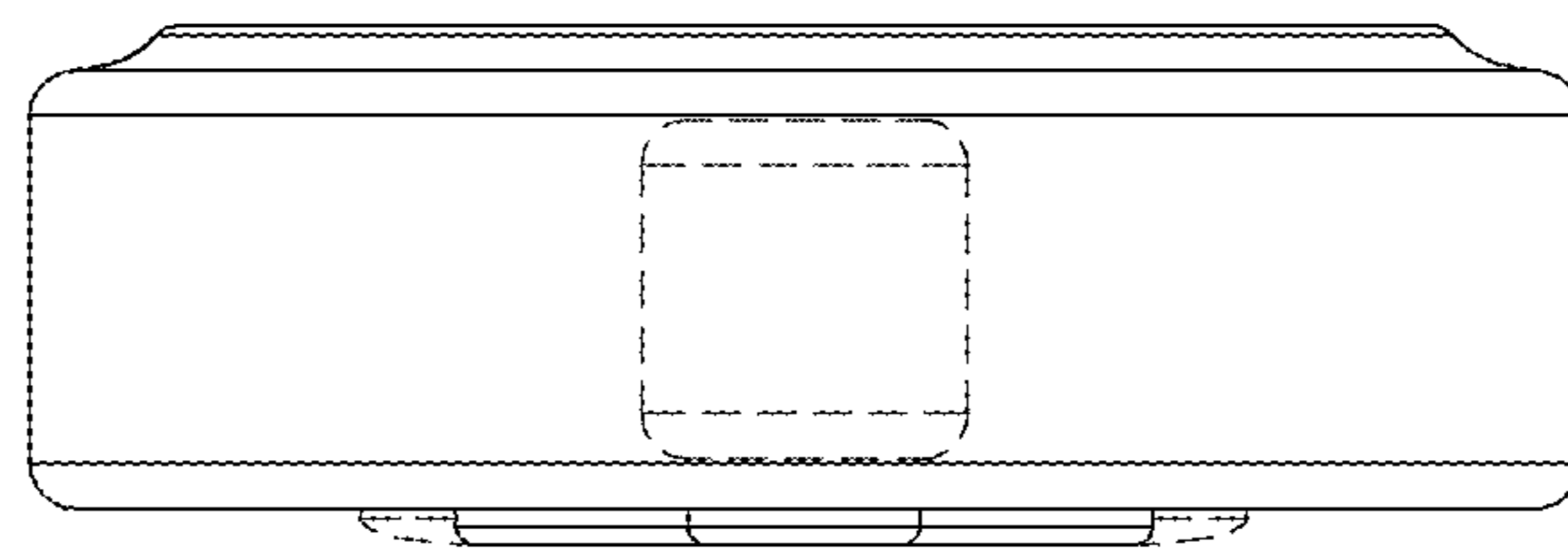


FIG. 6

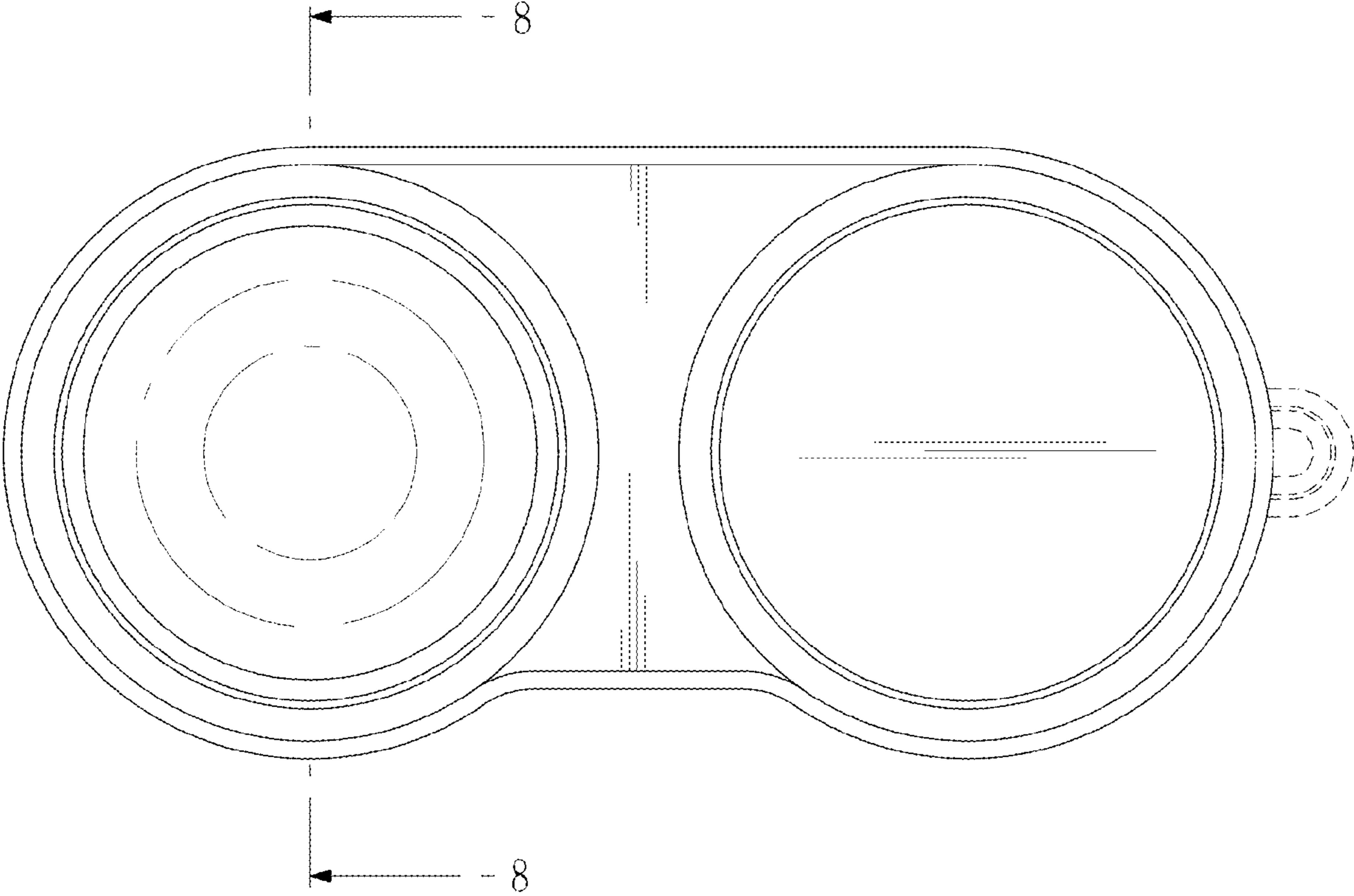


FIG. 7

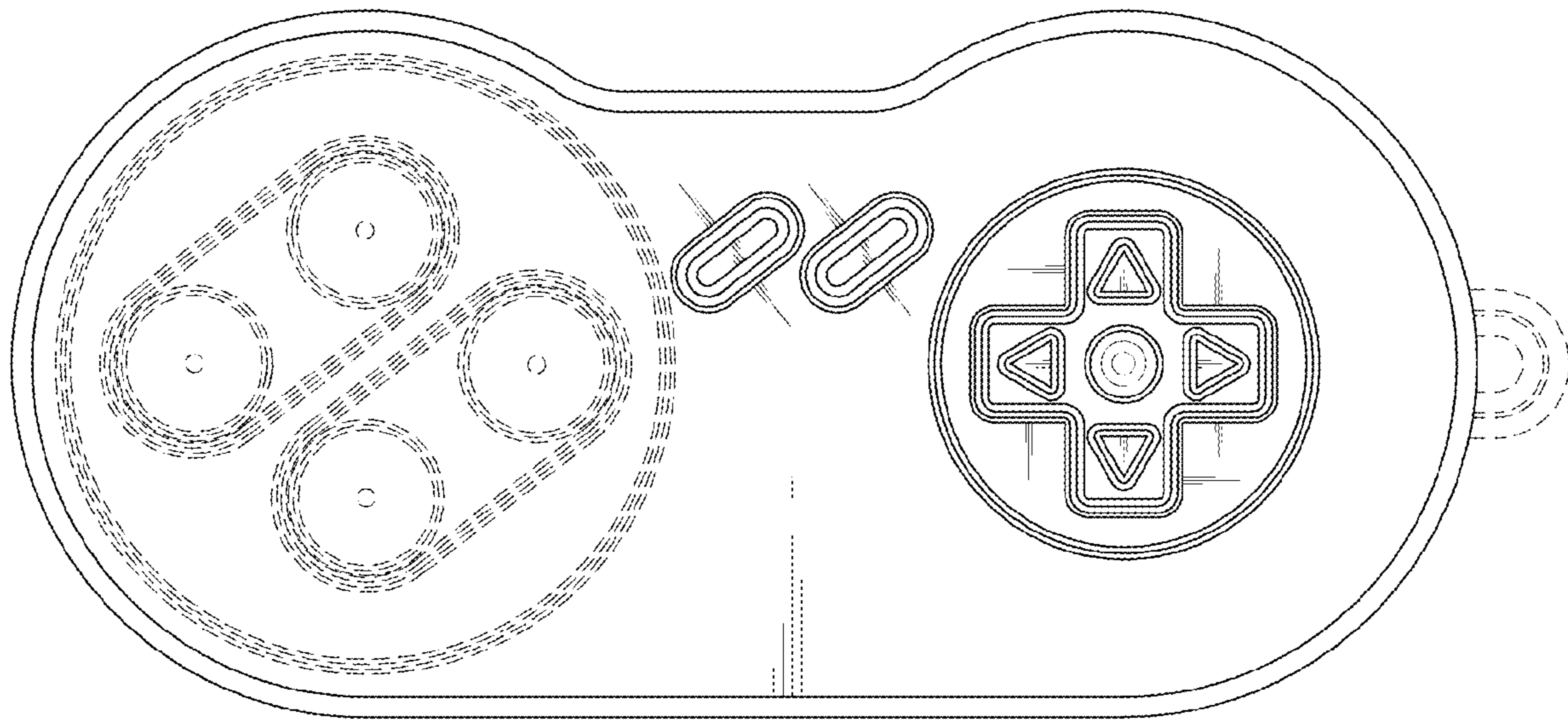


FIG. 8

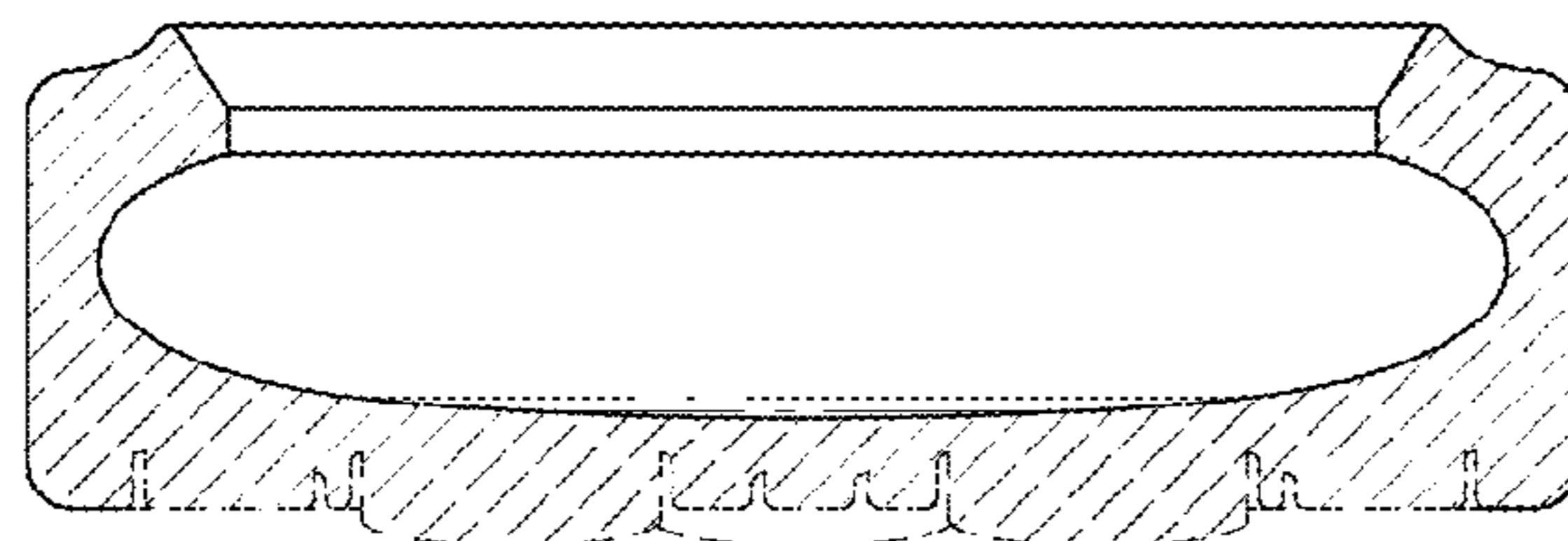


FIG. 9

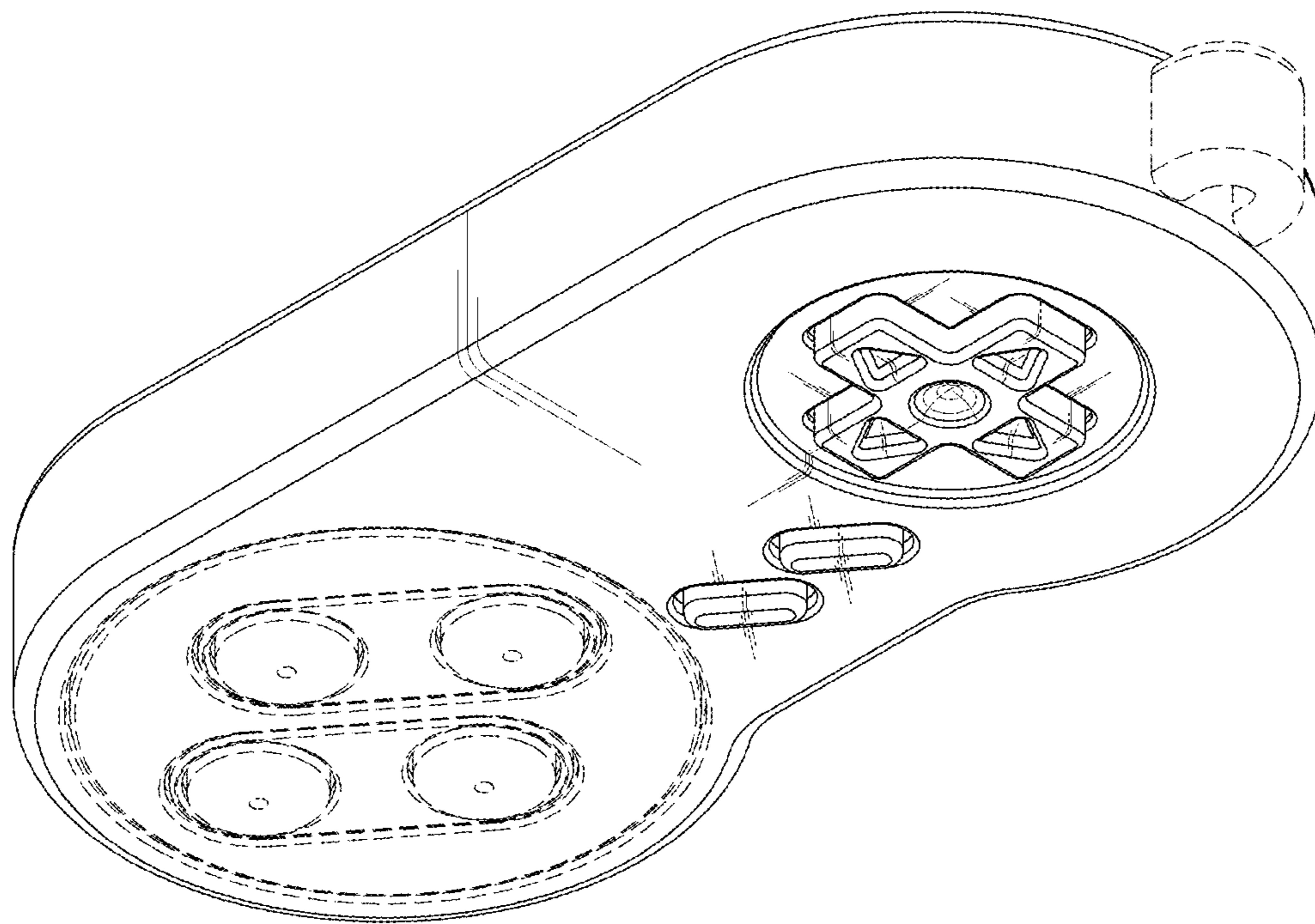


FIG. 10

