



US00D980727S

(12) **United States Design Patent**  
**Qiao**

(10) **Patent No.:** **US D980,727 S**  
(45) **Date of Patent:** **\*\* Mar. 14, 2023**

- (54) **ELECTRONIC TAPE MEASURE**
- (71) Applicant: **Xi Lu Qiao**, Guangzhou Guangdong (CN)
- (72) Inventor: **Xi Lu Qiao**, Guangzhou Guangdong (CN)
- (73) Assignee: **REESTAR INTERNATIONAL LIMITED**, Kowloon (HK)
- (\*\*) Term: **15 Years**
- (21) Appl. No.: **29/857,126**
- (22) Filed: **Oct. 20, 2022**
- (51) **LOC (14) Cl.** ..... **10-04**
- (52) **U.S. Cl.**  
USPC ..... **D10/70**
- (58) **Field of Classification Search**  
USPC ..... D10/70–74, 46, 65, 66–69, 80  
CPC .... G01B 2003/1035; G01B 2003/1012; G01B 3/1041; G01B 3/1089; G01B 3/1056; G01B 3/1043; G01B 3/1005; G01B 3/102; G01B 3/56; G01B 5/0009; G01B 3/1084; G01B 3/12; G01B 7/026; G01B 3/1069; G01B 2003/1053; G01B 3/1061; G01B 3/1094; G01B 3/1003; G01B 3/1046; G01B 3/1007; G01B 2003/1033; B43L 7/10; B43L 7/0275; B43L 7/12; B27B 27/08; B23D 47/02; G01D 5/12  
See application file for complete search history.

- D706,147 S \* 6/2014 Wingate ..... D10/70
  - D720,637 S \* 1/2015 Au Yeung ..... D10/70
  - D731,335 S \* 6/2015 Rhoden ..... D10/72
  - D935,919 S \* 11/2021 Ney ..... D10/72
  - D941,689 S \* 1/2022 Park ..... D10/72
- (Continued)

**FOREIGN PATENT DOCUMENTS**

- CN 305955354 \* 9/2019
  - CN 305696151 \* 10/2019
- (Continued)

**OTHER PUBLICATIONS**

Gatortape, Precision Top Reading Tape Measure, Date first available Mar. 21, 2022, [online]retrieved Dec. 6, 2022,available from <https://www.amazon.com/DP/B09K5R4CZJ> (Year: 2022).\*

(Continued)

*Primary Examiner* — Keli L Hill  
*Assistant Examiner* — Sara S Sahneh

(57) **CLAIM**

The ornamental design for an electronic tape measure, as shown and described.

**DESCRIPTION**

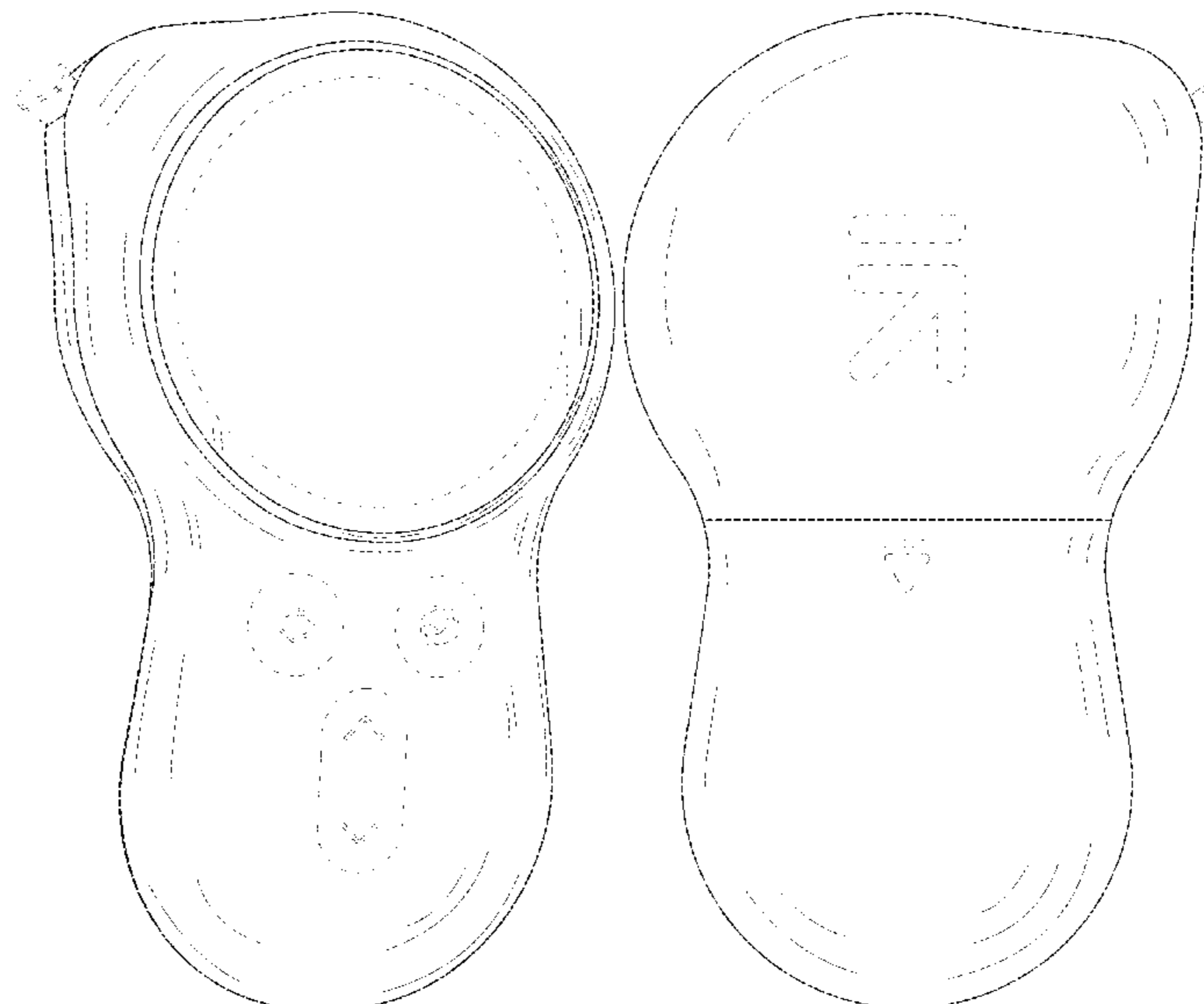
FIG. 1 is a perspective view of an electronic tape measure according to the present invention;  
FIG. 2 is a front elevation view thereof;  
FIG. 3 is a rear elevation view thereof;  
FIG. 4 is a left side view thereof;  
FIG. 5 is a right side view thereof;  
FIG. 6 is a top plan view thereof; and,  
FIG. 7 is a bottom plan view thereof.  
The broken lines shown are included for the purpose of illustrating portions of the electronic tape measure that form no part of the claimed design.

**1 Claim, 7 Drawing Sheets**

(56) **References Cited**

**U.S. PATENT DOCUMENTS**

- D506,939 S 7/2005 King
- D531,530 S \* 11/2006 Malard ..... D10/62
- D567,686 S 4/2008 Davies
- D594,355 S \* 6/2009 Levinson ..... D10/65
- D599,229 S 9/2009 Sun
- D659,564 S \* 5/2012 Baxter ..... D10/70



(56)

**References Cited**

U.S. PATENT DOCUMENTS

2004/0168335 A1\* 9/2004 Pritchard ..... B44D 3/38  
33/760  
2011/0239479 A1\* 10/2011 Chisholm ..... G01B 3/1084  
33/770  
2015/0308807 A1\* 10/2015 Rhoden ..... G01B 3/1061  
33/763  
2015/0330743 A1\* 11/2015 Kennedy ..... F41G 3/06  
42/111  
2021/0278190 A1\* 9/2021 Ney ..... G01B 3/1084

FOREIGN PATENT DOCUMENTS

CN 305876359 \* 3/2020  
EM 008632087-0001 \* 7/2021  
KR 301137739.0000 \* 9/2021

OTHER PUBLICATIONS

Laser Measurement Tool, Date first available Aug. 7, 2022,  
[online]retrieved Dec. 6, 2022, available from <https://www.amazon.com/DP/B0B7WDC3ND> (Year: 2022).\*

\* cited by examiner

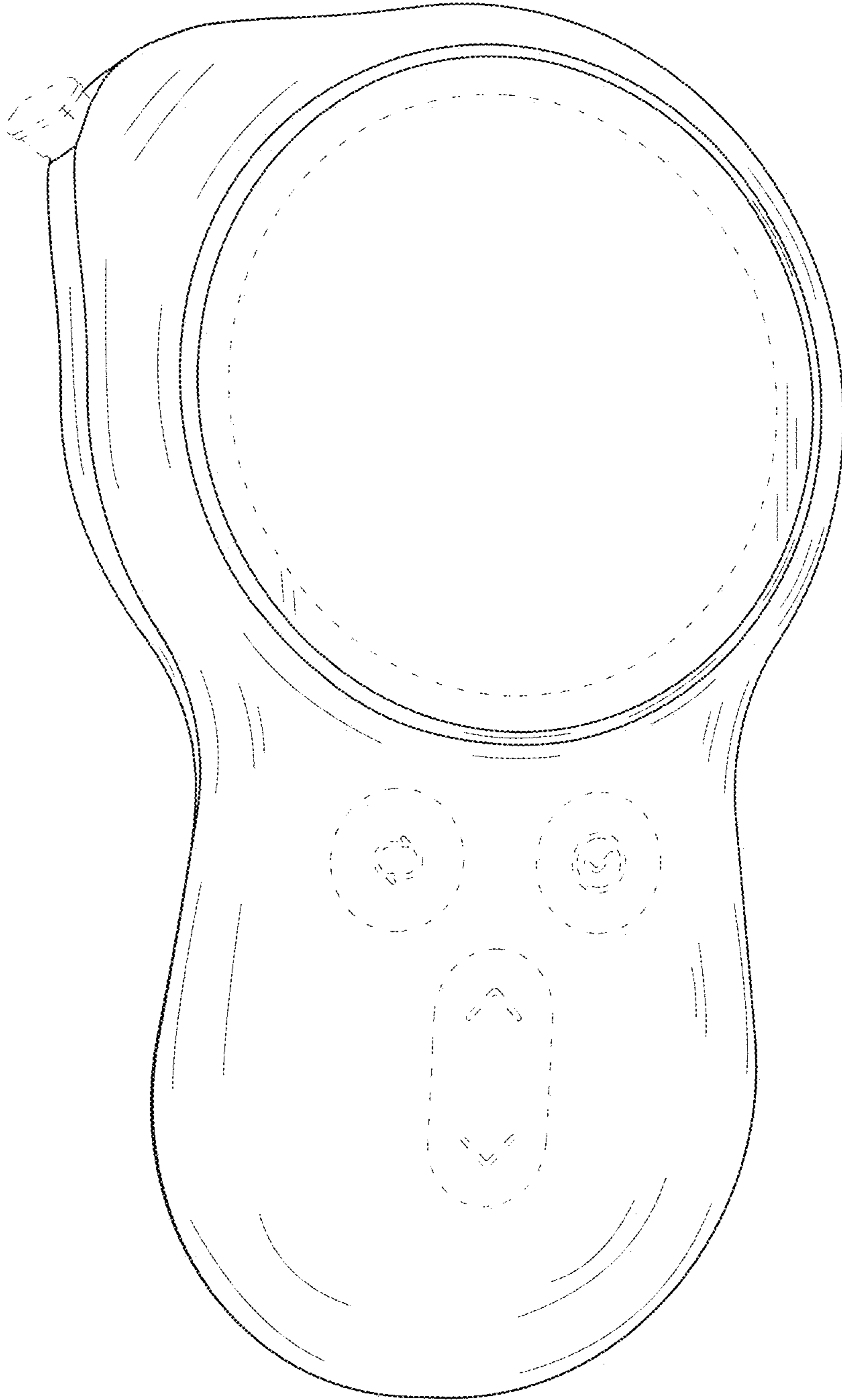


FIG. 1

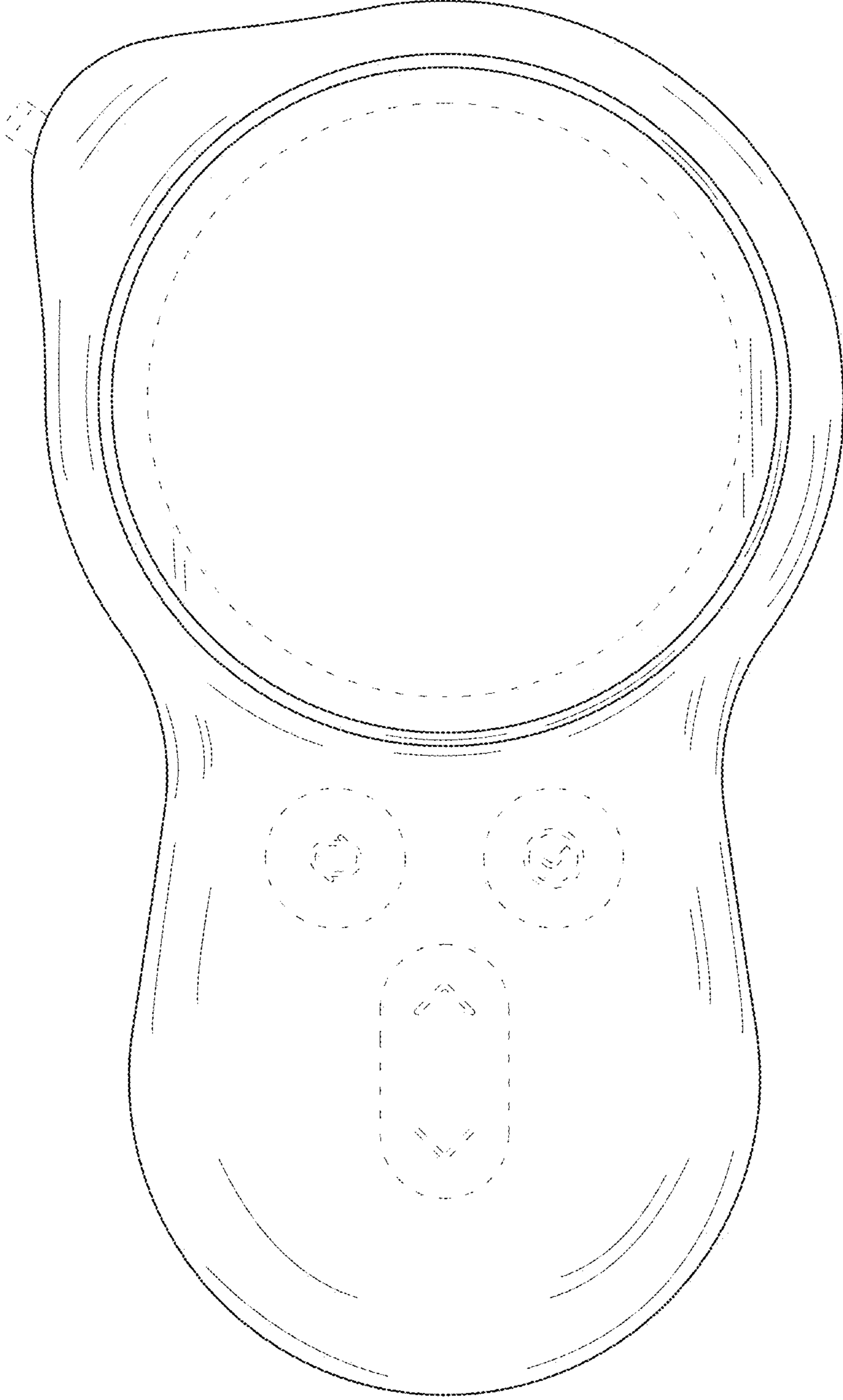


FIG. 2

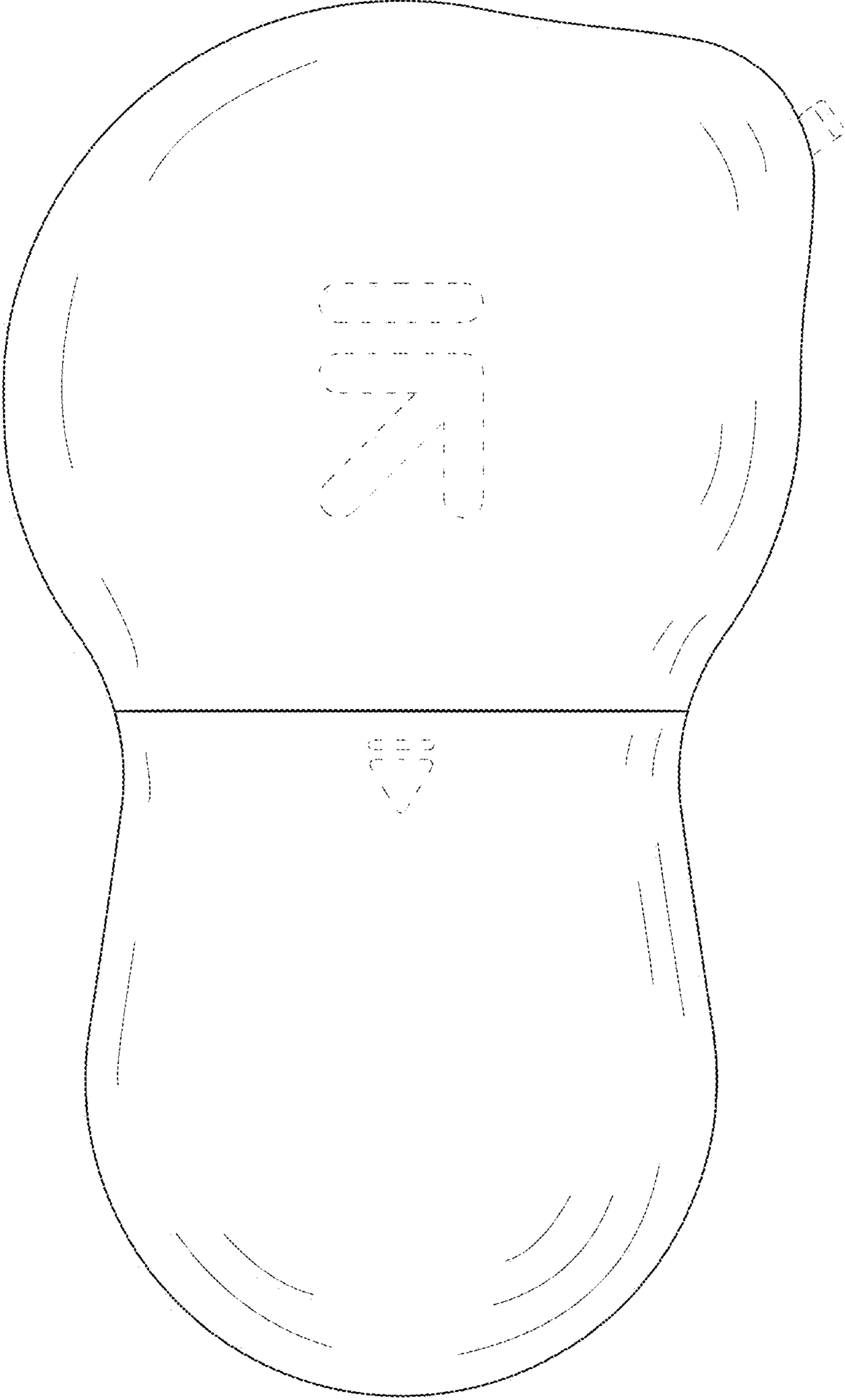


FIG. 3

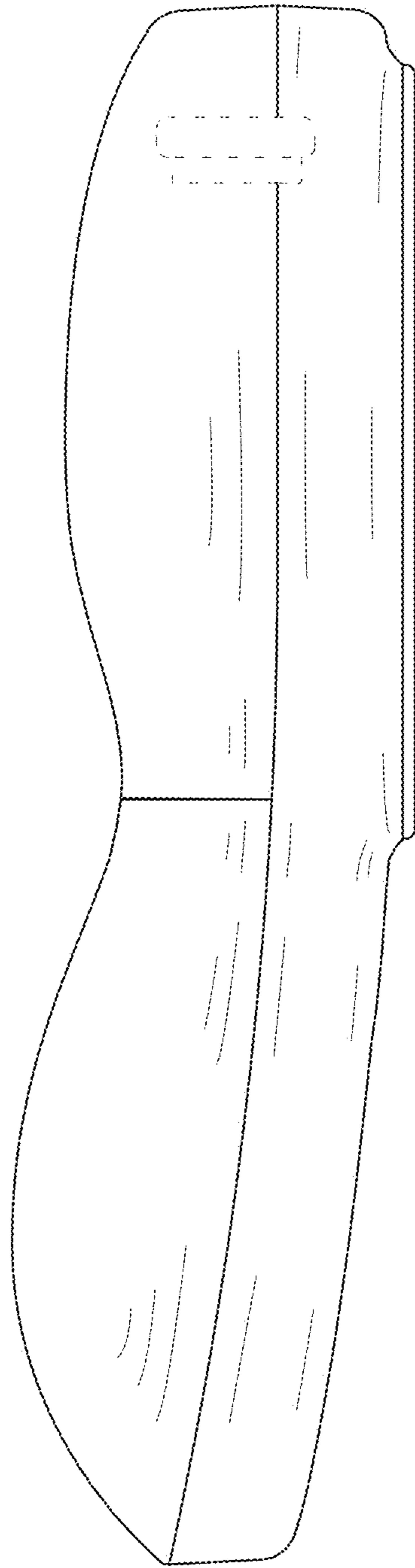


FIG. 4

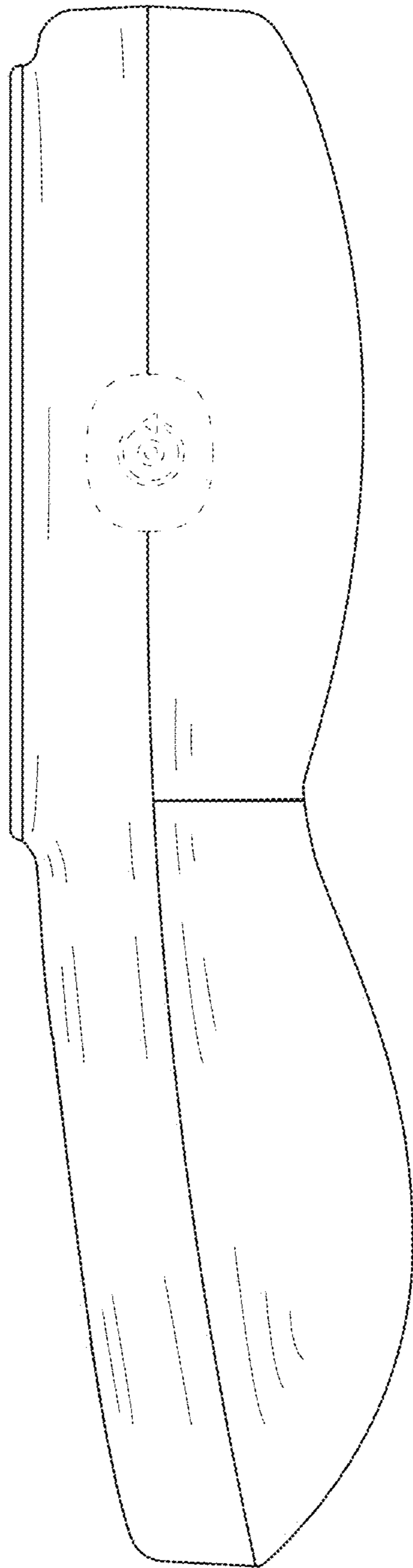


FIG. 5

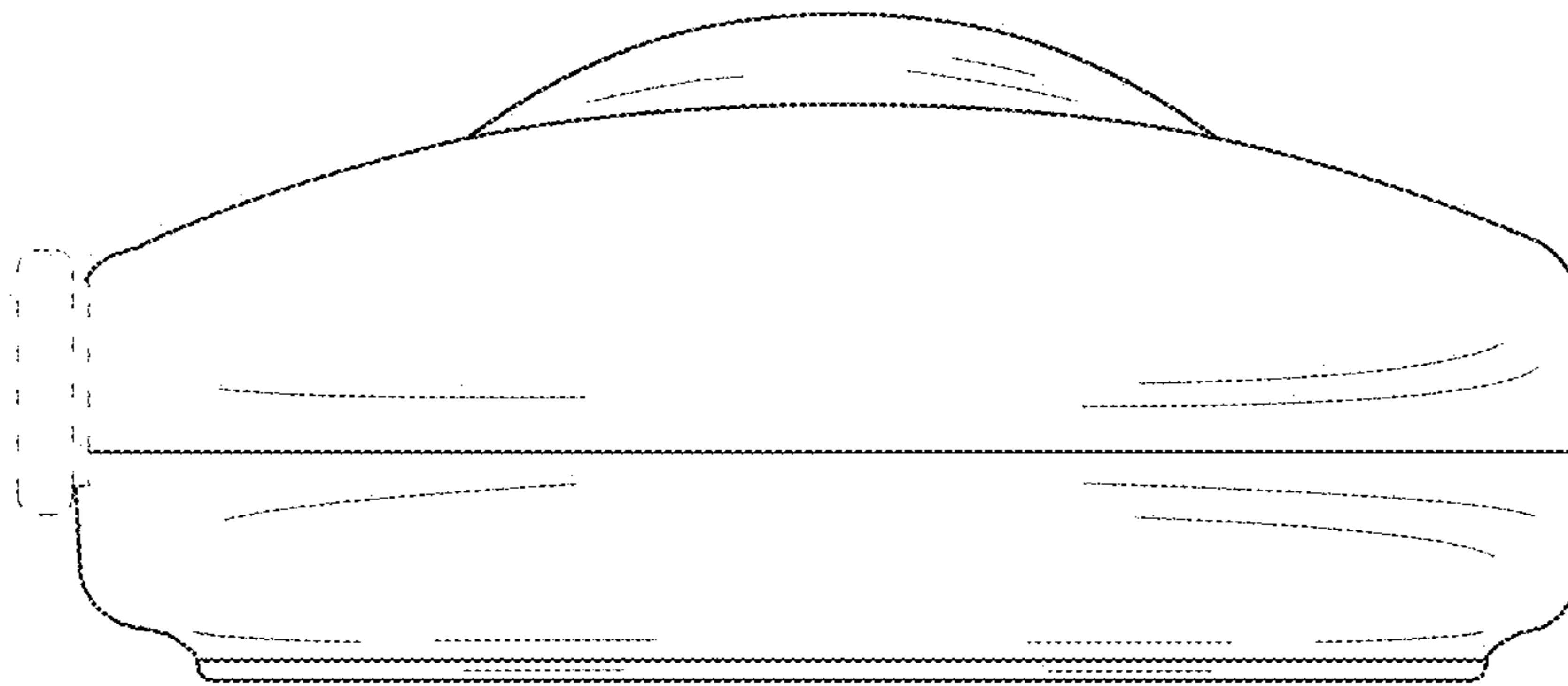


FIG. 6



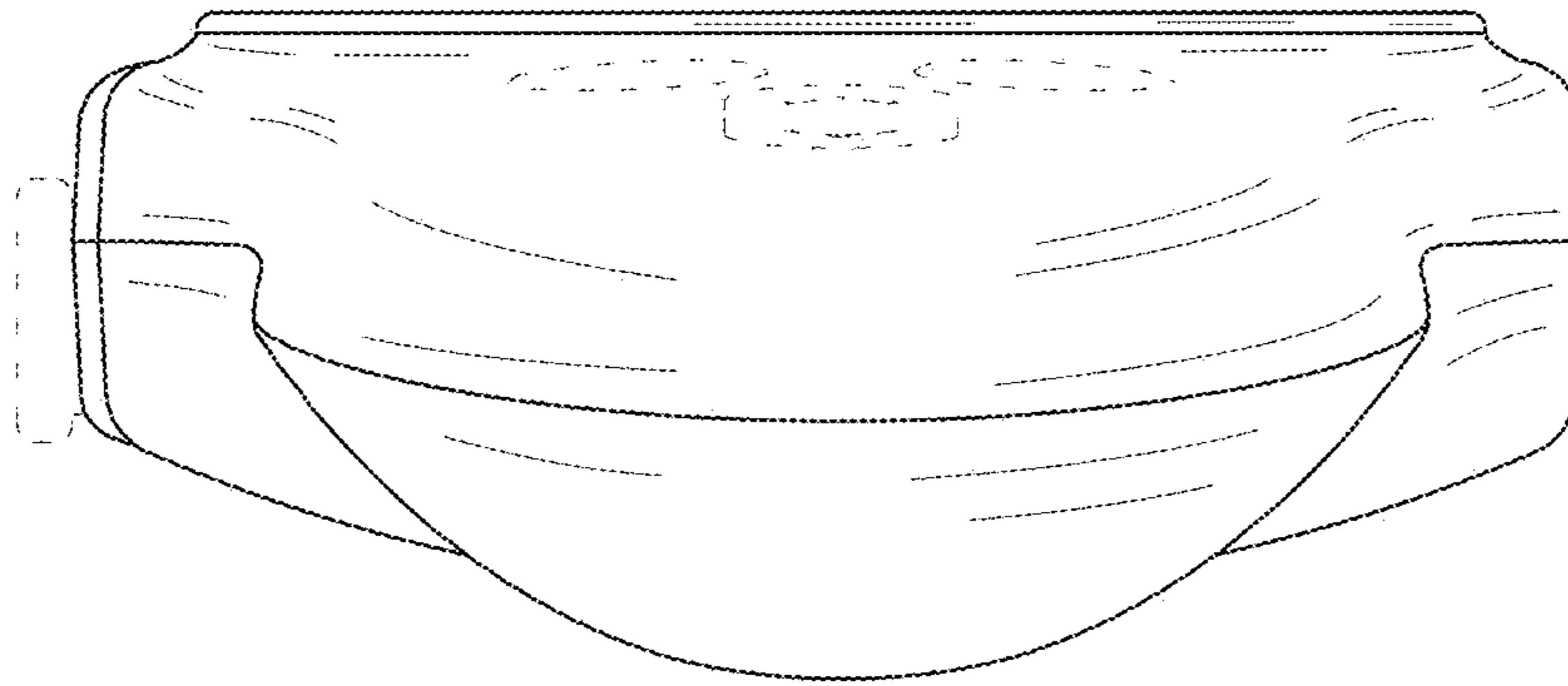


FIG. 7