



US00D980726S

(12) **United States Design Patent**  
**Clark**

(10) **Patent No.:** **US D980,726 S**  
(45) **Date of Patent:** **\*\* Mar. 14, 2023**

- (54) **MOBILE TAG DEVICE**
- (71) Applicant: **Hubbell Incorporated**, Shelton, CT (US)
- (72) Inventor: **Adam Joseph Clark**, Greenville, SC (US)
- (73) Assignee: **HUBBELL INCORPORATED**, Shelton, CT (US)
- (\*\*) Term: **15 Years**

8,405,503	B2	3/2013	Wong	
D695,640	S *	12/2013	George	H04R 1/44 D10/106.1
D697,825	S *	1/2014	Yang	D10/106.9
8,912,905	B2	12/2014	Wong	
9,414,456	B2	8/2016	Wong	
9,521,722	B2	12/2016	Wong	
D828,189	S *	9/2018	Benedetti	D10/70
D839,583	S *	2/2019	Cao	D3/201
D850,444	S *	6/2019	Mullins	D14/344
D861,332	S *	10/2019	Shin	D3/218
D917,431	S *	4/2021	Gao	D14/192
D933,351	S *	10/2021	Armstrong	D3/273

(Continued)

- (21) Appl. No.: **29/783,605**
- (22) Filed: **May 13, 2021**
- (51) **LOC (14) Cl.** ..... **10-04**
- (52) **U.S. Cl.**  
USPC ..... **D10/70**
- (58) **Field of Classification Search**  
USPC ..... D10/70, 97, 103, 104.1, 104.2, 106.1,  
D10/106.6, 106.9, 106.94, 106.95, 121;  
D3/201, 207, 208, 218, 273; D14/192,  
D14/344  
CPC ..... G08B 13/2434; G08B 21/0291; E05B  
73/0023; E05B 73/0041  
See application file for complete search history.

**OTHER PUBLICATIONS**

International Search Report and Written Opinion mailed in PCT/US2021/032346 dated Aug. 16, 2021 (15 pages).

*Primary Examiner* — George D. Kirschbaum  
*Assistant Examiner* — Lillian Windham  
(74) *Attorney, Agent, or Firm* — Wissing Miller LLP

(57) **CLAIM**

The ornamental design for a mobile tag device, as shown and described.

**DESCRIPTION**

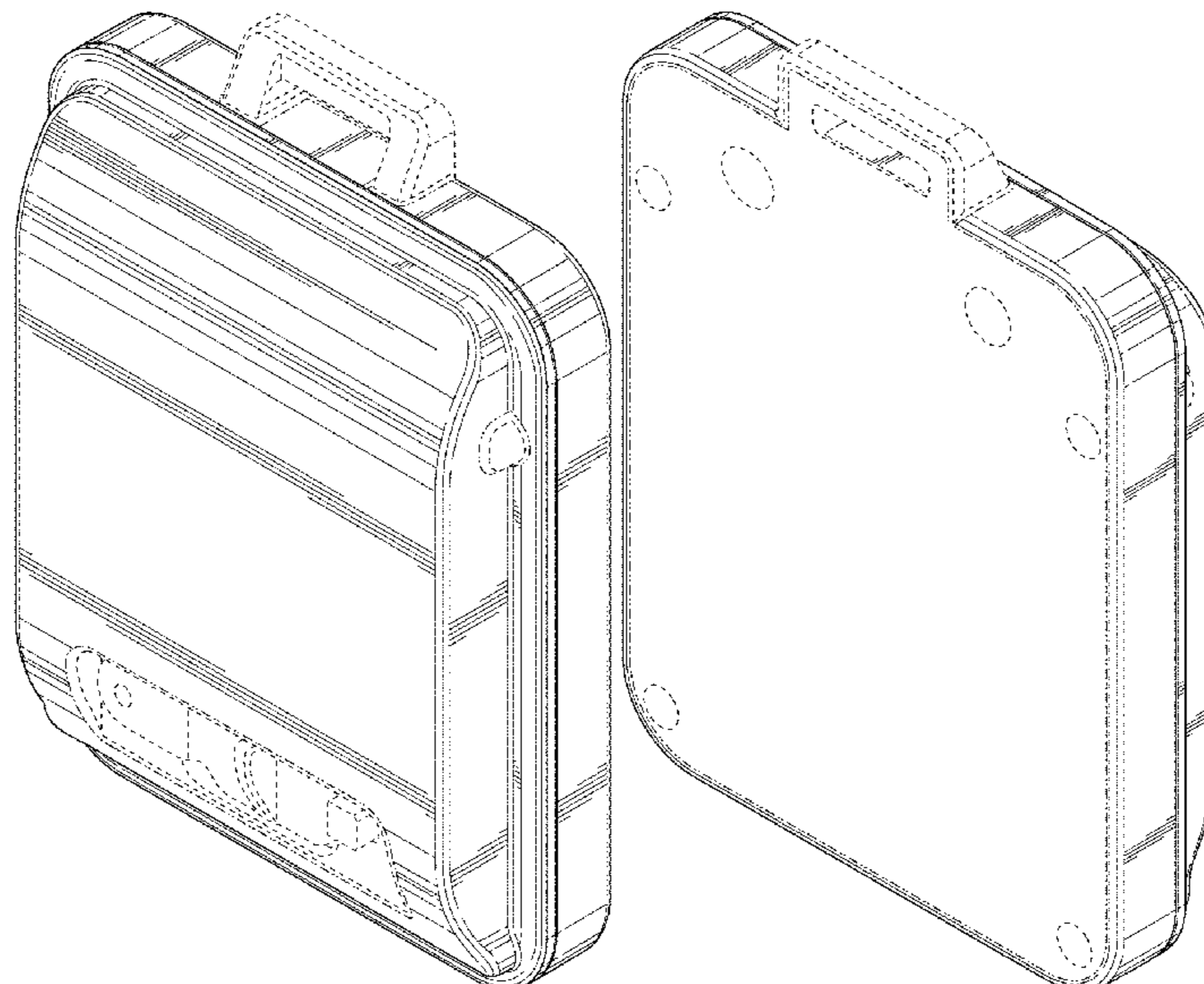
FIG. 1 is a front perspective view of the new design for a mobile tag device in accordance with the present invention; FIG. 2 is a rear perspective view thereof; FIG. 3 is a front elevation view thereof; FIG. 4 is a rear elevation view thereof; FIG. 5 is a first side elevation view thereof; FIG. 6 is a second side elevation view thereof; FIG. 7 is a top plan view thereof; and, FIG. 8 is a bottom plan view thereof. The broken lines illustrate portions of the mobile tag device that form no part of the claimed design.

**1 Claim, 8 Drawing Sheets**

(56) **References Cited**

**U.S. PATENT DOCUMENTS**

D259,864	S *	7/1981	Snyder	D10/116.1
D304,309	S *	10/1989	Vories	D10/106.1
D306,704	S *	3/1990	Mallory	D10/106.1
D333,633	S *	3/1993	Issa	D10/106.1
D344,905	S *	3/1994	Issa	D10/106.1
D347,593	S *	6/1994	Davis	D10/104.1
D348,622	S *	7/1994	Issa	D10/106.1
D374,830	S *	10/1996	Dexter	D10/103
D376,329	S *	12/1996	Youabian	D10/104.1
D409,374	S *	5/1999	Laba	D3/218
D517,311	S *	3/2006	Kim	D3/218
7,598,854	B2	10/2009	Wong	



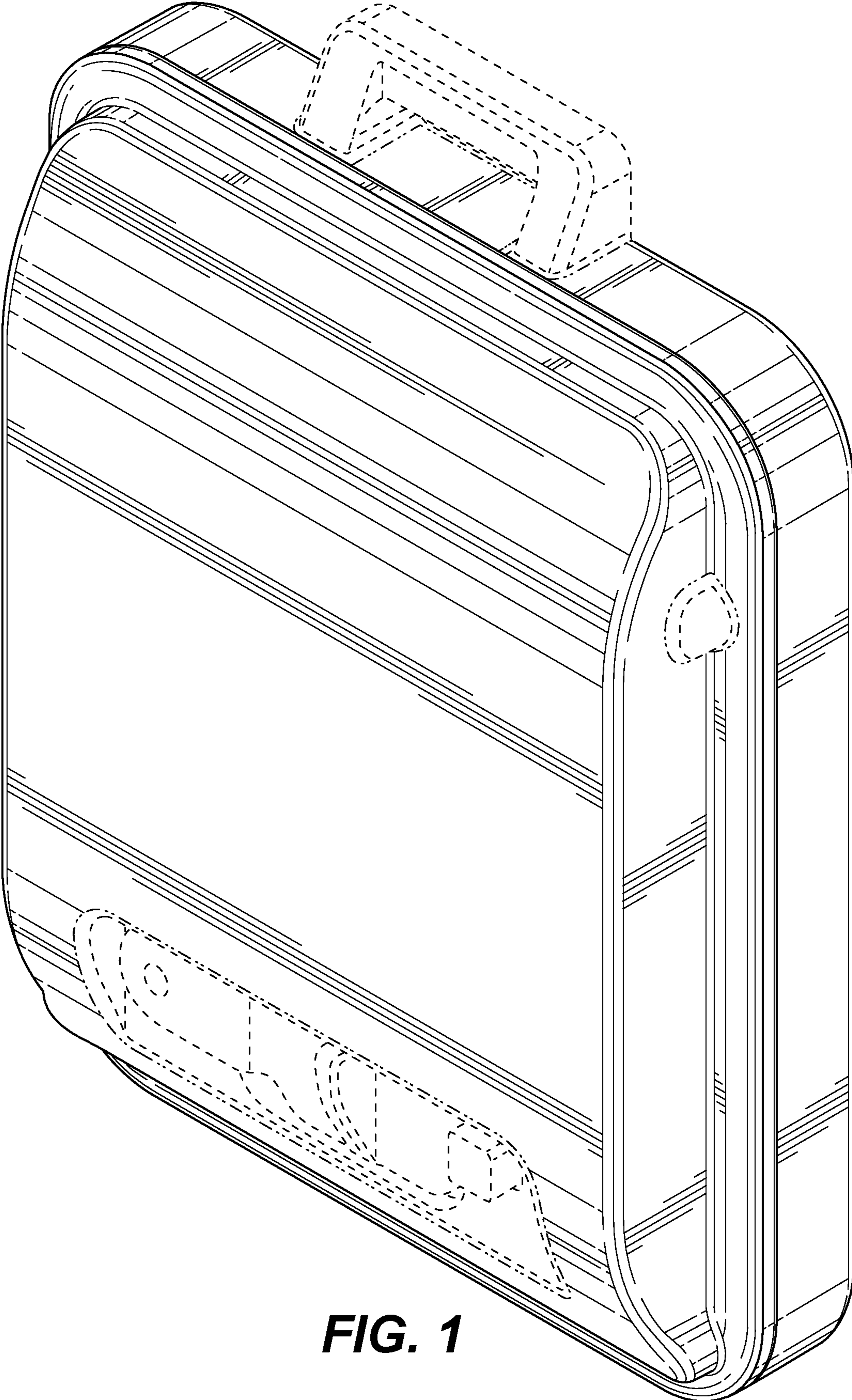
(56)

**References Cited**

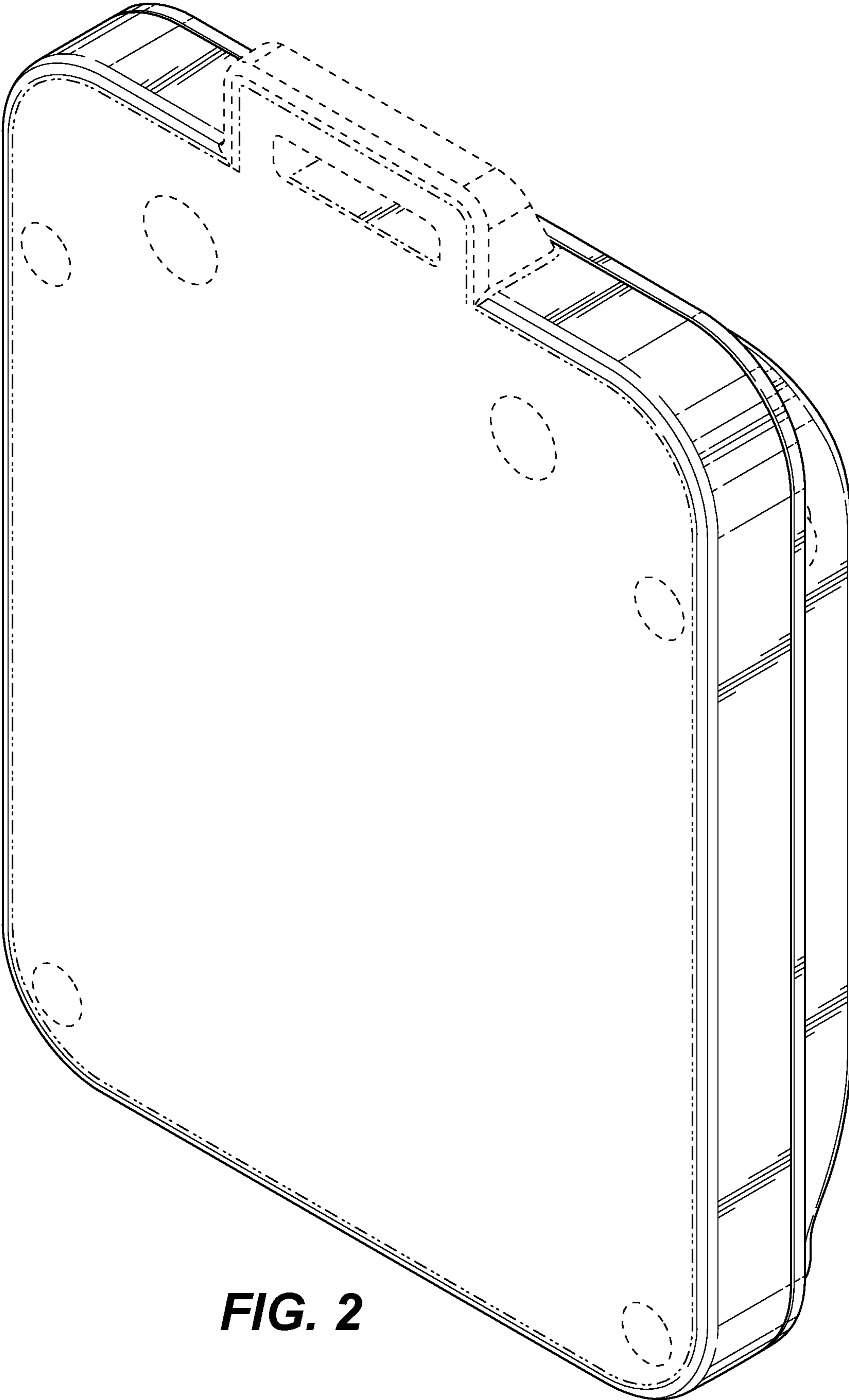
U.S. PATENT DOCUMENTS

D935,164 S	*	11/2021	Zhang .....	D3/201
D938,430 S	*	12/2021	Feng .....	D3/218
2006/0076381 A1		4/2006	Rodarte	
2007/0259690 A1		11/2007	Julian	
2013/0163196 A1		6/2013	Szczypinski	
2015/0201723 A1		7/2015	Rayner	
2020/0029814 A1		1/2020	Sheynblat	
2020/0106877 A1		4/2020	Ledvina	

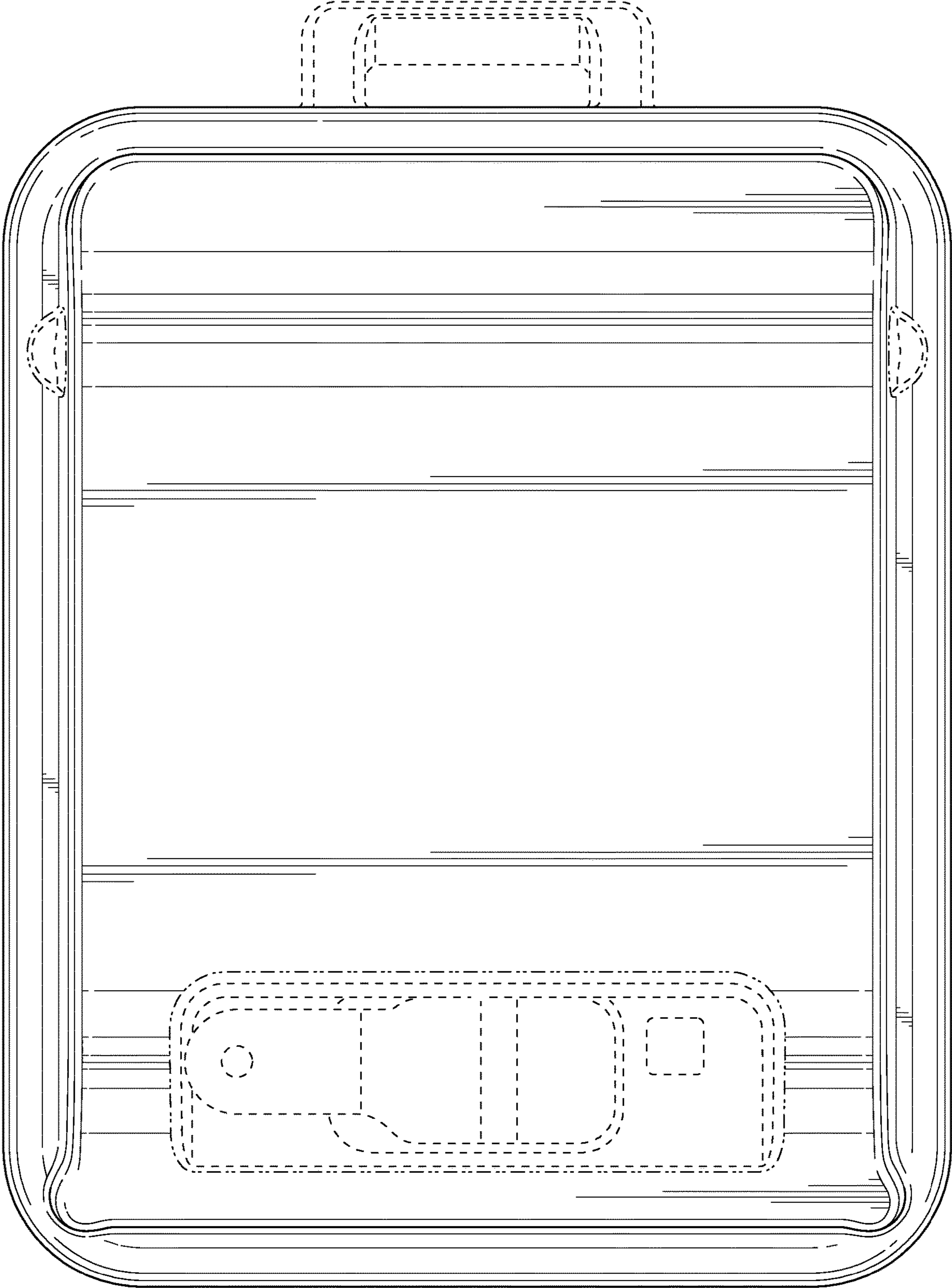
\* cited by examiner



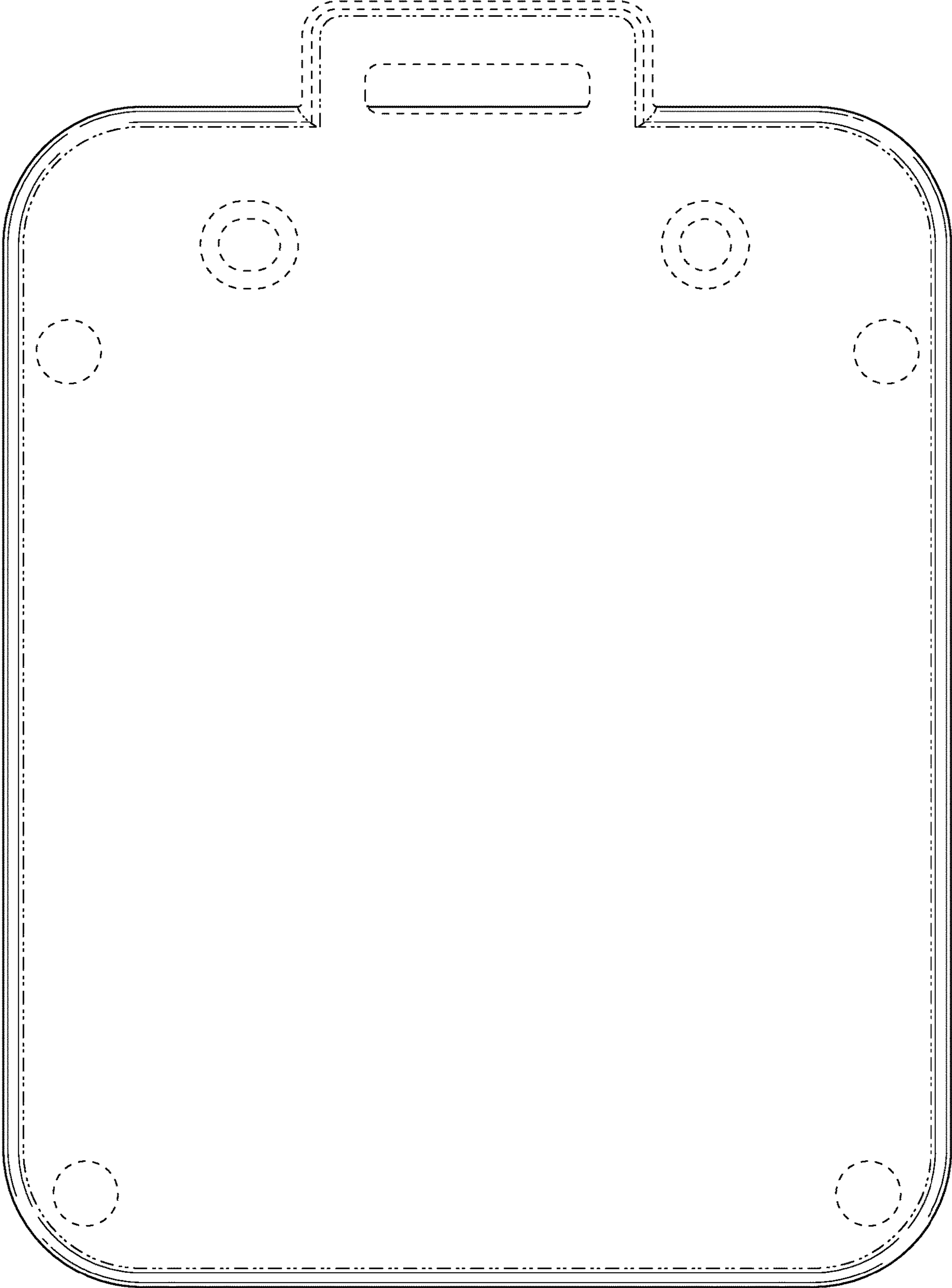
**FIG. 1**



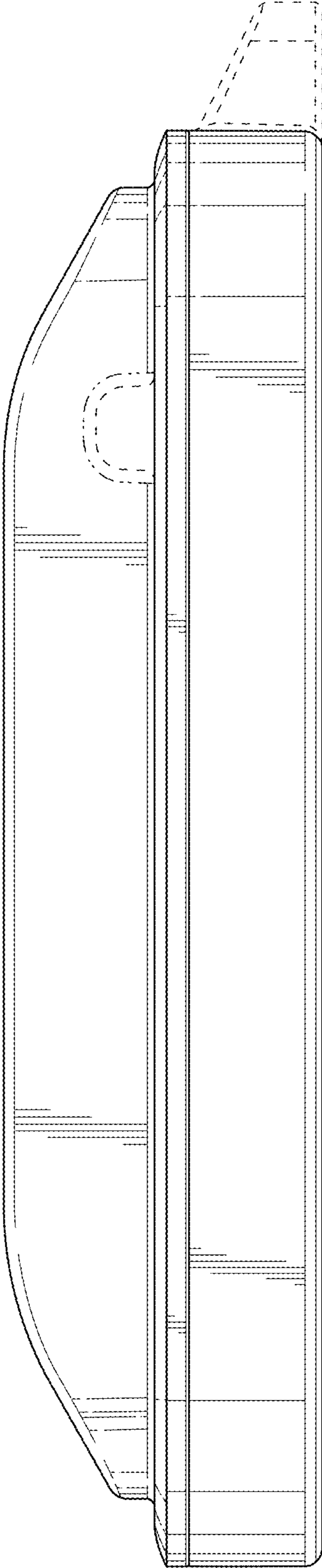
**FIG. 2**



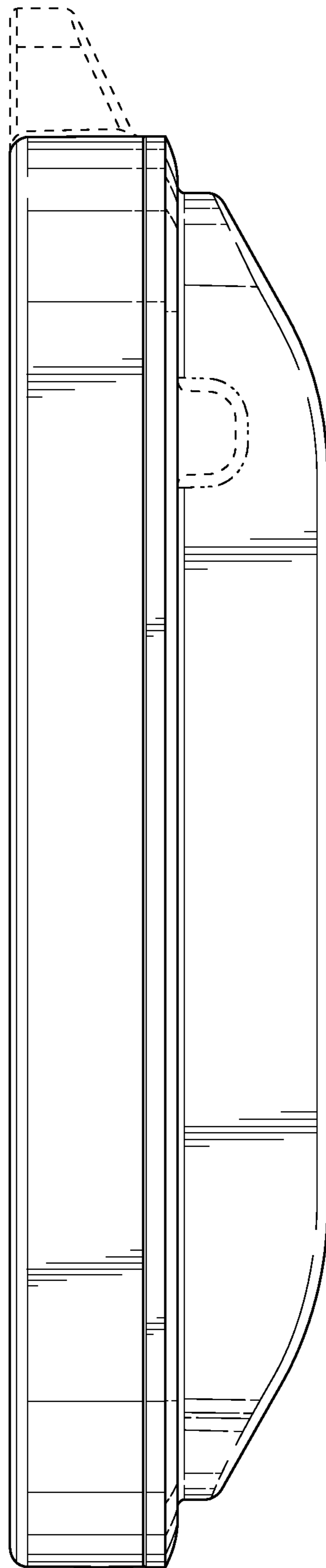
**FIG. 3**



**FIG. 4**

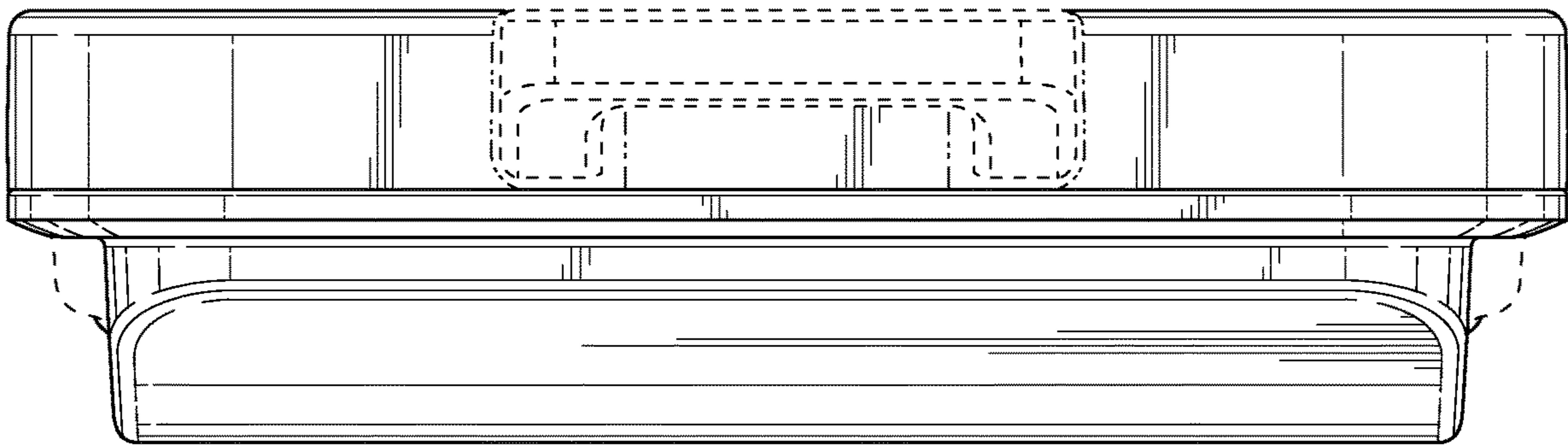


**FIG. 5**

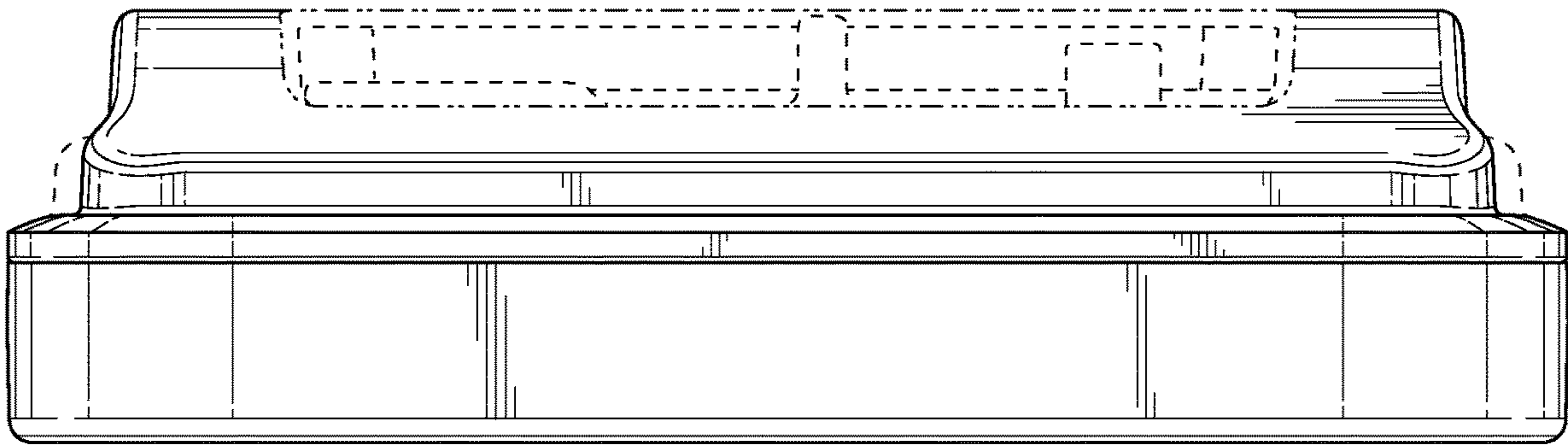


**FIG. 6**





**FIG. 7**



**FIG. 8**