



US00D980724S

(12) **United States Design Patent**
Kurani et al.

(10) **Patent No.:** **US D980,724 S**
(45) **Date of Patent:** **** Mar. 14, 2023**

(54) **FOLDABLE SQUARE SET**
(71) Applicants: **Hemal B. Kurani**, Sunnyvale, CA
(US); **Hetal B. Kurani**, Sunnyvale, CA
(US)

(72) Inventors: **Hemal B. Kurani**, Sunnyvale, CA
(US); **Hetal B. Kurani**, Sunnyvale, CA
(US)

(**) Term: **15 Years**

(21) Appl. No.: **29/725,891**

(22) Filed: **Feb. 27, 2020**

(51) **LOC (14) Cl.** **10-04**

(52) **U.S. Cl.**
USPC **D10/65**

(58) **Field of Classification Search**
USPC D10/61-74; D19/135, 156, 133, 123,
D19/115

CPC B43L 7/033; B43L 7/0275; B43L 7/10;
B43L 1/008; B43L 1/00; B43L 7/005;
B43L 13/002; B43L 7/14; B43L 7/12;
G01B 3/563; G01B 3/06; G01B 3/04;
G01B 3/566; G01B 3/56; G01B 1/00;
G01B 3/00; G01B 5/00; B25H 7/04;
B25H 7/02; G01C 9/24; G01C 9/26;
G01C 9/00; G01C 9/02

See application file for complete search history.

(56) **References Cited**

U.S. PATENT DOCUMENTS

4,813,149 A * 3/1989 Herkimer B25H 7/00
D10/69
D432,928 S * 10/2000 Garrett D10/62
6,334,261 B1 * 1/2002 Scillia B43L 7/10
33/456
RE38,032 E * 3/2003 Butwin B43L 7/10
33/463
8,122,609 B2 * 2/2012 Farr E04F 21/0076
33/420

8,782,914 B1 * 7/2014 DeLuca G01B 3/06
33/458
9,185,895 B1 * 11/2015 Miatkowski G01B 3/1004
D850,948 S * 6/2019 Zhan D10/62
(Continued)

FOREIGN PATENT DOCUMENTS

CN 304523622 * 8/2017
CN 304503893 * 9/2017
(Continued)

OTHER PUBLICATIONS

Palmgren, CH Hanson 45EX 4 inch x4 inch Layout Triangle with 45 Degree Angle, Date first available Nov. 8, 1999,[online] retrieved Jul. 28, 2022,available from https://www.amazon.com/Hanson-45EX-Layout-Triangle-Degree/dp/B00002253S/ref=asc_df_B00002253S/?tag=hyprod-20&linkCode=df0&hvadid=242023504538&hv (Year: 1999).*

(Continued)

Primary Examiner — Keli L Hill
Assistant Examiner — Sara S Sahneh

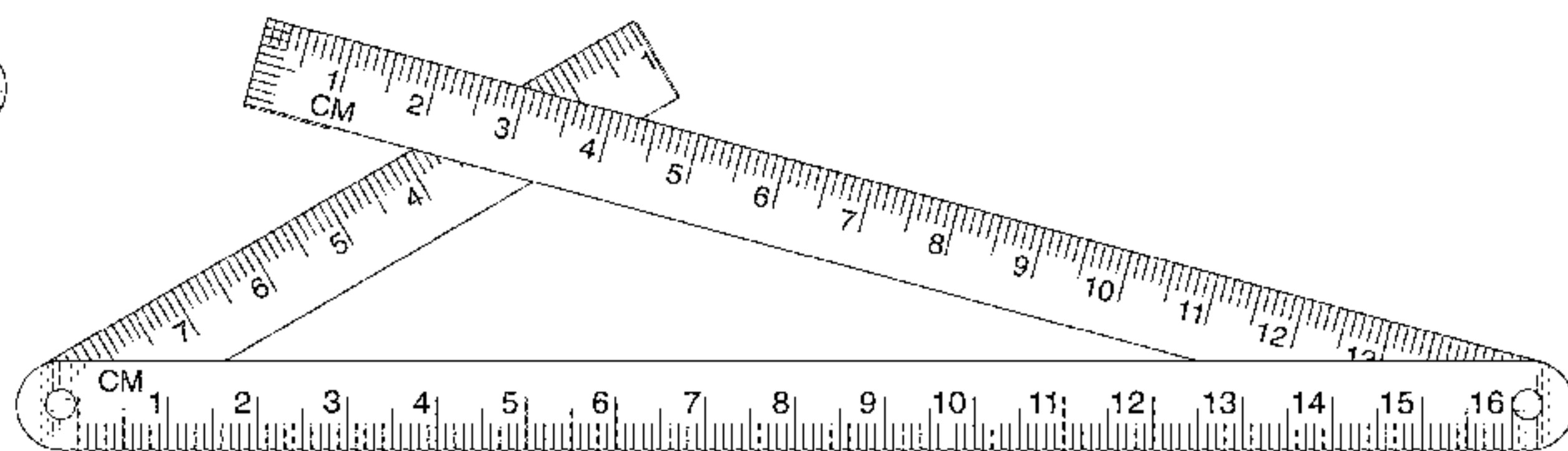
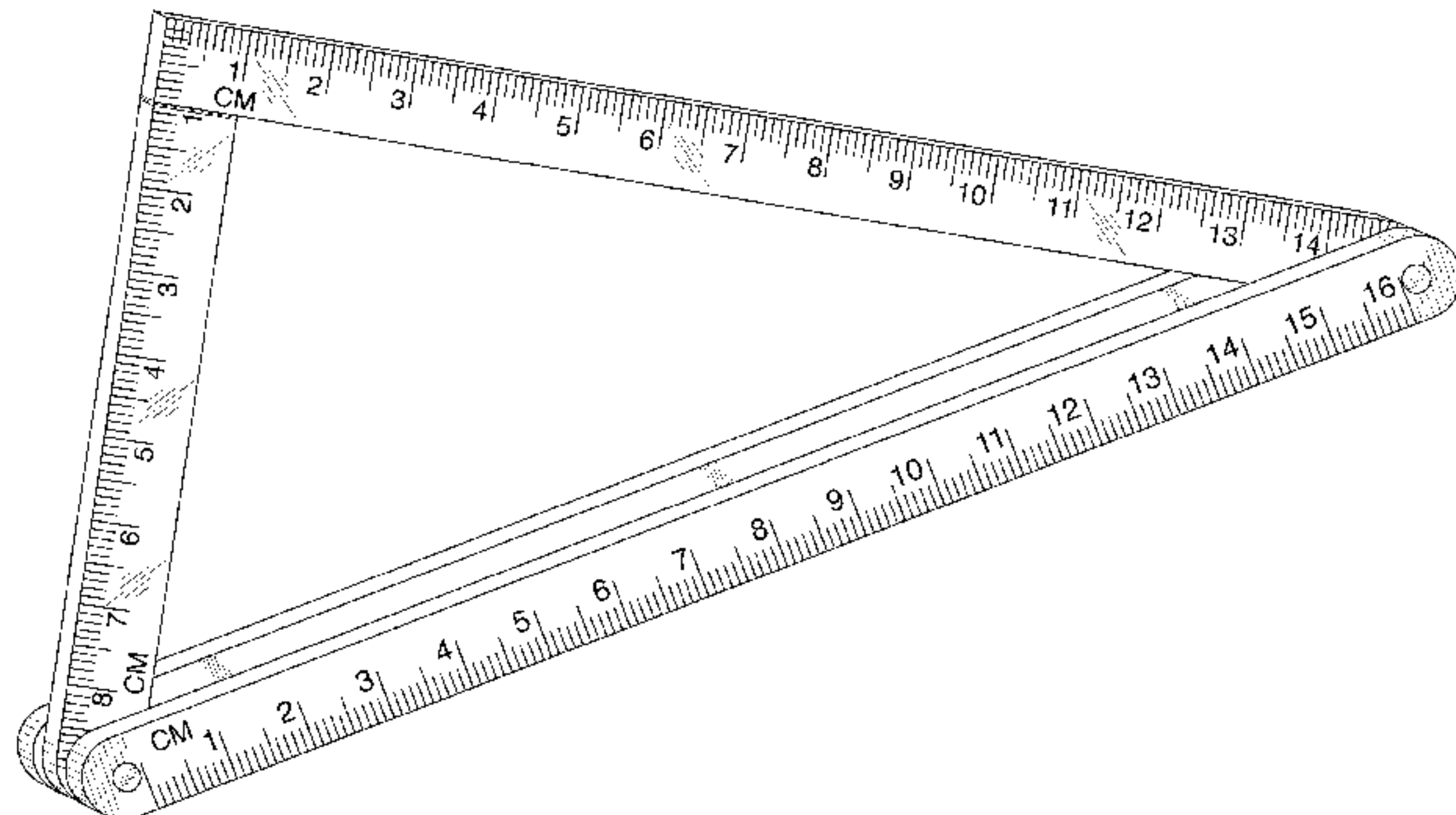
(57) **CLAIM**

The ornamental design for a foldable square set, as shown and described.

DESCRIPTION

FIG. 1 is a front elevation view of a foldable square set showing our new design;
FIG. 2 is left side elevational view thereof;
FIG. 3 is right side elevational view thereof;
FIG. 4 is a top plan view thereof;
FIG. 5 is a bottom plan view thereof;
FIG. 6 is a perspective view thereof;
FIG. 7 is a front elevation view thereof with foldable square set in half-folded position;
FIG. 8 is a front elevation view thereof with foldable square set in fully folded position; and,
FIG. 9 is a rear elevation view thereof.

1 Claim, 7 Drawing Sheets



(56)

References Cited

U.S. PATENT DOCUMENTS

D933,506 S * 10/2021 Kurani D10/65
2016/0025475 A1* 1/2016 Neugärtner G01B 3/56
33/458
2016/0370162 A1* 12/2016 Squiers G01B 3/563
2018/0201050 A1* 7/2018 Rosenfield G01B 1/00
2020/0149856 A1* 5/2020 Miller G01C 9/34

FOREIGN PATENT DOCUMENTS

CN 305852849 * 10/2020
CN 306978012 * 7/2021
CN 307291764 * 1/2022

OTHER PUBLICATIONS

Palmgren, Folding Layout Asquare-3'x4'x5' 90° 3Pcs.,Date first available May 10, 2000,[online]retrieved Jul. 28, 2022,available from https://www.amazon.com/CH-Hanson-Aluminum-Folding-Asquare/dp/B00004TKDP/ref=pd_bxgy_img_scc1_1/144-0090457-0750976?pd_rd_w=asYx4&content-id=amzn1.sym.7757a8b5-874e-4a67-9d85- (Year: 2000).*

Oumefar, L-Shaped Framing Square Stainless Steel, Date first available Sep. 4, 2020,[online]retrieved Jul. 28, 2022,available from https://www.amazon.com/dp/B08HH7BX7Y/ref=sspa_dk_detail_4?psc=1&pf_rd_p=3be1c5b9-5b41-4830-a902-fa8556c19eb5&pf_rd_r=BTMXDCR7MNCKKHS91MQE&pd_rd_wg=5MqXc&pd_rd_w=gG2sq&cont (Year: 2020).*

* cited by examiner

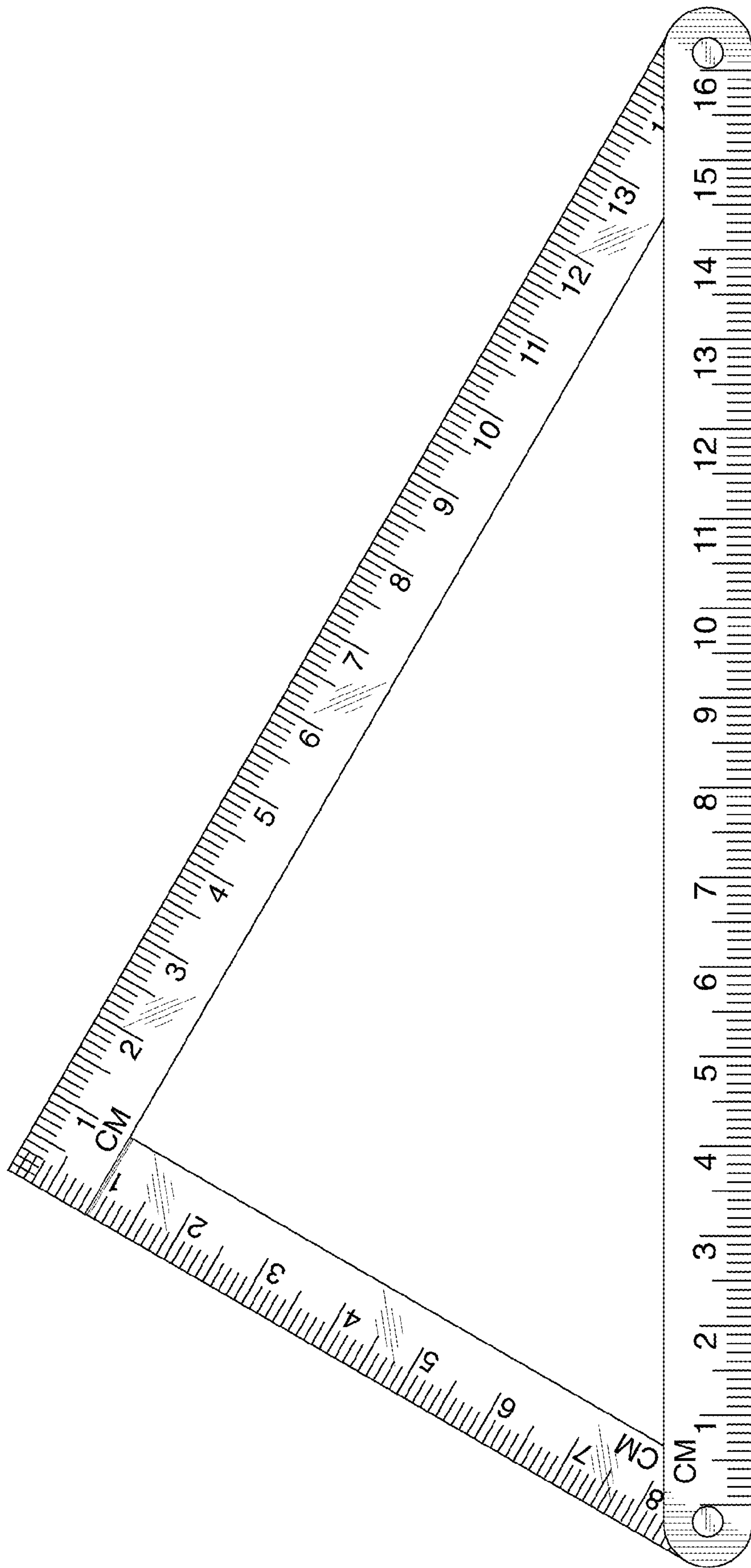


FIG. 1

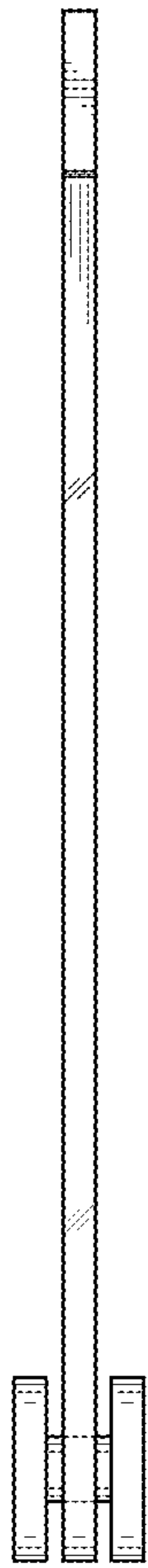


FIG. 2

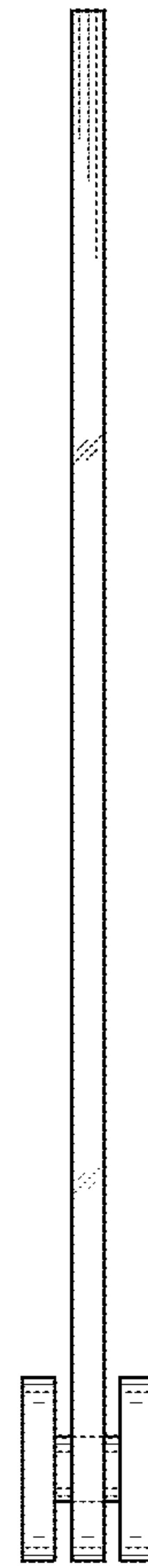


FIG. 3

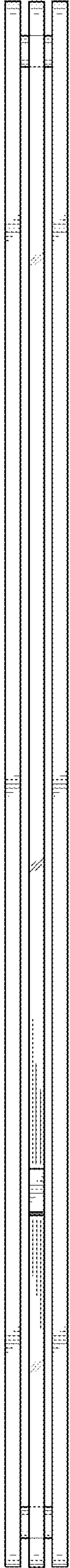


FIG. 4

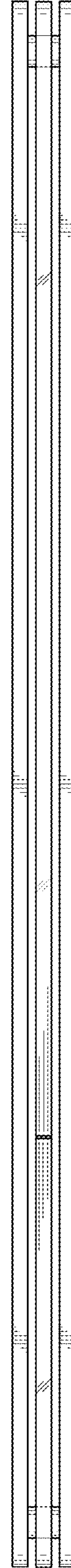


FIG. 5

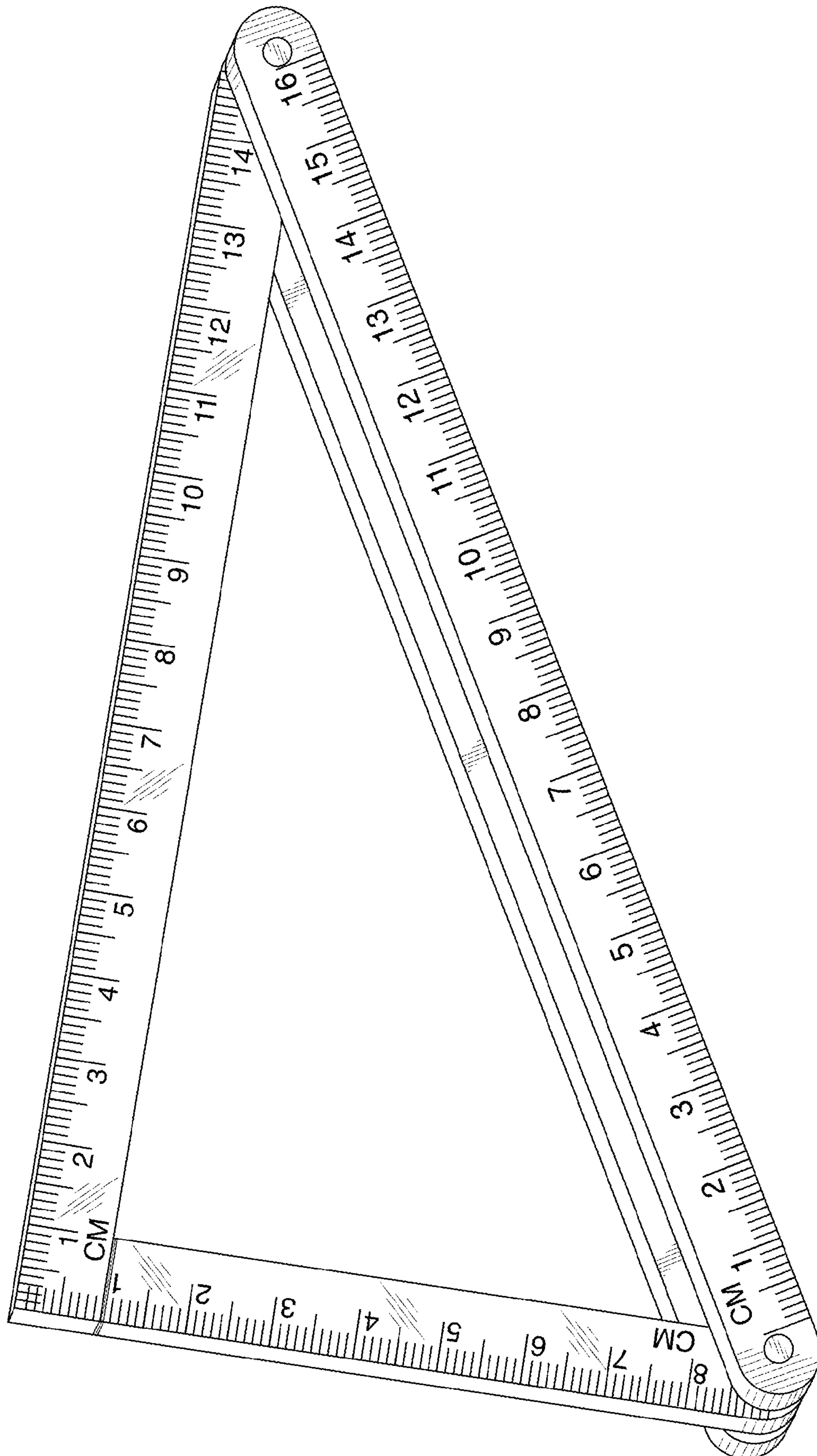


FIG. 6

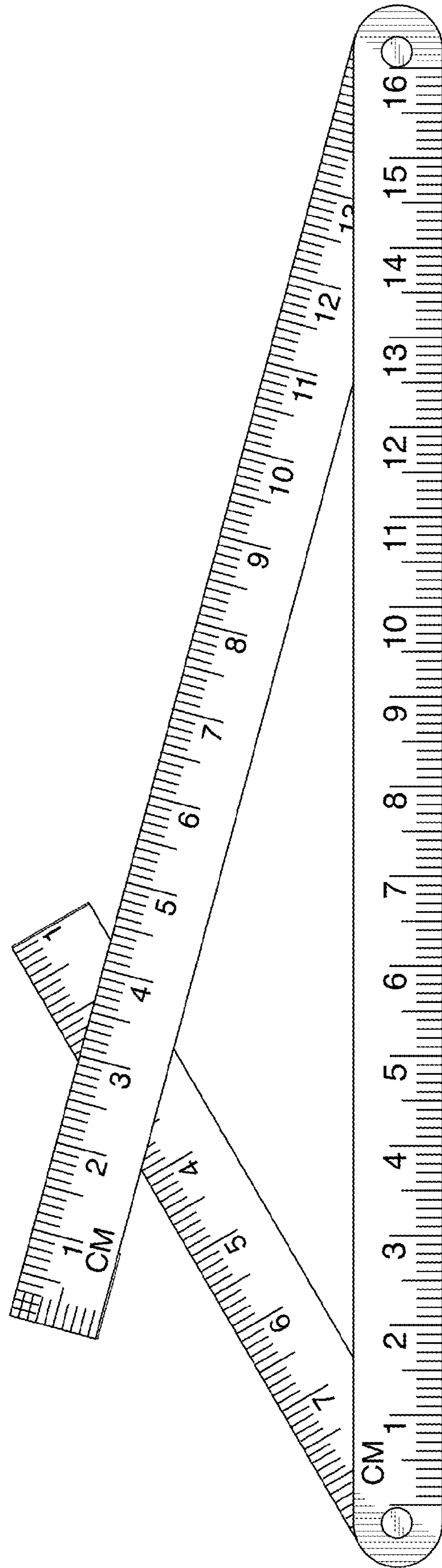


FIG. 7

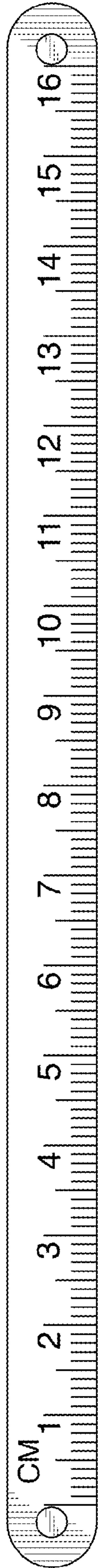


FIG. 8

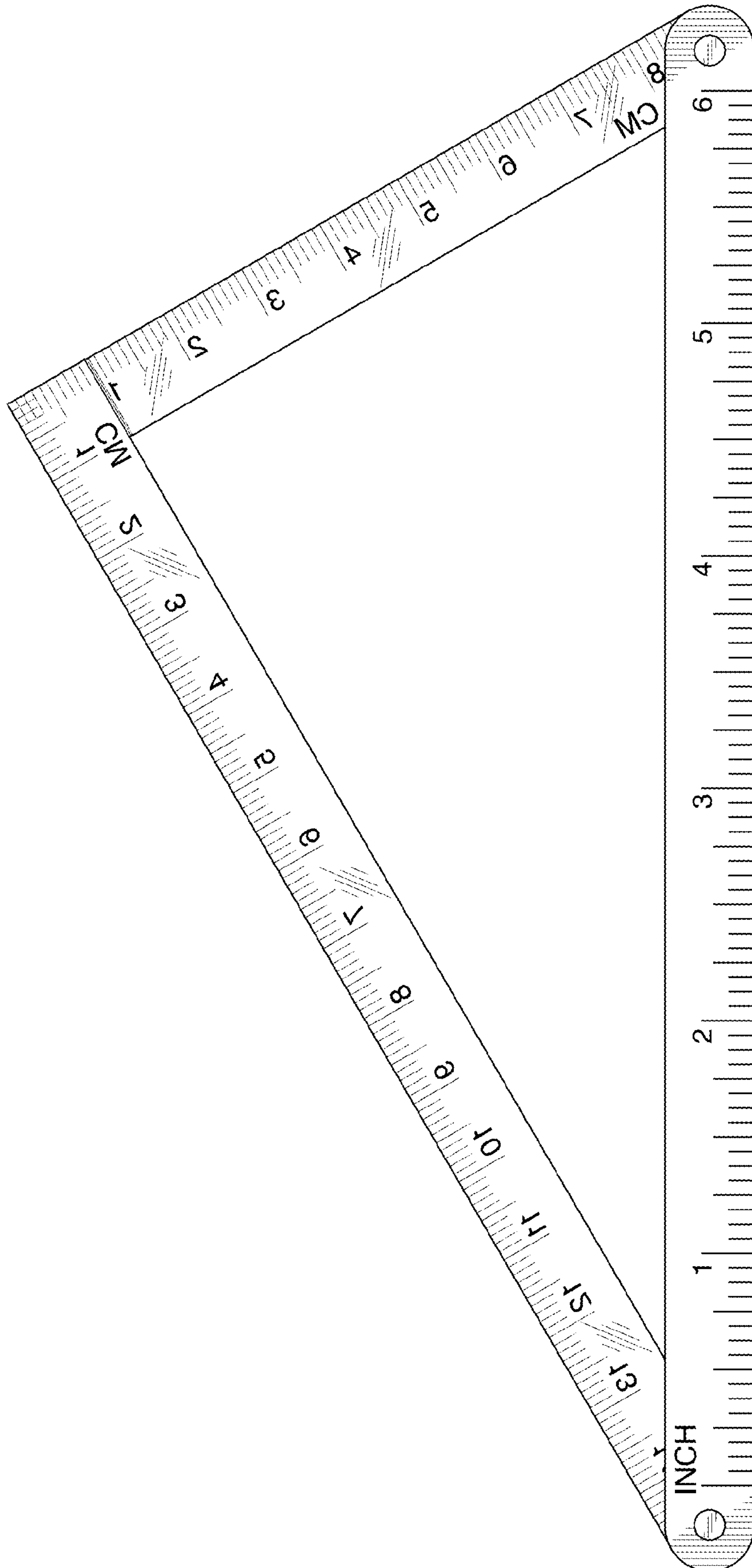


FIG. 9