



US00D980723S

(12) **United States Design Patent** (10) **Patent No.:** **US D980,723 S**
He (45) **Date of Patent:** **** Mar. 14, 2023**

(54) **ALARM CLOCK WITH WAKE UP LIGHT**
(71) Applicant: **SHENZHEN MAXFUTURE ELECTRONICS CO. LTD**, Shenzhen (CN)

D546,200 S * 7/2007 Chan D10/1
D584,898 S * 1/2009 Chang D6/309
D585,766 S * 2/2009 Fernie D10/15
D602,380 S * 10/2009 Fernie D10/15
D612,267 S * 3/2010 Tsang D10/15
(Continued)

(72) Inventor: **Haiwen He**, Chongqing (CN)
(73) Assignee: **SHENZHEN MAXFUTURE ELECTRONICS CO. LTD**, Shenzhen (CN)

FOREIGN PATENT DOCUMENTS

CN 3495332 * 11/2004
CN 202030015052.2 * 1/2020
(Continued)

(**) Term: **15 Years**

OTHER PUBLICATIONS

(21) Appl. No.: **29/818,673**
(22) Filed: **Dec. 9, 2021**
(51) **LOC (14) Cl.** **10-01**
(52) **U.S. Cl.**
USPC **D10/5**
(58) **Field of Classification Search**
USPC ... D10/1, 2, 3, 5, 14, 15, 16, 17, 21, 45, 40,
D10/44, 41, 24
CPC G04B 17/00; G04B 17/005; G04B 17/04;
G04B 19/00; G04B 19/202; G04B 19/16;
G04B 19/22; G04B 19/24; G04B 19/26;
G04B 19/06; G04B 45/00; G04B
45/0069; G04B 49/00; G01C 21/00
See application file for complete search history.

Amazon, Afexoa Sunrise Alarm Clock with Wake Up Light, posted Jul. 1, 2022, [online], [visited Nov. 15, 2022]. Internet, <URL: <https://www.amazon.co.uk/Sunrise-Simulation-Dimmable-Multicolor-Temperature/dp/B0B5L2W493/ref?th=1>> (Year: 2022).*

(Continued)

Primary Examiner — Samantha Wood

(57) **CLAIM**

The ornamental design for an alarm clock with wake up light, as shown and described.

DESCRIPTION

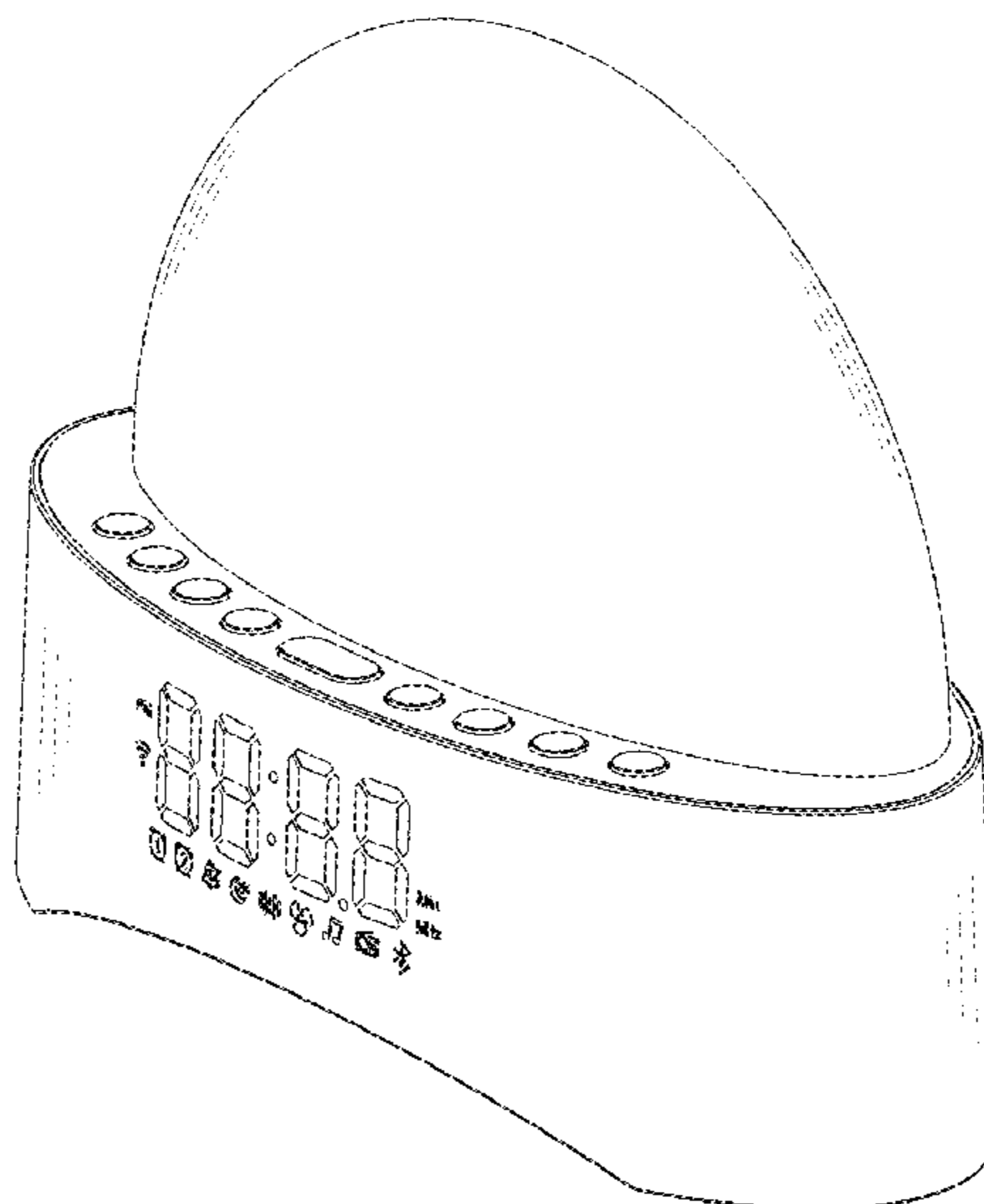
FIG. 1 is a perspective view of an alarm clock with wake up light showing my new design;
FIG. 2 is an alternative perspective view thereof;
FIG. 3 is a front view thereof;
FIG. 4 is a back view thereof;
FIG. 5 is a left side view thereof;
FIG. 6 is a right side view thereof;
FIG. 7 is a top plan view thereof; and,
FIG. 8 is a bottom plan view thereof.
The broken lines shown in the drawings illustrate portions of the alarm clock with wake up light that form no part of the claimed design.

(56) **References Cited**

U.S. PATENT DOCUMENTS

D98,049 S * 1/1936 Blow D10/3
D347,182 S * 5/1994 Wada D10/15
D354,772 S * 1/1995 Flickinger D10/2
D361,040 S * 8/1995 Shinozaki D10/23
D378,495 S * 3/1997 Gillespie D10/2
D412,853 S * 8/1999 Kokkinis D10/2
D473,145 S * 4/2003 Chang D10/2
D475,930 S * 6/2003 Chang D10/1
D486,073 S * 2/2004 Morgan D10/18
D511,693 S * 11/2005 Ma D10/23

1 Claim, 8 Drawing Sheets



(56)

References Cited

U.S. PATENT DOCUMENTS

D656,043 S 3/2012 Westerlund
D935,329 S 11/2021 Xu
D963,910 S * 9/2022 Qiu D10/2
D966,905 S * 10/2022 Xie D10/15

FOREIGN PATENT DOCUMENTS

CN 202030650120.2 * 10/2020
GB 6223190 * 8/2022

OTHER PUBLICATIONS

Amazon, Onsinic Digital Alarm Clock Desk Lamp Wake Up Light, posted Dec. 25, 2021, [online], [visited Nov. 15, 2022]. Internet, <URL: <https://www.amazon.co.uk/Onsinic-Digital-Sunrise-Projector-Control/dp/B09P66QYNC/ref>> (Year: 2021).*

Amazon, Tkhin Wake Up Light Sunrise Alarm Clock, posted Sep. 18, 2020, [online], [visited Nov. 15, 2022]. Internet, <URL: <https://www.amazon.com/Sunrise-Sleeper-Machine-Simulation-Bedside/dp/B08JGQBKMG/ref>> (Year: 2020).*

* cited by examiner

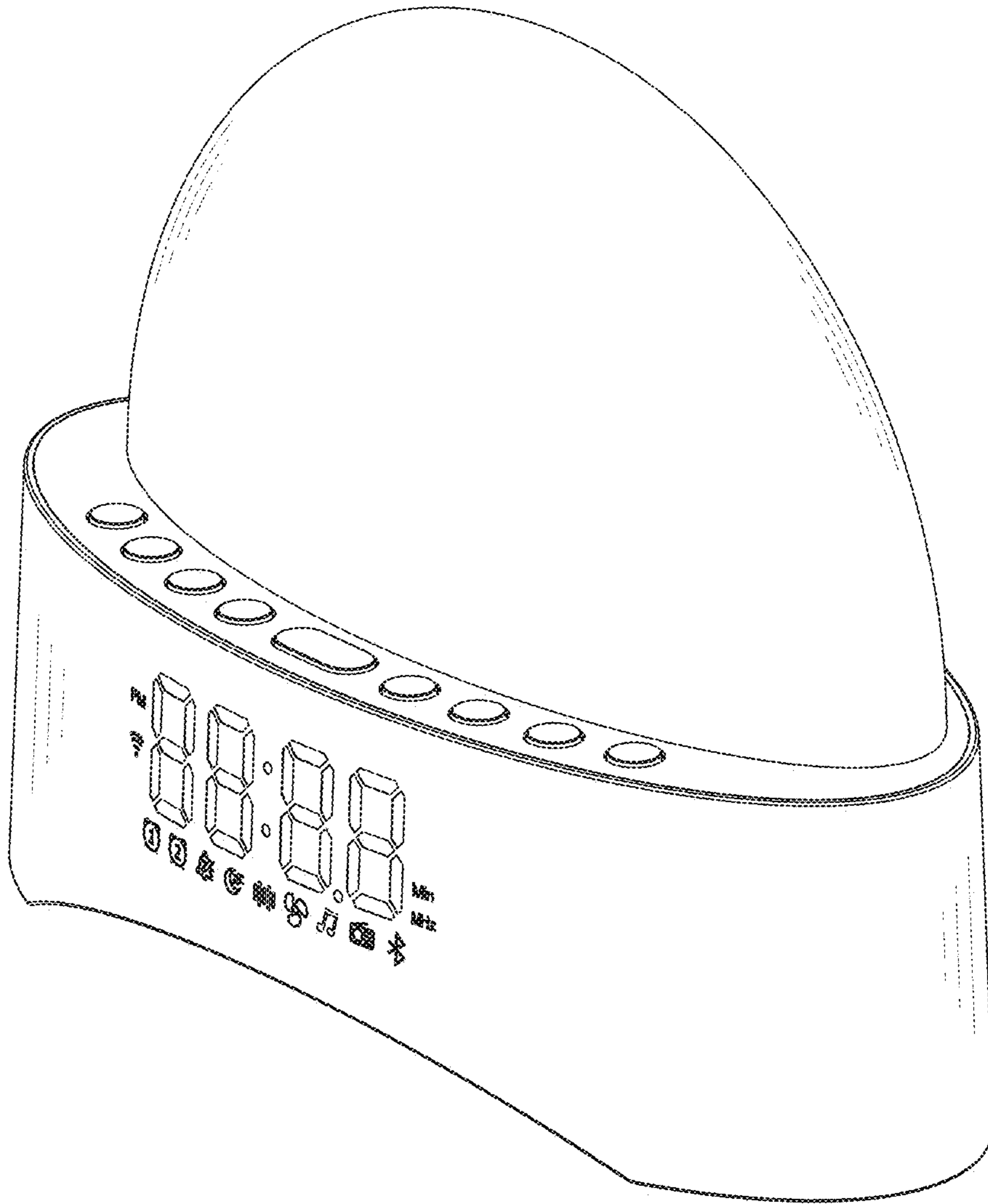


FIG. 1

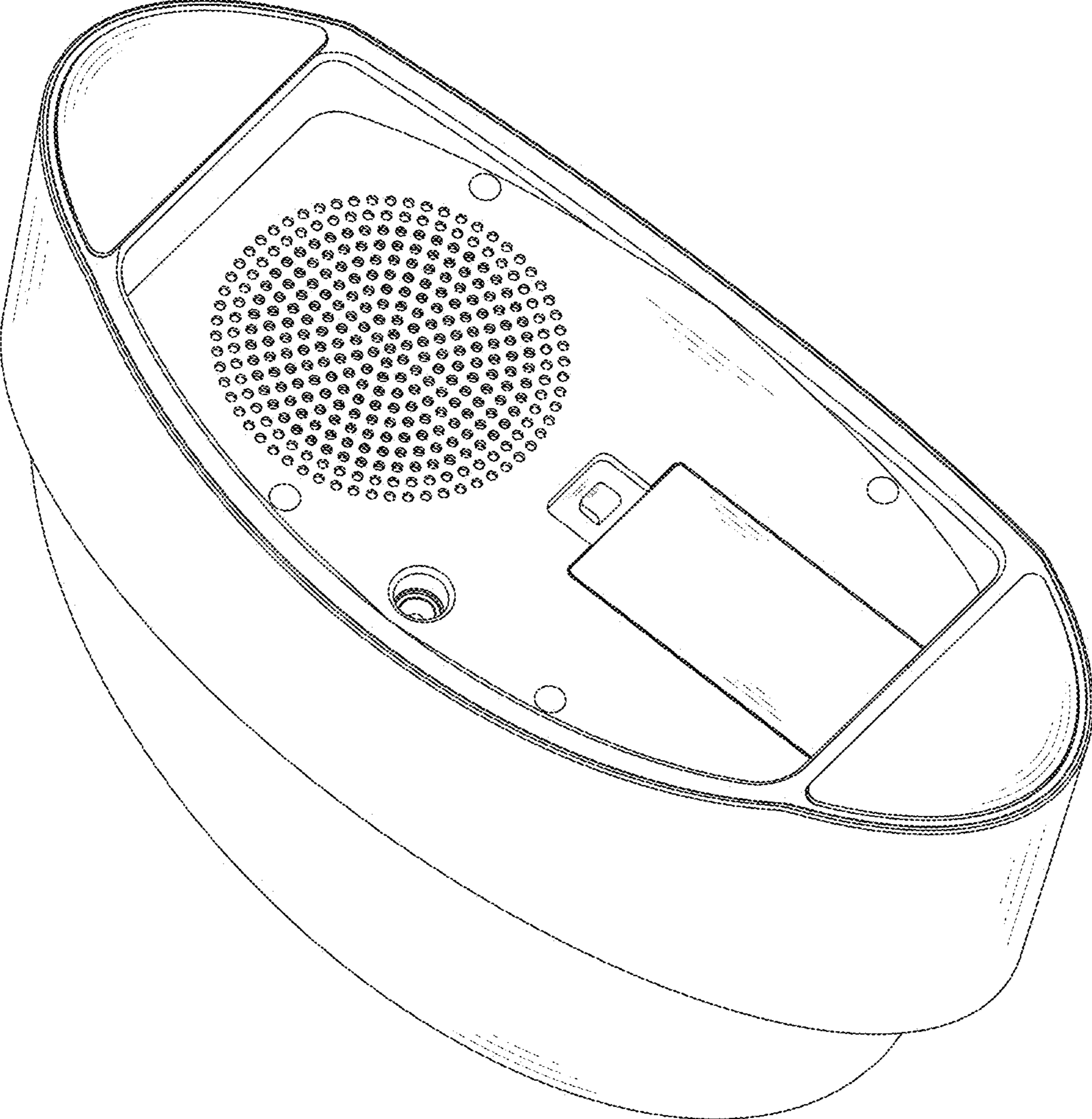


FIG. 2

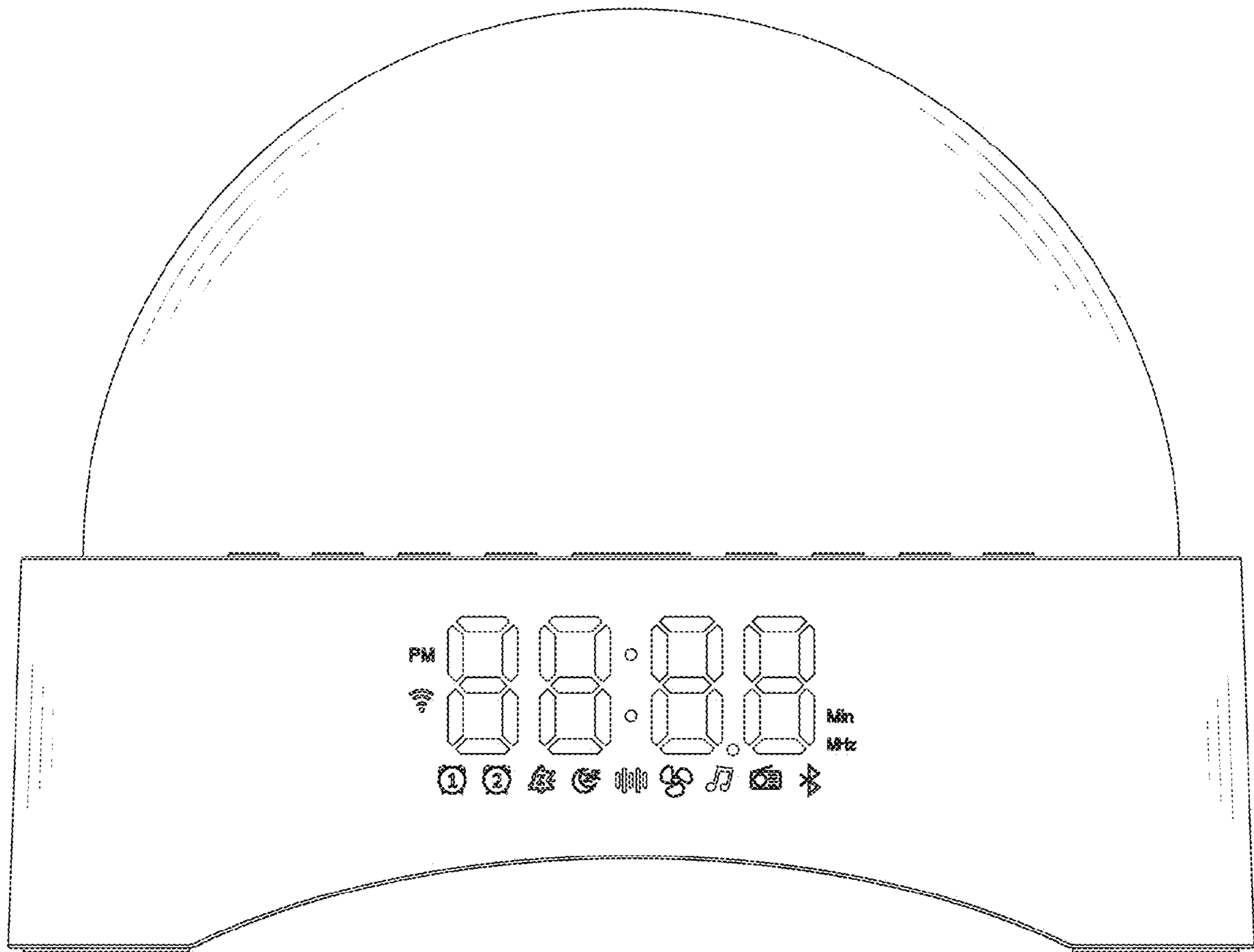


FIG. 3

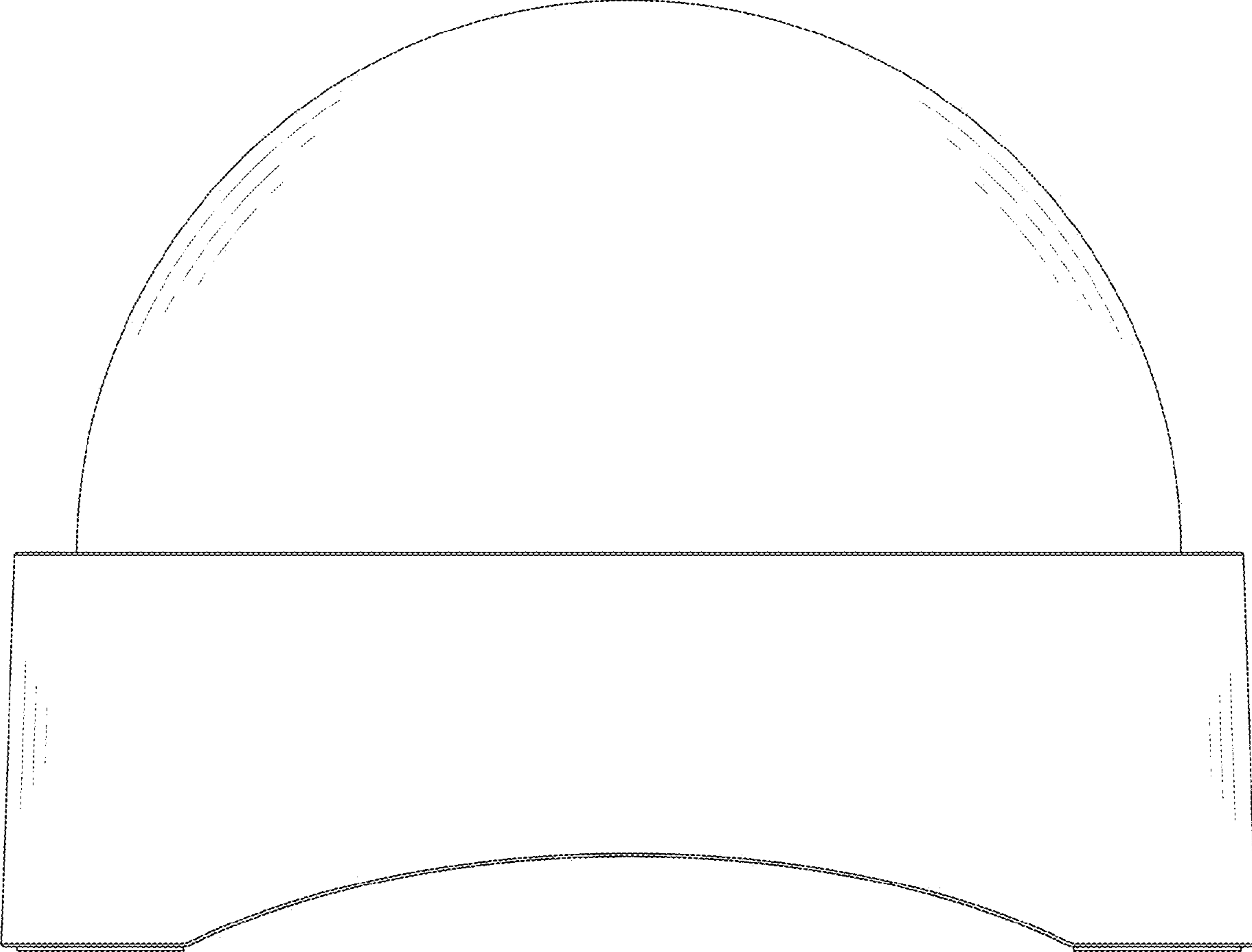


FIG. 4

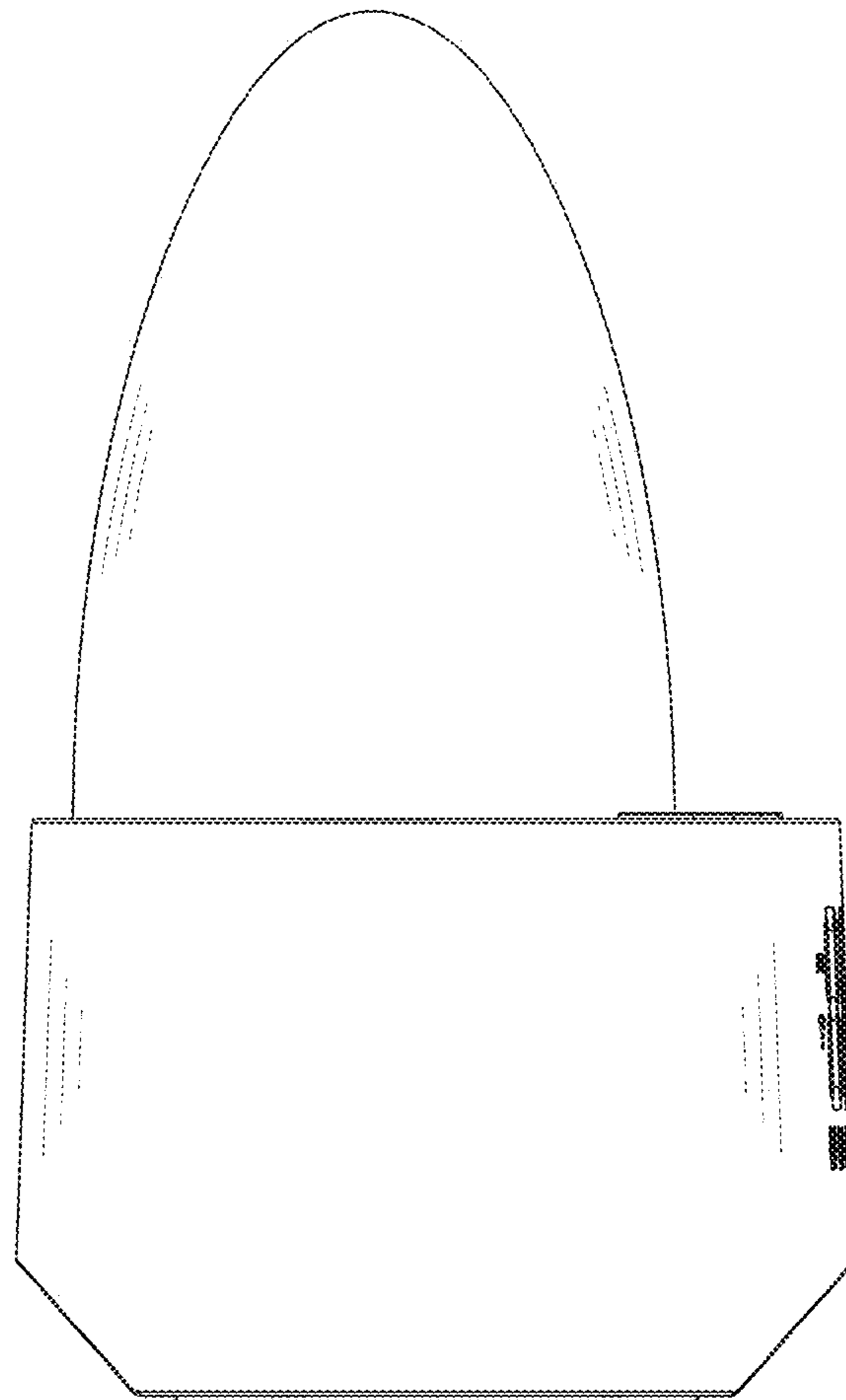


FIG. 5

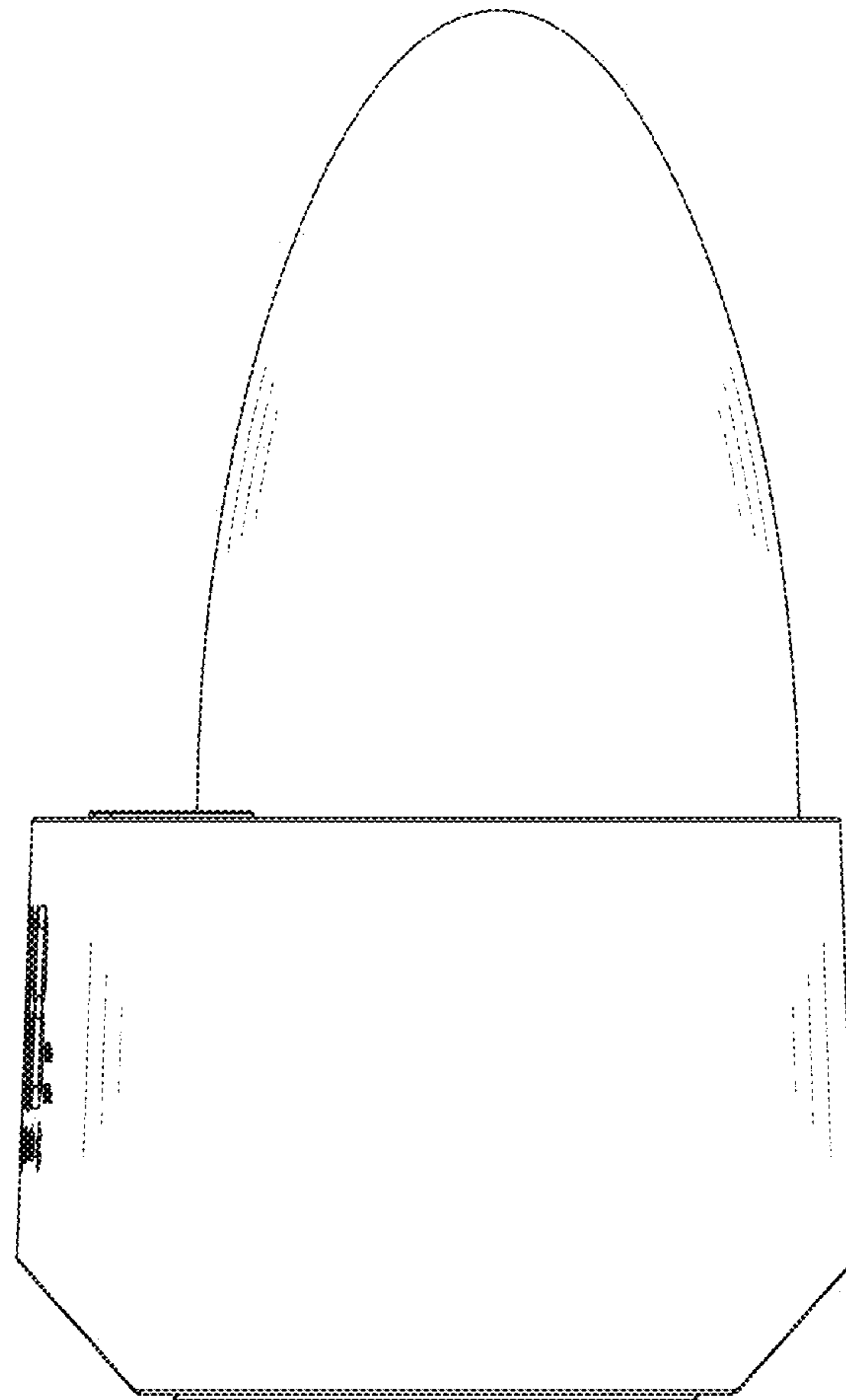


FIG. 6

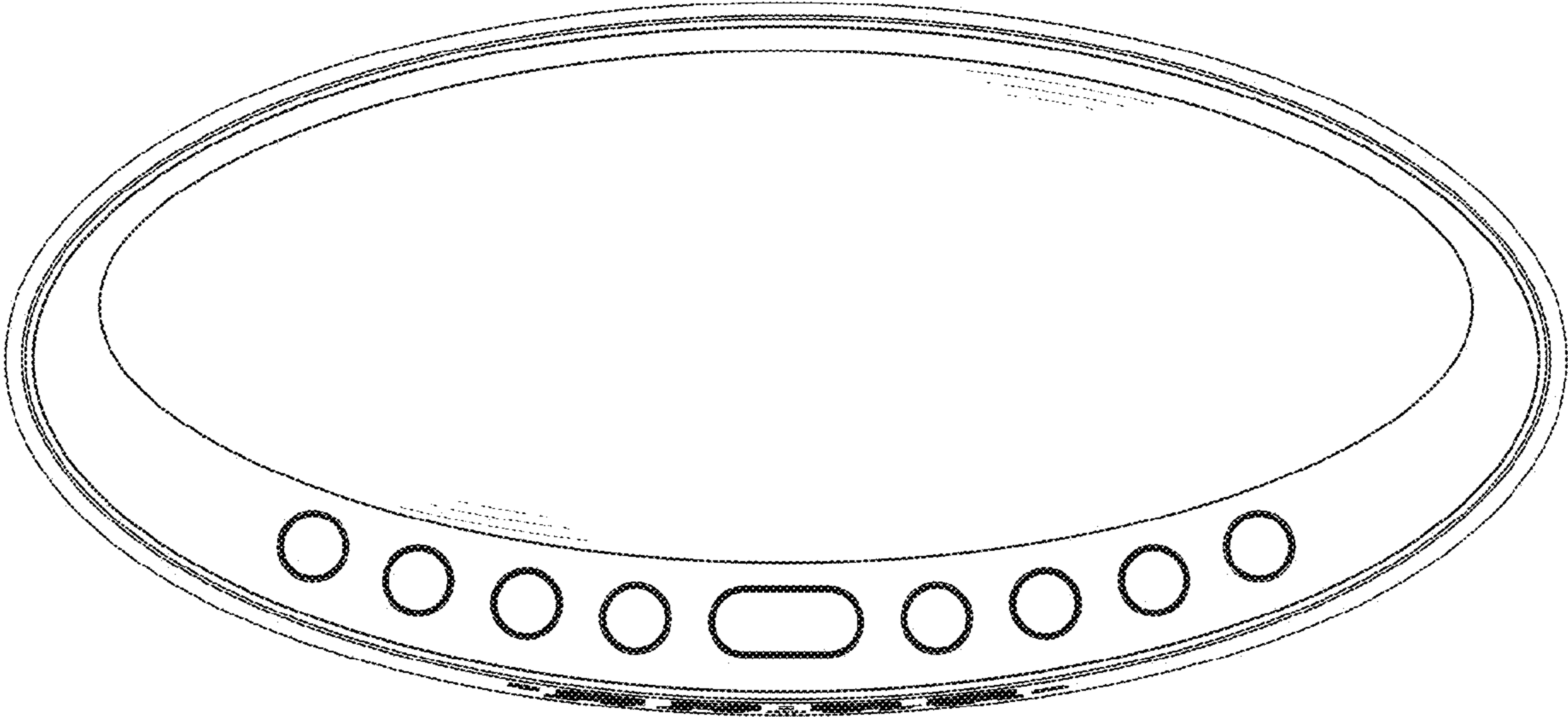


FIG. 7

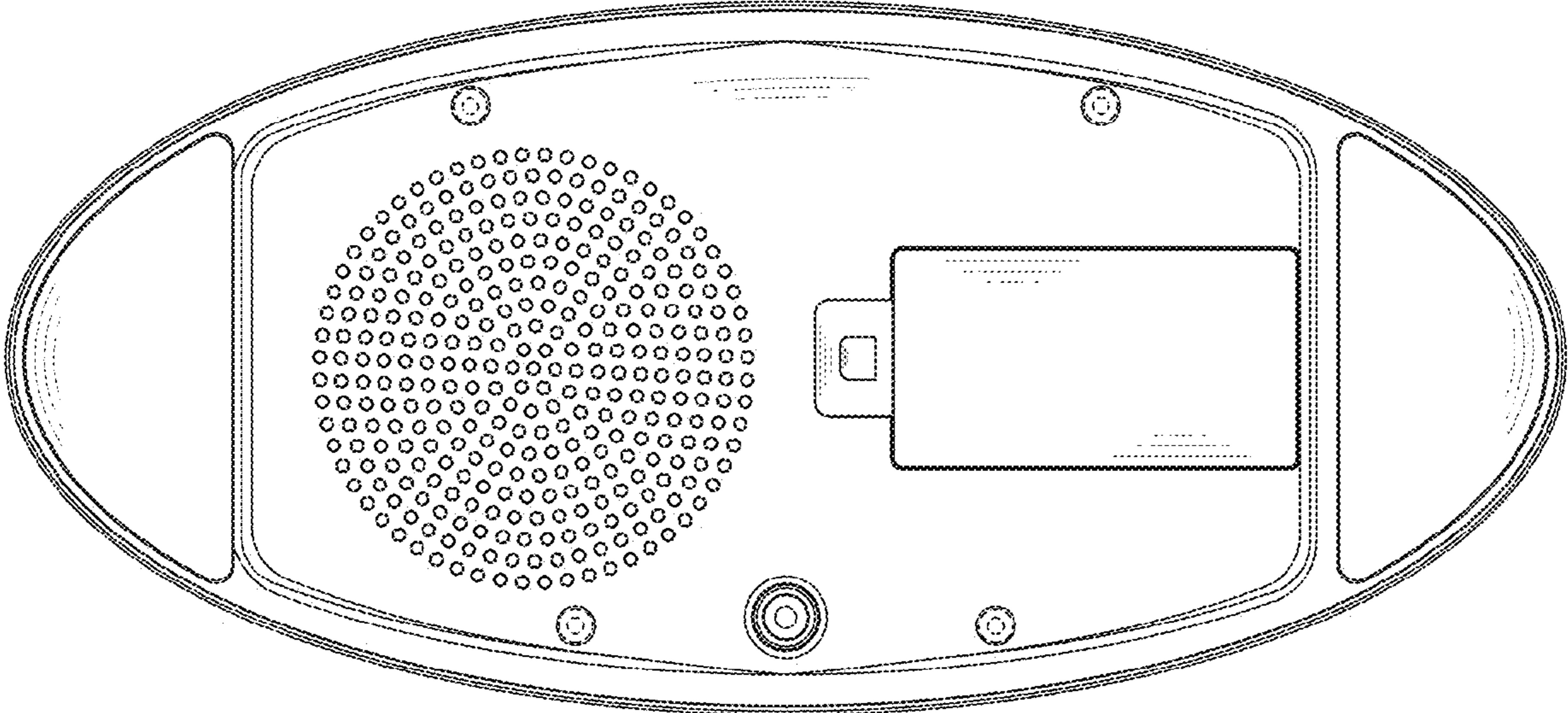


FIG. 8