



US00D980719S

(12) **United States Design Patent** (10) **Patent No.:** **US D980,719 S**
Fillion et al. (45) **Date of Patent:** **** Mar. 14, 2023**

(54) **BOX AND RIBBON SET**

(71) Applicants: **Julie Marie France Fillion**, Surrey (CA); **Sheldon David Smith**, Surrey (CA)

(72) Inventors: **Julie Marie France Fillion**, Surrey (CA); **Sheldon David Smith**, Surrey (CA)

(**) Term: **15 Years**

(21) Appl. No.: **29/734,296**

(22) Filed: **May 11, 2020**

(51) **LOC (14) Cl.** **09-01**

(52) **U.S. Cl.**
USPC **D9/721**; D9/432

(58) **Field of Classification Search**
USPC D9/414, 432, 433, 715, 721; D7/601, D7/602

(Continued)

(56) **References Cited**

U.S. PATENT DOCUMENTS

1,154,457 A * 9/1915 Taylor B65D 71/36
229/199

1,228,725 A * 6/1917 Walter 229/125.22
(Continued)

FOREIGN PATENT DOCUMENTS

CN 2841511 Y 11/2006
CN 201447095 U 5/2010

(Continued)

OTHER PUBLICATIONS

Examiner's Requisition dated Jan. 31, 2020 in connection with Canadian Patent Application No. 3027897.

(Continued)

Primary Examiner — Lauren R Calve

(74) *Attorney, Agent, or Firm* — Norton Rose Fulbright Canada LLP

(57) **CLAIM**

The ornamental design for a box and ribbon set, as shown and described.

DESCRIPTION

FIG. 1 is a top view of a first embodiment of the box and ribbon set showing the design;

FIG. 2 is a bottom view thereof;

FIG. 3 is a perspective view thereof shown in a folded position and with an environmental bow shown in broken lines;

FIG. 4 is a top plan view thereof;

FIG. 5 is a front side elevation view thereof;

FIG. 6 is a left side elevation view thereof;

FIG. 7 is a right side elevation view thereof;

FIG. 8 is a back side elevation thereof;

FIG. 9 is a bottom view thereof;

FIG. 10 is an environmental perspective view thereof shown in a presentation position;

FIG. 11 is a top view of a second embodiment of the box and ribbon set showing the design;

FIG. 12 is a bottom view thereof;

FIG. 13 is an environmental perspective view thereof shown in a presentation position;

FIG. 14 is a top view of a third embodiment of the box and ribbon set showing the design;

FIG. 15 is a bottom view thereof;

FIG. 16 is a perspective view thereof shown in a folded position and with an environmental bow shown in broken lines;

FIG. 17 is a top plan view thereof;

FIG. 18 is a front side elevation view thereof;

FIG. 19 is a left side elevation view thereof;

FIG. 20 is a right side elevation view thereof;

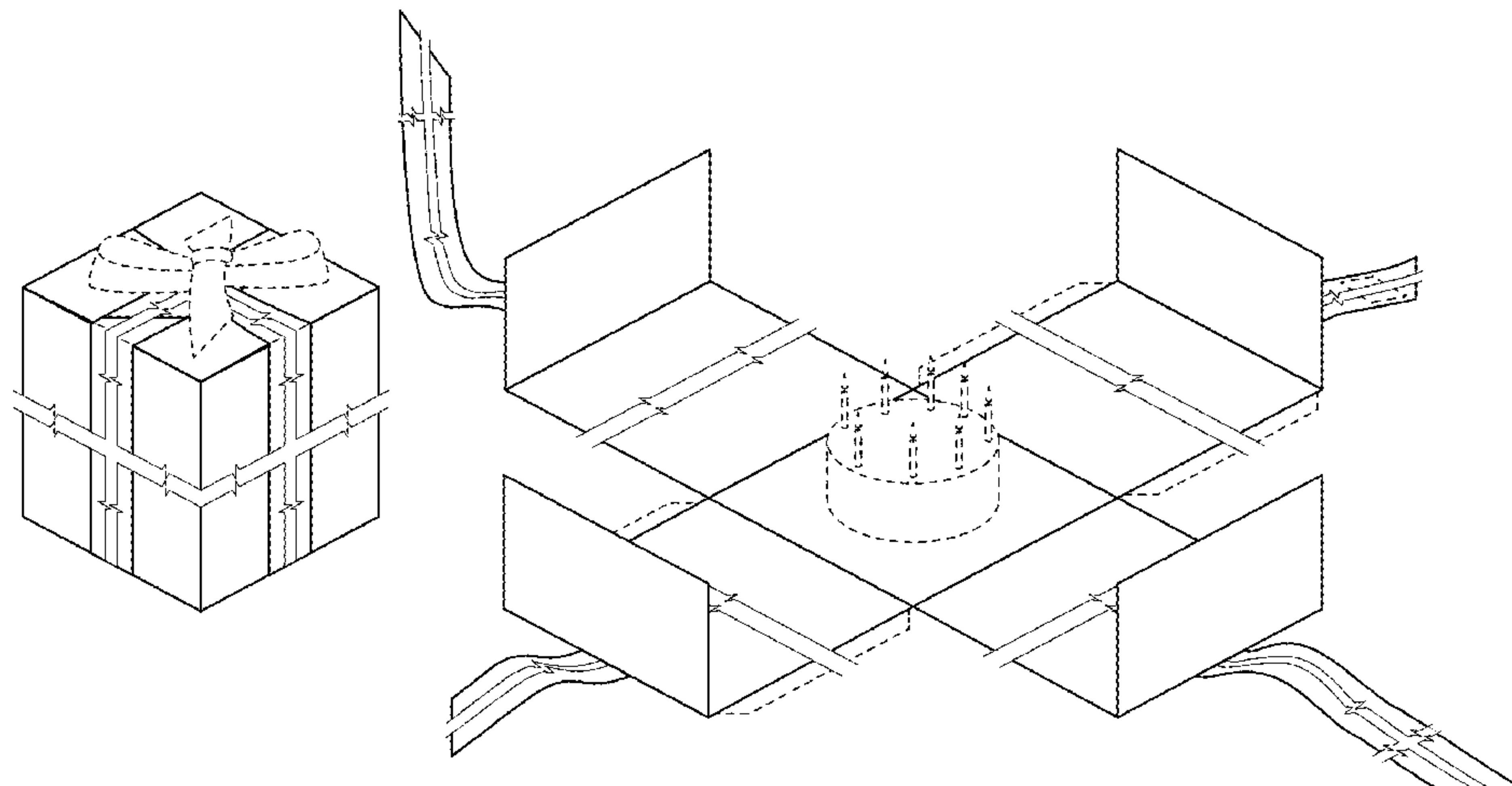
FIG. 21 is a back side elevation view thereof;

FIG. 22 is a bottom view thereof; and,

FIG. 23 is an environmental perspective view thereof shown in a presentation position.

The top, front, left side, right side, back side, and bottom views of the second embodiment in the folded position and

(Continued)



with the unclaimed bow are identical to FIGS. 4 to 9. The double jagged lines across the sides of the box or width of the ribbon represent an indefinite length. The double jagged lines along the length of the ribbons represent an indefinite width. The appearance of any portion of the article between the break line forms no part of the claimed design. The ribbon is flexible. The diagonal shading shown in FIGS. 11 and 13 represents a reflective sheen. The grayscale shading shown in FIGS. 14 to 23 represents contrasting tones. The broken lines shown represent portions of the box and ribbon set and environmental subject matter, all of which form no part of the claimed design.

1 Claim, 11 Drawing Sheets

(58) **Field of Classification Search**

CPC Y10S 229/922; B65D 2571/0066; B65D 65/06; B65D 5/425; B65D 5/2057; B65D 5/4266; B65D 2203/00; B65D 81/24; B65D 5/0236; B65D 81/05; B65D 2585/363; B65D 85/36

See application file for complete search history.

(56) **References Cited**

U.S. PATENT DOCUMENTS

4,185,767 A * 1/1980 Sykora B65D 5/06
428/542.2
4,562,952 A 1/1986 Chinman
4,614,266 A 9/1986 Moorhead
5,004,144 A 4/1991 Selga
D339,389 S * 9/1993 Peppin D11/131
D365,127 S 12/1995 Westersund
D427,524 S * 7/2000 Weisz D9/600
6,405,869 B1 6/2002 Whittemore
7,000,771 B2 2/2006 Kwong

D549,590 S * 8/2007 Mauerhan D9/432
D680,007 S * 4/2013 Gavrieli D9/721
D703,531 S * 4/2014 Gavrieli A43B 5/12
D9/432
9,365,337 B2 6/2016 Fullan
D817,771 S 5/2018 Smith
D904,881 S * 12/2020 van der Burgt-van den
Eijnden D9/432
11,167,876 B2 * 11/2021 Fillion B65D 45/32
2005/0224501 A1 * 10/2005 Folkert B65D 5/46016
220/592.2
2009/0114707 A1 5/2009 Navarre
2010/0127055 A1 * 5/2010 Zelina B65D 5/4262
229/87.18
2010/0313529 A1 12/2010 Steinhäuser
2013/0186782 A1 7/2013 Doyle
2013/0186896 A1 * 7/2013 Doyle B65D 5/4262
220/259.1
2013/0186947 A1 7/2013 Hohman
2014/0231278 A1 * 8/2014 Glass G07F 17/00
206/39
2015/0232245 A1 * 8/2015 Fullan B65D 5/62
229/87.19

FOREIGN PATENT DOCUMENTS

CN 202016610 U 10/2011
CN 202186625 U 4/2012
CN 103832655 A 6/2014
DE 4405560 C1 12/1994
GB 2139187 A 11/1984
GB 2312891 A 11/1997
JP 2009007037 A 1/2009

OTHER PUBLICATIONS

Office Action dated Mar. 31, 2021 in connection with U.S. Appl. No. 16/678,386.
Office Action dated Sep. 25, 2020 in connection with U.S. Appl. No. 16/678,386.

* cited by examiner

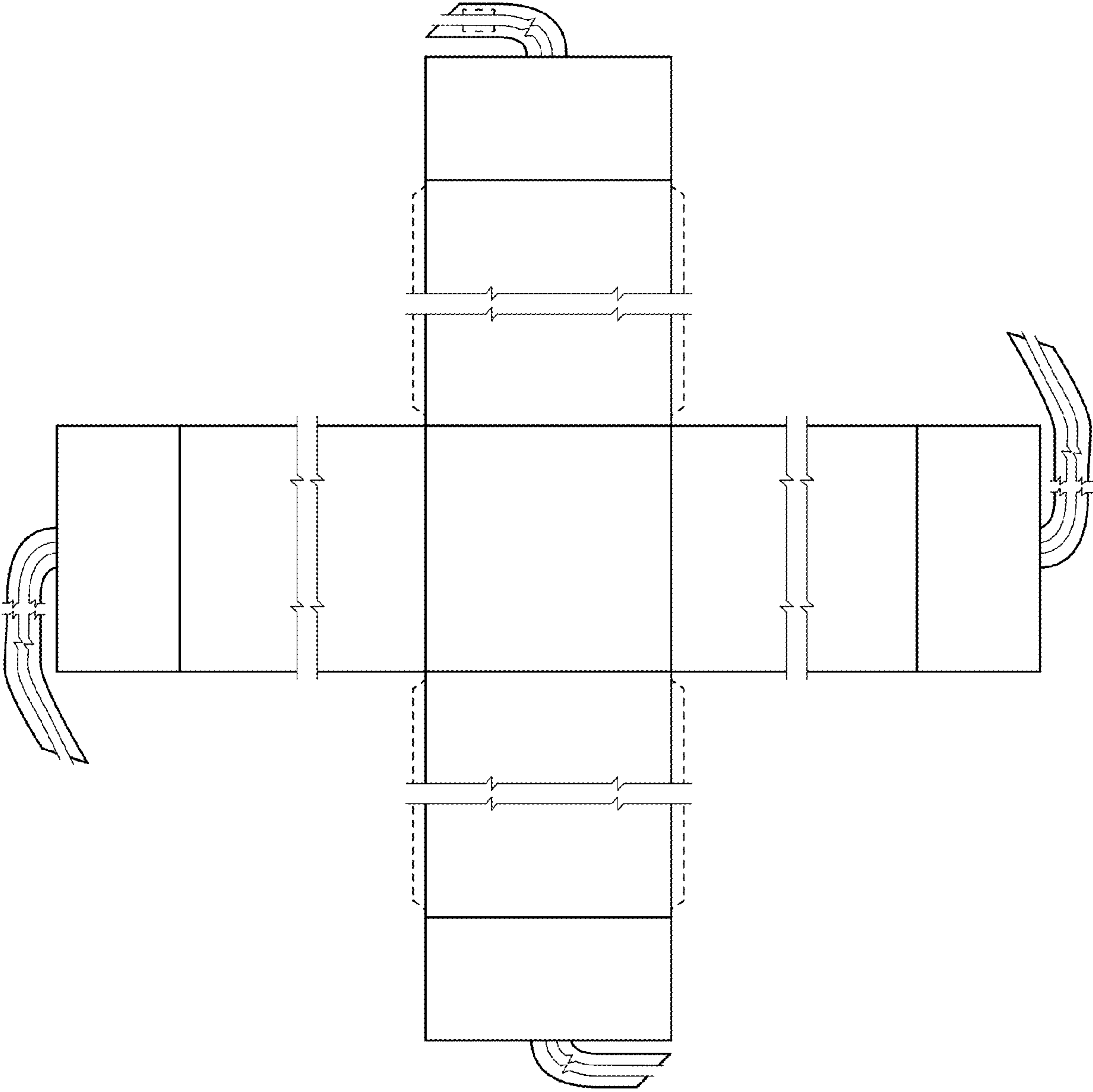


FIG. 1

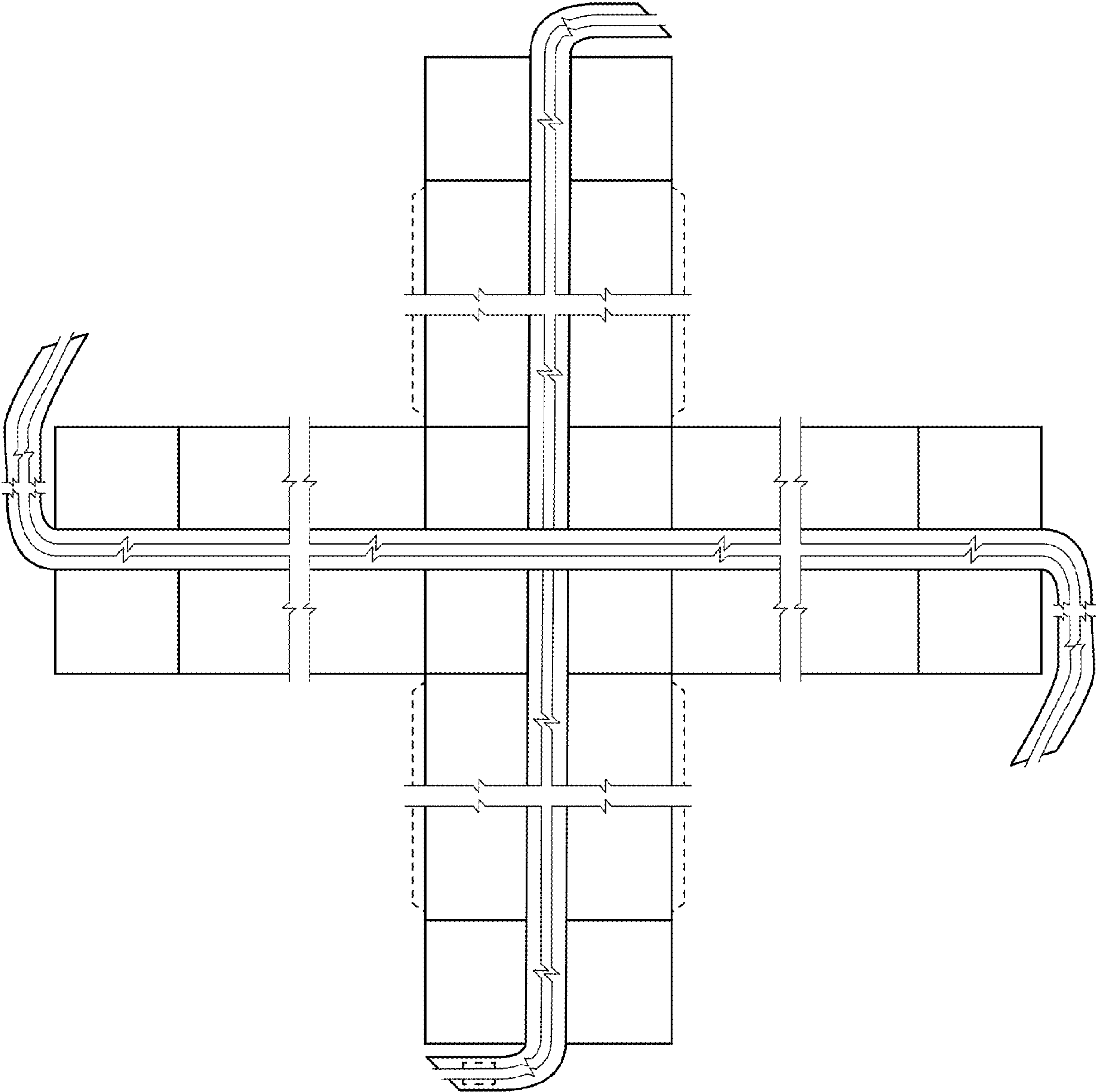


FIG. 2

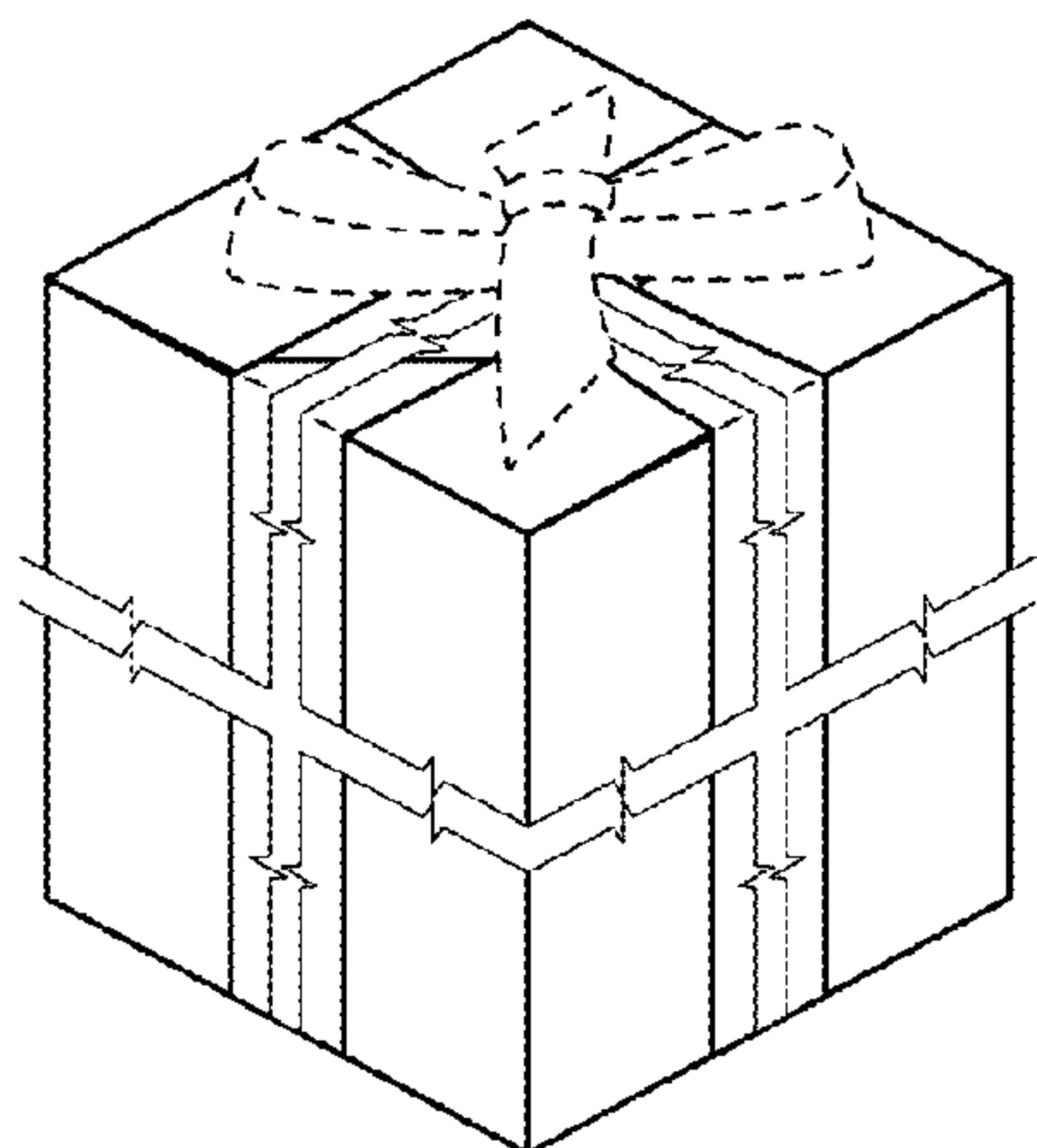


FIG. 3

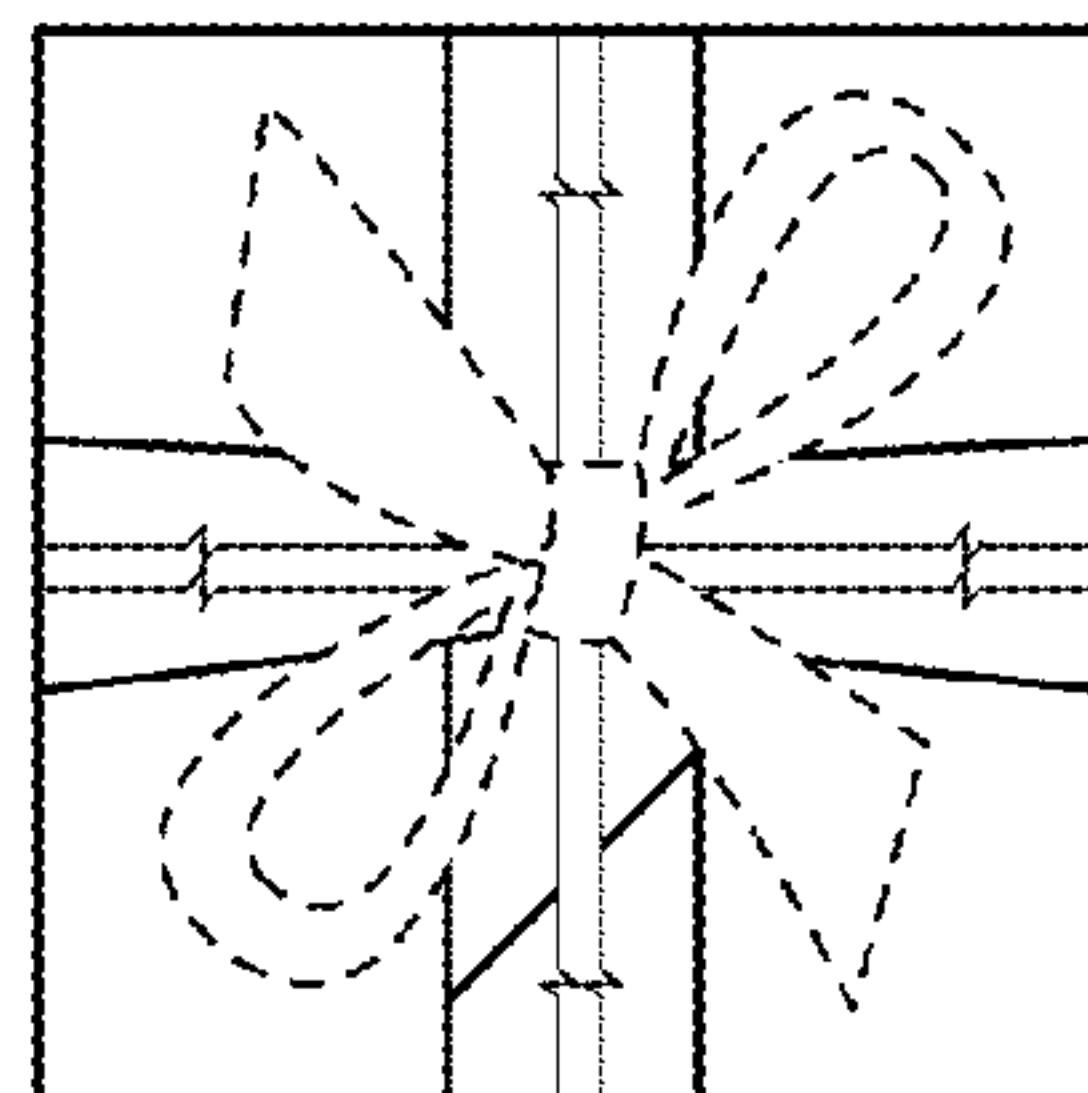


FIG. 4

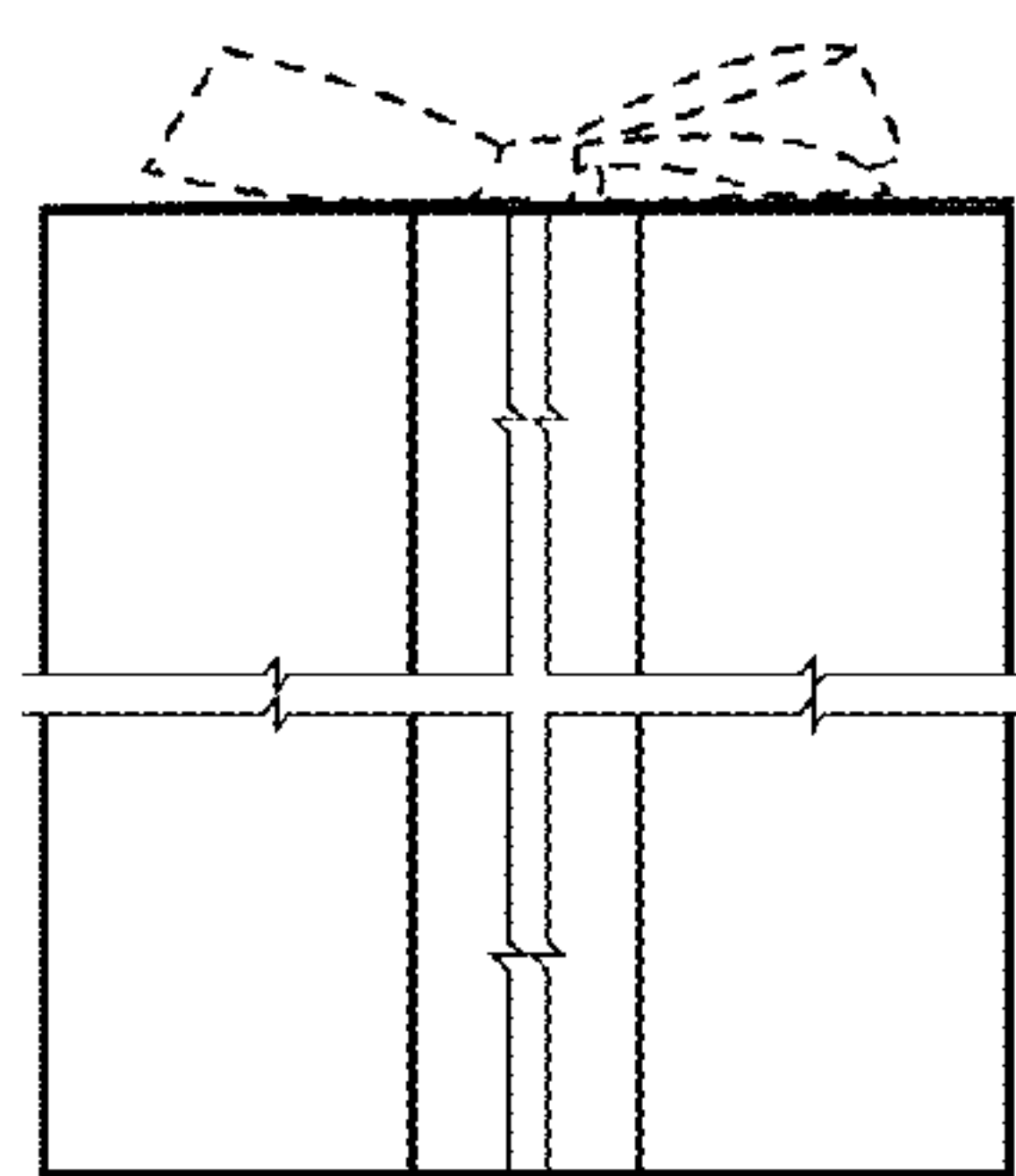


FIG. 5

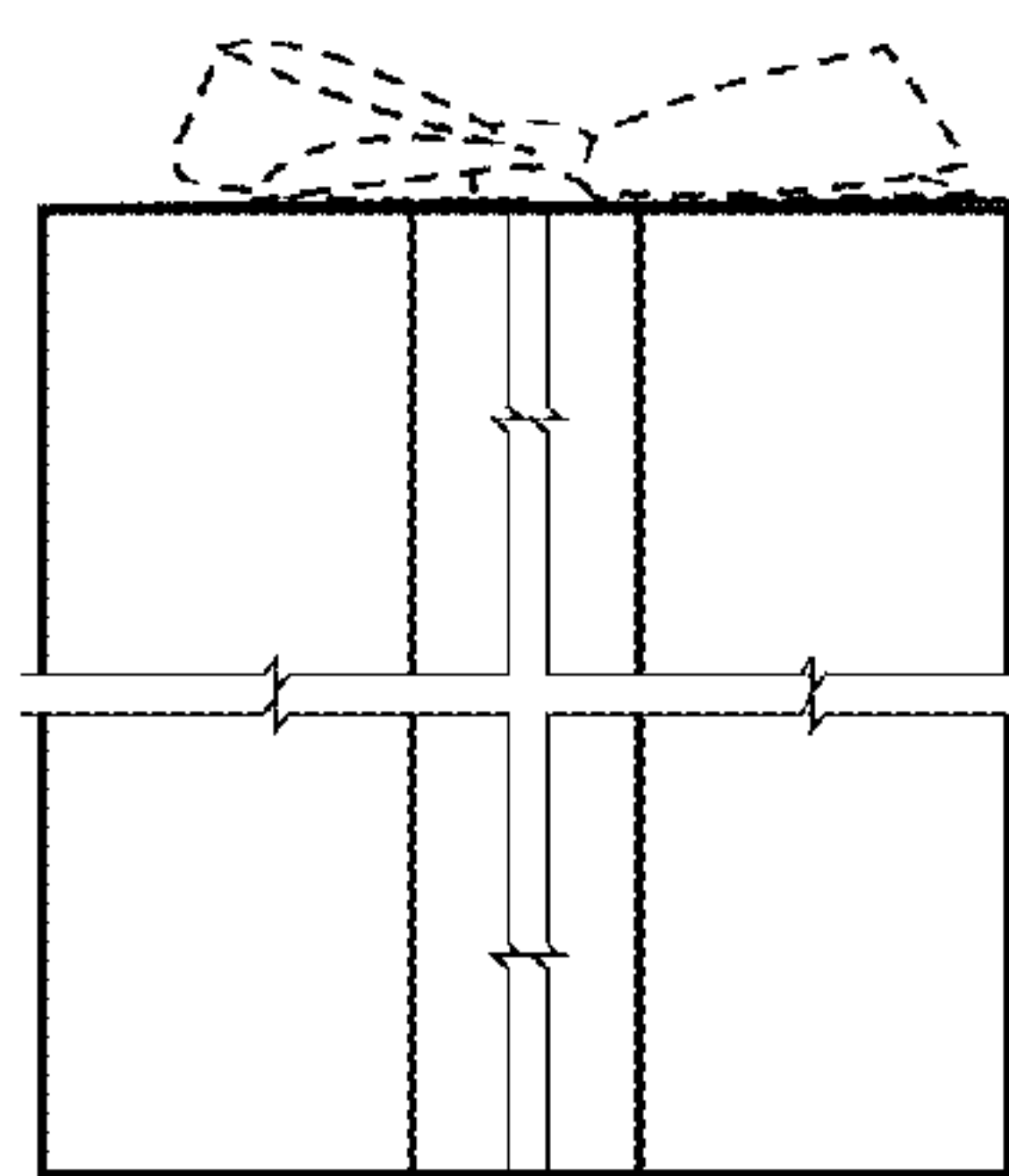


FIG. 6

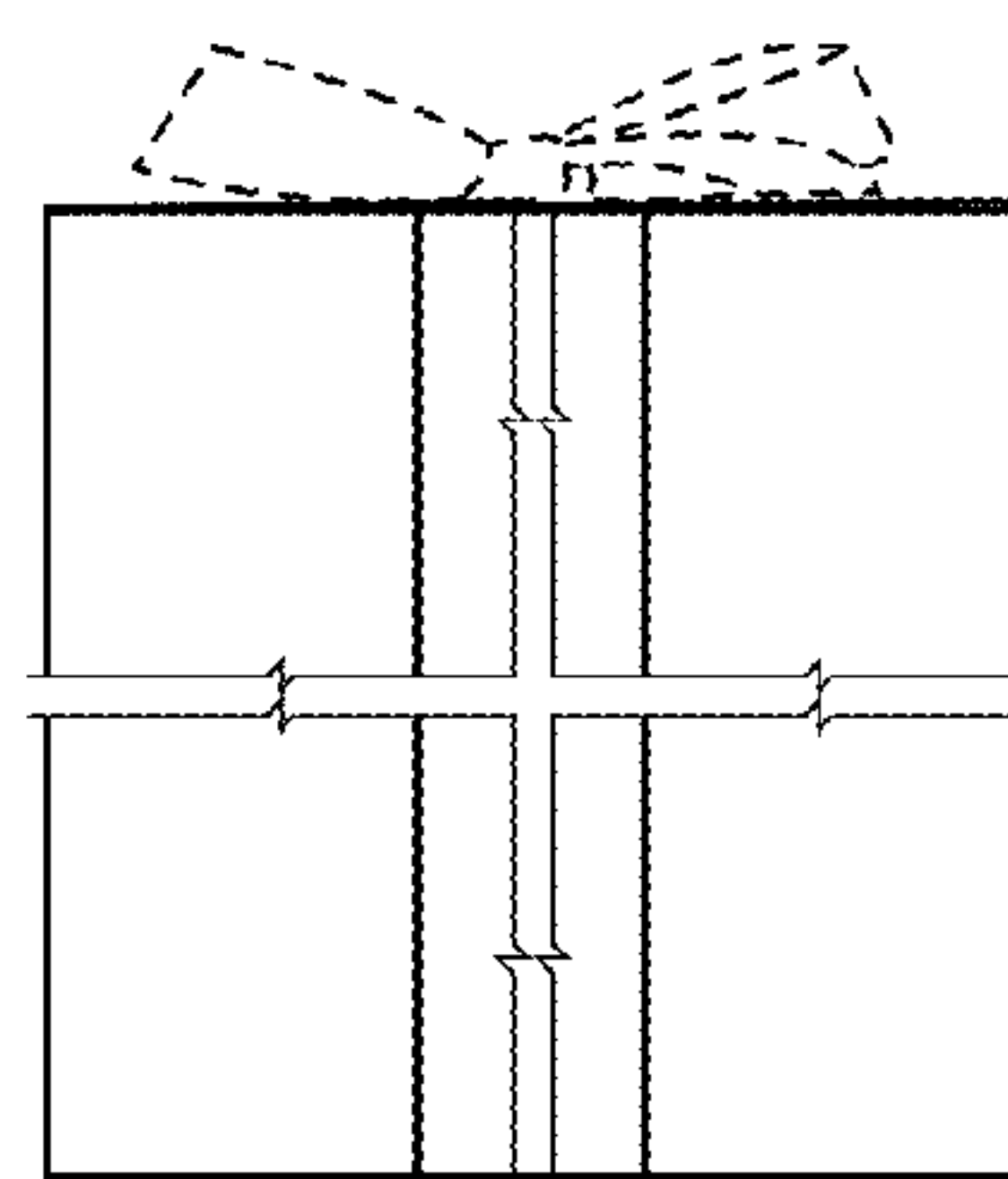


FIG. 7

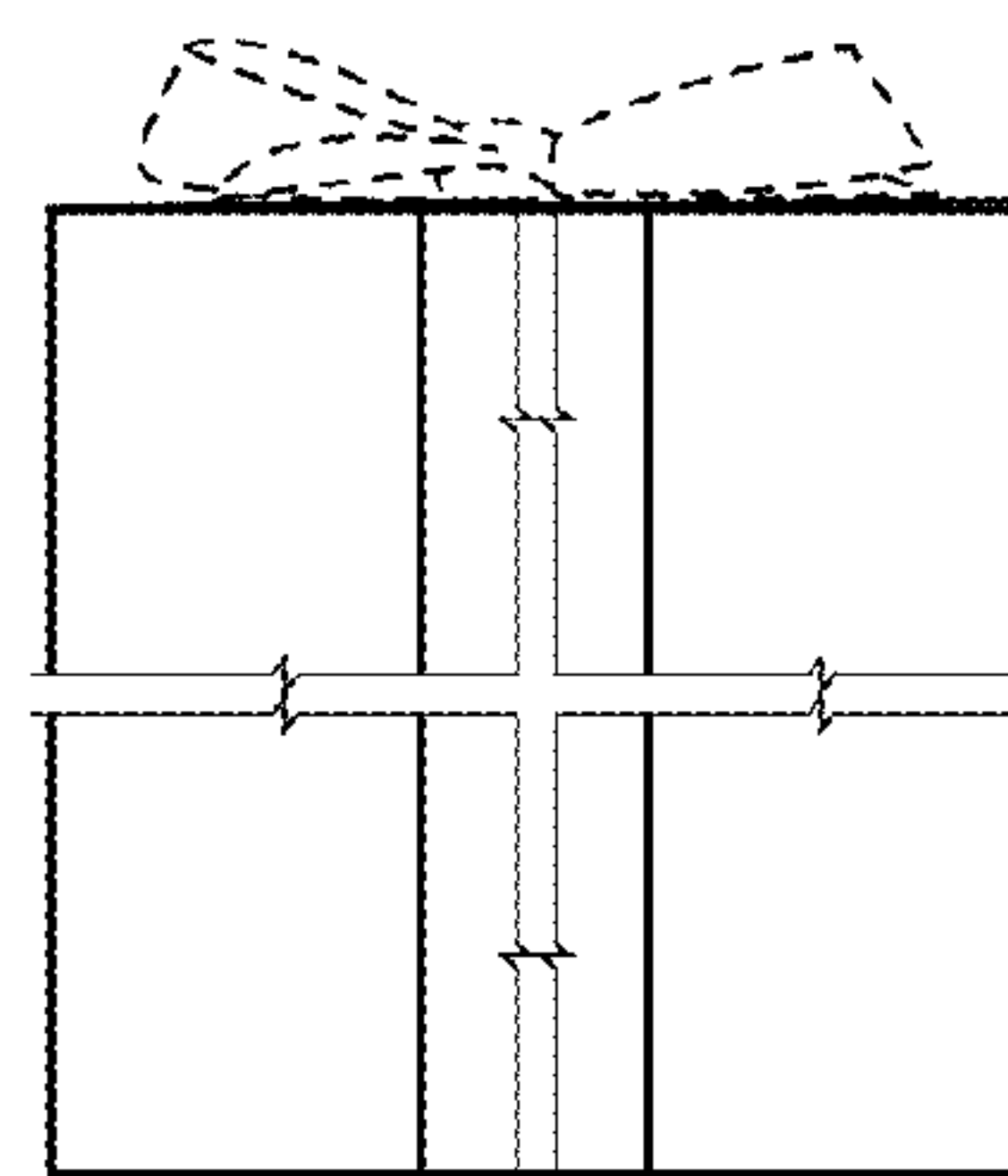


FIG. 8

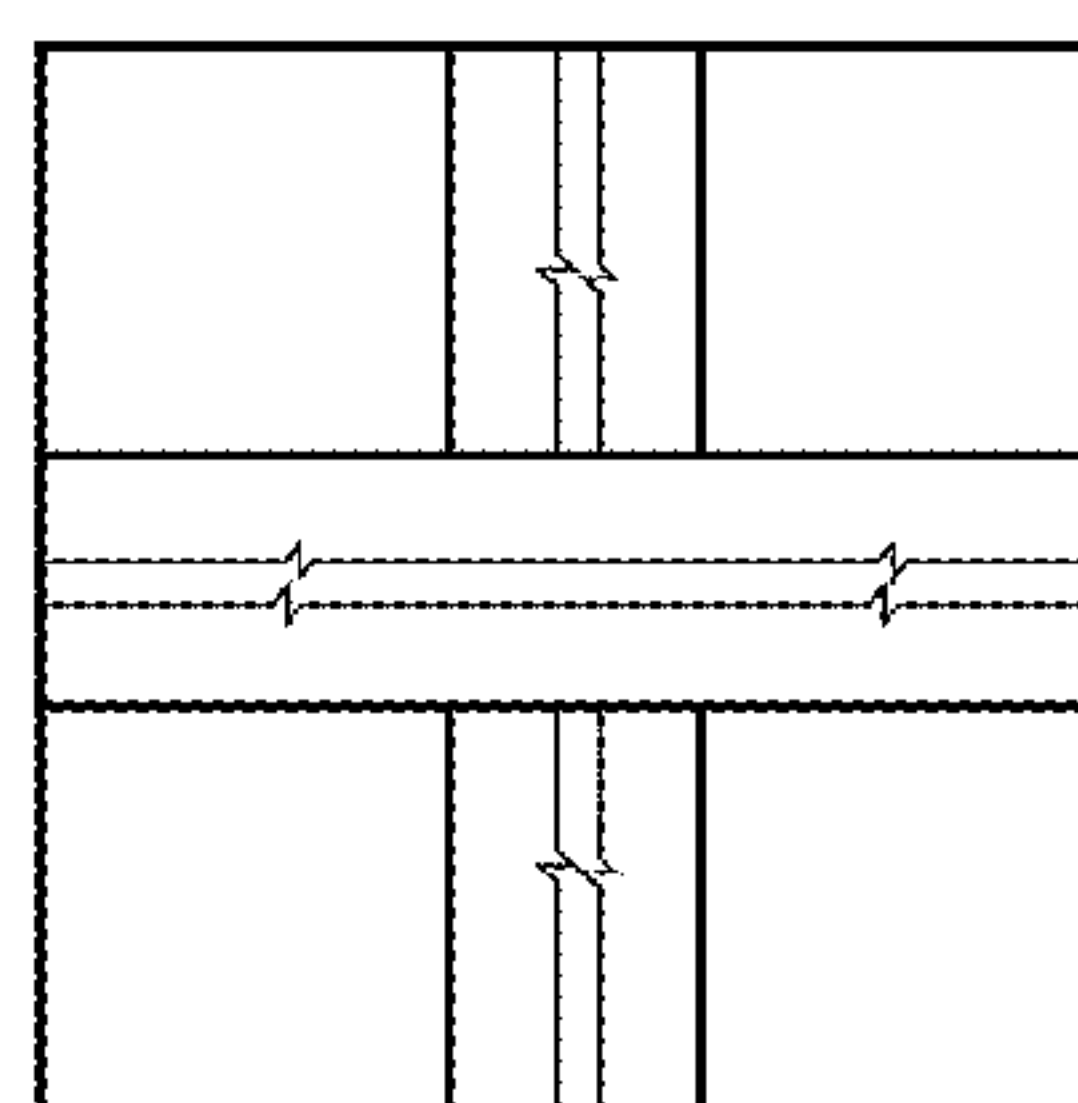


FIG. 9

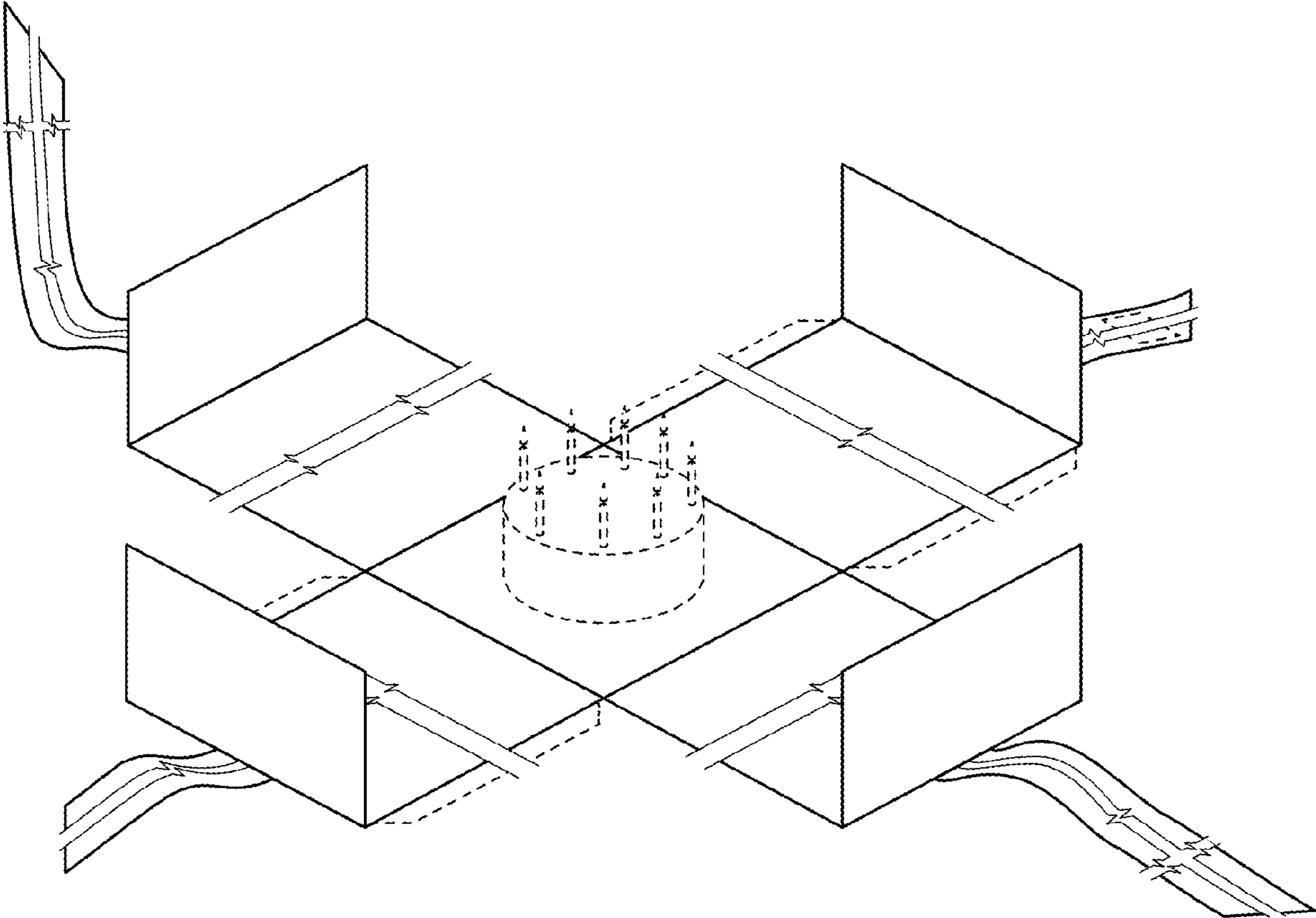


FIG. 10

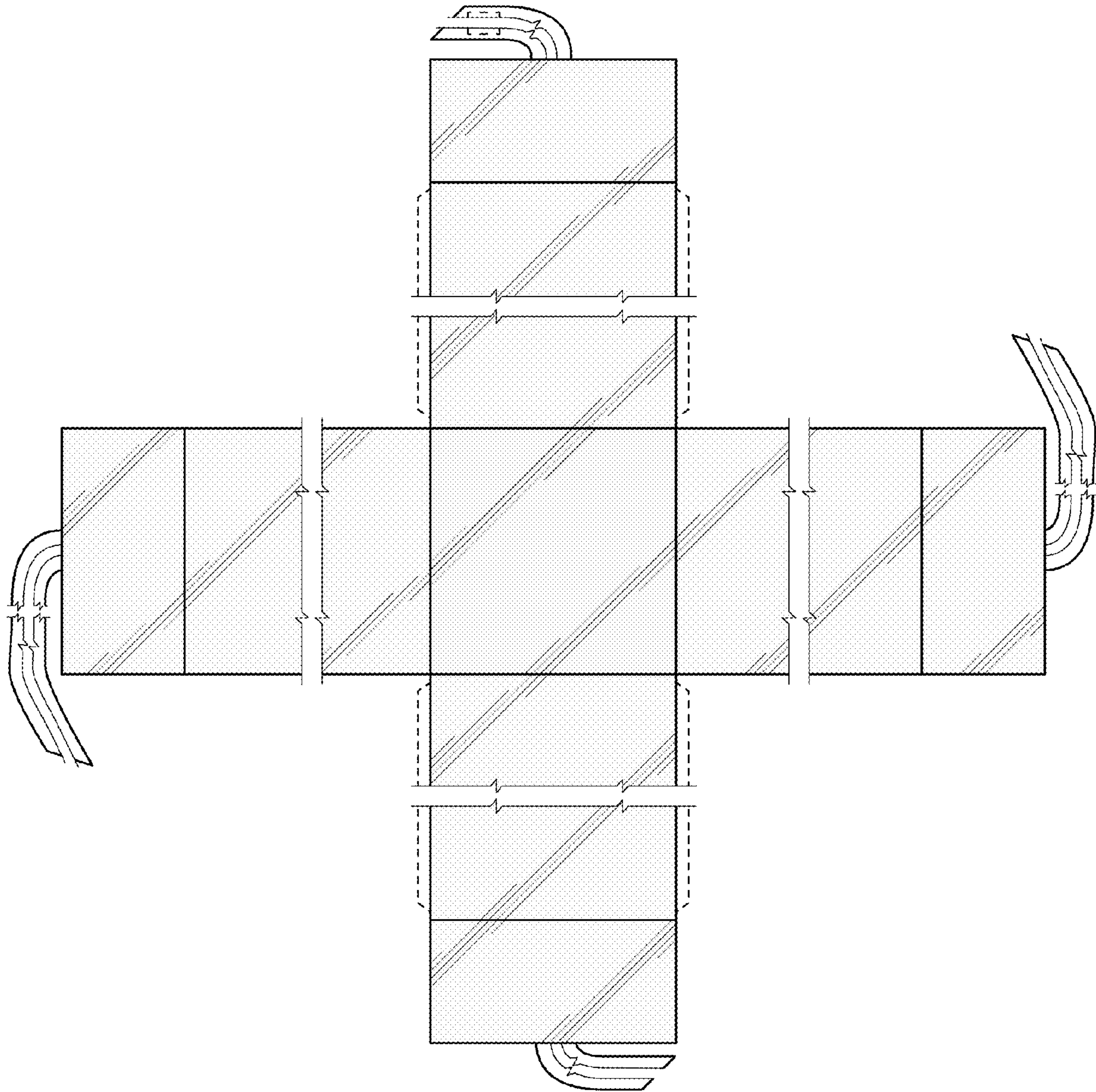


FIG. 11

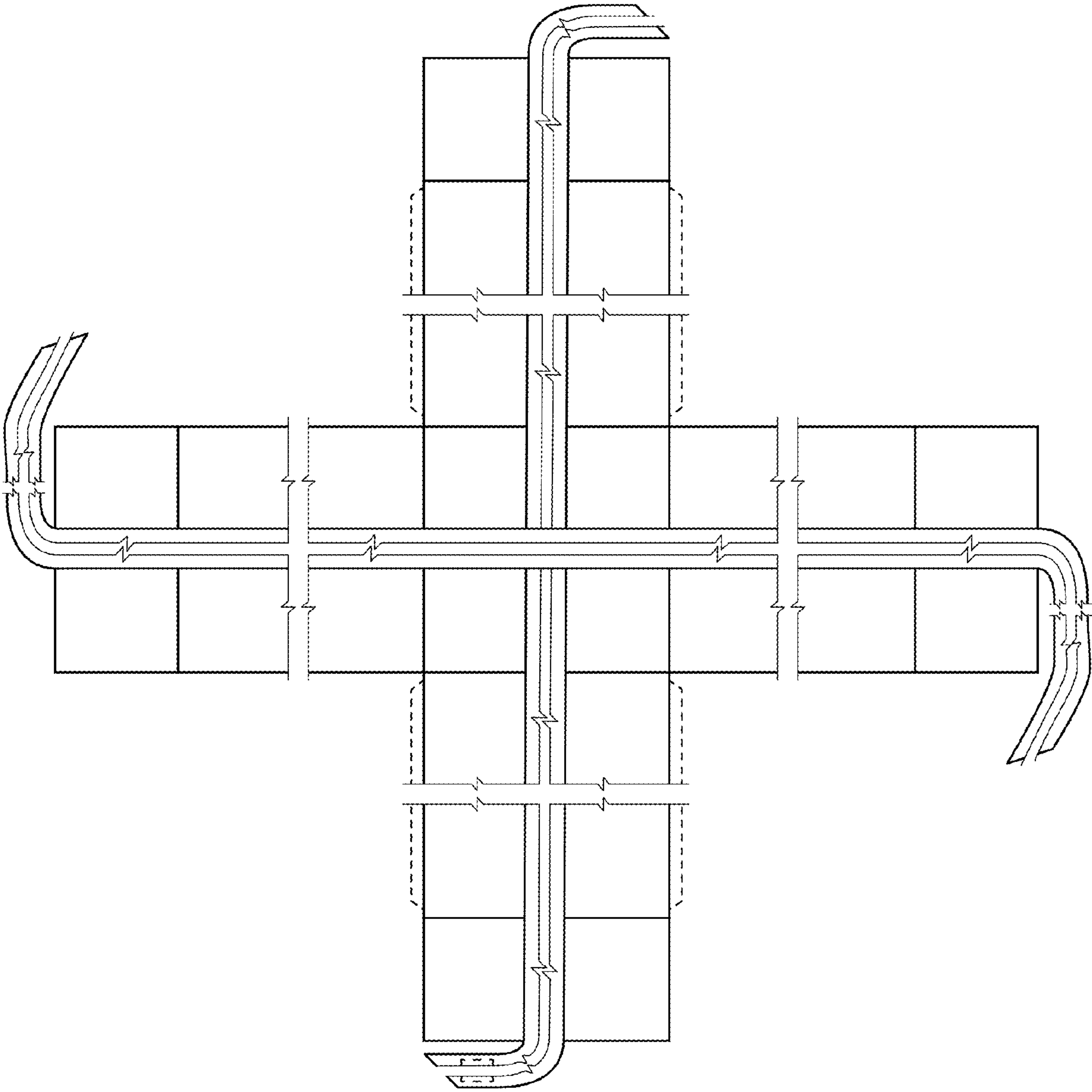


FIG. 12

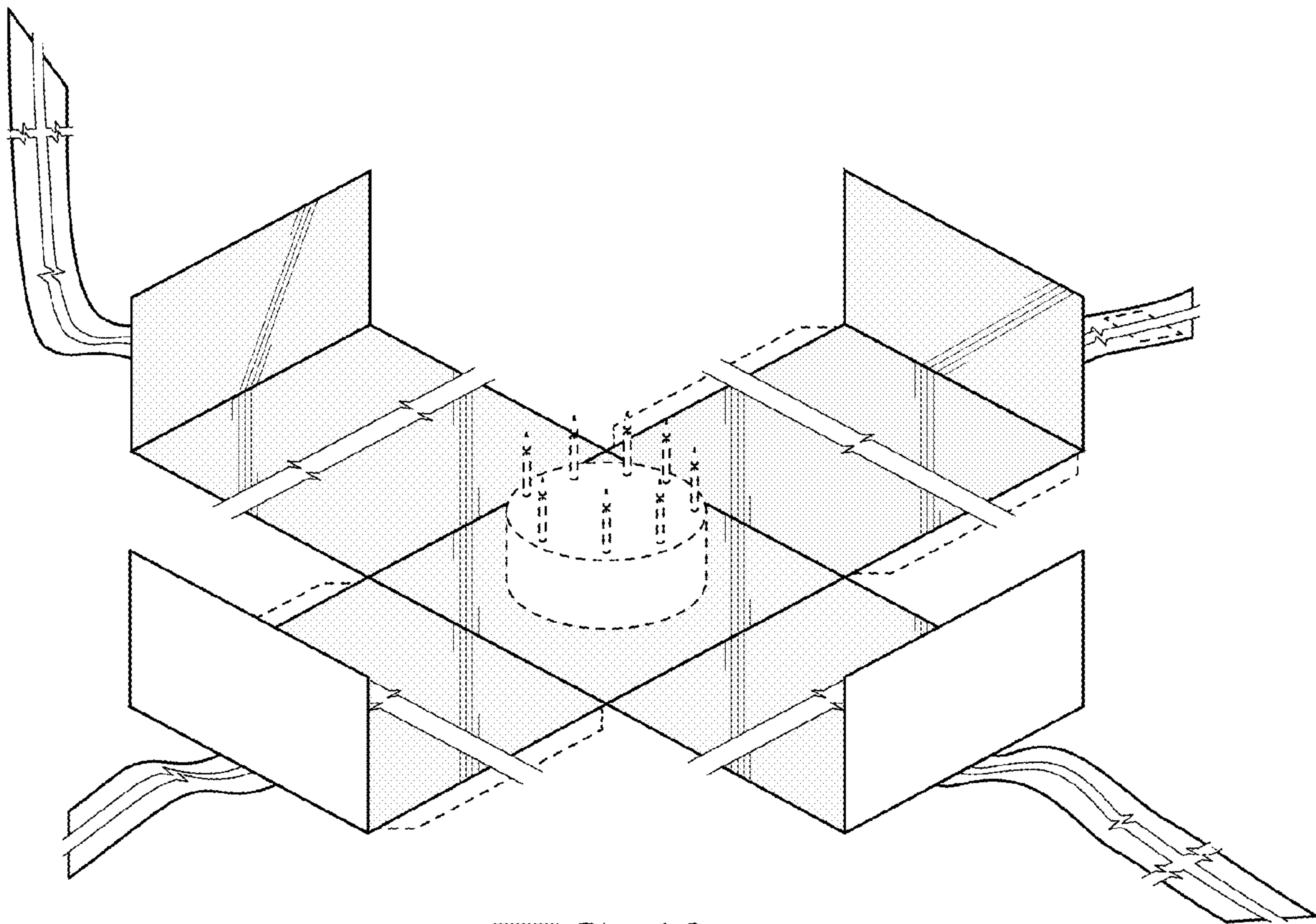


FIG. 13

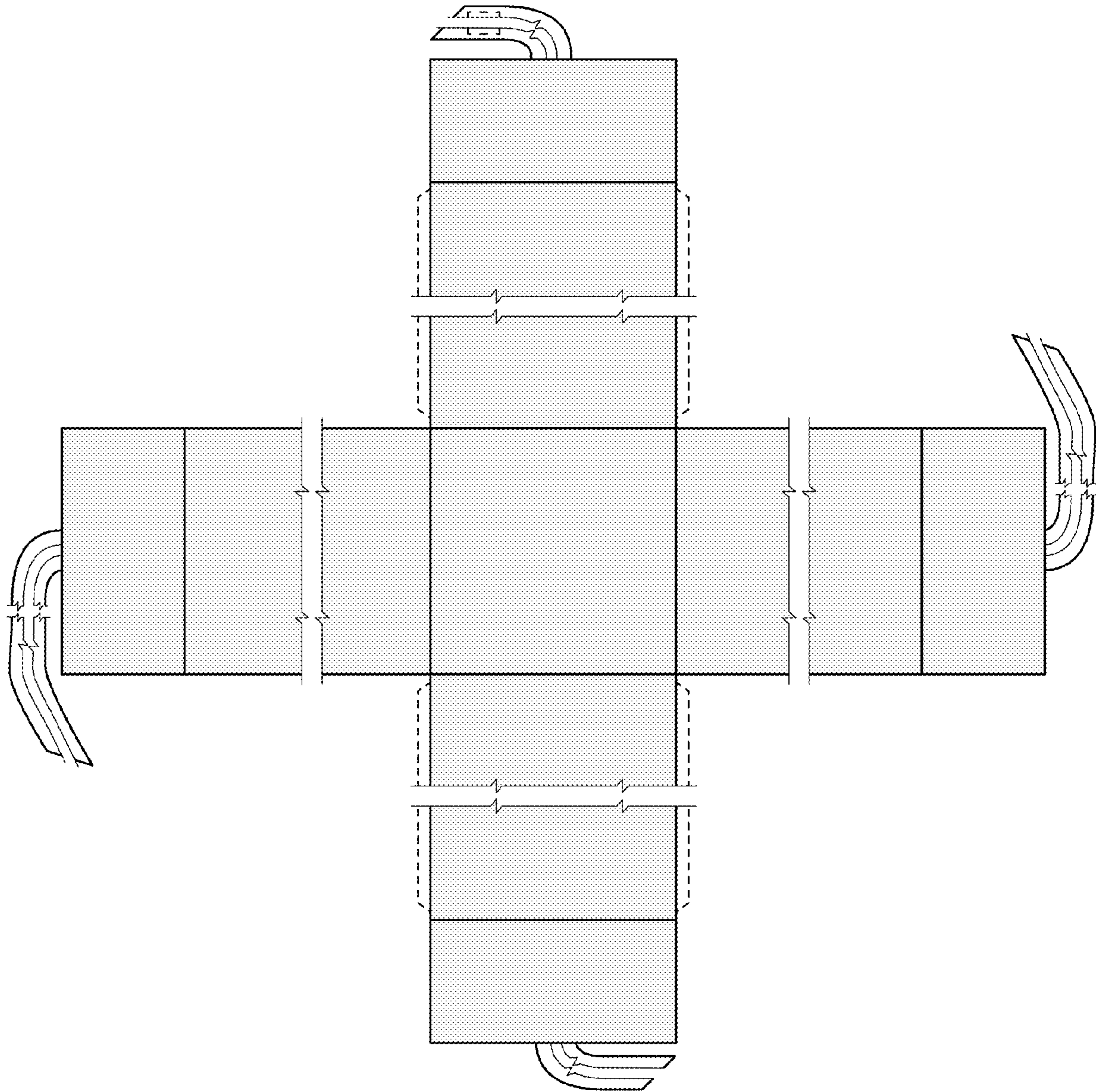


FIG. 14

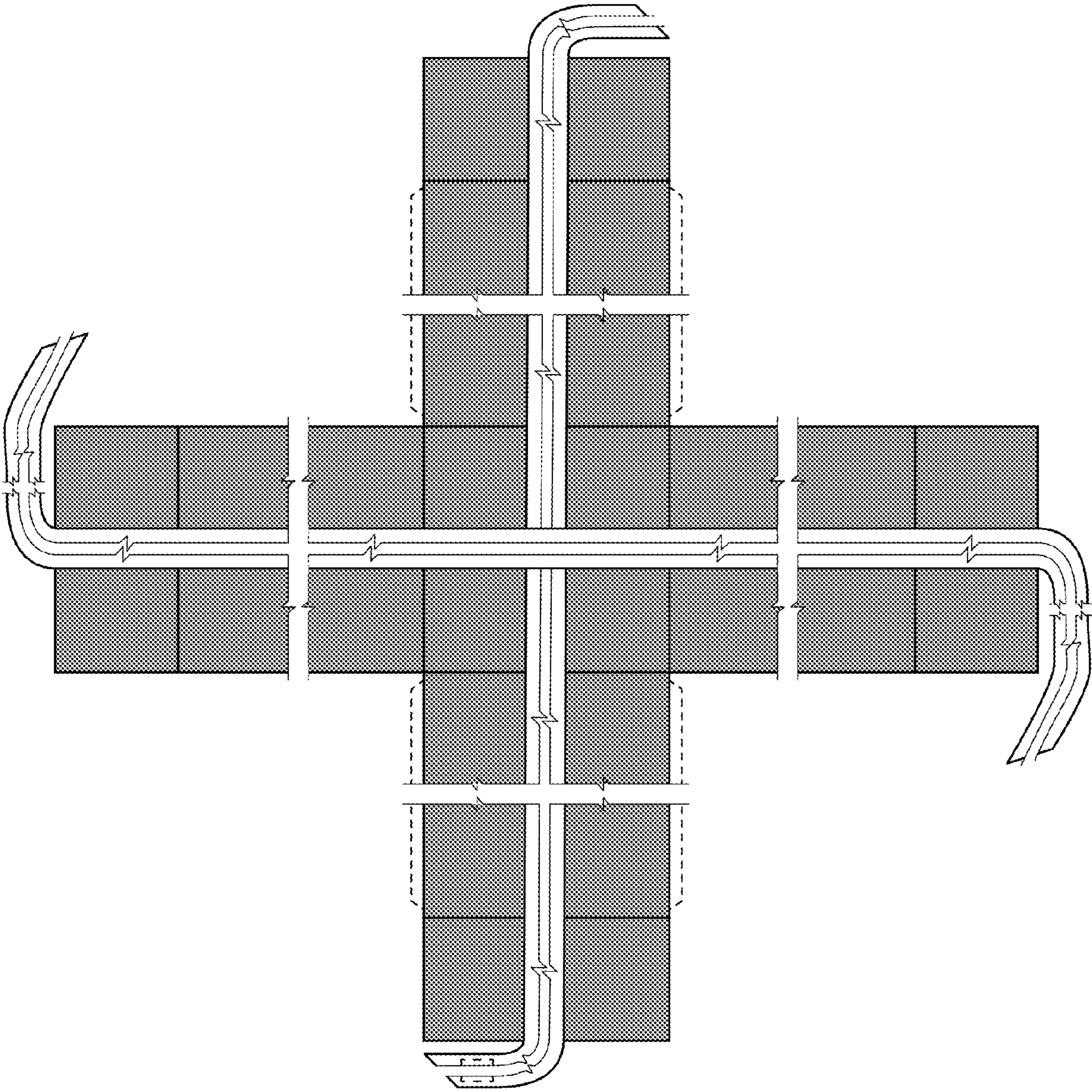


FIG. 15

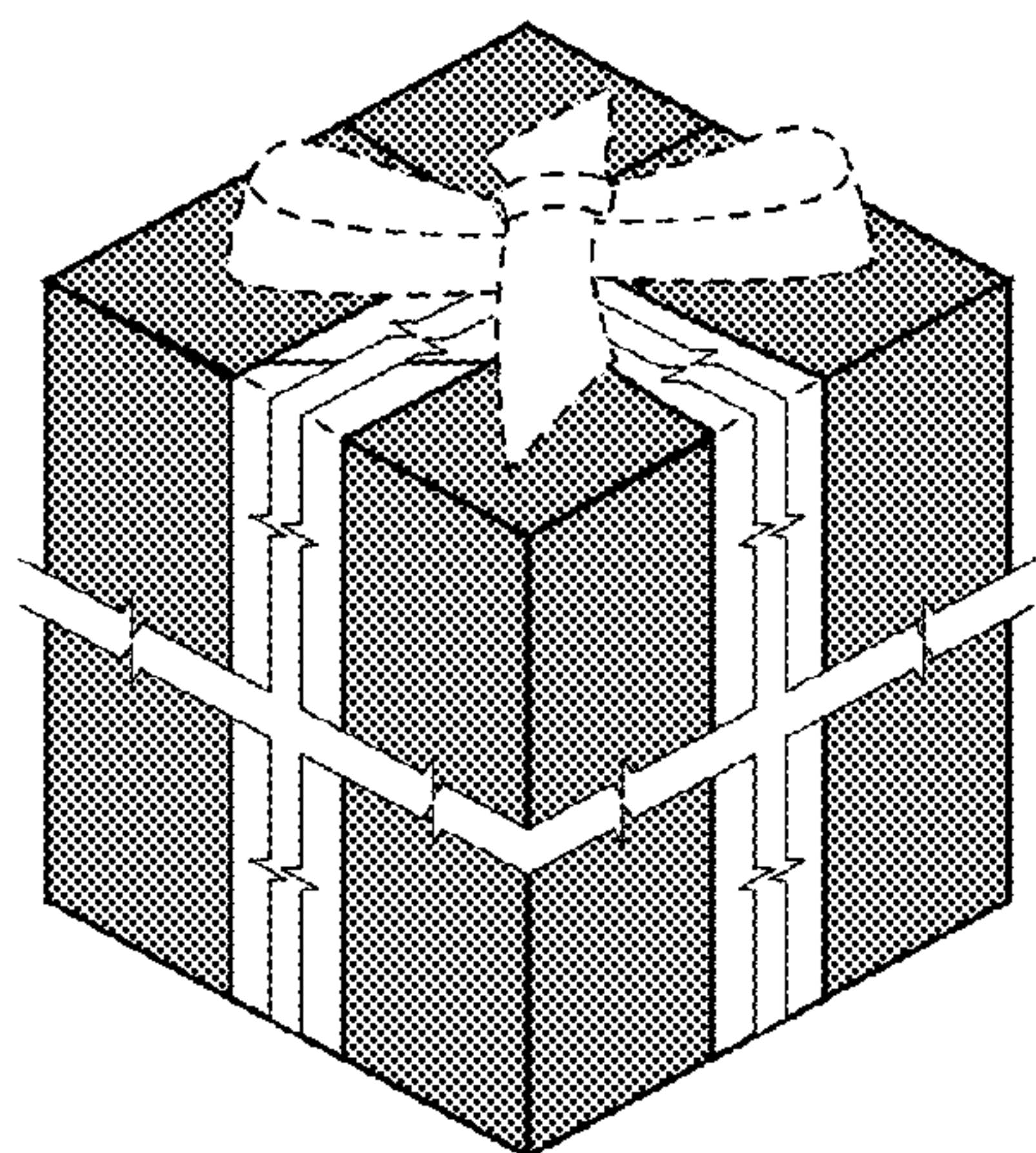


FIG. 16

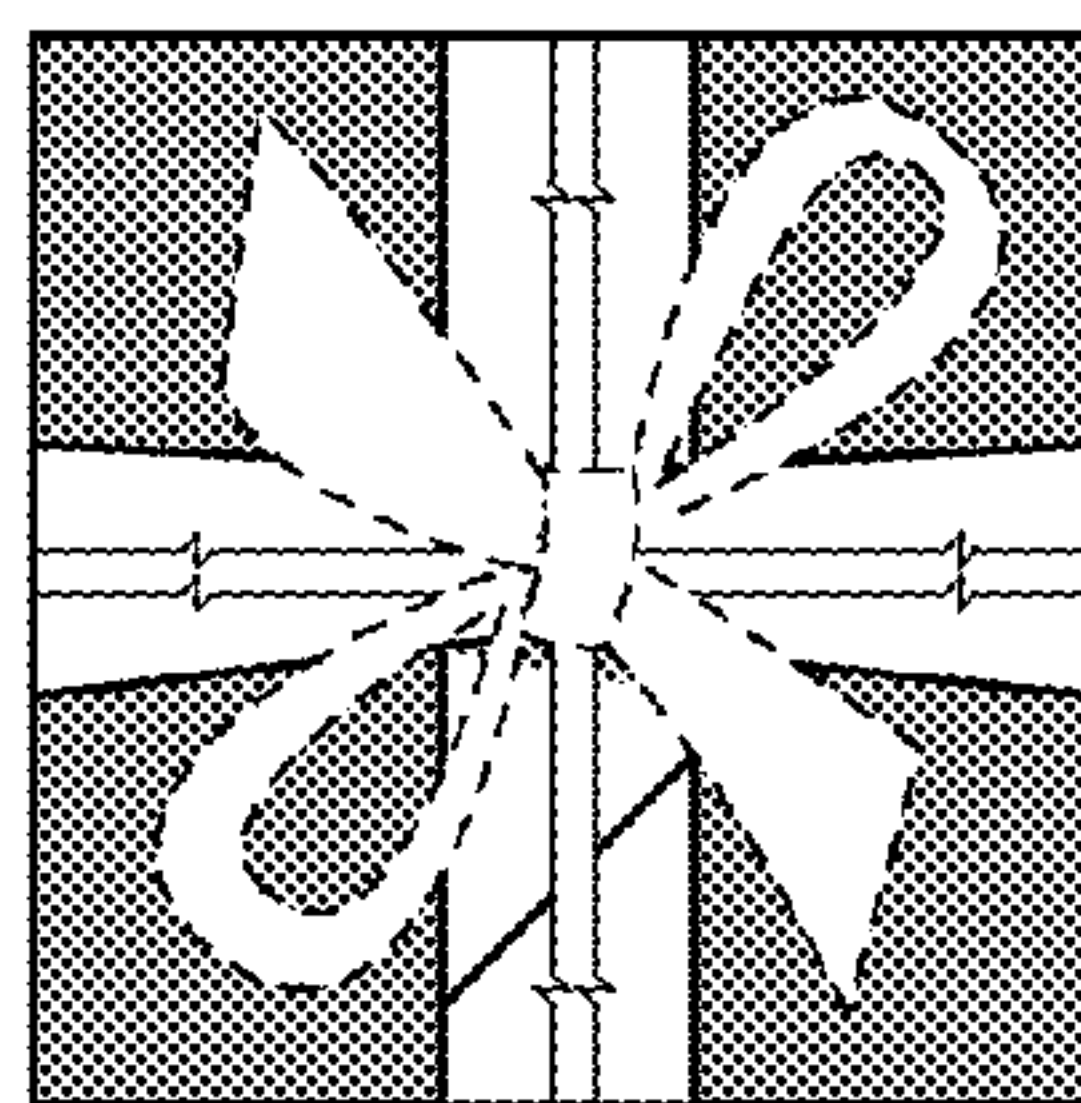


FIG. 17

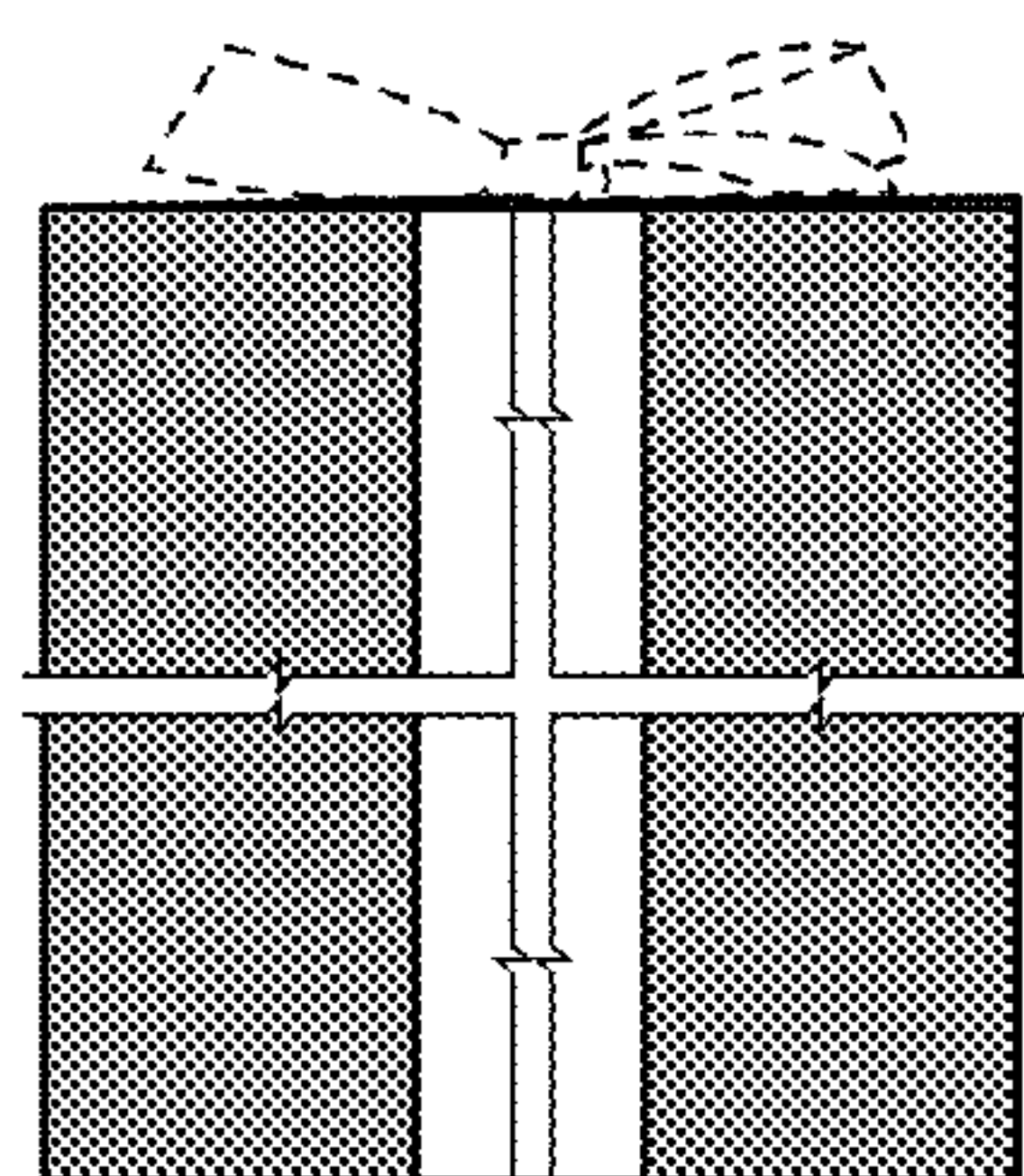


FIG. 18

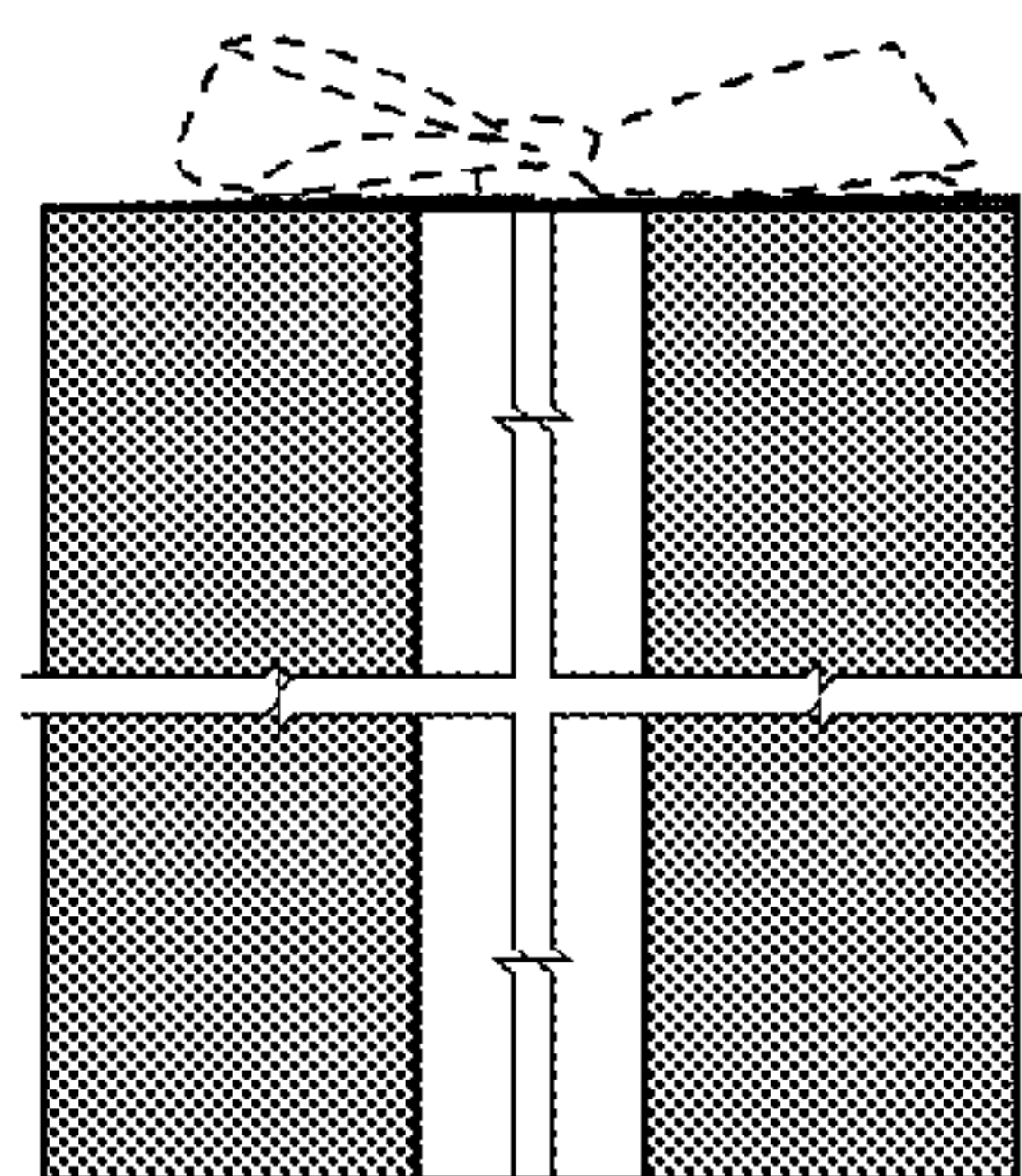


FIG. 19

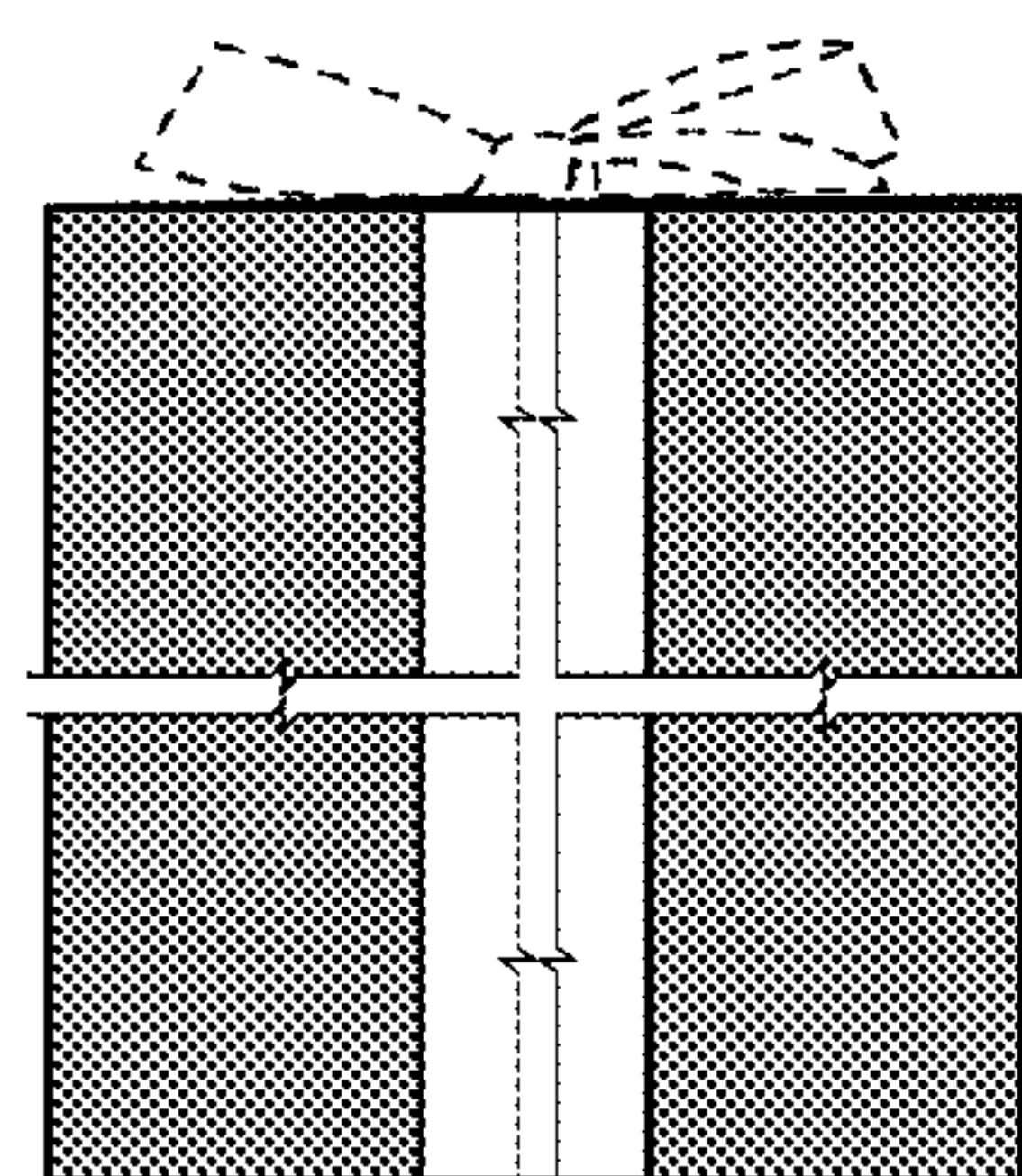


FIG. 20

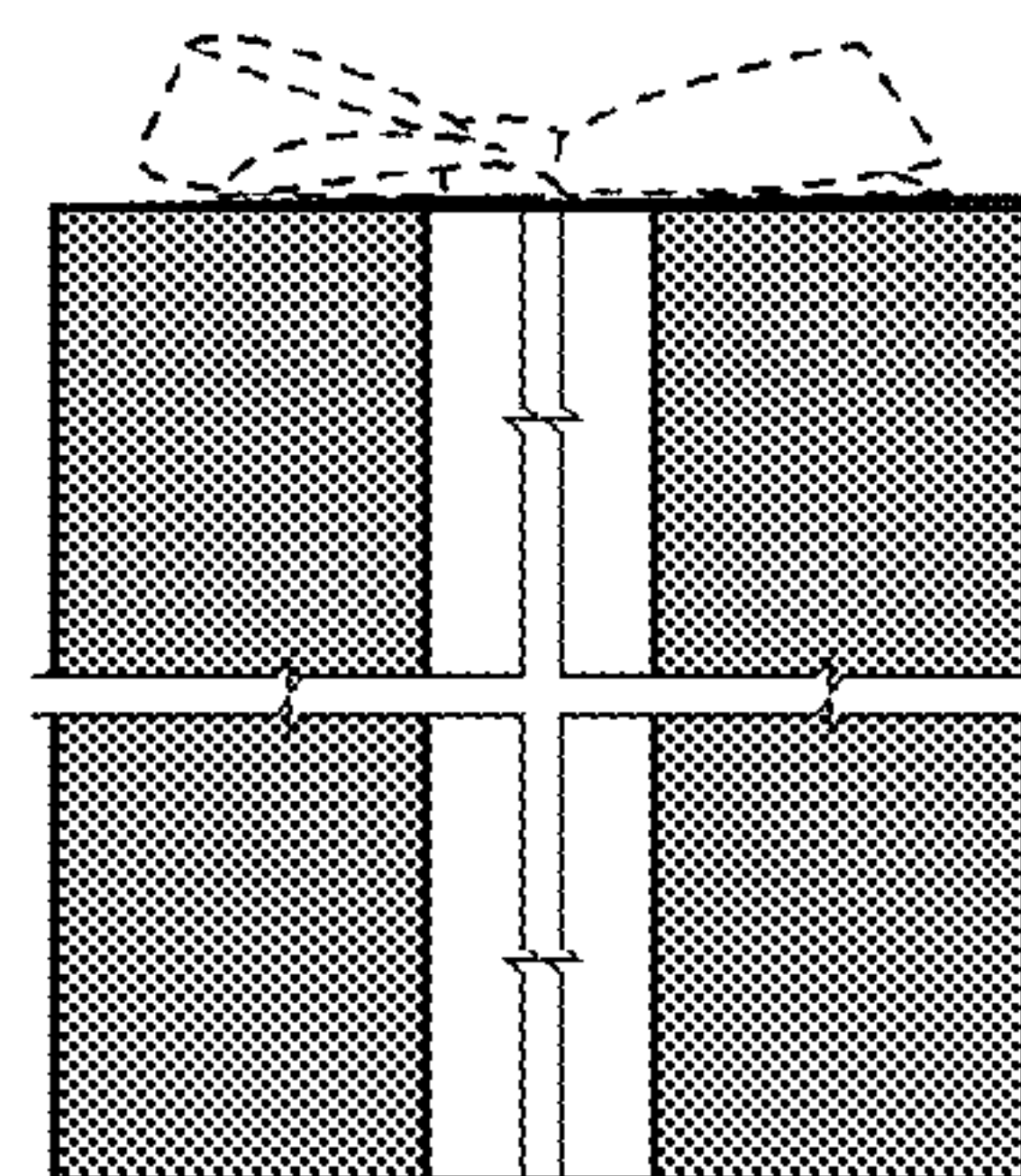


FIG. 21

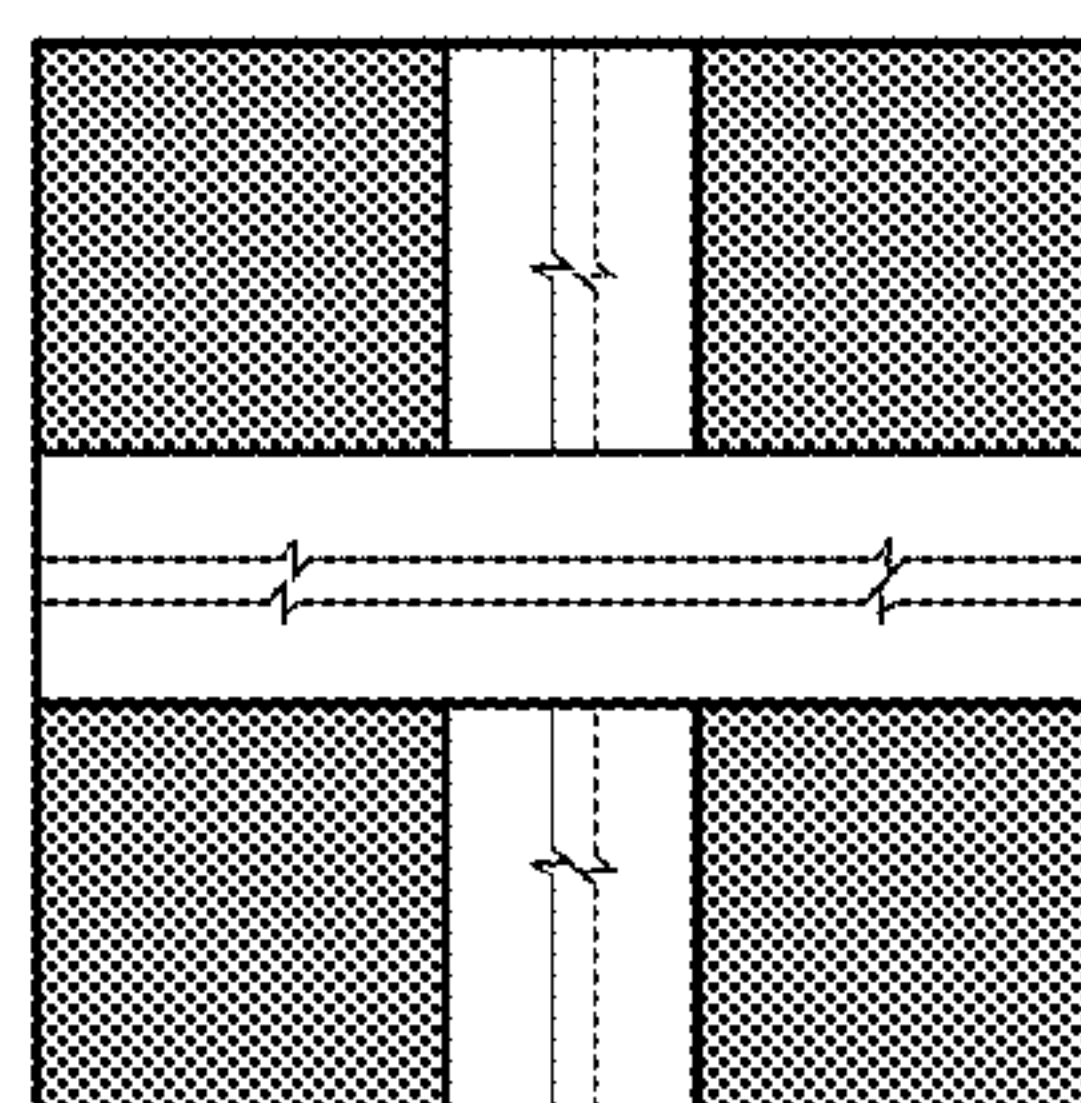


FIG. 22

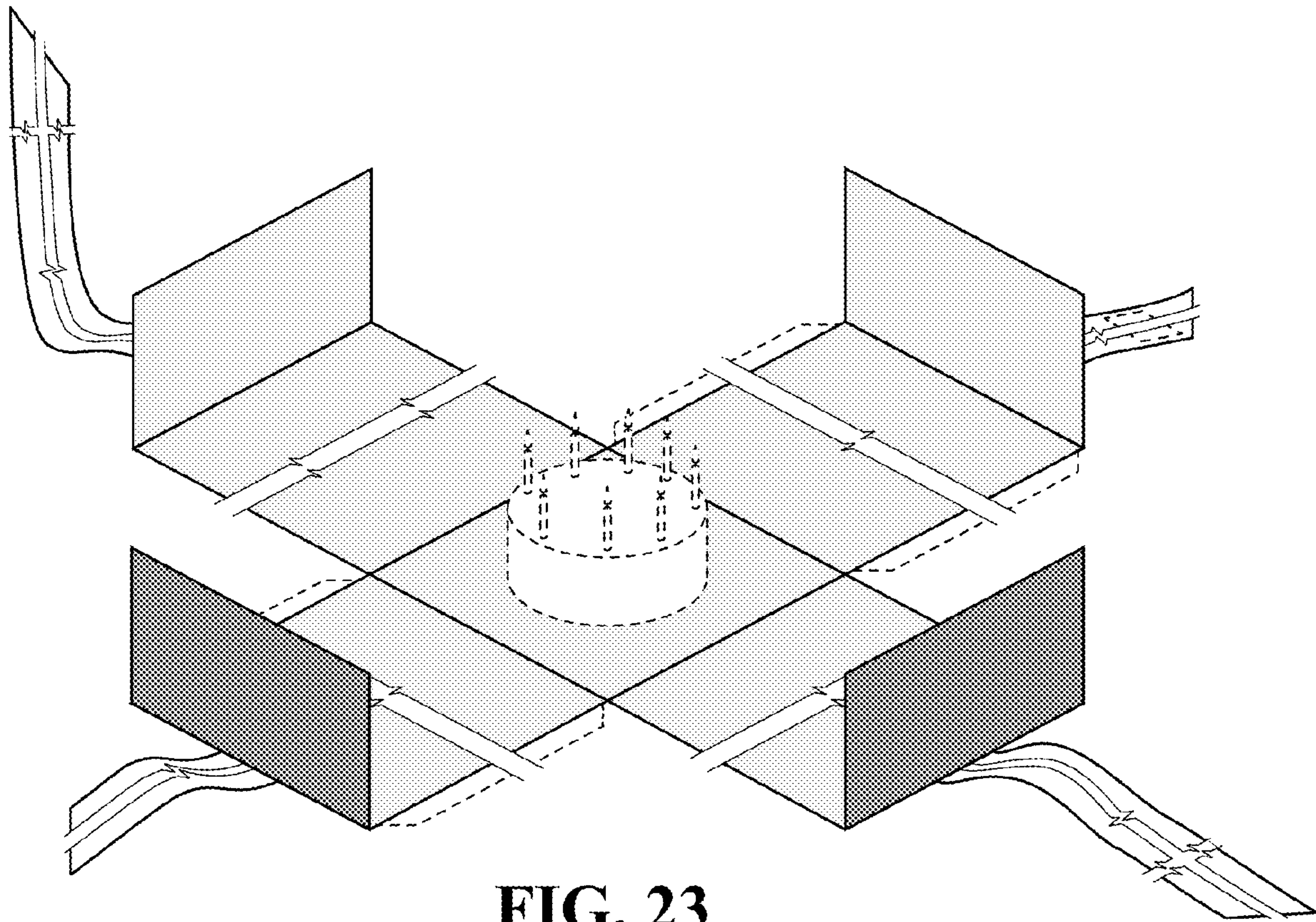


FIG. 23