



US00D980716S

(12) **United States Design Patent**
Lewis

(10) **Patent No.:** **US D980,716 S**
(45) **Date of Patent:** **** Mar. 14, 2023**

- (54) **BOTTLE**
- (71) Applicant: **Integrity Bottles LLC**, Santee, CA (US)
- (72) Inventor: **Zachary Lewis**, Santee, CA (US)
- (73) Assignee: **Integrity Bottles LLC**, Santee, CA (US)
- (**) Term: **15 Years**
- (21) Appl. No.: **29/726,776**
- (22) Filed: **Mar. 5, 2020**
- (51) **LOC (14) Cl.** **09-01**
- (52) **U.S. Cl.**
USPC **D9/564; D9/668**
- (58) **Field of Classification Search**
USPC D9/516, 519, 544-546, 549, 554, 560,
D9/563, 564, 572, 632; D28/91.1
CPC B65D 1/02; B65D 1/0223; B65D 1/023;
B65D 1/0261; B65D 2501/0009; B65D
2501/0081; B65D 2501/009
See application file for complete search history.

(56) **References Cited**

U.S. PATENT DOCUMENTS

D472,474 S *	4/2003	Headen	D9/551
D578,895 S *	10/2008	Aravot	D9/535
D630,520 S *	1/2011	Yu	D28/91.1
D638,716 S *	5/2011	Eisen	D9/535
D692,304 S *	10/2013	Cota Castillo	D9/543
D859,082 S *	9/2019	Wolfgram	D21/708
D883,031 S *	5/2020	Wolfgram	D7/901
D918,726 S *	5/2021	Bell	D9/542
D932,310 S *	10/2021	Hainaut	D9/551
D942,860 S *	2/2022	Bridges	D9/564

OTHER PUBLICATIONS

Grain+Oak 11oz Whiskey Glass Embedded Golf Ball, [online], site visited Mar. 2, 2022. Available from Internet, URL: <http://www.grainandoak.com> (Year: 2022).*

Integrity Bottles Premium Golf Bottle, announced Nov. 30, 2019, [online], site visited Mar. 2, 2022. Available from Internet, URL: <http://www.integritybottles.com> (Year: 2019).*
Military Veteran Products American Flag Golf Ball Glass, [online], site visited Mar. 2, 2022. Available from Internet, URL: <http://www.marinecorpshop.com> (Year: 2022).*

* cited by examiner

Primary Examiner — Janice Patyk

(74) Attorney, Agent, or Firm — Troutman Pepper Hamilton Sanders LLP; John A. Morrisett; Aaron E. Johnston

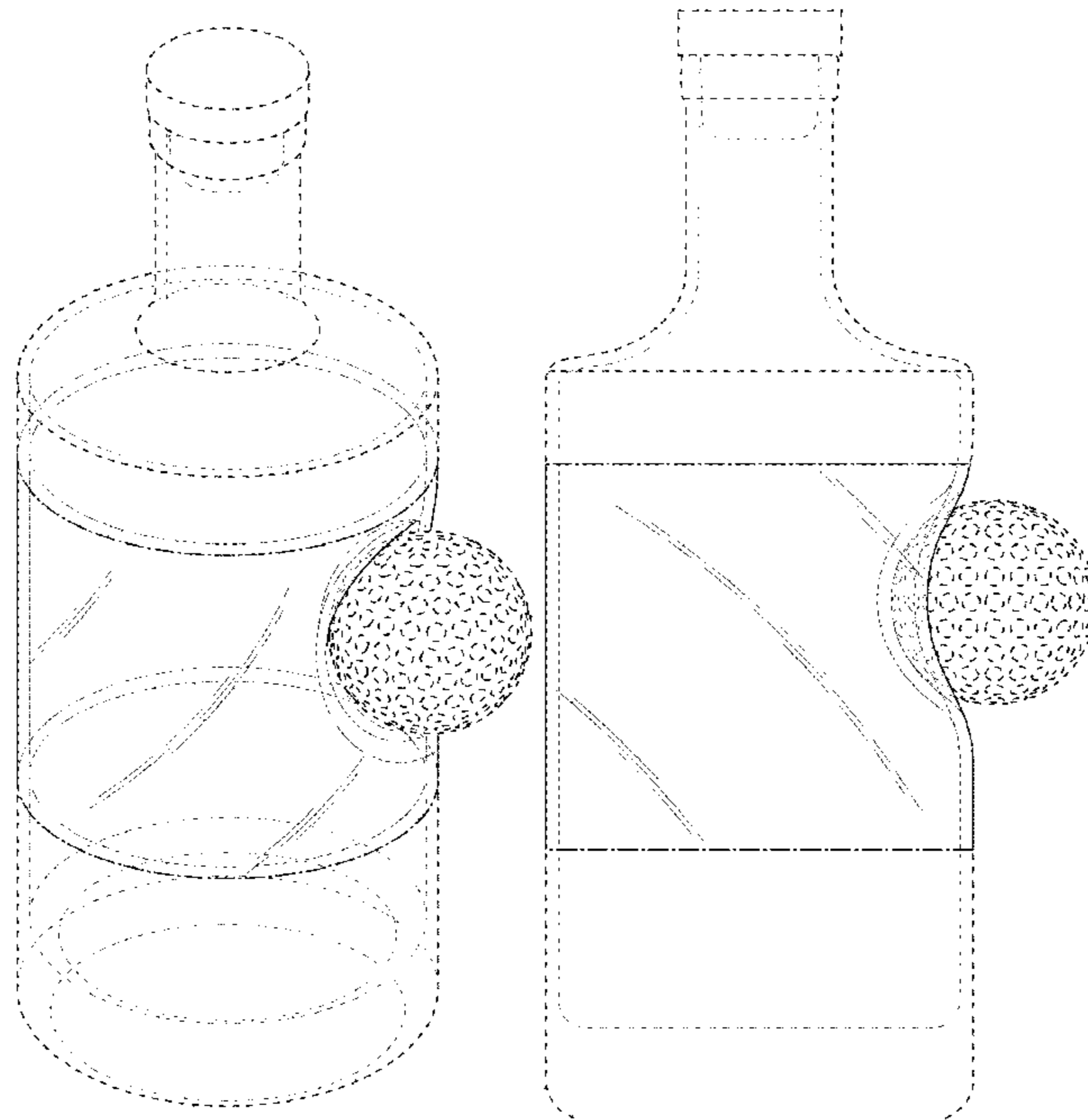
(57) **CLAIM**

I claim the ornamental design for a bottle, as shown and described.

DESCRIPTION

FIG. 1 is a top perspective view of a bottle, showing my new design;
FIG. 2 is a bottom perspective view thereof;
FIG. 3 is a front view thereof;
FIG. 4 is a rear view thereof;
FIG. 5 is a left side view thereof;
FIG. 6 is a right side view thereof;
FIG. 7 is a top plan view thereof; and,
FIG. 8 is a bottom plan view thereof.
The broken lines in the figures illustrate the portions of the bottle and form no part of the claimed design. The dot-dash broken lines immediately adjacent to the claimed areas in the views represent the boundaries of the design and form no part thereof. None of the broken lines form any part of the claimed design.

1 Claim, 8 Drawing Sheets



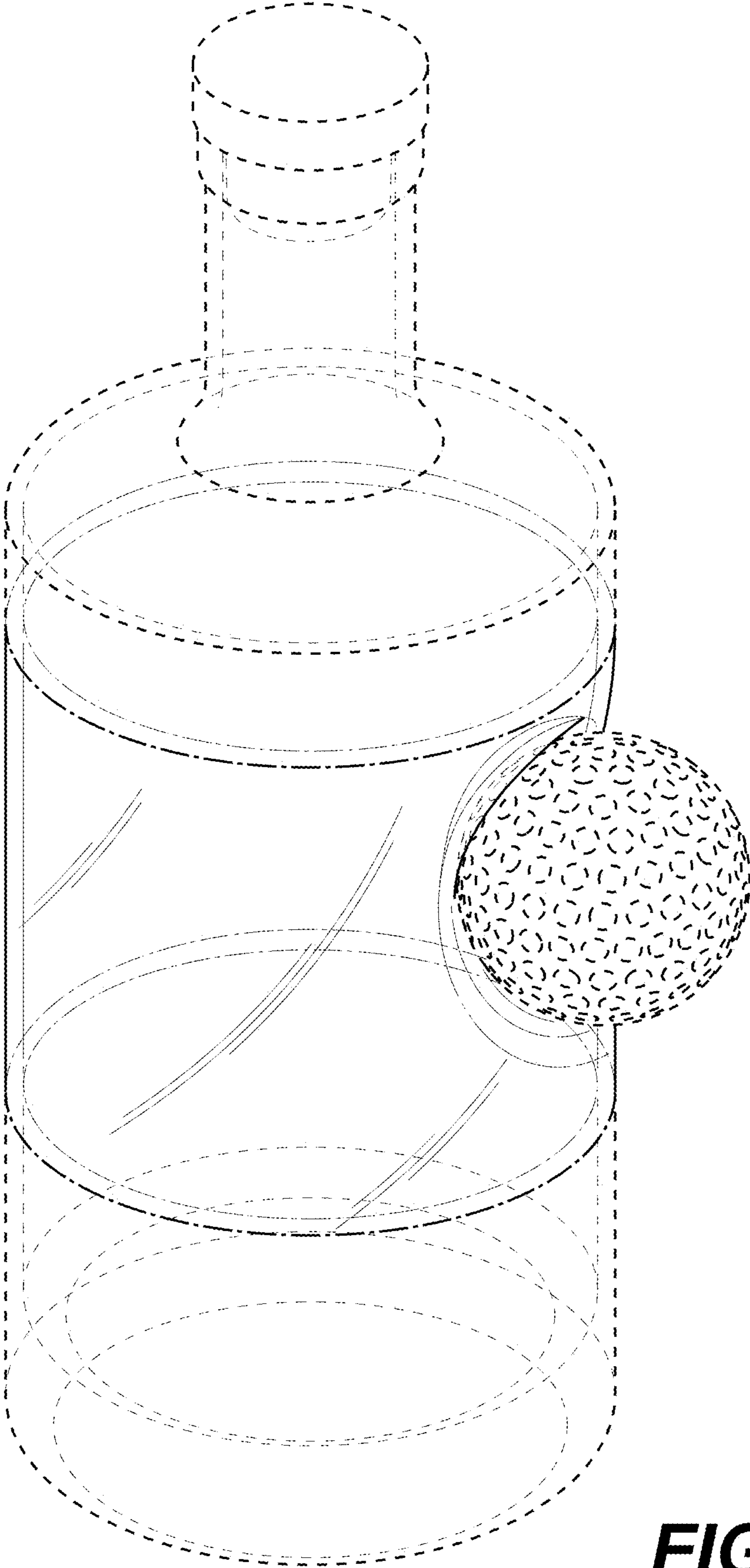


FIG. 1

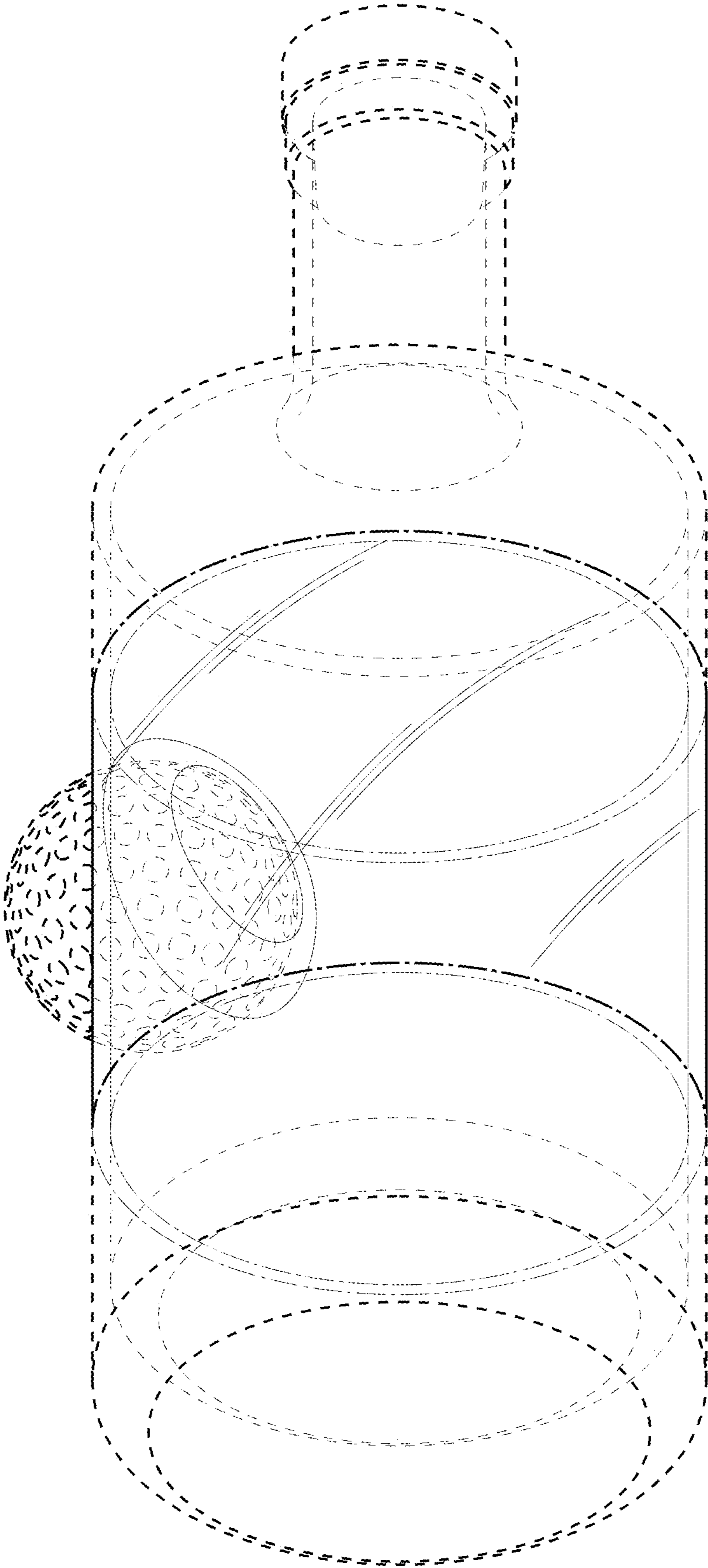


FIG. 2

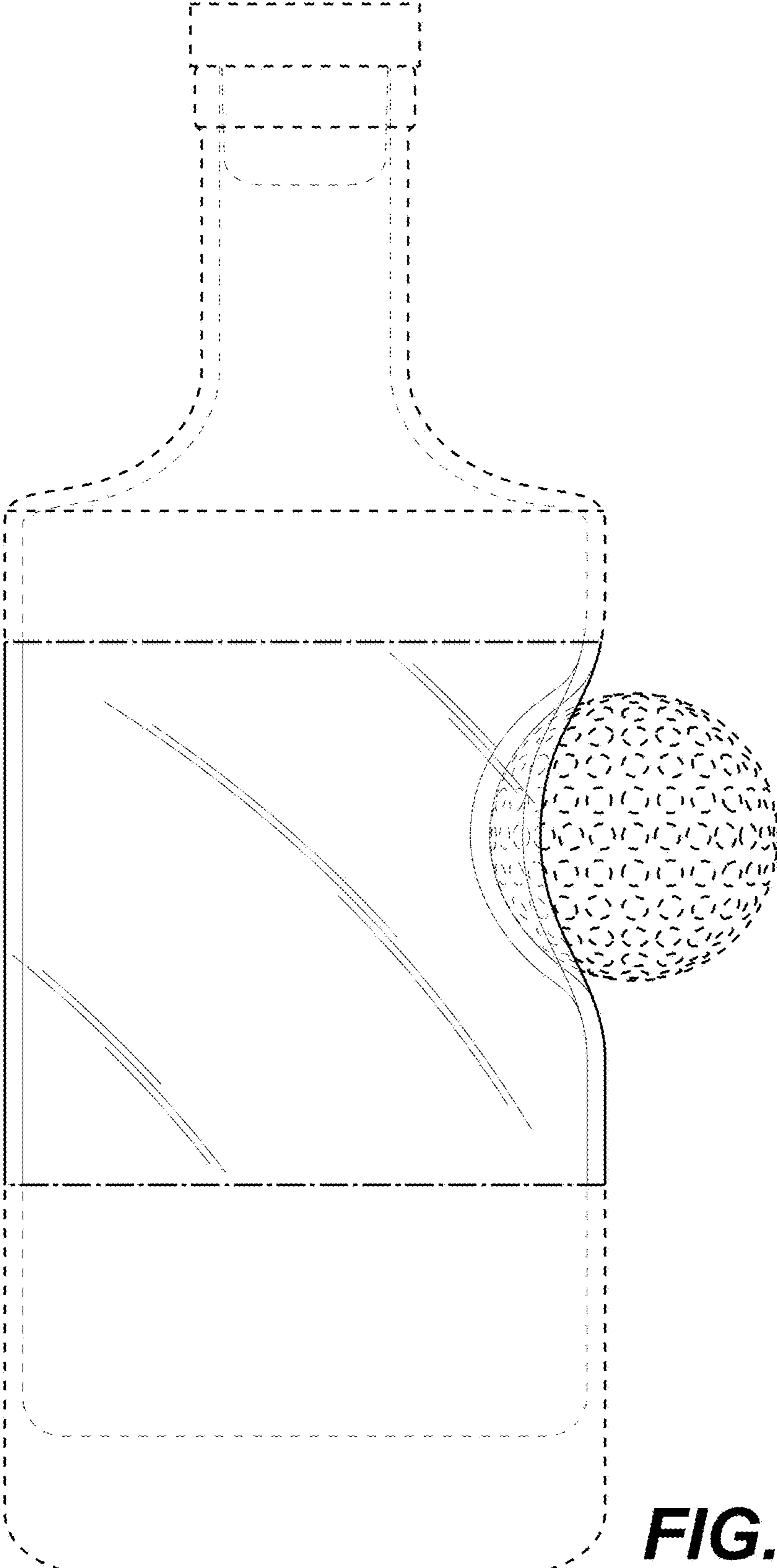


FIG. 3

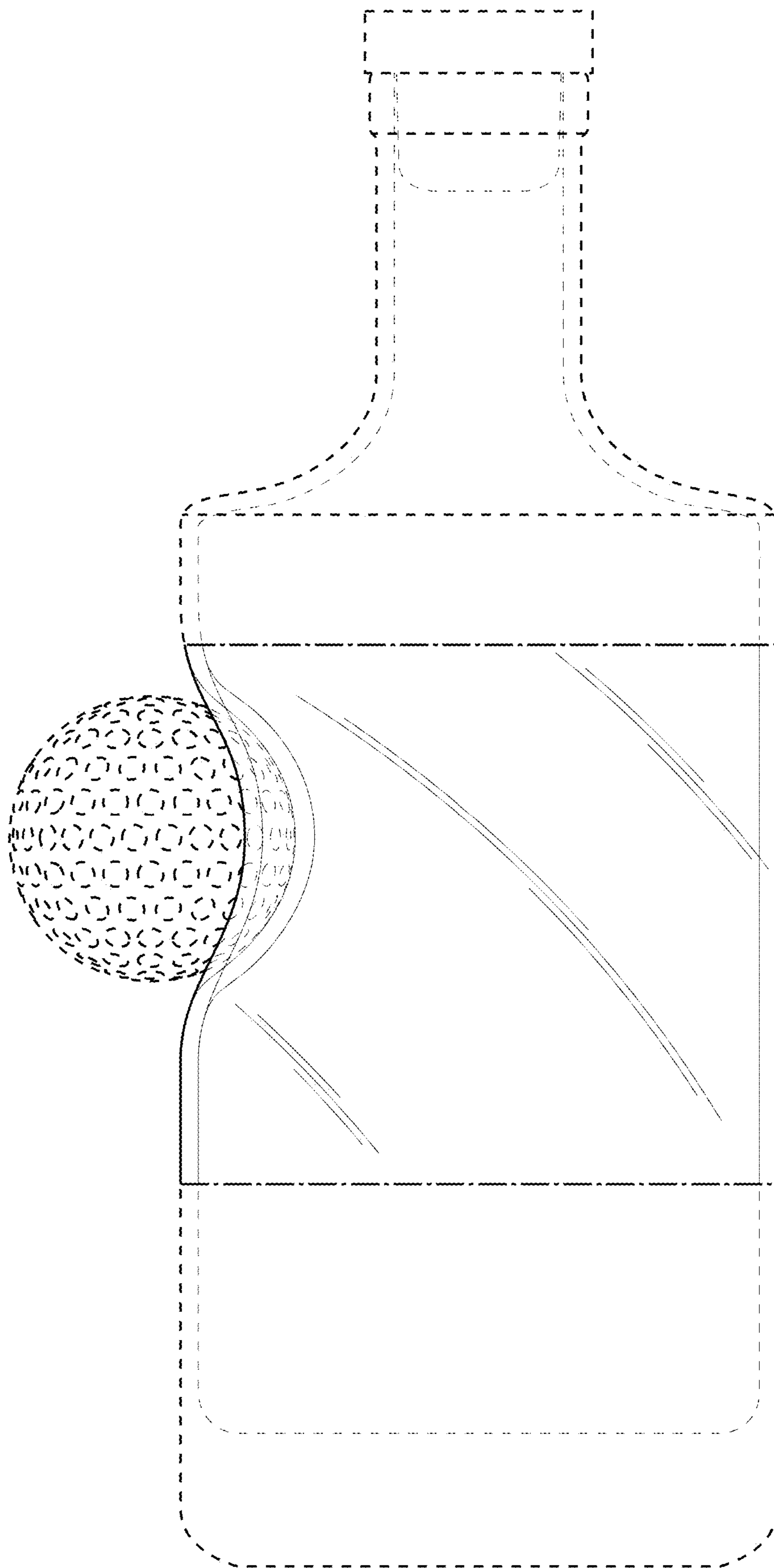


FIG. 4

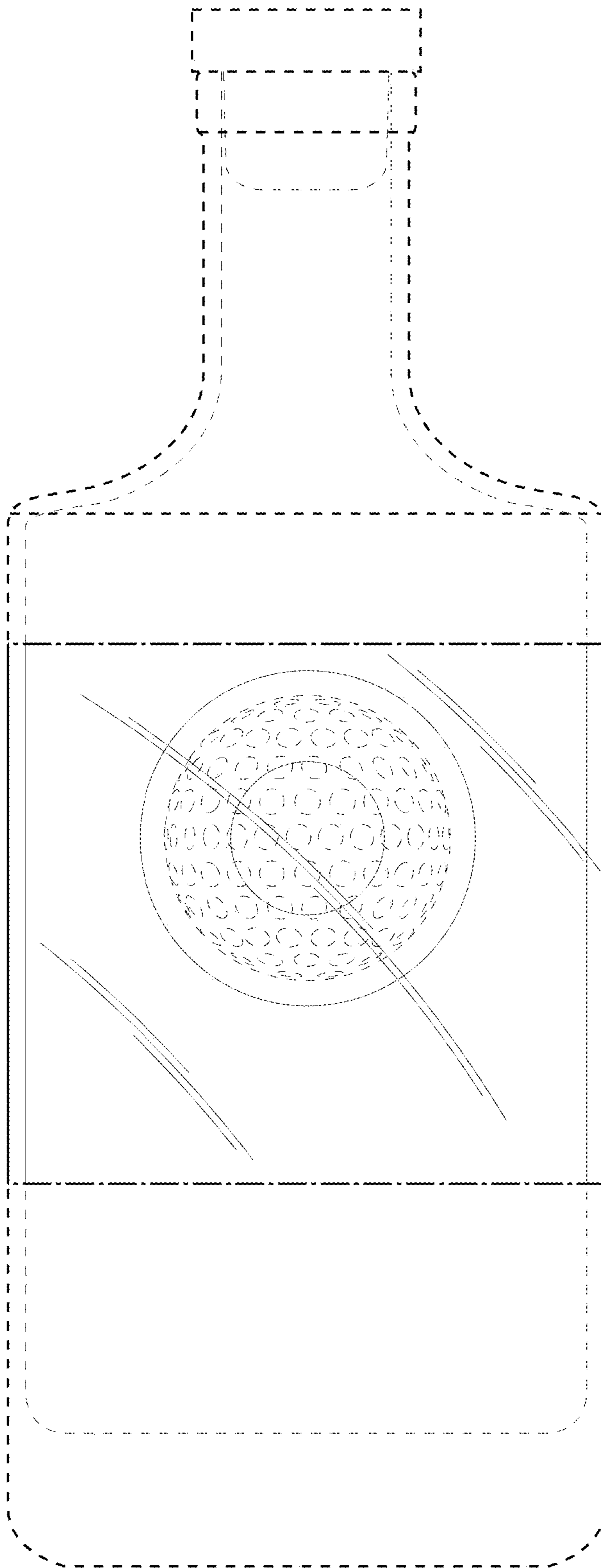


FIG. 5

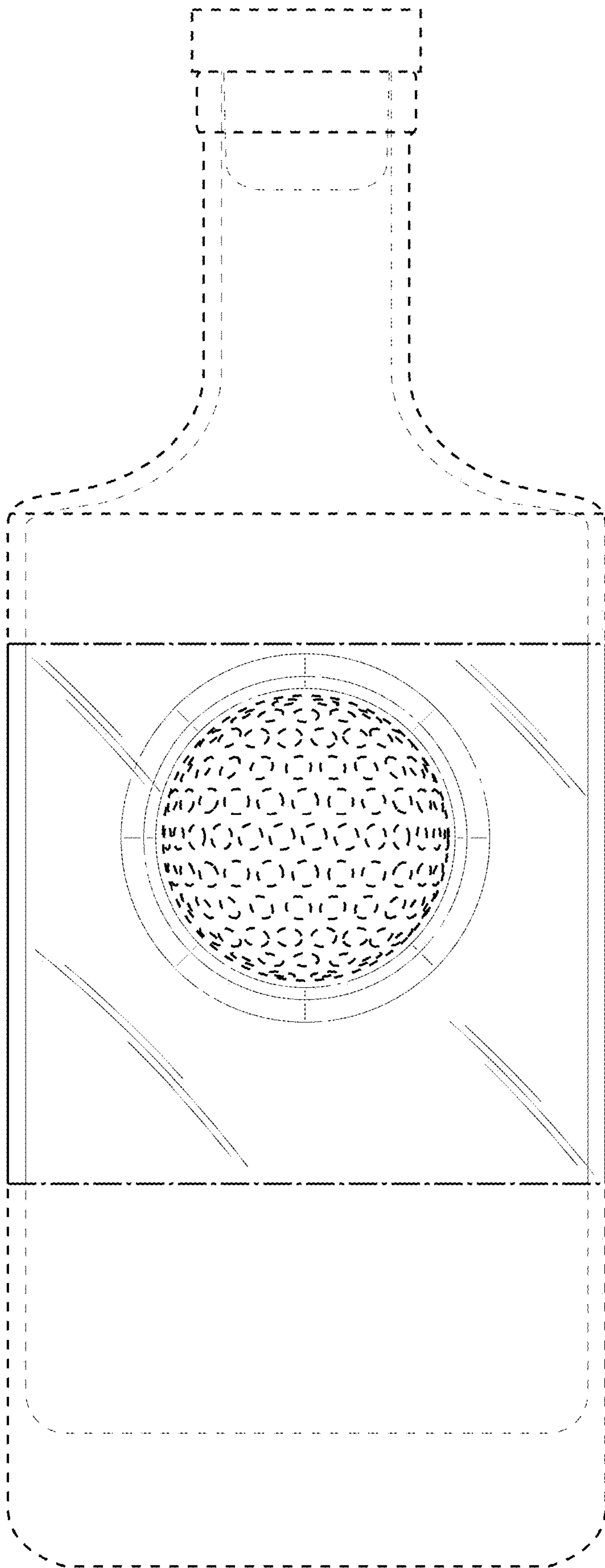


FIG. 6

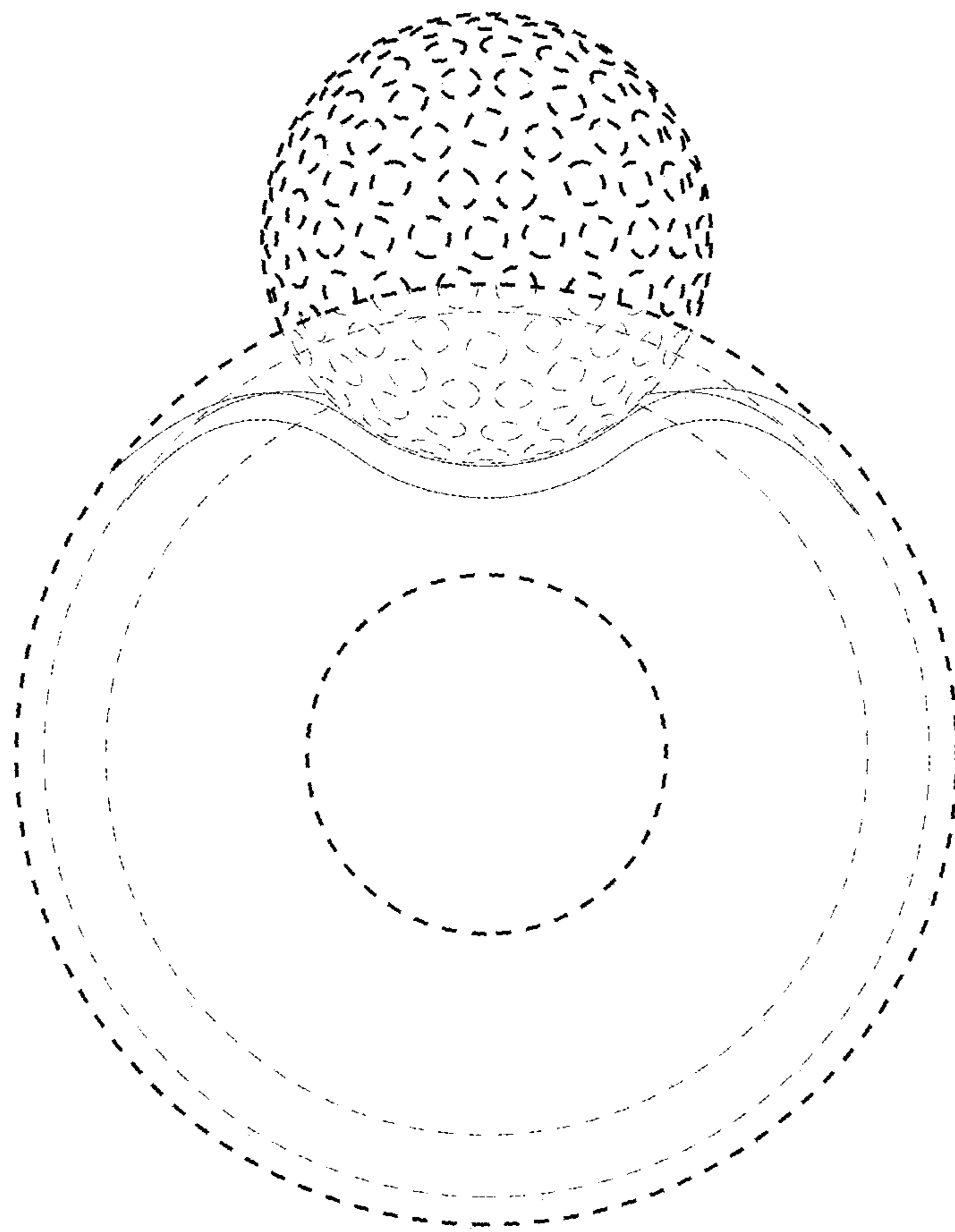


FIG. 7

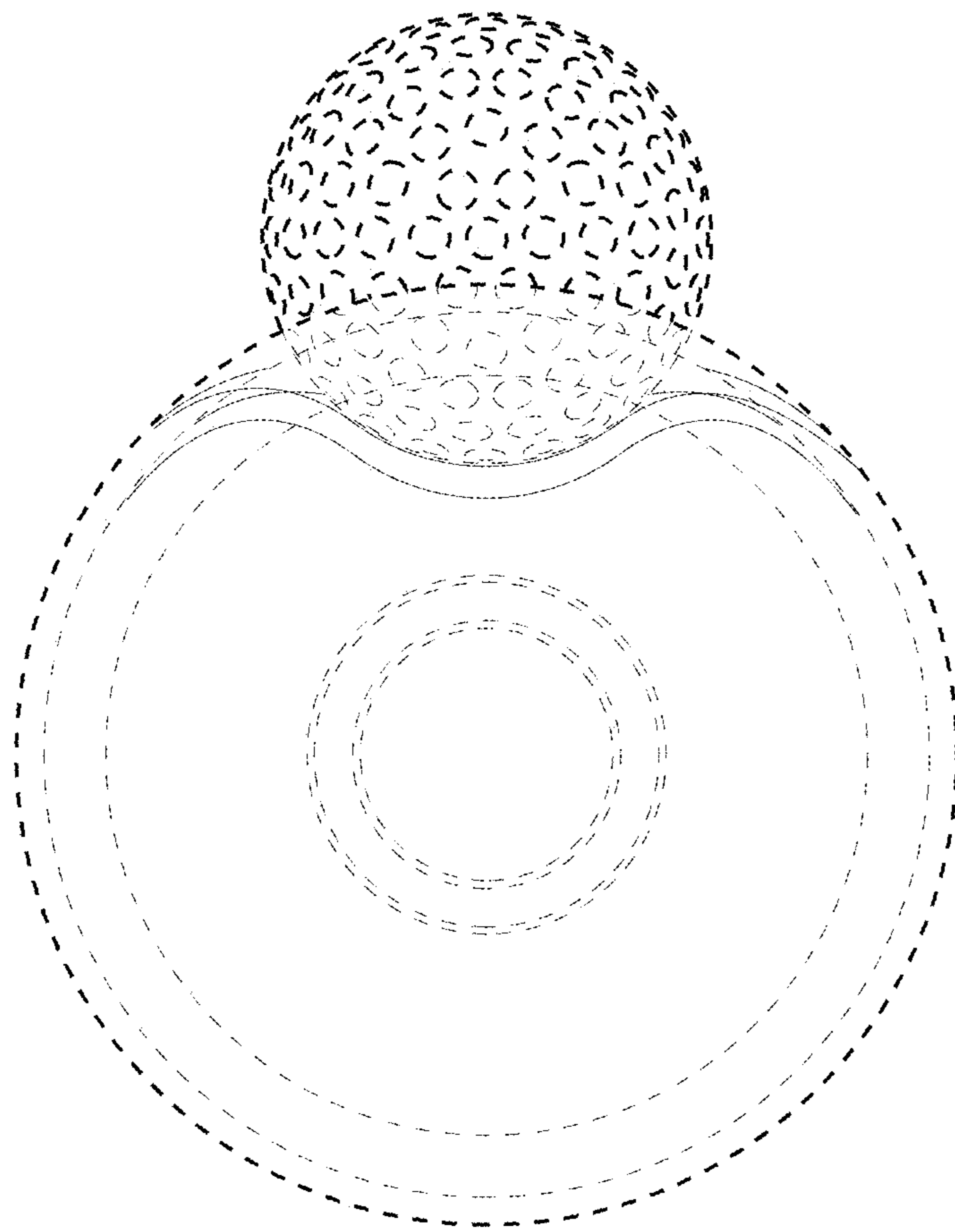


FIG. 8