



US00D980714S

(12) **United States Design Patent**
Wang

(10) **Patent No.:** **US D980,714 S**
(45) **Date of Patent:** **** Mar. 14, 2023**

- (54) **BOTTLE CAP**
- (71) Applicant: **Xianghai Wang**, Jiangxi (CN)
- (72) Inventor: **Xianghai Wang**, Jiangxi (CN)
- (**) Term: **15 Years**
- (21) Appl. No.: **29/690,402**
- (22) Filed: **May 7, 2019**
- (51) **LOC (14) Cl.** **09-07**
- (52) **U.S. Cl.**
USPC **D9/440**; D9/726
- (58) **Field of Classification Search**
USPC D9/434-436, 439-441, 443, 499, 505,
D9/516, 544-546, 723, 726; D7/387,
D7/391, 392, 392.1, 396.2, 507, 510, 511;
D3/202; D28/7; D24/119
CPC B05B 12/26; B65D 39/00; B65D 39/06;
B65D 39/08; B65D 39/12; B65D 39/16;
B65D 45/00; B65D 45/025; B65D 47/00;
B65D 47/249; A45D 33/12; A45D 40/26;
A45D 40/261
See application file for complete search history.

- (56) **References Cited**
U.S. PATENT DOCUMENTS
303,558 A * 8/1884 Campbell B65D 39/12
215/360
360,055 A * 3/1887 Schwab B65D 39/08
215/356
D34,996 S * 8/1901 Brawner D9/439
1,845,698 A * 2/1932 Birrell B01L 3/0282
422/934
D127,711 S * 6/1941 Foley D9/438
D317,118 S * 5/1991 Crawford D9/726
D333,780 S * 3/1993 Jones D9/726
D459,216 S * 6/2002 Heijdenrijk D9/726
D507,744 S * 7/2005 Hierzer D9/440
D577,584 S * 9/2008 Porter D9/447
D615,419 S * 5/2010 Owen D28/7

- D622,744 S * 8/2010 Inagawa D15/138
- D632,186 S * 2/2011 Fischer D9/726
- D842,126 S * 3/2019 Breidenbach D9/726
- D852,061 S * 6/2019 Lehannour D9/726
- D920,808 S * 6/2021 Bellard D9/726
- D922,209 S * 6/2021 Lehannour D9/726
- D947,683 S * 4/2022 Breidenbach D9/726
- D960,446 S * 8/2022 Yu D28/7
- 11,457,719 B2 * 10/2022 Streeter A45D 33/32
- 2004/0018039 A1 * 1/2004 Richard A61Q 1/12
401/209
- 2013/0064596 A1 * 3/2013 Le A45D 34/04
132/200

(Continued)

Primary Examiner — Wendy L Arminio
(74) Attorney, Agent, or Firm — ScienBiziP, P.C.

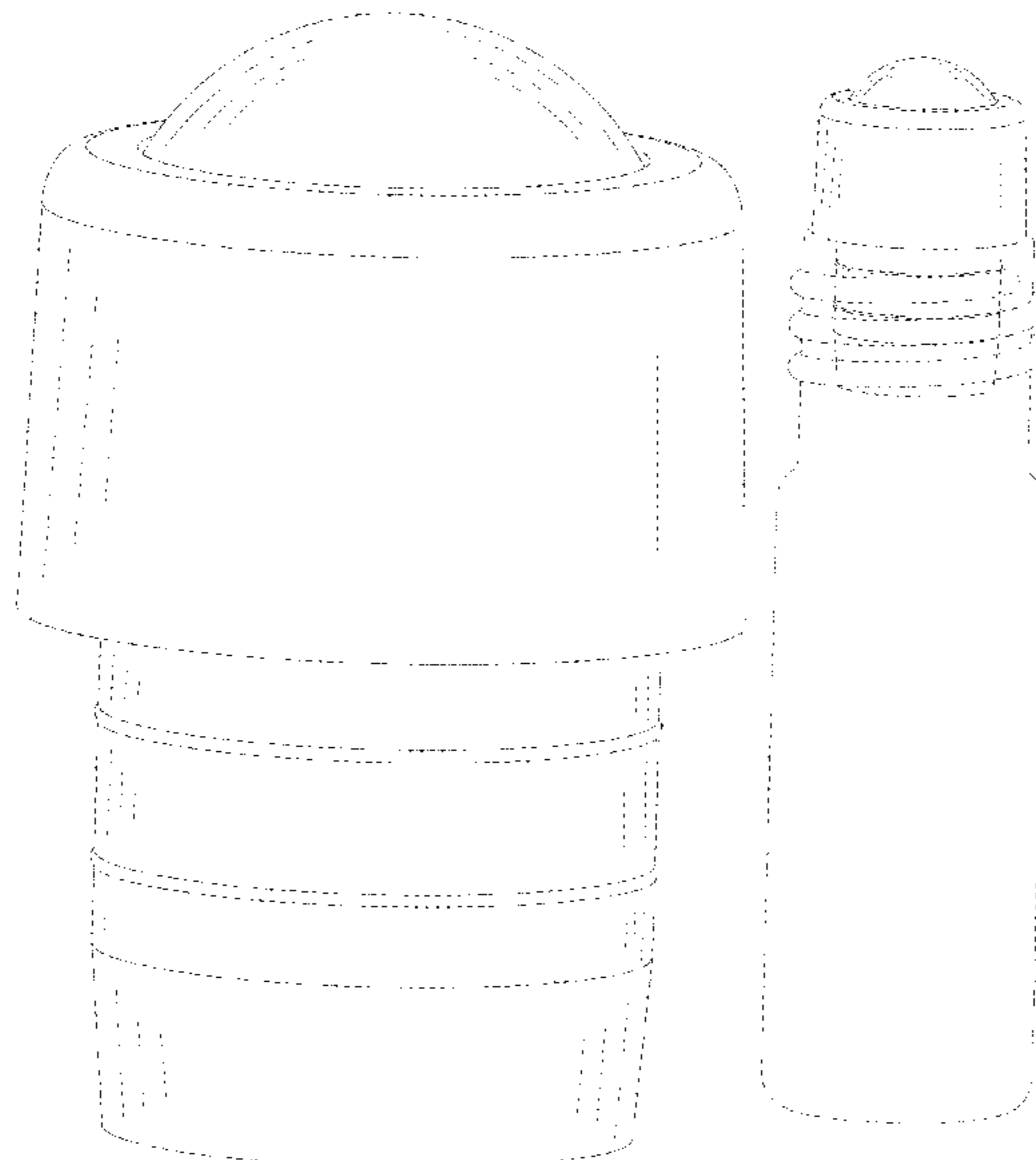
(57) **CLAIM**

The ornamental design for a bottle cap, as shown and described.

DESCRIPTION

FIG. 1 is a perspective view of a bottle cap showing my new design;
 FIG. 2 is a front elevation view thereof;
 FIG. 3 is a rear elevation view thereof;
 FIG. 4 is a left side elevation view thereof;
 FIG. 5 is a right side elevation view thereof;
 FIG. 6 is a top plan view thereof;
 FIG. 7 is a bottom plan view thereof;
 FIG. 8 is a cross-sectional view taken in the direction of line 8-8 of FIG. 3; and,
 FIG. 9 is another perspective view of the bottle cap of FIG. 1 shown in a position of use on a bottle drawn in broken lines.
 The broken lines illustrating a bottle in FIG. 9 depict environment and form no part of the claimed design. All other broken lines depict portions of the bottle cap that form no part of the claimed design.

1 Claim, 9 Drawing Sheets



(56)

References Cited

U.S. PATENT DOCUMENTS

2013/0251440 A1* 9/2013 Young A45D 34/041
132/200
2021/0054562 A1* 2/2021 Roper D06P 1/5257
2022/0240644 A1* 8/2022 Upasani A45D 34/041

* cited by examiner

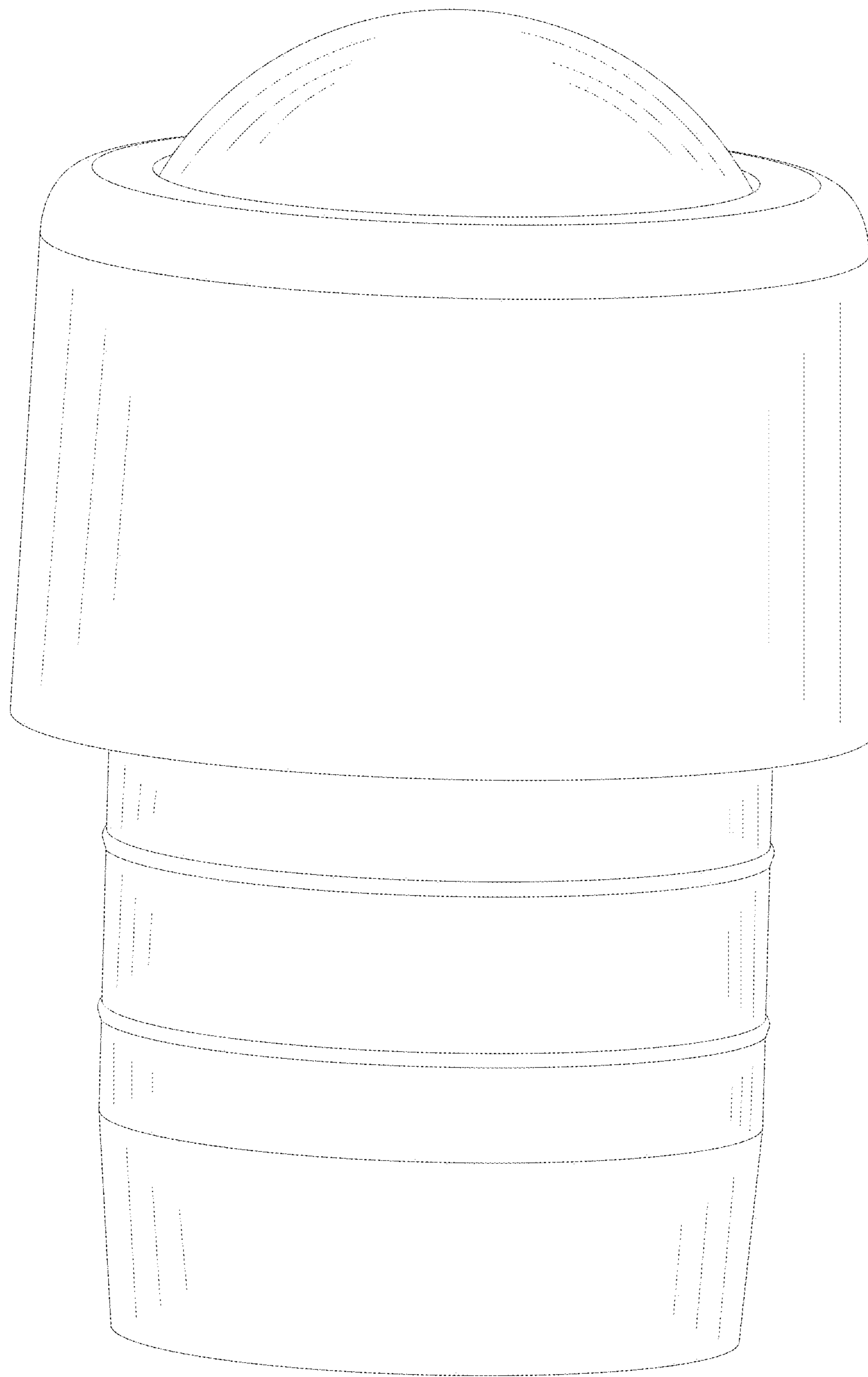


FIG.1

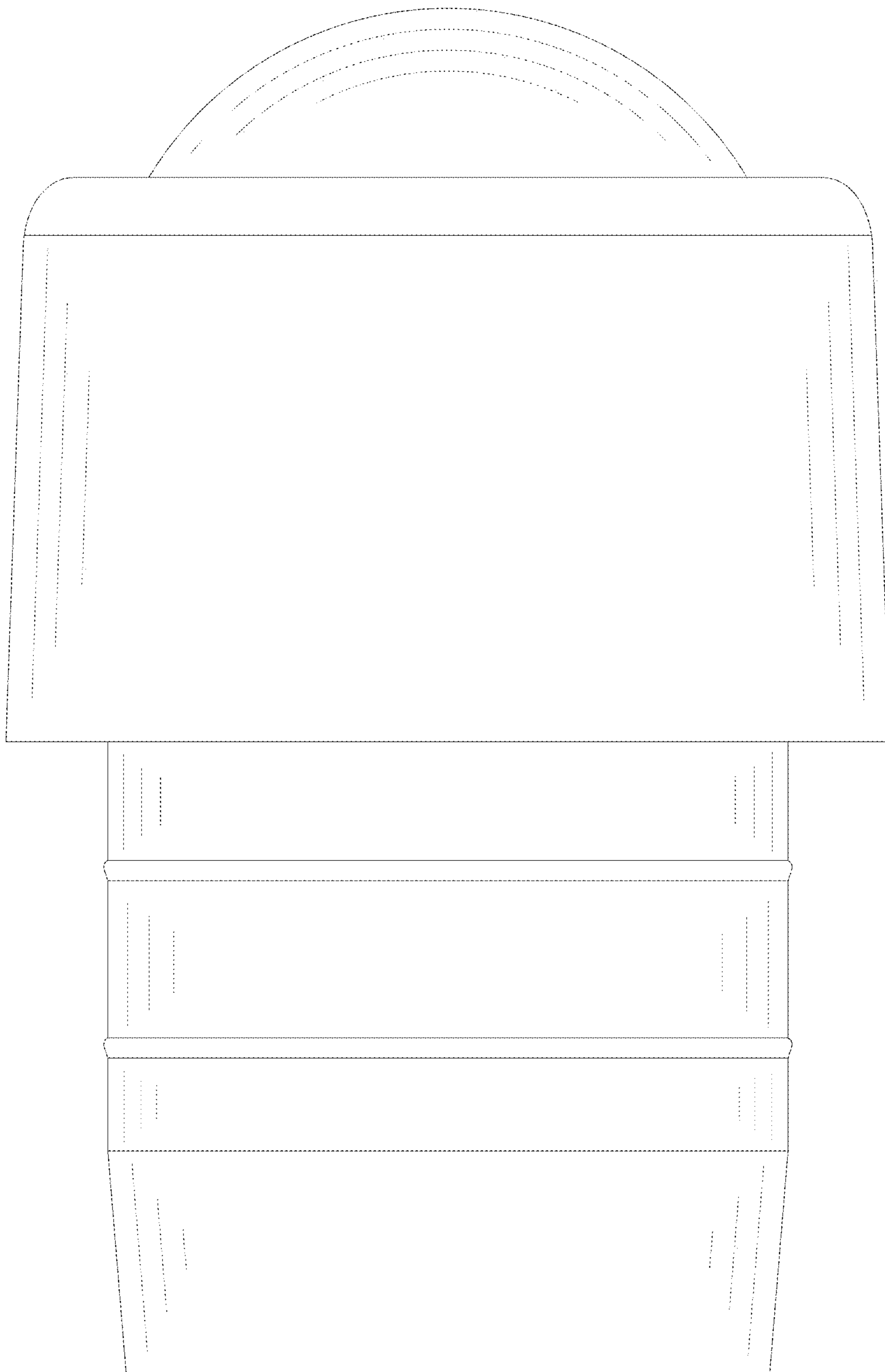


FIG. 2

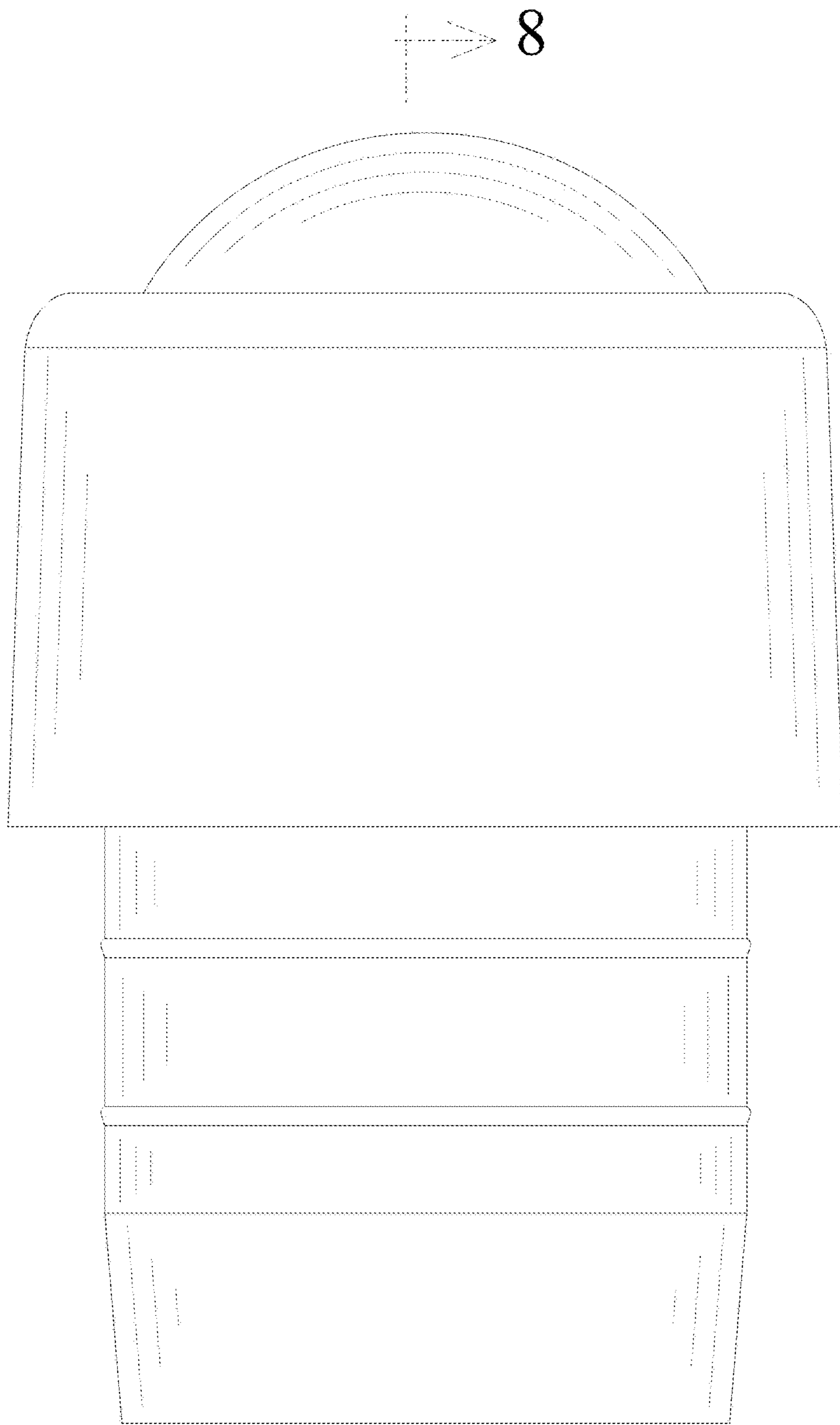


FIG.3

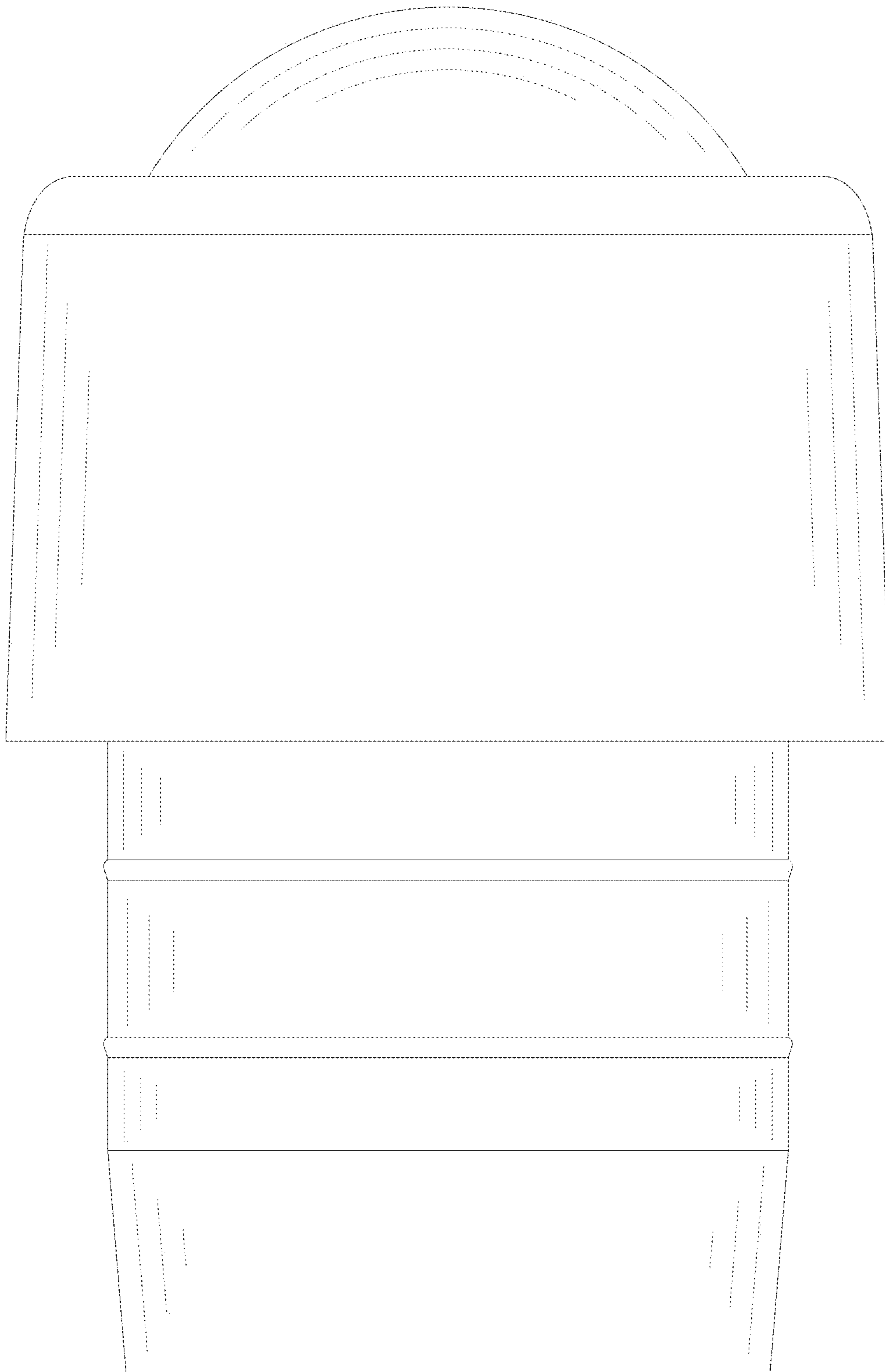


FIG. 4

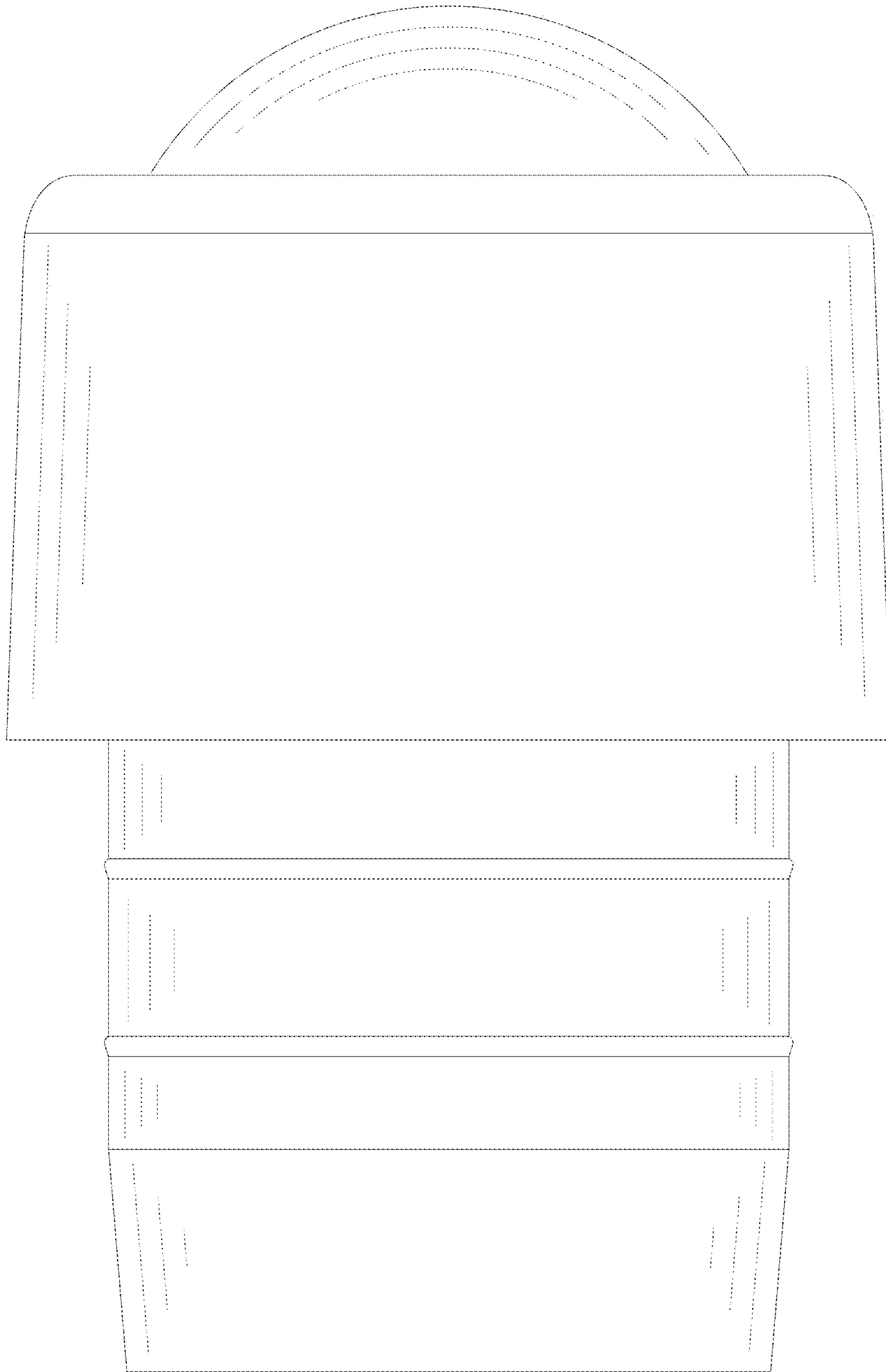


FIG. 5

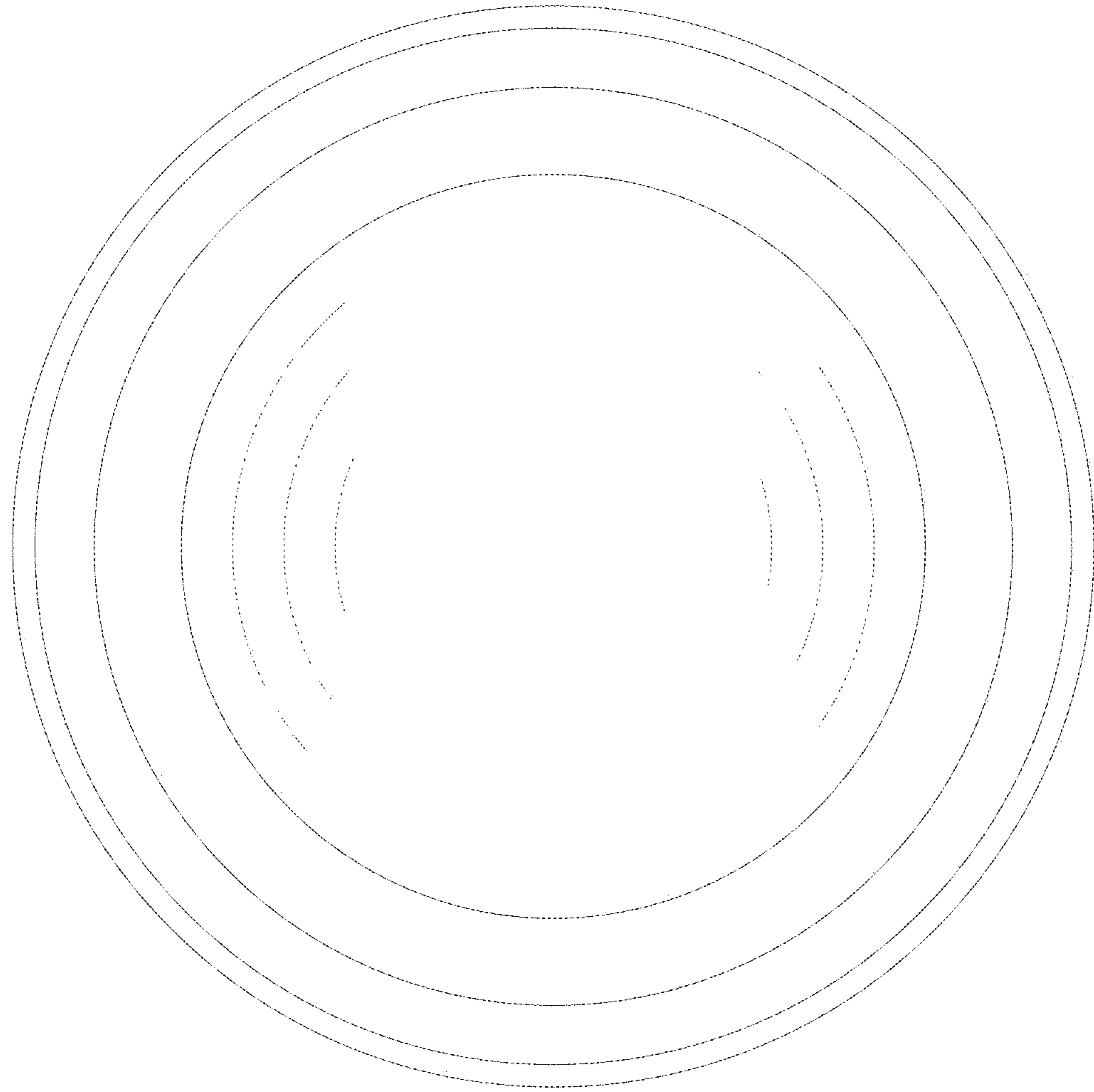


FIG.6

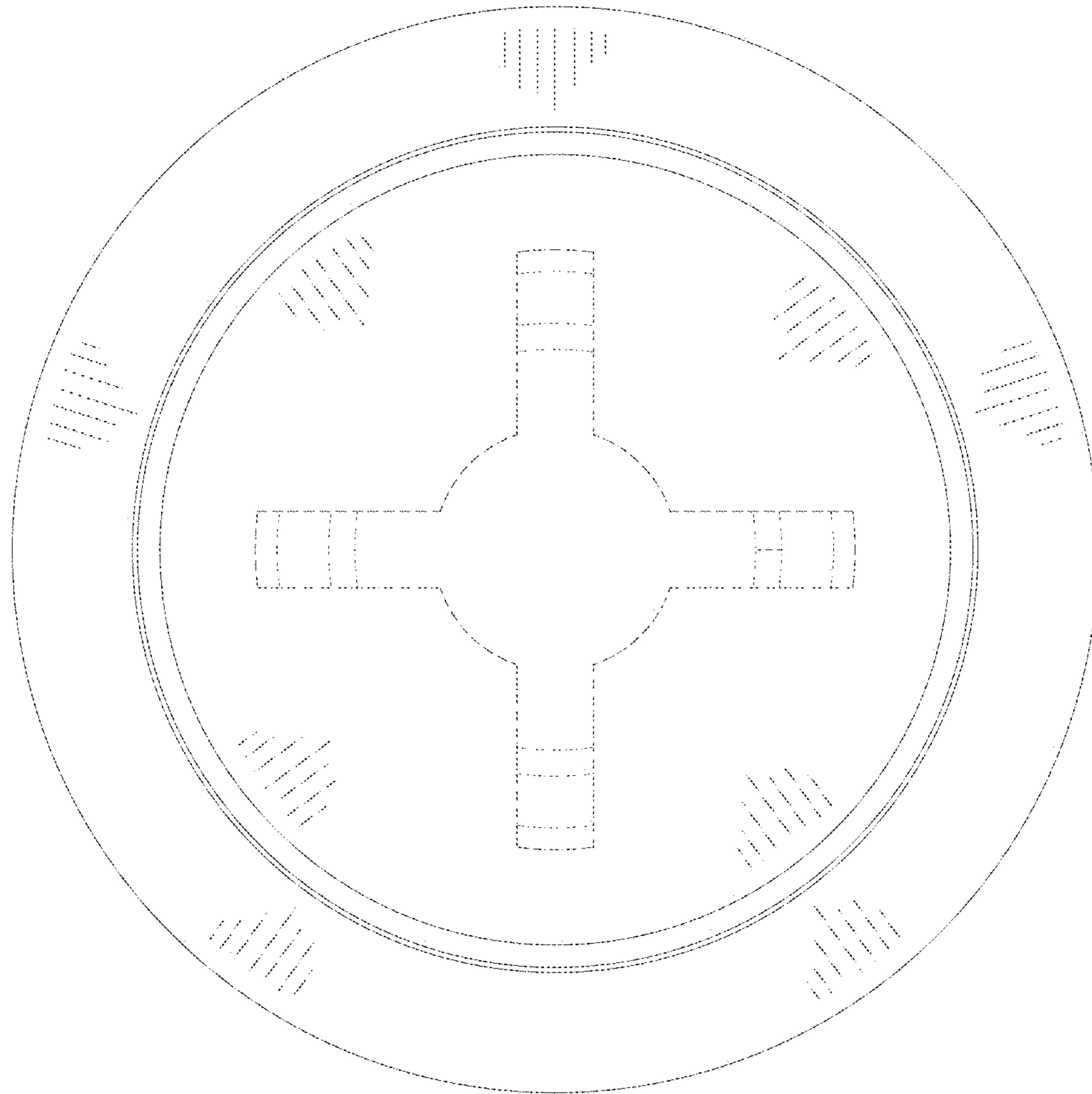


FIG. 7

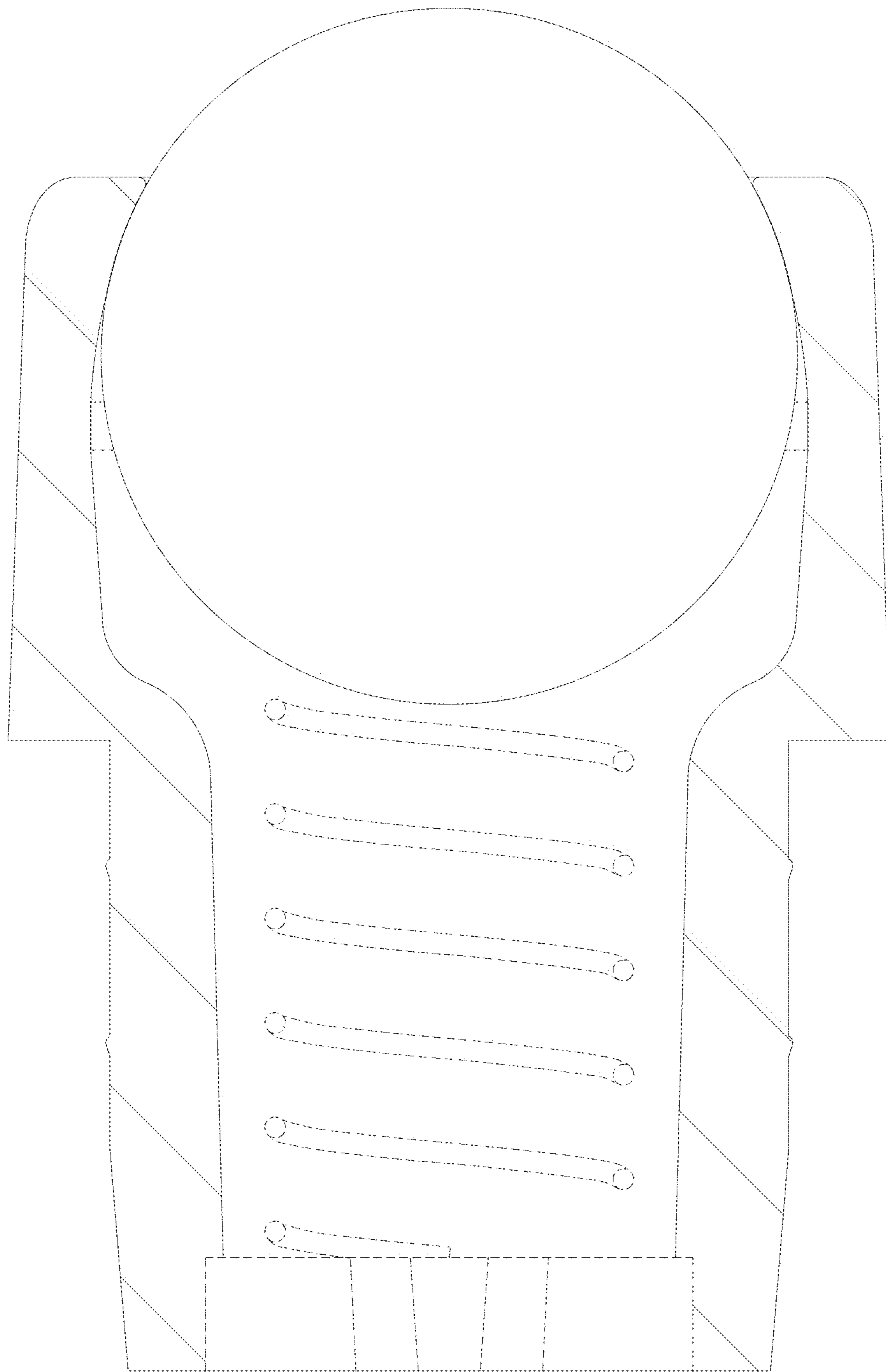


FIG. 8

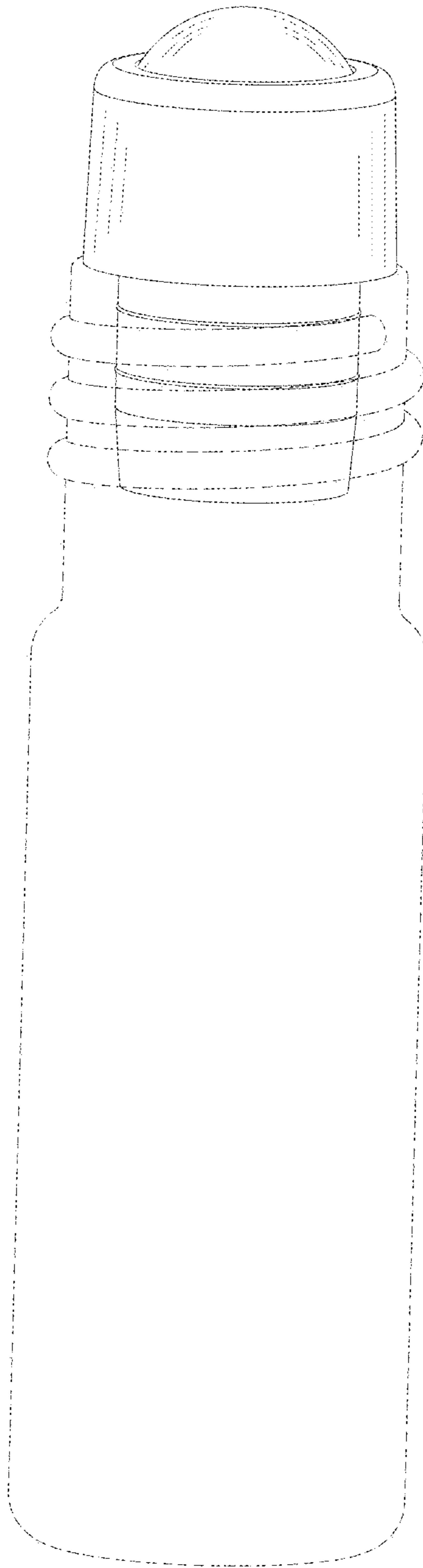


FIG. 9