



US00D980713S

(12) **United States Design Patent**  
**Lu**

(10) **Patent No.:** **US D980,713 S**  
(45) **Date of Patent:** **\*\* Mar. 14, 2023**

(54) **FLIP LOCKING LID FOR AIRTIGHT CANISTER**

(71) Applicant: **NINGBO HALSON IMPORT AND EXPORT CO., LTD.**, Ningbo (CN)

(72) Inventor: **Jiehua Lu**, Ningbo (CN)

(73) Assignee: **NINGBO HALSON IMPORT AND EXPORT CO., LTD.**, Ningbo (CN)

(\*\*) Term: **15 Years**

(21) Appl. No.: **29/812,752**

(22) Filed: **Oct. 25, 2021**

(51) **LOC (14) Cl.** ..... **07-06**

(52) **U.S. Cl.**  
USPC ..... **D9/439**

(58) **Field of Classification Search**

USPC ..... D7/387, 391, 392.1, 396.1, 396.2, 396.6, D7/388, 402, 403; D9/434, 435, 436, D9/438, 439, 440, 442, 443, 445, 446, D9/452, 453, 454, 455, 456; D3/201, D3/273, 318, 319, 323; D23/209, 258, D23/259, 260, 261; D24/127, 162, 193, D24/194, 197, 199, 224, 227; D34/10, D34/11, 28, 35, 38, 39; D15/28, 138, D15/141, 145, 199  
CPC ..... B25B 13/5008; B25B 15/008; B65D 1/02; B65D 1/0233; B65D 1/08; B65D 1/10; B65D 41/14; B65D 41/16; B65D 41/3428; B65D 55/16; B65D 43/169; B65D 43/26; B65D 43/08; B65D 2543/00972; B65D 2525/285; B65D 2525/286; B65D 2525/287; B65D 2525/288; B65D 53/02; A47G 19/24; B67D 3/00

See application file for complete search history.

(56) **References Cited**

**U.S. PATENT DOCUMENTS**

D239,818 S \* 5/1976 Vatne ..... D9/438  
D267,703 S \* 1/1983 Chase ..... D9/443  
D425,363 S \* 5/2000 Loew ..... D7/392.1

(Continued)

**OTHER PUBLICATIONS**

Araven Clear Airtight Food Pan: Site Visited (Sep. 22, 2022). Available from Internet URL: [https://www.webstaurantstore.com/araven-09852-1-6-size-clear-polypropylene-food-pan-airtight-lid/15909852.html?utm\\_source=google&utm\\_medium=cpc&utm\\_campaign=GoogleShopping&gclid=Cj0KCCQjw7KqZBhCBARIsAl-fTKIuD-jg3T2mQc1WWvYzmbZ7IBu\\_tE421GeQ2GN1FqRuoWTNdurxkYYaAqtbEALw\\_wcB.\\*](https://www.webstaurantstore.com/araven-09852-1-6-size-clear-polypropylene-food-pan-airtight-lid/15909852.html?utm_source=google&utm_medium=cpc&utm_campaign=GoogleShopping&gclid=Cj0KCCQjw7KqZBhCBARIsAl-fTKIuD-jg3T2mQc1WWvYzmbZ7IBu_tE421GeQ2GN1FqRuoWTNdurxkYYaAqtbEALw_wcB.*)

(Continued)

*Primary Examiner* — Catherine S Posthauer

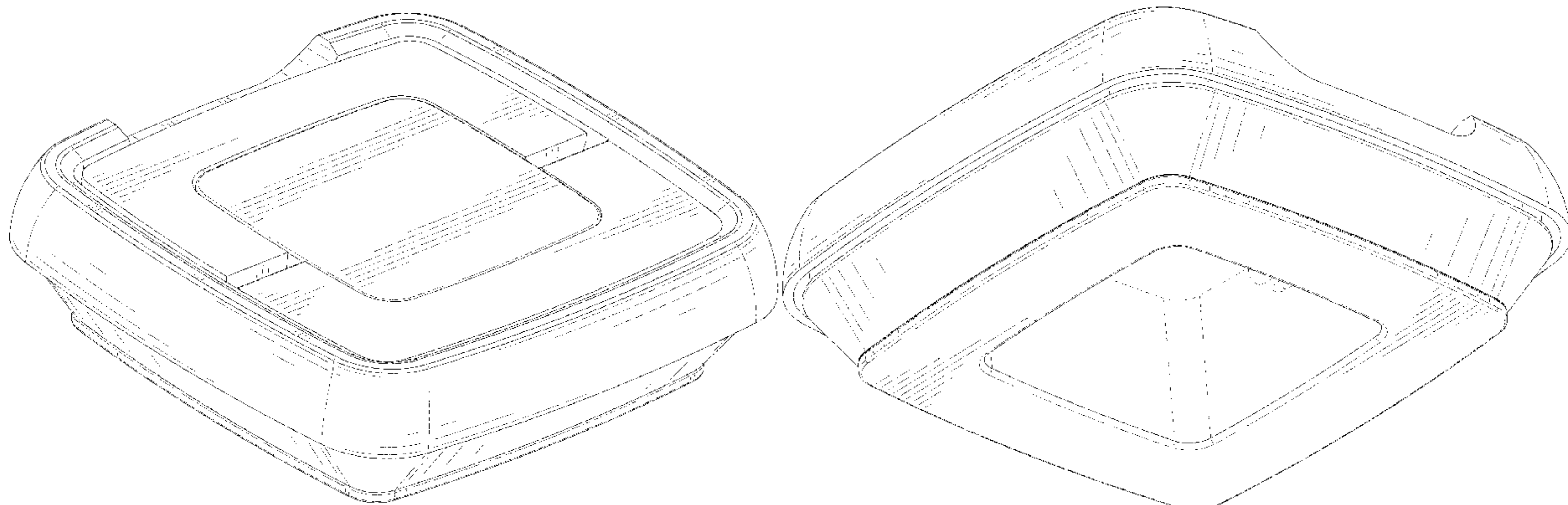
(57) **CLAIM**

The ornamental design for a flip locking lid for airtight canister, as shown and described.

**DESCRIPTION**

FIG. 1 is a perspective view of a flip locking lid for airtight canister showing my new design;  
FIG. 2 is another perspective view thereof;  
FIG. 3 is a front elevational view thereof;  
FIG. 4 is a rear elevational view thereof;  
FIG. 5 is a left side elevational view thereof;  
FIG. 6 is a right side elevational view thereof;  
FIG. 7 is a top plan view thereof;  
FIG. 8 is a bottom plan view thereof;  
FIG. 9 is another perspective view of the flip locking lid for airtight canister, shown in a position of use with an exemplary canister;  
FIG. 10 is another perspective view thereof, shown in a position of use with another exemplary canister.  
FIG. 11 is another perspective view thereof, shown in a position of use with another exemplary canister; and,  
FIG. 12 is another perspective view thereof, shown in a position of use with another exemplary canister.  
The broken lines are shown for the purpose of illustrating both parts of the article as well as environmental subject matter of exemplary canisters. None of the broken lines form part of the claimed design.

**1 Claim, 12 Drawing Sheets**



(56)

References Cited

U.S. PATENT DOCUMENTS

D446,117 S \* 8/2001 Conti ..... D7/392.1  
 D448,969 S \* 10/2001 Conti ..... D7/392.1  
 D464,847 S \* 10/2002 Klock ..... D7/391  
 D466,364 S \* 12/2002 Demore ..... D7/391  
 D517,861 S \* 3/2006 Kim ..... D7/392.1  
 D536,571 S \* 2/2007 Kim ..... D7/391  
 D537,293 S \* 2/2007 Ho ..... D7/392.1  
 D585,239 S \* 1/2009 Thurlow ..... D7/391  
 D642,054 S \* 7/2011 Samartgis ..... D9/435  
 D642,457 S \* 8/2011 Samartgis ..... D9/435  
 D680,866 S \* 4/2013 Golota ..... D9/435  
 D698,199 S \* 1/2014 Yessin ..... D7/392.1  
 D700,011 S \* 2/2014 Duvigneau ..... D7/391  
 D704,503 S \* 5/2014 Manley ..... D7/391  
 D750,423 S \* 3/2016 Shirley ..... D7/391  
 D751,215 S \* 3/2016 Perry ..... D24/232  
 D765,508 S 9/2016 Wu  
 D766,651 S \* 9/2016 Decker ..... D7/391  
 D771,431 S \* 11/2016 Affatato ..... D7/354  
 D771,432 S \* 11/2016 Affatato ..... D7/354  
 D776,974 S \* 1/2017 Kalmanides ..... D7/391  
 D779,266 S \* 2/2017 Decker ..... D7/391  
 D779,267 S \* 2/2017 Decker ..... D7/391  
 D782,696 S \* 3/2017 Perry ..... D24/232  
 D786,674 S \* 5/2017 Miller ..... D9/446  
 D798,104 S \* 9/2017 Stumph ..... D7/378  
 D800,494 S \* 10/2017 Peng ..... D7/391

D828,754 S \* 9/2018 Liu ..... D9/439  
 D829,213 S \* 9/2018 Szeremeta ..... D3/273  
 D839,664 S \* 2/2019 Pentelovitch ..... D7/391  
 D859,066 S \* 9/2019 Upston ..... D7/412  
 D869,228 S \* 12/2019 Zhang ..... D7/392.1  
 D870,507 S \* 12/2019 Whaley ..... D7/391  
 D875,465 S \* 2/2020 Dai ..... D7/391  
 D878,202 S \* 3/2020 Benishai ..... D9/439  
 D896,569 S \* 9/2020 Jacobs ..... D7/391  
 D902,645 S \* 11/2020 Zhang ..... D7/391  
 D904,106 S \* 12/2020 Samartgis ..... D7/391  
 D937,678 S \* 12/2021 Riedel ..... D9/449  
 11,267,620 B1 \* 3/2022 Lu ..... B65D 45/327  
 D953,101 S \* 5/2022 de Sicart ..... D7/354  
 D957,182 S \* 7/2022 Tuan ..... D7/391  
 2007/0241107 A1 \* 10/2007 Matsumoto ..... B65D 45/327  
 220/238

OTHER PUBLICATIONS

OXO Pop Airtight Food Storage Container: Announced (Sep. 22, 2016 (online). Site Visited (Sep. 22, 2022). Available from Internet URL: <https://www.target.com/p/oxo-pop-2-6qt-airtight-food-storage-container/-/A-15420440>.\*  
 1.2 Liter Airtight Stackable Container: Site Visited (Sep. 22, 2022). Available from Internet URL: <https://www.homedepot.com/p/Kitchen-Details-1-2-Liter-Airtight-Stackable-Container-25922/314010913>.\*

\* cited by examiner



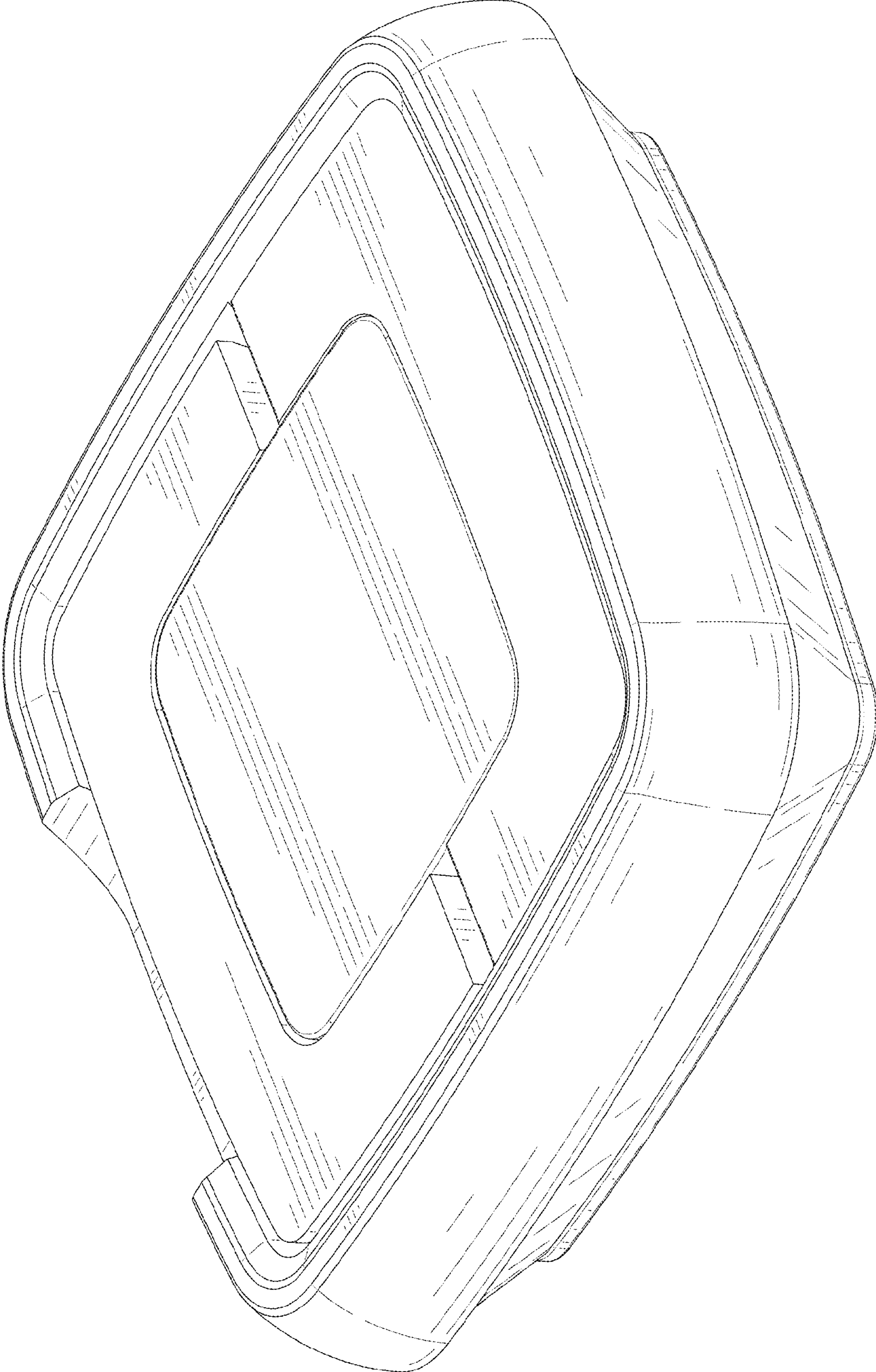


FIG. 1

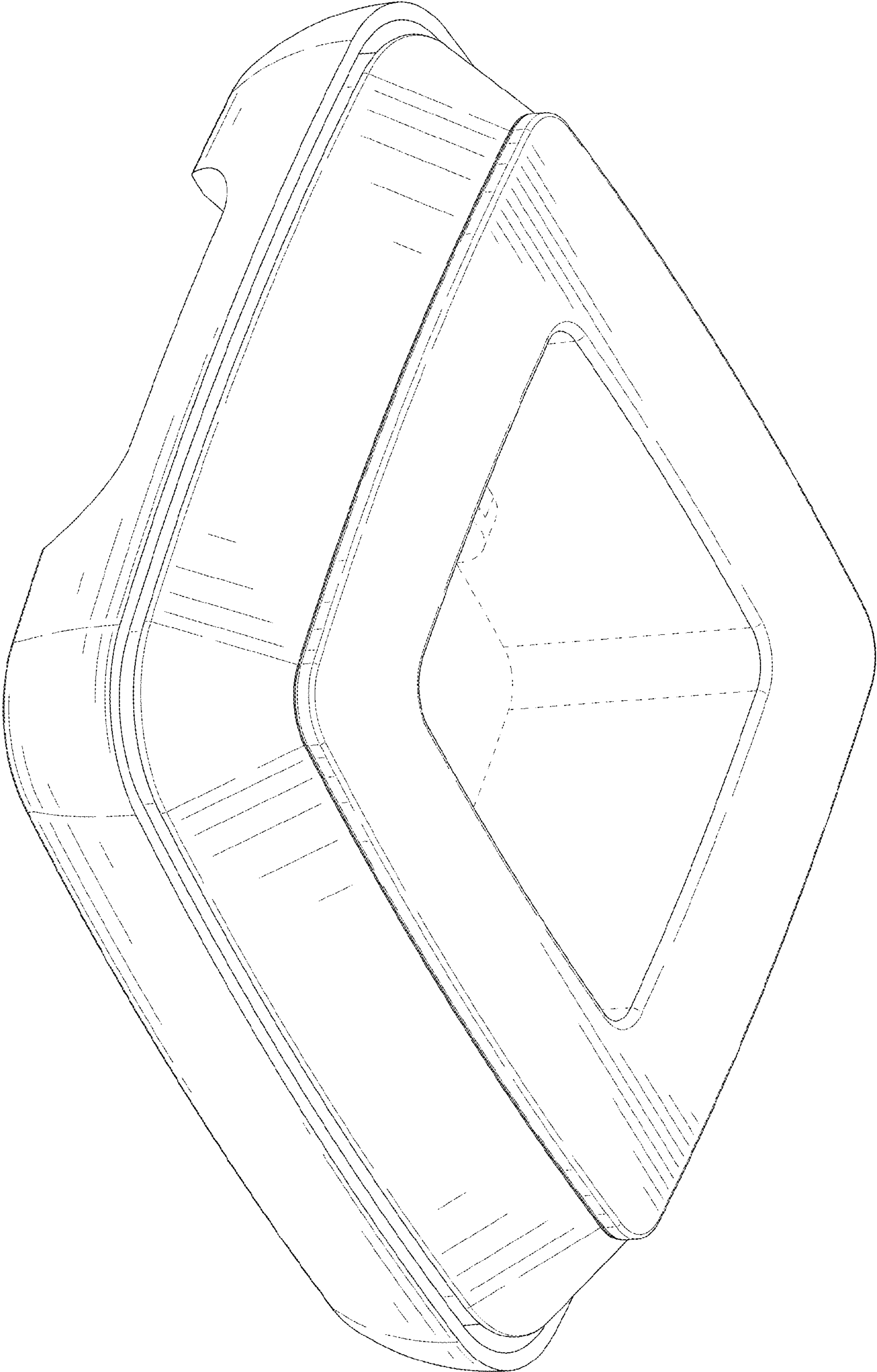


FIG. 2

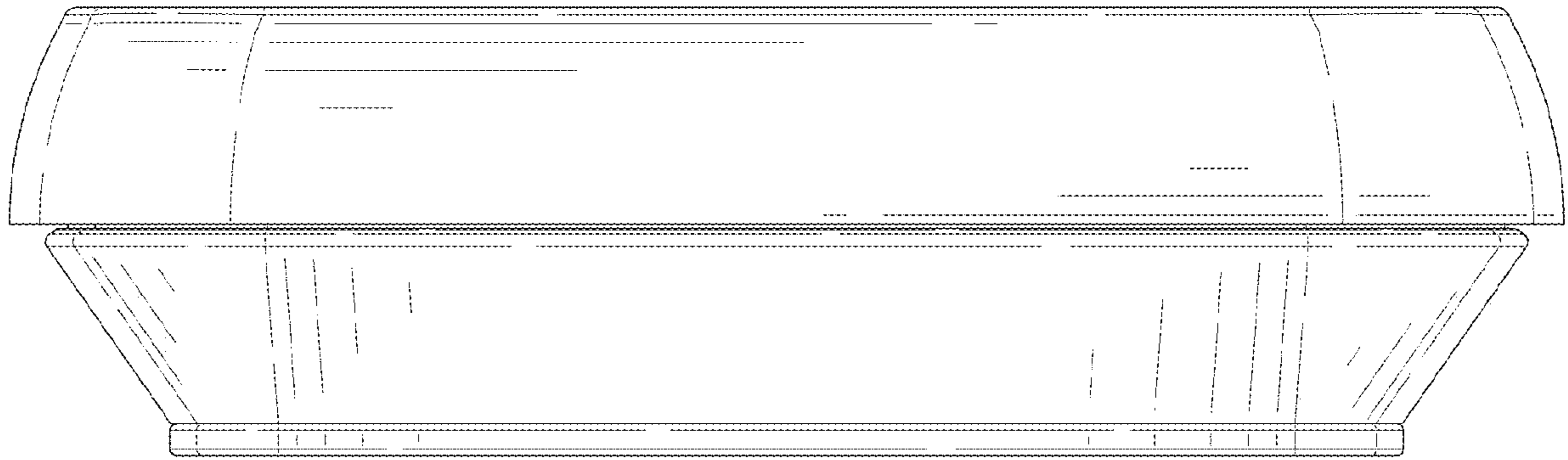


FIG. 3

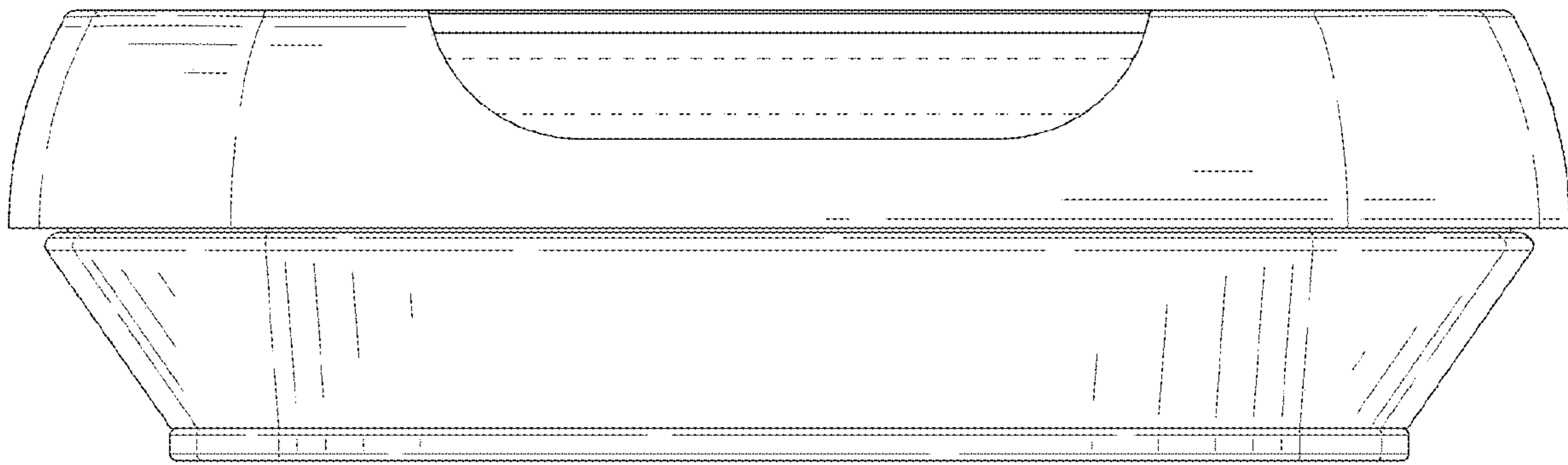


FIG. 4

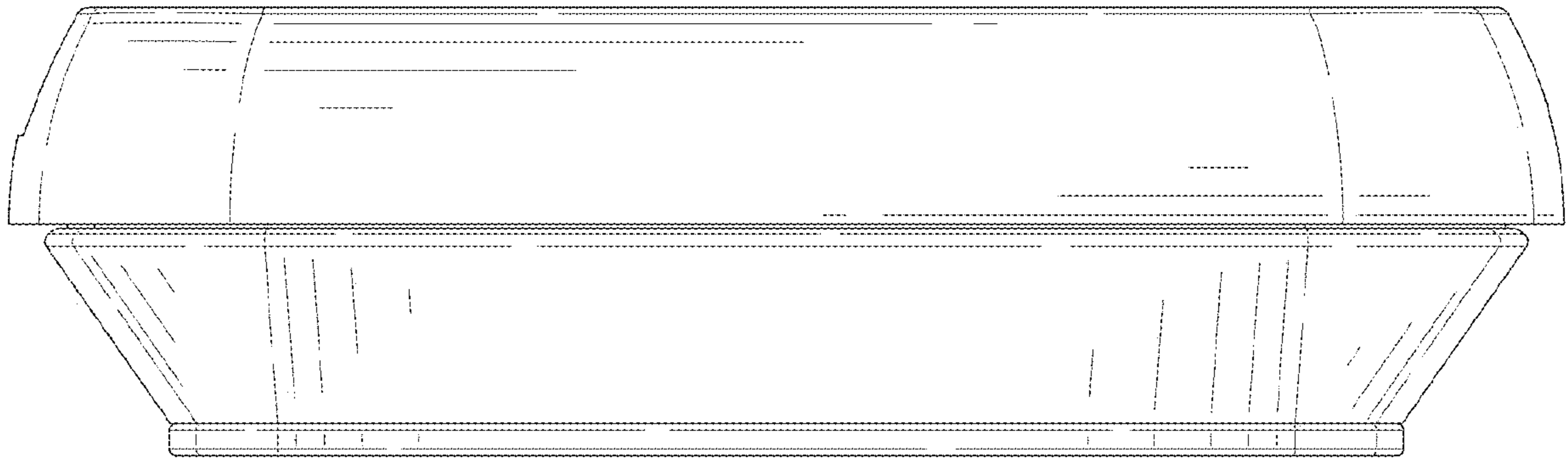


FIG. 5

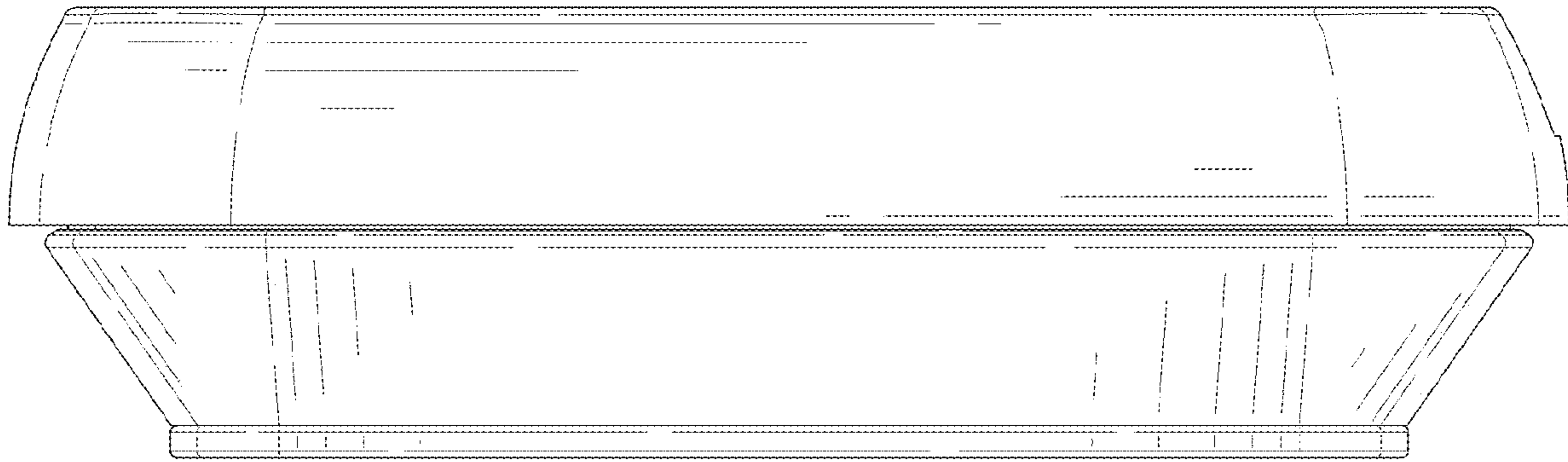


FIG. 6



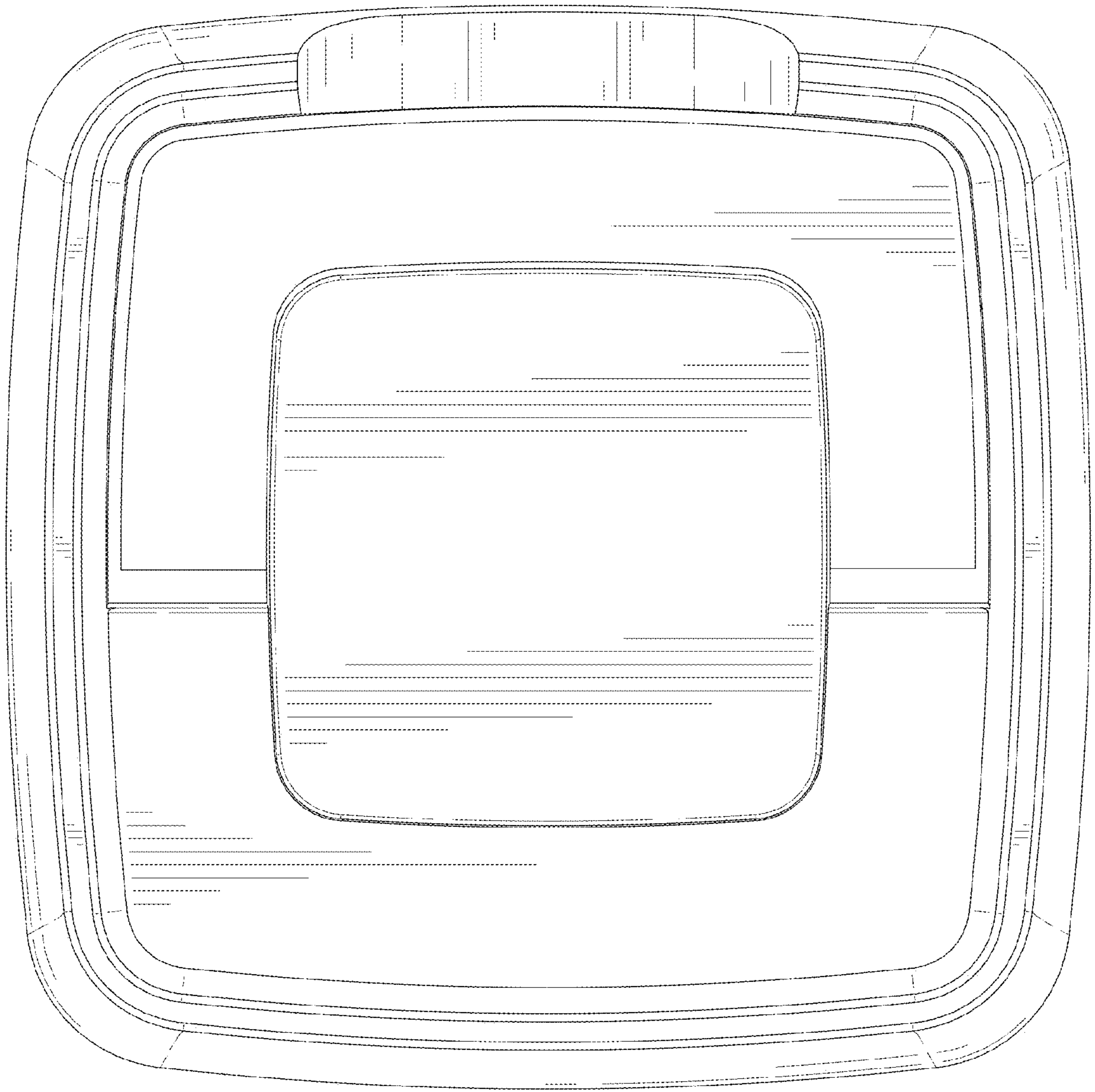


FIG. 7

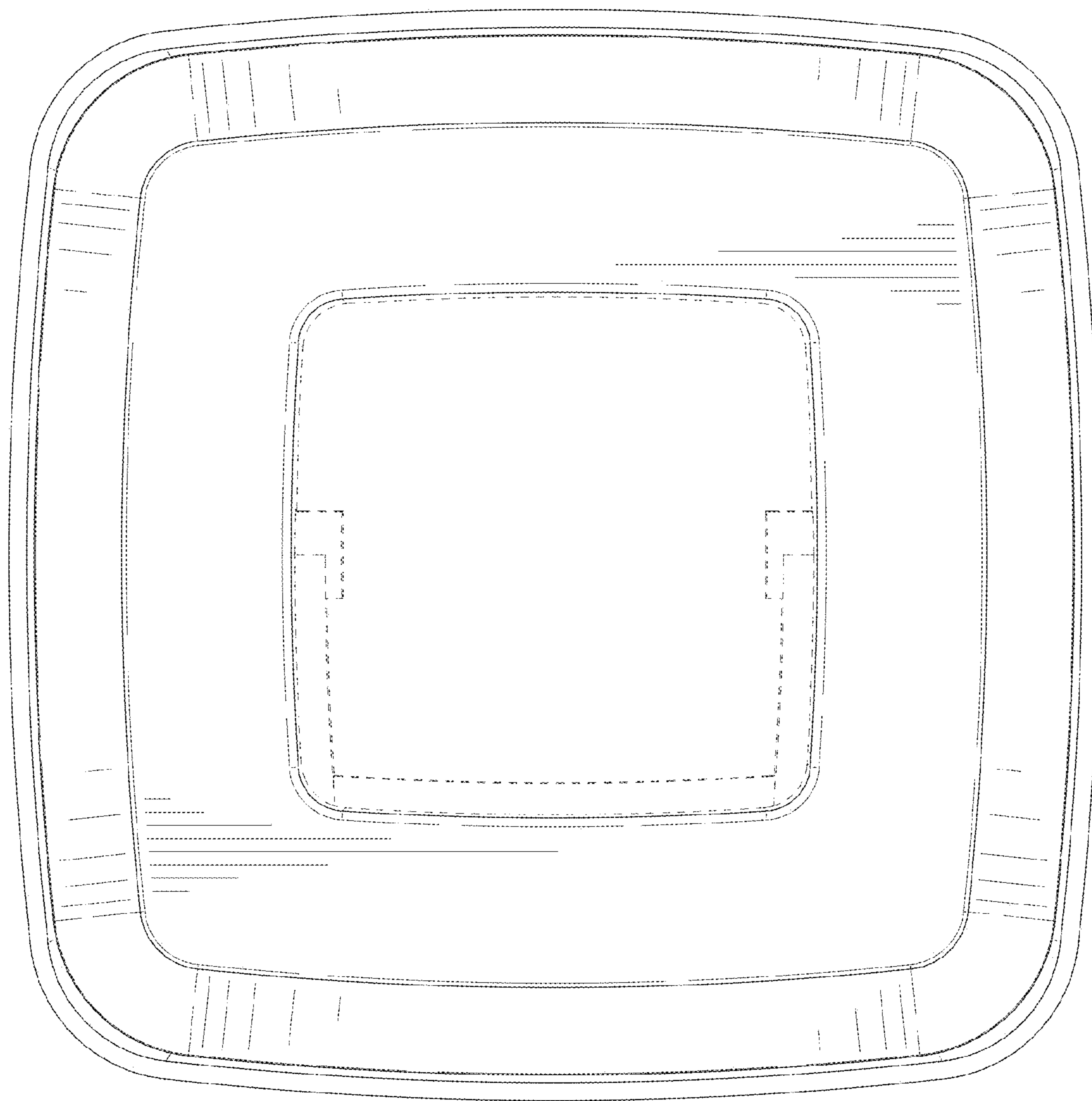


FIG. 8

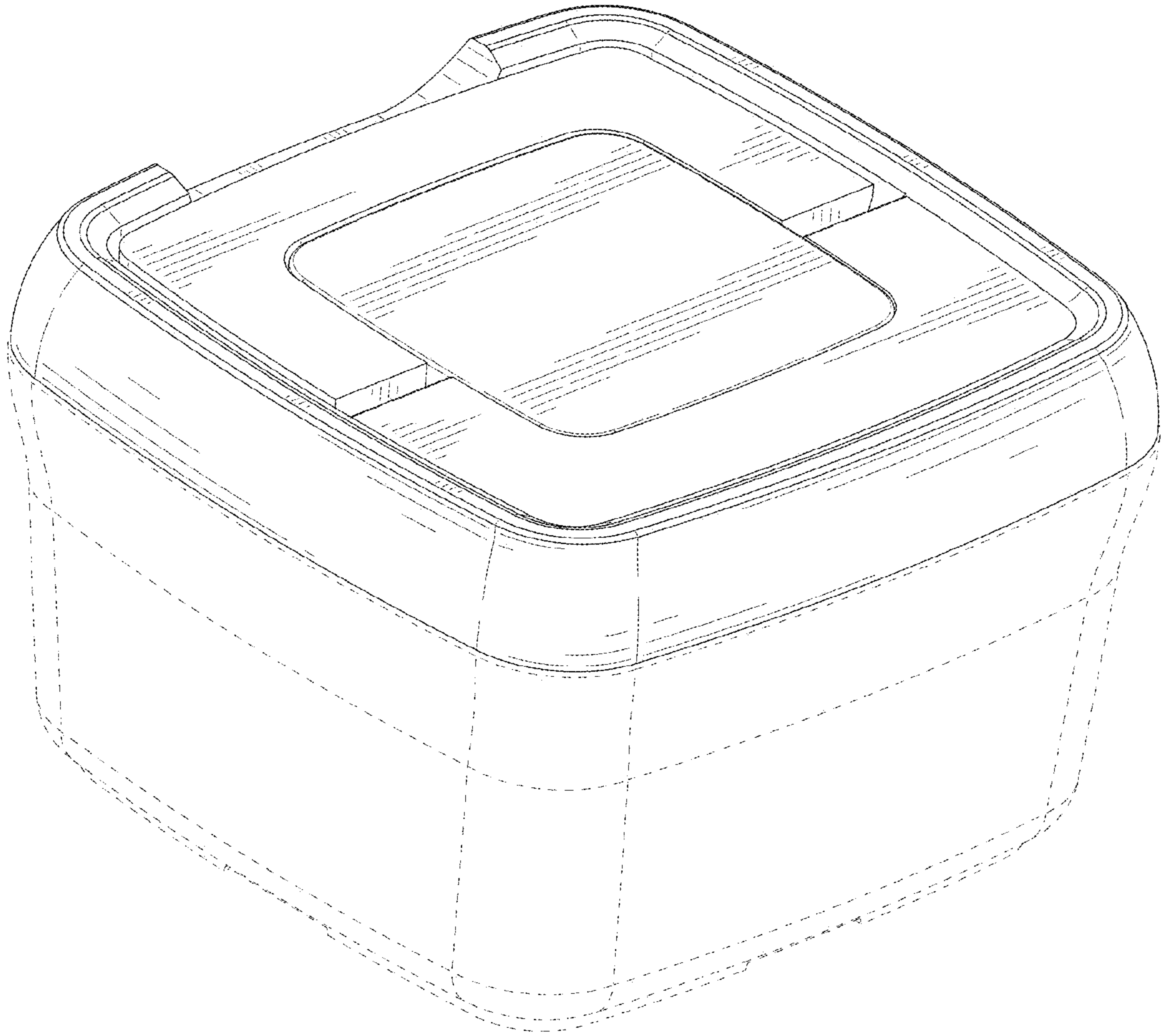


FIG. 9

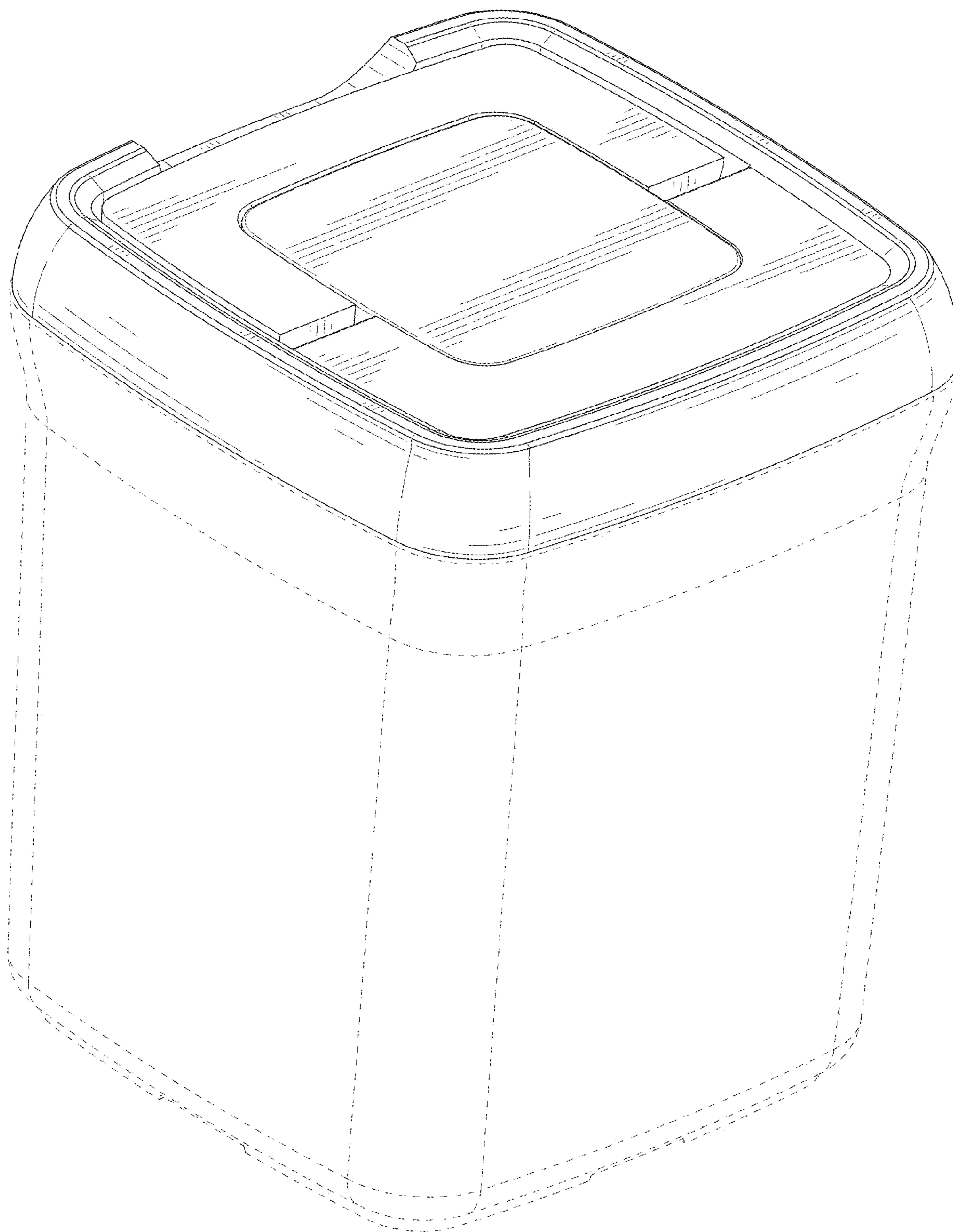


FIG. 10



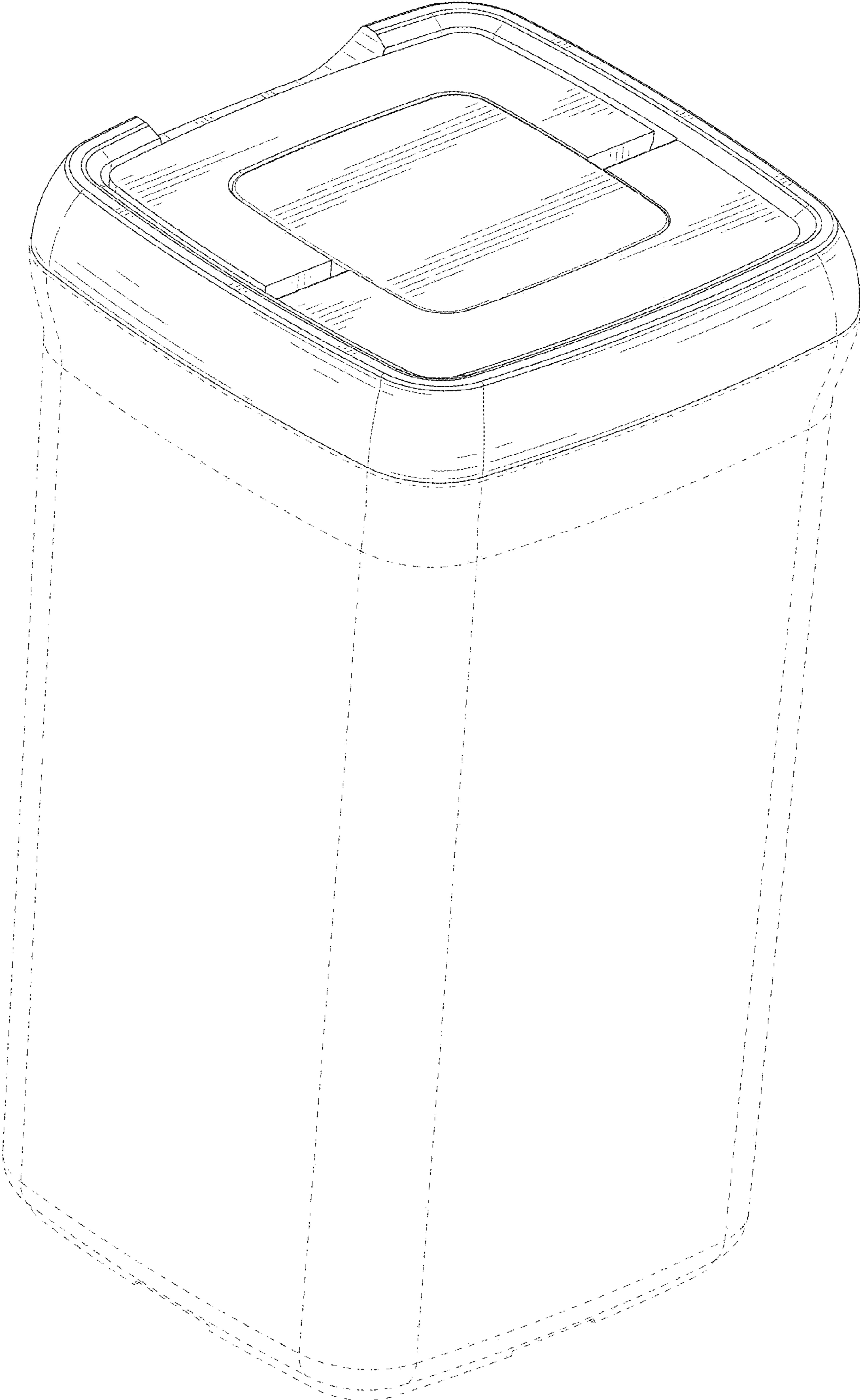


FIG. 11

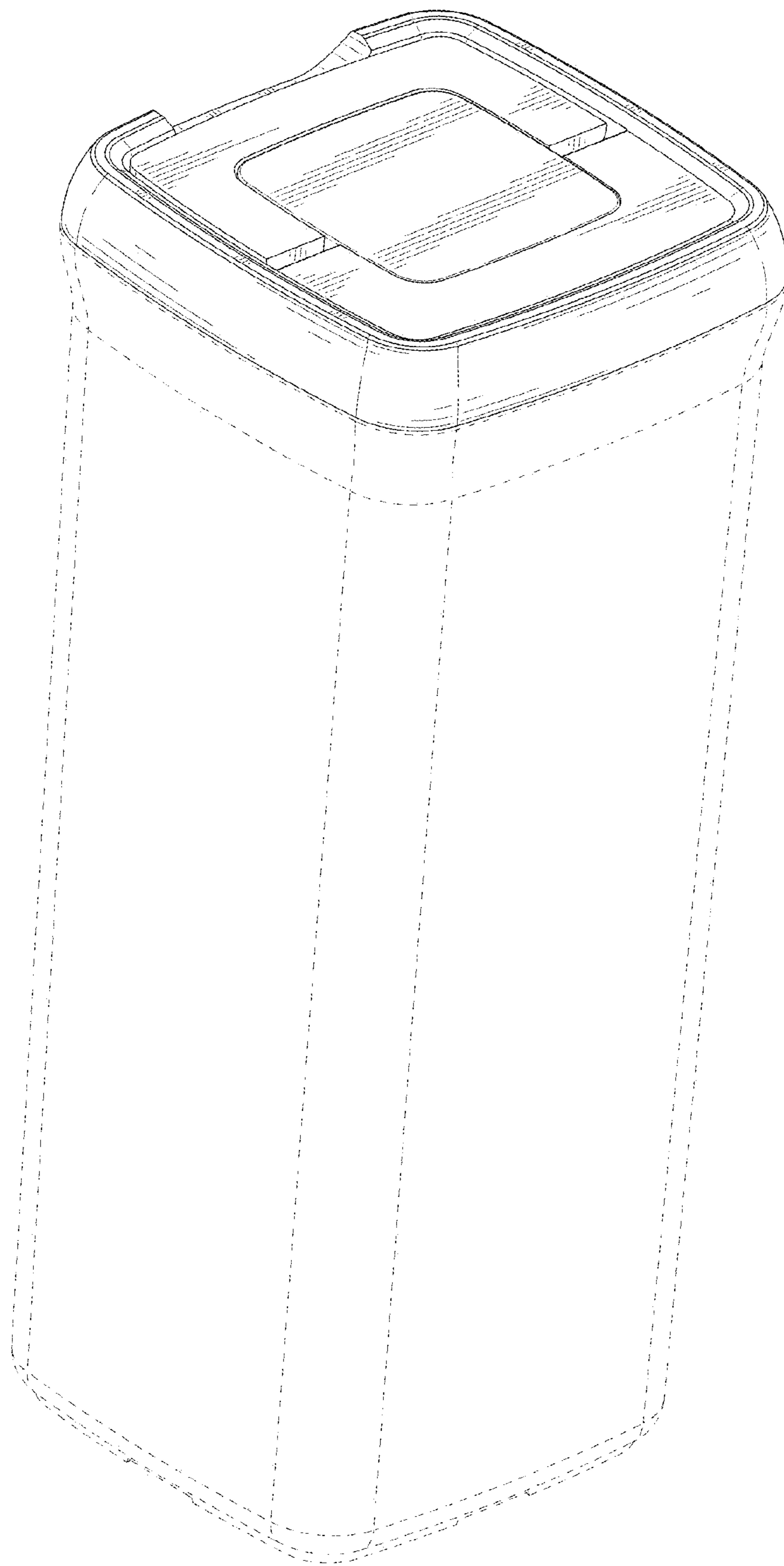


FIG. 12