



US00D980710S

(12) **United States Design Patent**
Davis

(10) **Patent No.:** **US D980,710 S**
(45) **Date of Patent:** **** Mar. 14, 2023**

(54) **WAX RING TRAY**

- (71) Applicant: **OATEY CO.**, Cleveland, OH (US)
- (72) Inventor: **Alexander Lee Davis**, Mentor, OH (US)
- (73) Assignee: **OATEY CO.**, Cleveland, OH (US)
- (**) Term: **15 Years**
- (21) Appl. No.: **29/736,882**
- (22) Filed: **Jun. 3, 2020**
- (51) **LOC (14) Cl.** **09-01**
- (52) **U.S. Cl.**
USPC **D9/415; D9/414**
- (58) **Field of Classification Search**
USPC D9/414, 516, 454, 456, 544, 690, 430,
D9/434, 415, 424, 425, 428; D14/489;
D23/269

(Continued)

(56) **References Cited**

U.S. PATENT DOCUMENTS

- D232,159 S * 7/1974 Benjamin D9/428
- D234,026 S * 12/1974 Winter B65D 75/366
D9/415

(Continued)

OTHER PUBLICATIONS

Hoosier Sasquatch, Apr. 18, 2017, Youtube Post/Weed Warrior Pulverizer Titanium trimmer line review, URL: <https://www.youtube.com/watch?v=tn5zxzg0RwA> (Year: 2017).*

(Continued)

Primary Examiner — Brett Miller
Assistant Examiner — Rani J Abdallah
(74) *Attorney, Agent, or Firm* — BakerHostetler

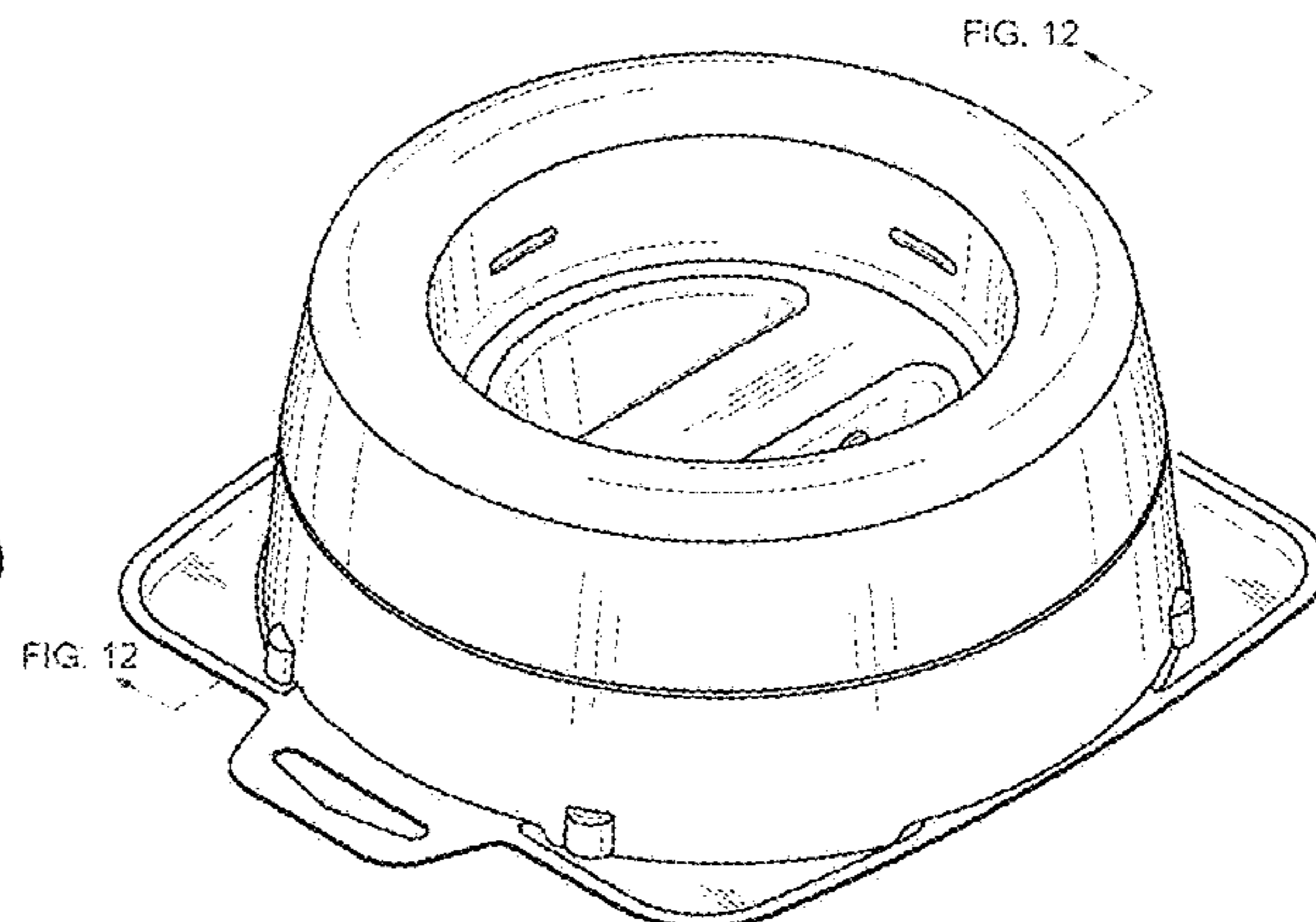
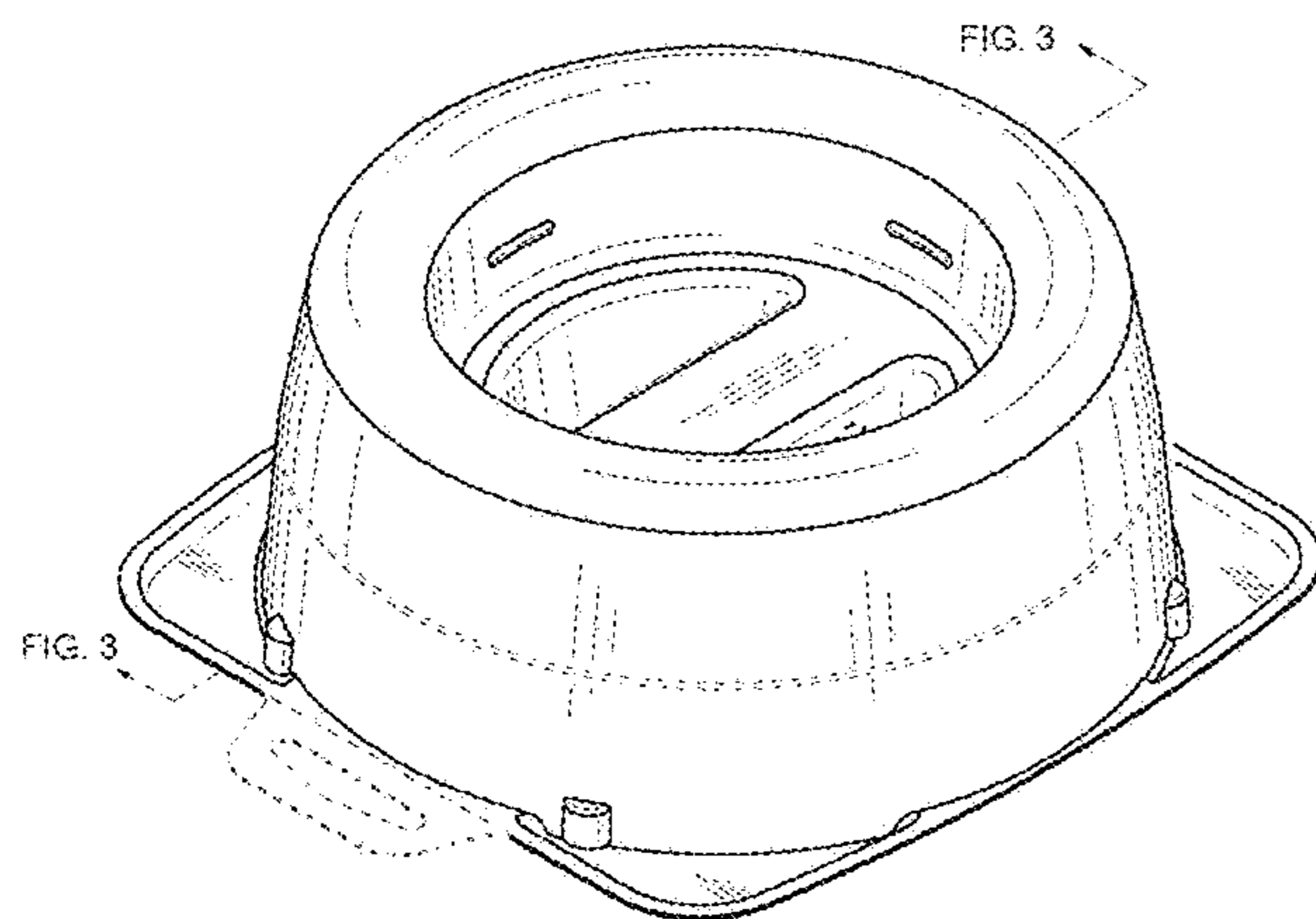
(57) **CLAIM**

The ornamental design for a wax ring tray, as shown and described.

DESCRIPTION

FIG. 1 is a top, right, front perspective view of a first aspect of a wax ring tray;
 FIG. 2 is a bottom, left, rear perspective view of the wax ring tray illustrated in FIG. 1;
 FIG. 3 is a cross sectional view of the wax ring tray taken along line 3 shown in FIG. 1;
 FIG. 4 is a front elevation view of the wax ring tray illustrated in FIG. 1;
 FIG. 5 is a rear elevation view of the wax ring tray illustrated in FIG. 1;
 FIG. 6 is a left elevation view of the wax ring tray illustrated in FIG. 1;
 FIG. 7 is a right elevation view of the wax ring tray illustrated in FIG. 1;
 FIG. 8 is a top plan view of the wax ring tray illustrated in FIG. 1;
 FIG. 9 is a bottom plan view of the wax ring tray illustrated in FIG. 1;
 FIG. 10 is a top, right, front perspective view of a second aspect of the wax ring tray illustrated in FIG. 1;
 FIG. 11 is a bottom, left, rear perspective view of the wax ring tray illustrated in FIG. 10;
 FIG. 12 is a cross sectional view of the wax ring tray taken along line 12 shown in FIG. 10;
 FIG. 13 is a front elevation view of the wax ring tray illustrated in FIG. 10;
 FIG. 14 is a rear elevation view of the wax ring tray illustrated in FIG. 10;
 FIG. 15 is a left elevation view of the wax ring tray illustrated in FIG. 10;
 FIG. 16 is a right elevation view of the wax ring tray illustrated in FIG. 10;
 FIG. 17 is a top plan view of the wax ring tray illustrated in FIG. 1; and,
 FIG. 18 is a bottom plan view of the wax ring tray illustrated in FIG. 10.

1 Claim, 14 Drawing Sheets



US D980,710 S

Page 2

- (58) **Field of Classification Search**
CPC B65D 5/42; B65D 81/24; B65D 73/00;
B65D 2577/10
See application file for complete search history.

(56) **References Cited**

U.S. PATENT DOCUMENTS

D234,122	S	*	1/1975	Horbilt	A63H 18/028	D9/415
D248,543	S	*	7/1978	Strelcheck	D9/415	
4,285,157	A	*	8/1981	Lambert	A63H 18/028 446/76	
4,469,226	A	*	9/1984	Matney	B65D 75/366 206/467	
D276,215	S	*	11/1984	Wang	D9/415	
D285,905	S	*	9/1986	Segal	D9/415	
D286,140	S	*	10/1986	Kodousek	D9/415	
D292,887	S	*	11/1987	Schouten	D9/424	
D305,870	S	*	2/1990	Perkins	D9/415	
D306,561	S	*	3/1990	Lee	D9/415	
D355,600	S	*	2/1995	Ford	D9/415	
D400,096	S	*	10/1998	Lee	D9/415	
D405,367	S	*	2/1999	Lee	D9/415	

D408,280	S	*	4/1999	Manley	D9/418	
D434,316	S	*	11/2000	Simmers	D9/418	
D440,490	S	*	4/2001	Lizzio	D9/428	
D474,023	S	*	5/2003	Vasudeva	D9/415	
D499,964	S	*	12/2004	Elliott	D9/415	
D506,926	S	*	7/2005	Halliday	D9/416	
D524,643	S	*	7/2006	Legrand	D9/415	
D561,579	S	*	2/2008	Aronson	D9/415	
D590,152	S	*	4/2009	Reines	D9/415	
D591,591	S	*	5/2009	Moecks	D9/428	
D605,033	S	*	12/2009	Iacona	D9/415	
D750,975	S	*	3/2016	Prince	D9/456	
D801,802	S	*	11/2017	Loritz	D9/415	
D816,482	S	*	5/2018	Street	D9/415	
D877,558	S	*	3/2020	Dorfmueller	D9/454	
D885,185	S	*	5/2020	Hudson	D9/454	
D920,115	S	*	5/2021	Lee	D9/454	

OTHER PUBLICATIONS

Lou Manfredini, Feb. 15, 2017, Twitter.com Post, URL: <https://mobile.twitter.com/HouseSmartsTV/status/831890061041901568> (Year: 2017).*

* cited by examiner

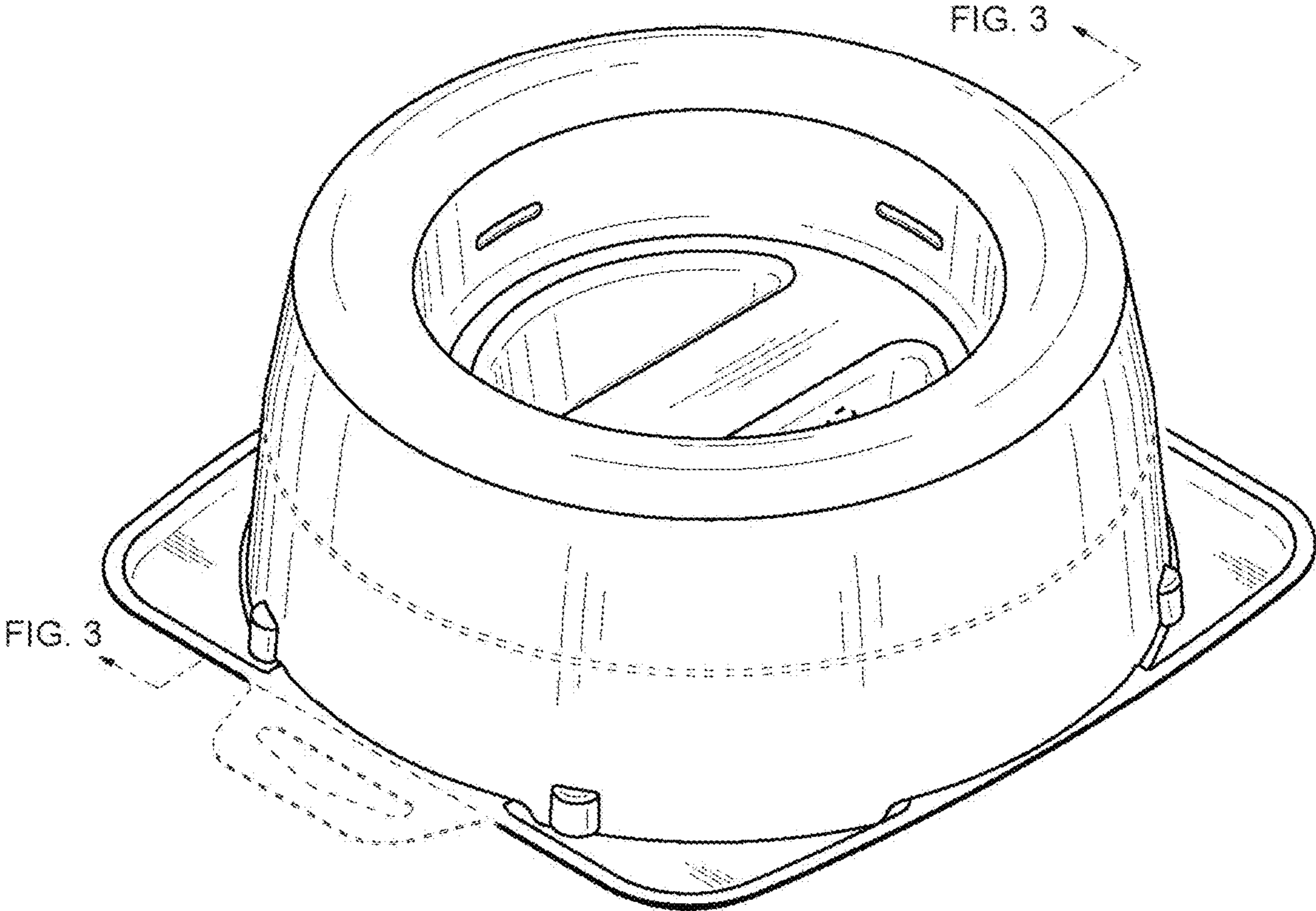


FIG. 1

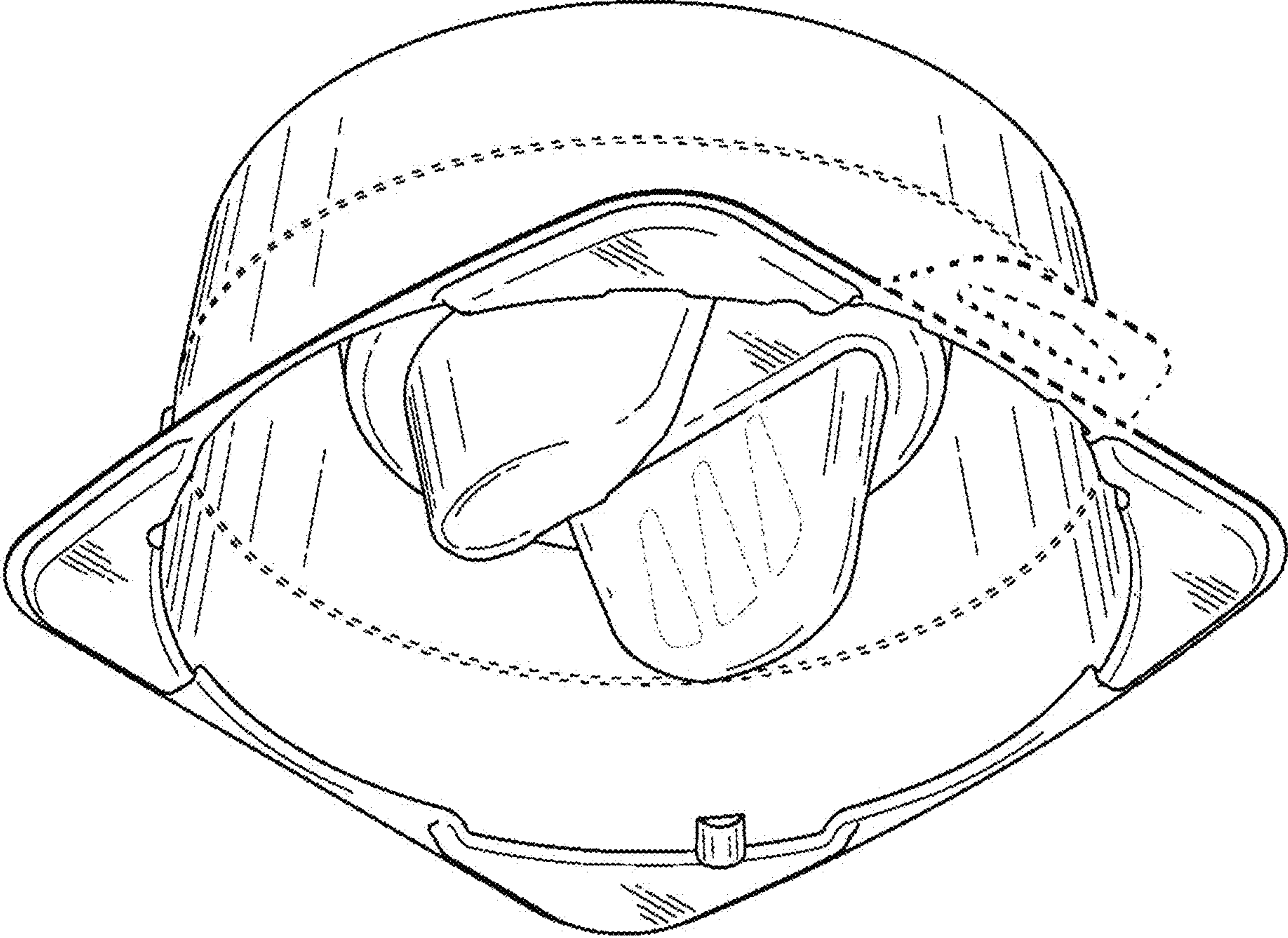


FIG. 2

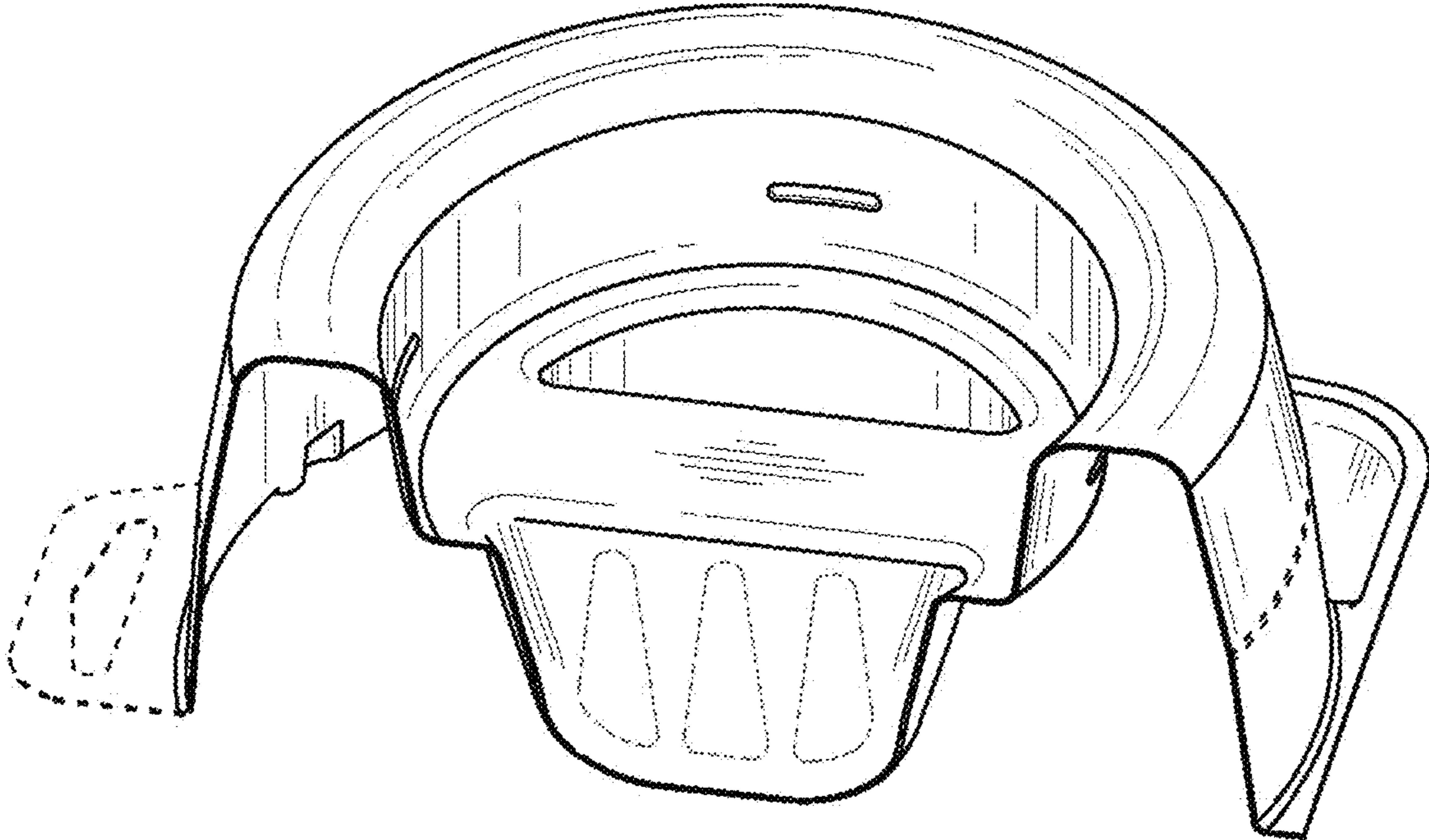


FIG. 3

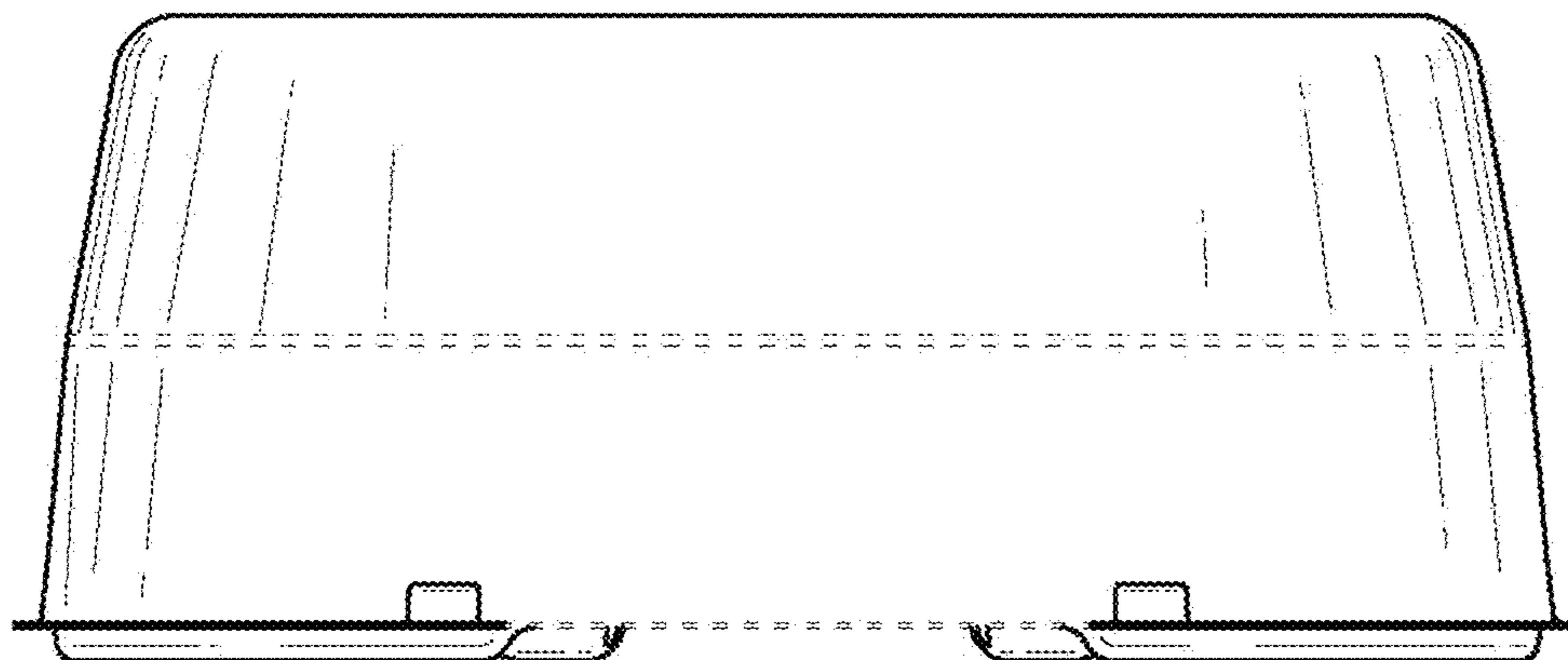


FIG. 4

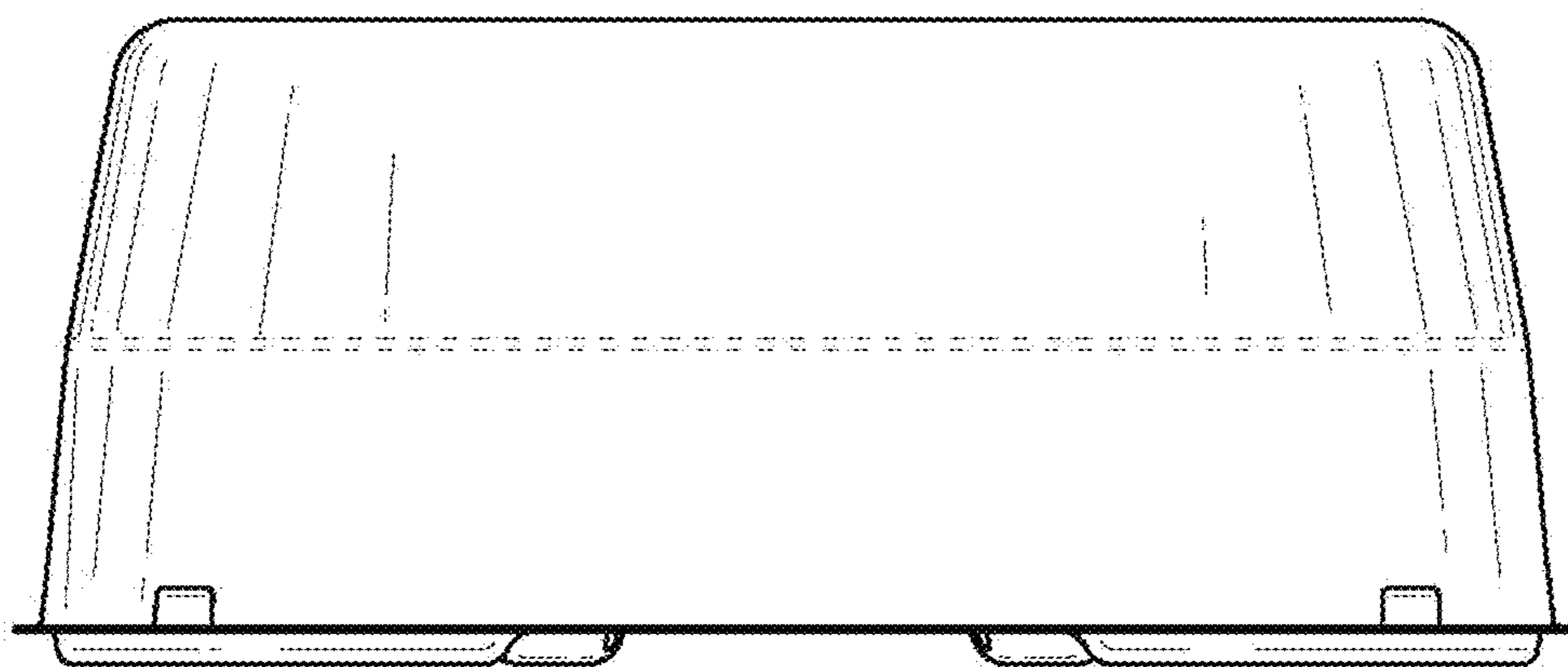


FIG. 5

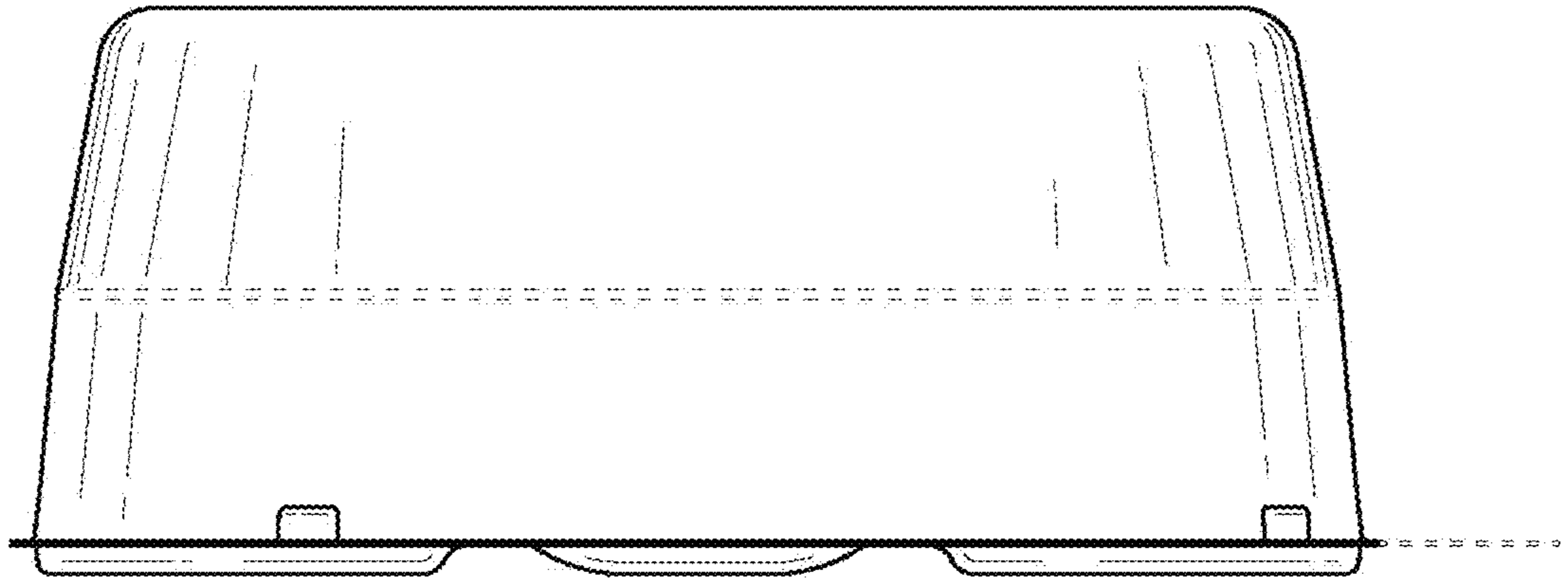


FIG. 6

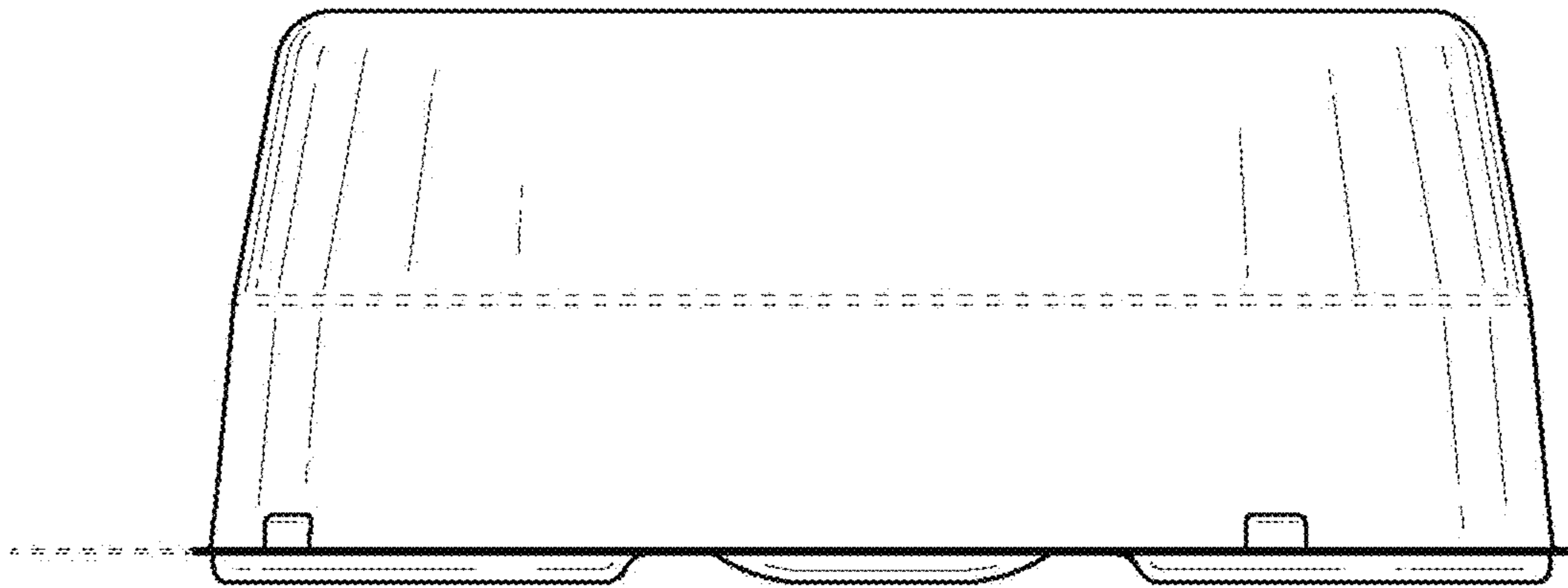


FIG. 7

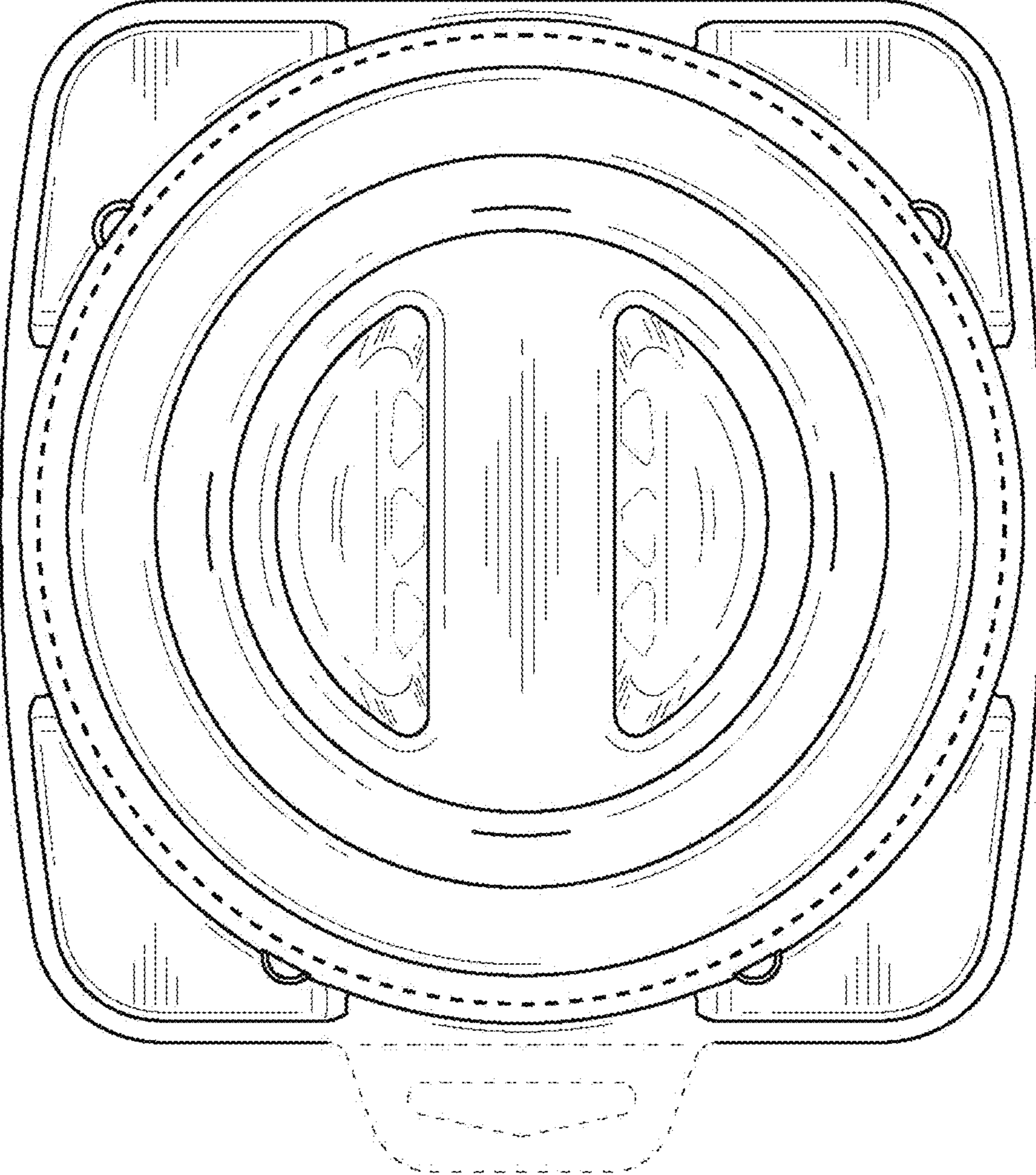


FIG. 8

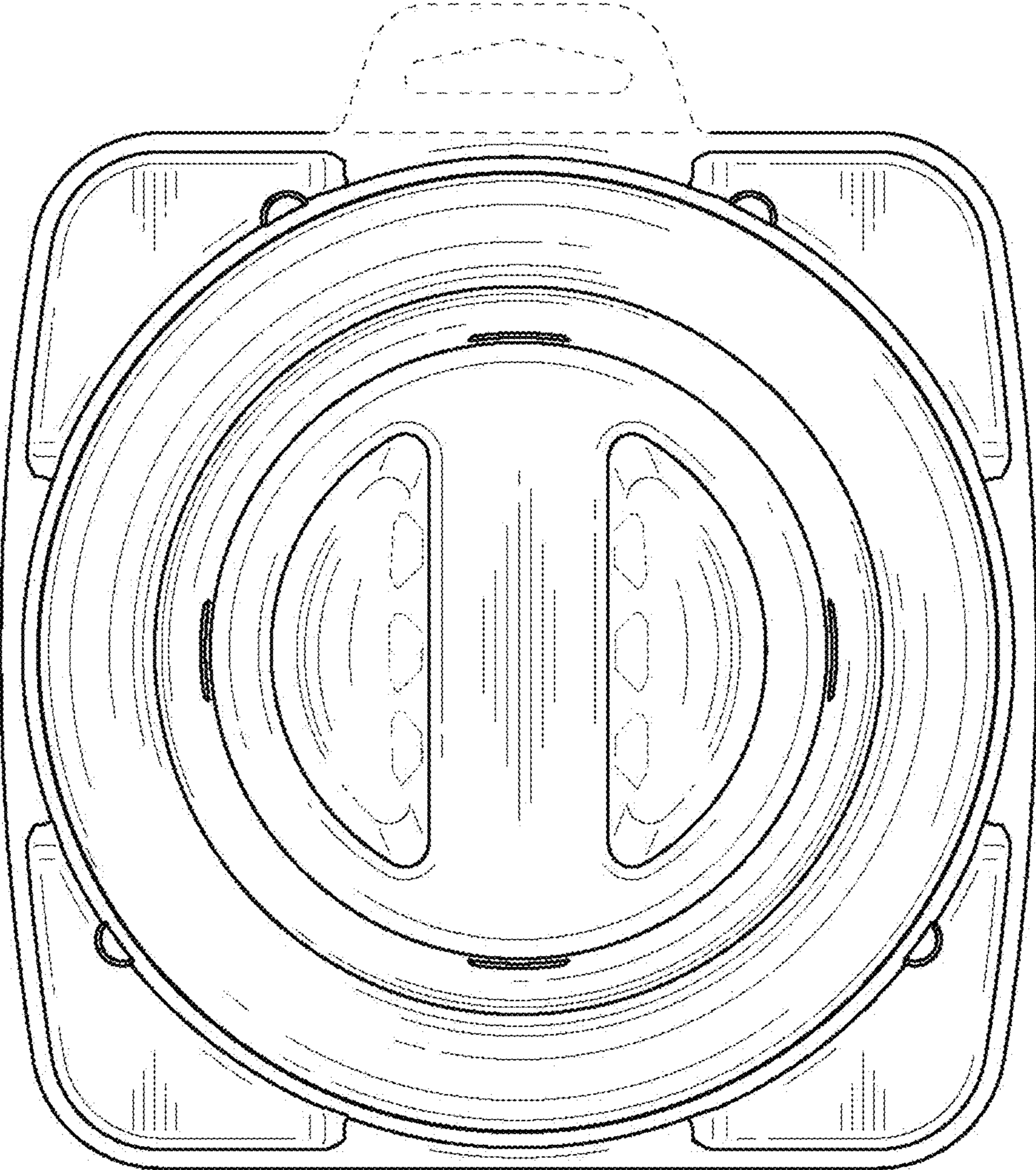


FIG. 9

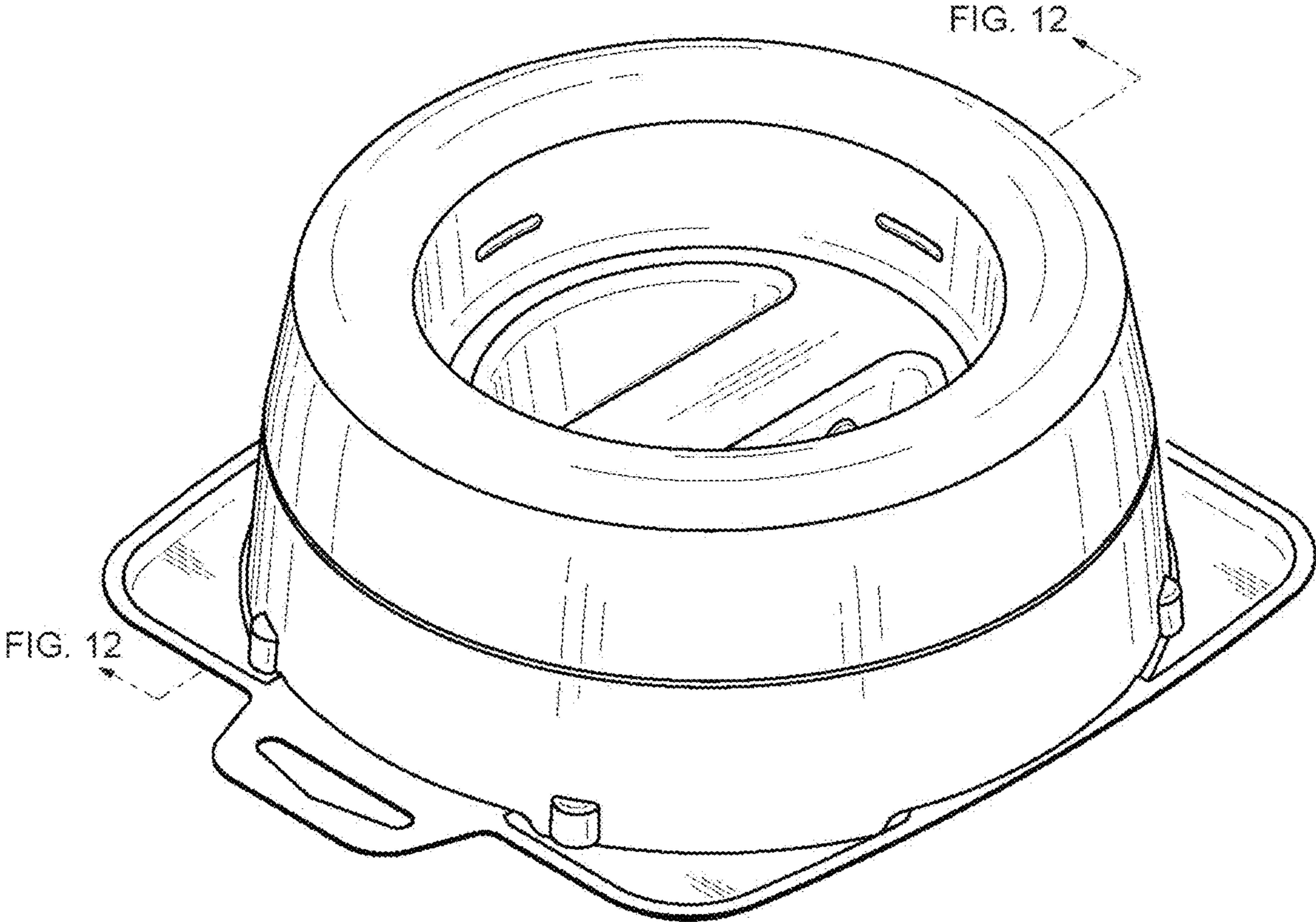


FIG. 10

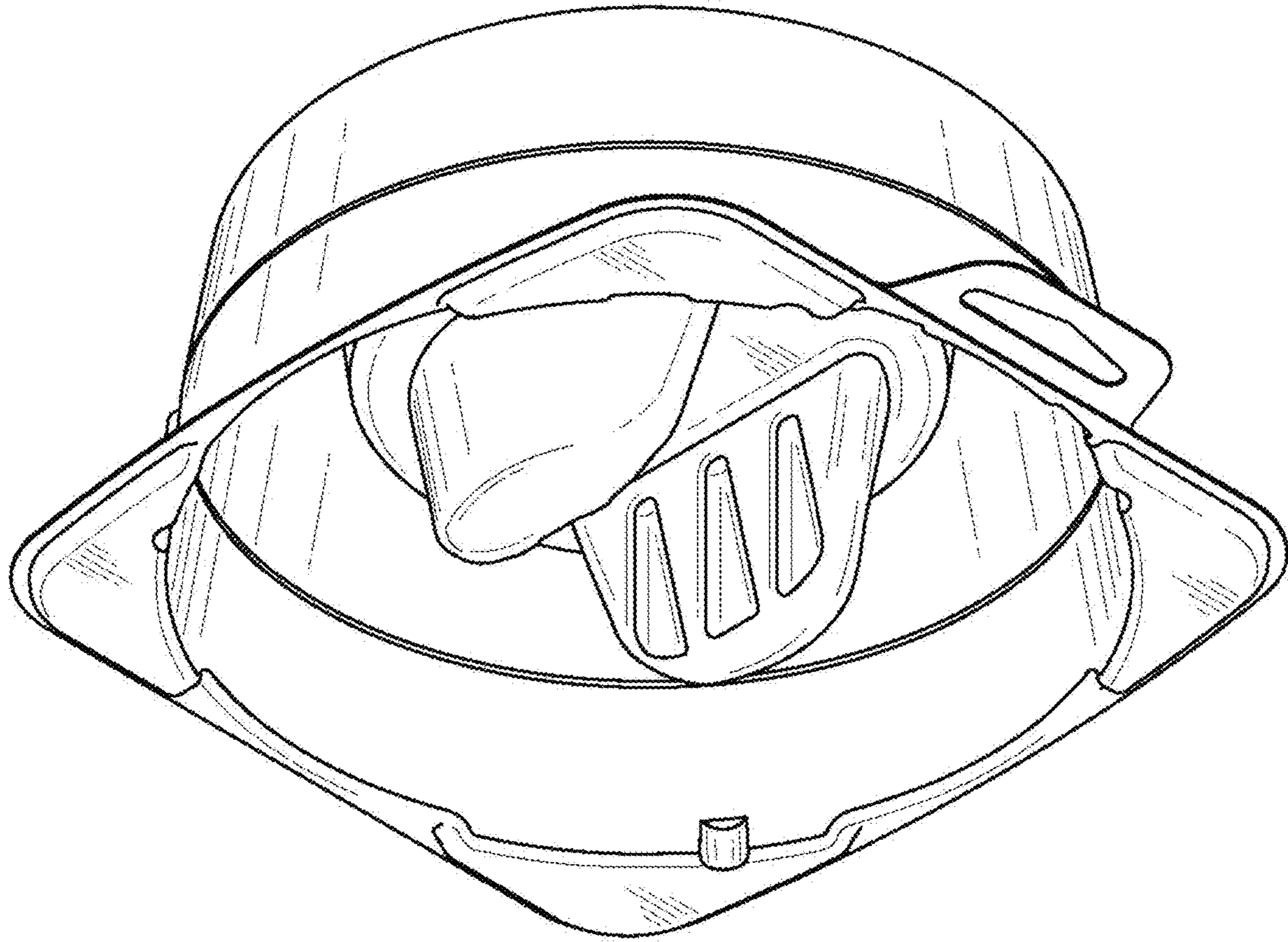


FIG. 11

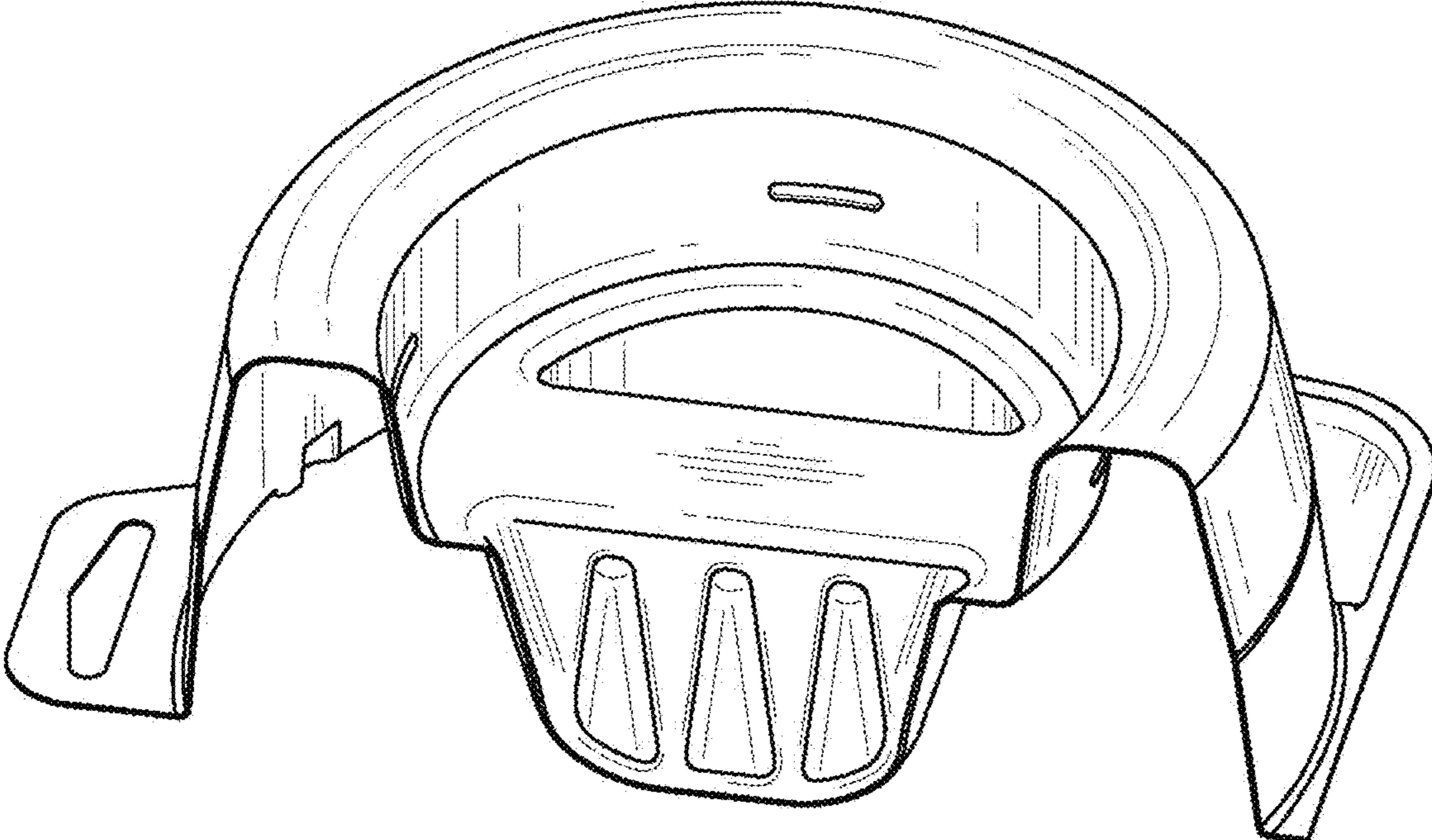


FIG. 12

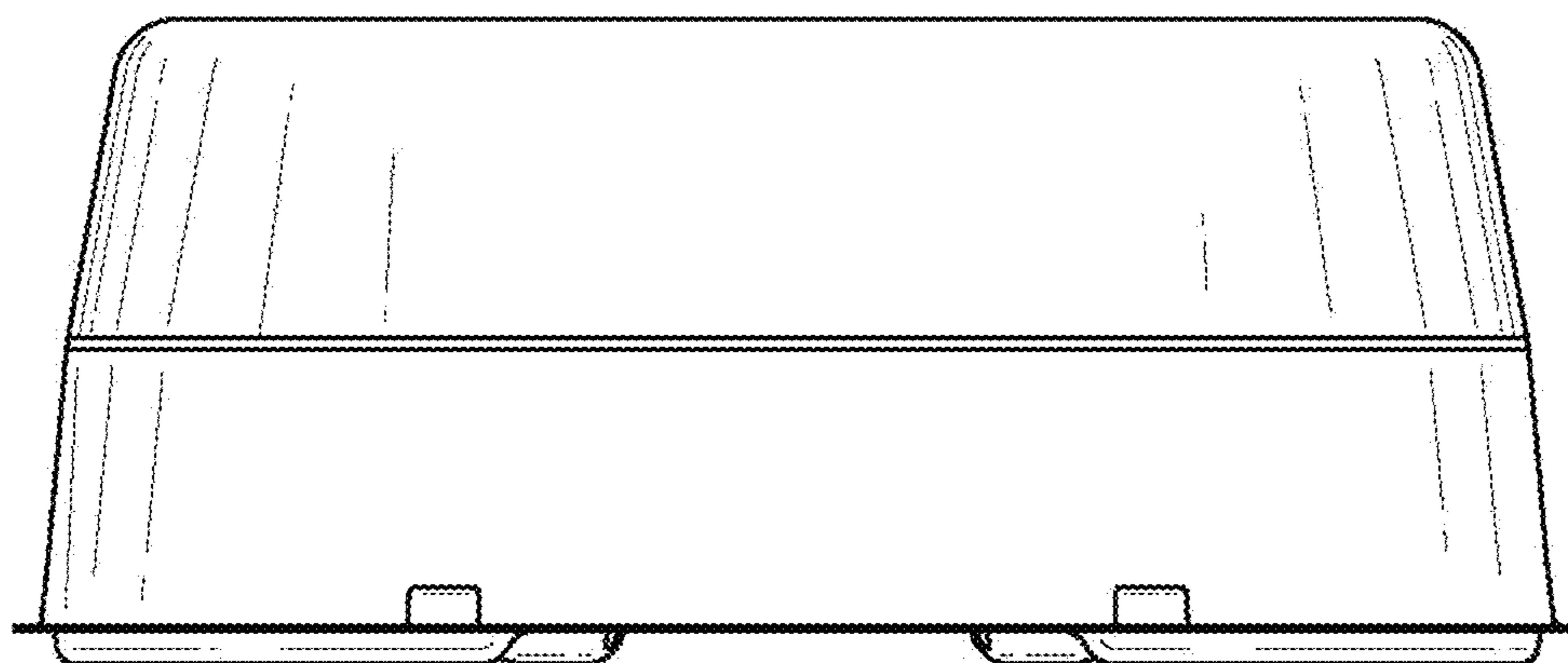


FIG. 13

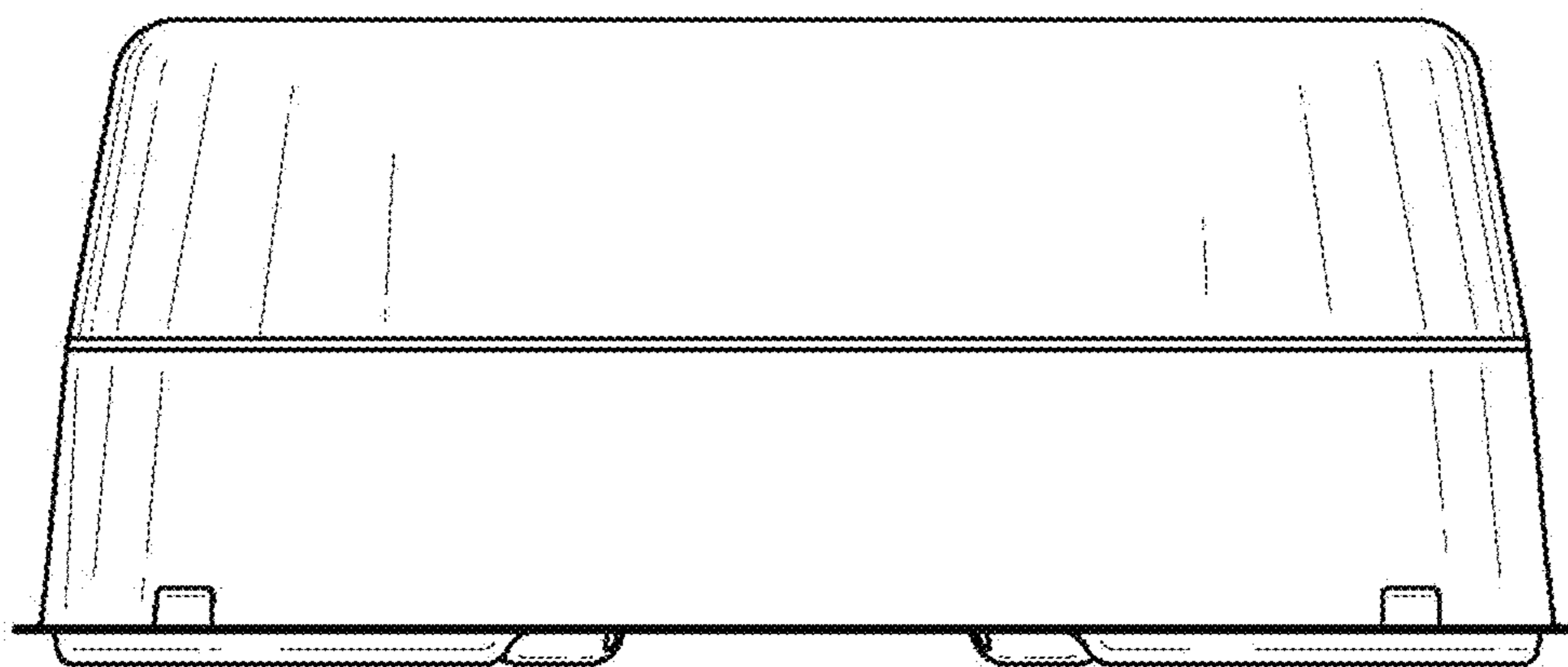


FIG. 14

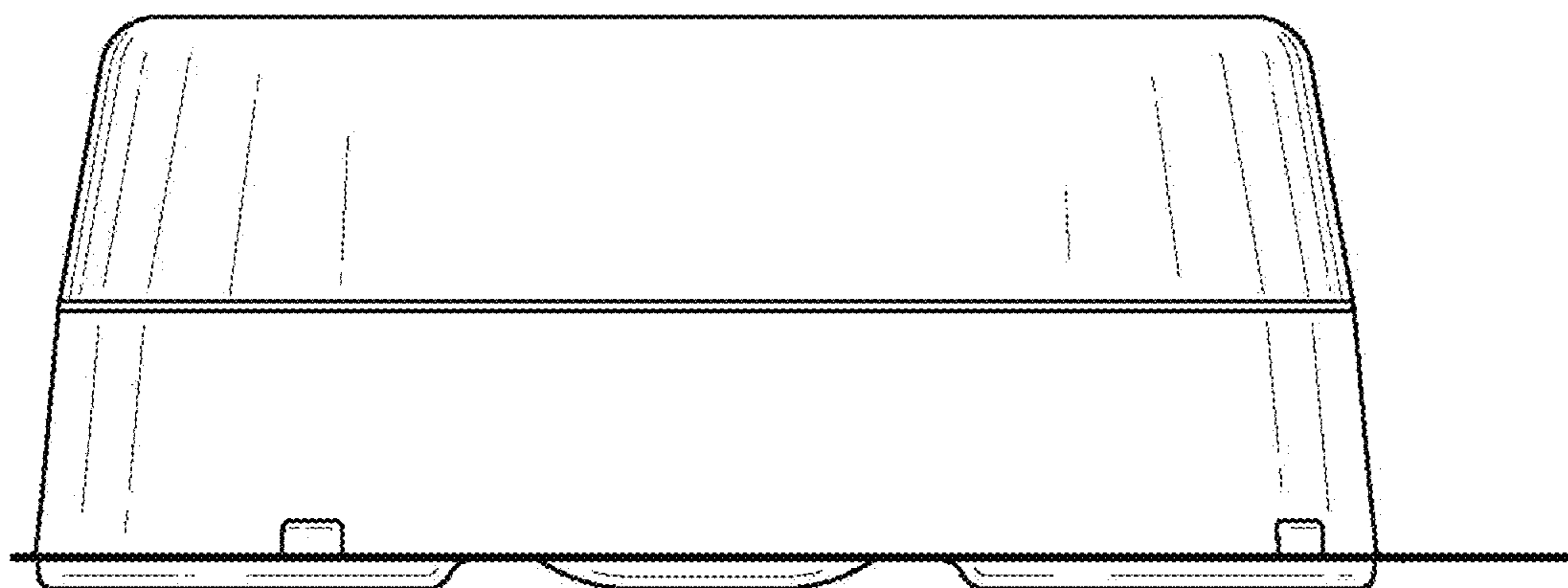


FIG. 15

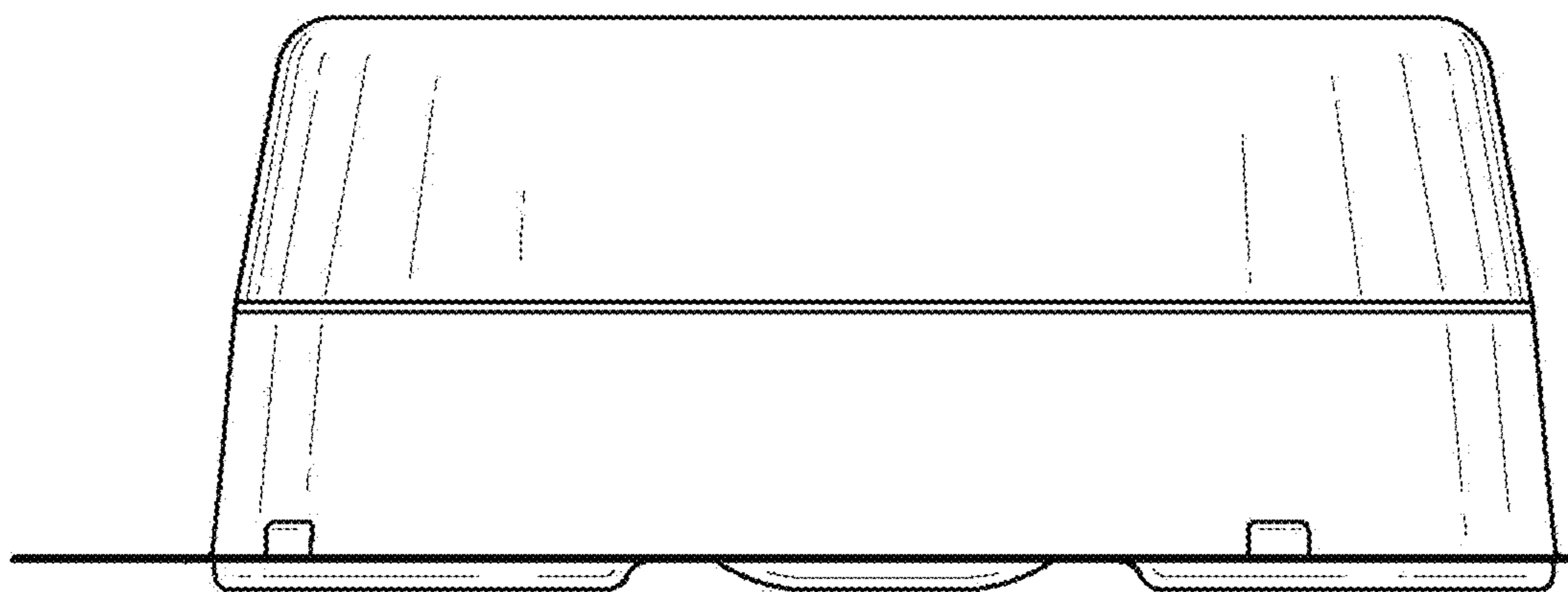


FIG. 16

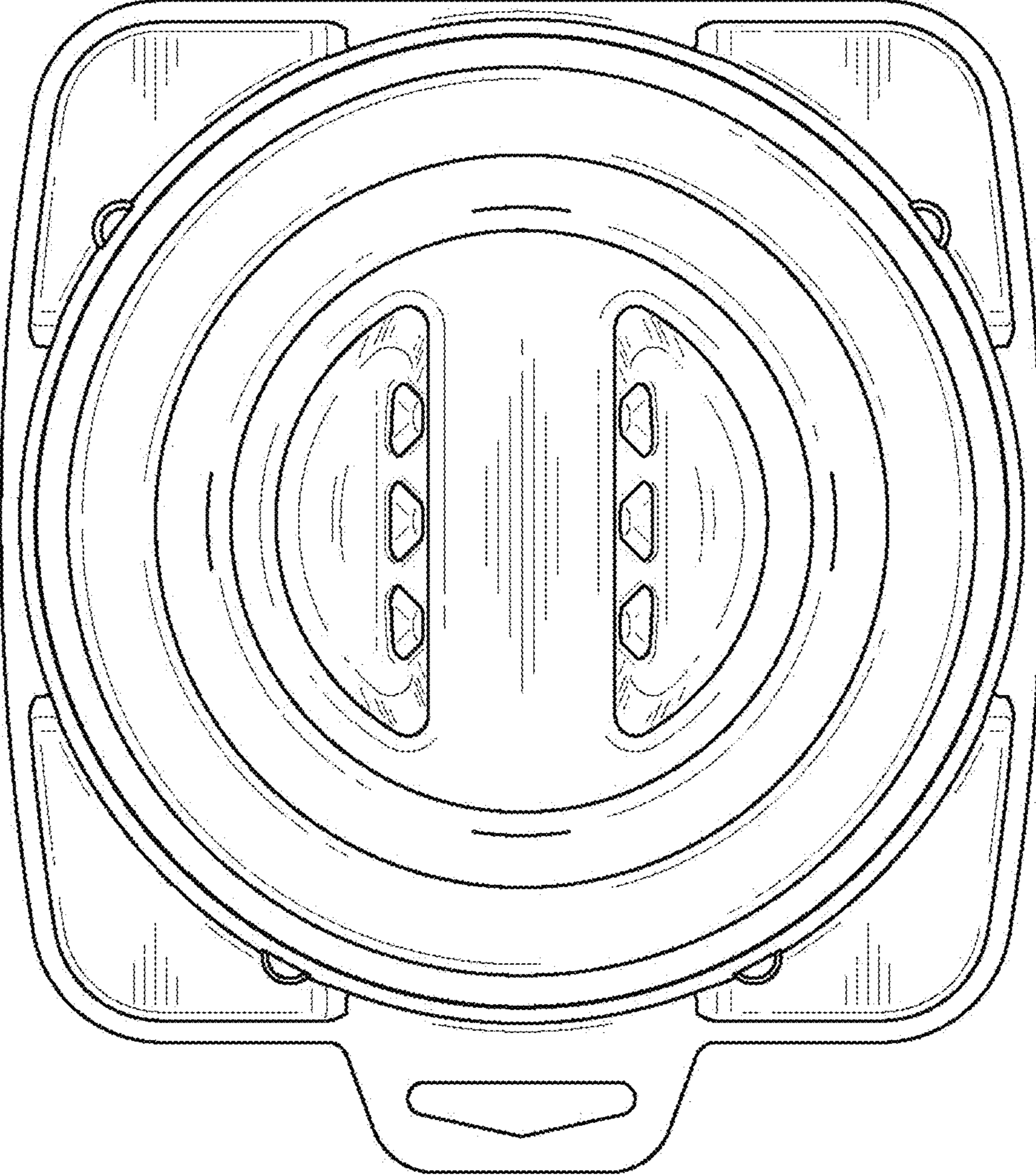


FIG. 17

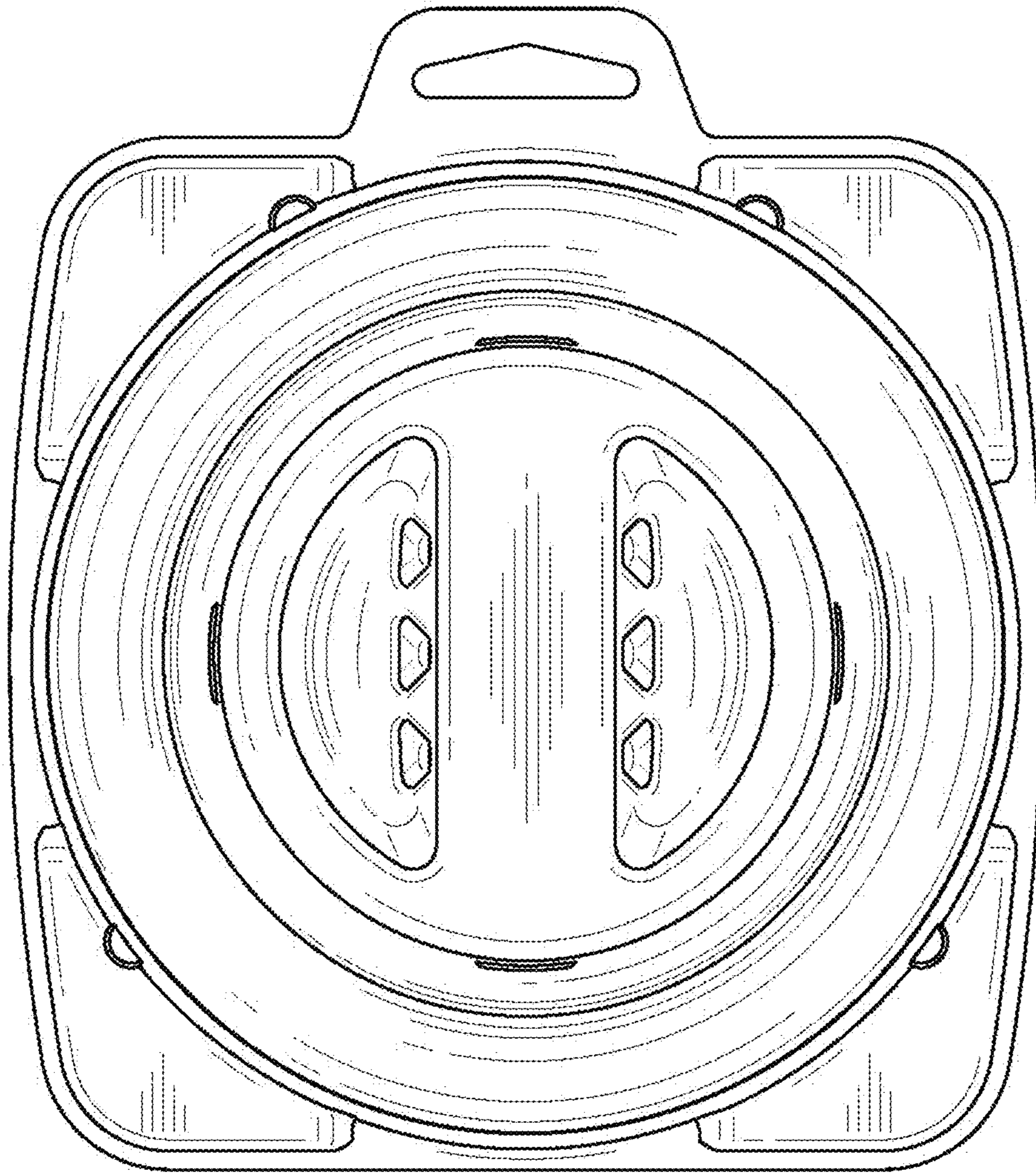


FIG. 18