



US00D980708S

(12) **United States Design Patent**
Nolte

(10) **Patent No.:** **US D980,708 S**

(45) **Date of Patent:** **** Mar. 14, 2023**

(54) **CASEMENT WINDOW OPERATOR HANDLE AND COVER**

(71) Applicant: **Truth Hardware Corporation,**
Owatonna, MN (US)

(72) Inventor: **Douglas Nolte,** Owatonna, MN (US)

(73) Assignee: **Amesbury Truth Corporation,**
Owatonna, MN (US)

(**) Term: **15 Years**

(21) Appl. No.: **29/772,543**

(22) Filed: **Mar. 2, 2021**

(51) **LOC (14) Cl.** **08-09**

(52) **U.S. Cl.**
USPC **D8/400; D8/337**

(58) **Field of Classification Search**
USPC D8/330, 331, 336, 337, 338, 341, 380,
D8/373, 349, 300, 301, 400-499
CPC ... E05B 17/0025; E05B 17/0004; E05B 17/00
See application file for complete search history.

(56) **References Cited**

U.S. PATENT DOCUMENTS

3,270,536	A *	9/1966	Sprung	E05C 3/047
					70/211
D435,429	S *	12/2000	Barnett	D8/338
D497,304	S *	10/2004	Stoll	D8/343
D522,837	S *	6/2006	Vetter	D8/337
D533,446	S *	12/2006	Vetter	D8/400
D591,146	S *	4/2009	Dallmann	D8/400
D595,110	S *	6/2009	Berstler	D8/337
D595,111	S *	6/2009	Jones	D8/337
7,823,935	B2 *	11/2010	Norris	E05C 9/22
					292/DIG. 20
9,404,288	B2 *	8/2016	Curtis	E05C 17/60
D780,555	S *	3/2017	Vetter	D8/331
9,725,934	B2 *	8/2017	Vetter	E05C 9/185

D818,798	S *	5/2018	Black	D8/337
D819,425	S *	6/2018	Black	D8/337
D844,412	S *	4/2019	Von Holzhausen	D8/337
10,294,714	B2 *	5/2019	Massey	E06B 9/52
D874,901	S *	2/2020	Vetter	D8/337
D895,414	S *	9/2020	Woodward	E05F 11/02
					D8/337
10,930,124	B2 *	2/2021	Fames	G08B 13/08
D913,783	S *	3/2021	Nolte	D8/400

(Continued)

Primary Examiner — Keli L Hill

Assistant Examiner — Harold E Blackwell, II

(74) *Attorney, Agent, or Firm* — Bradley J. Thorson

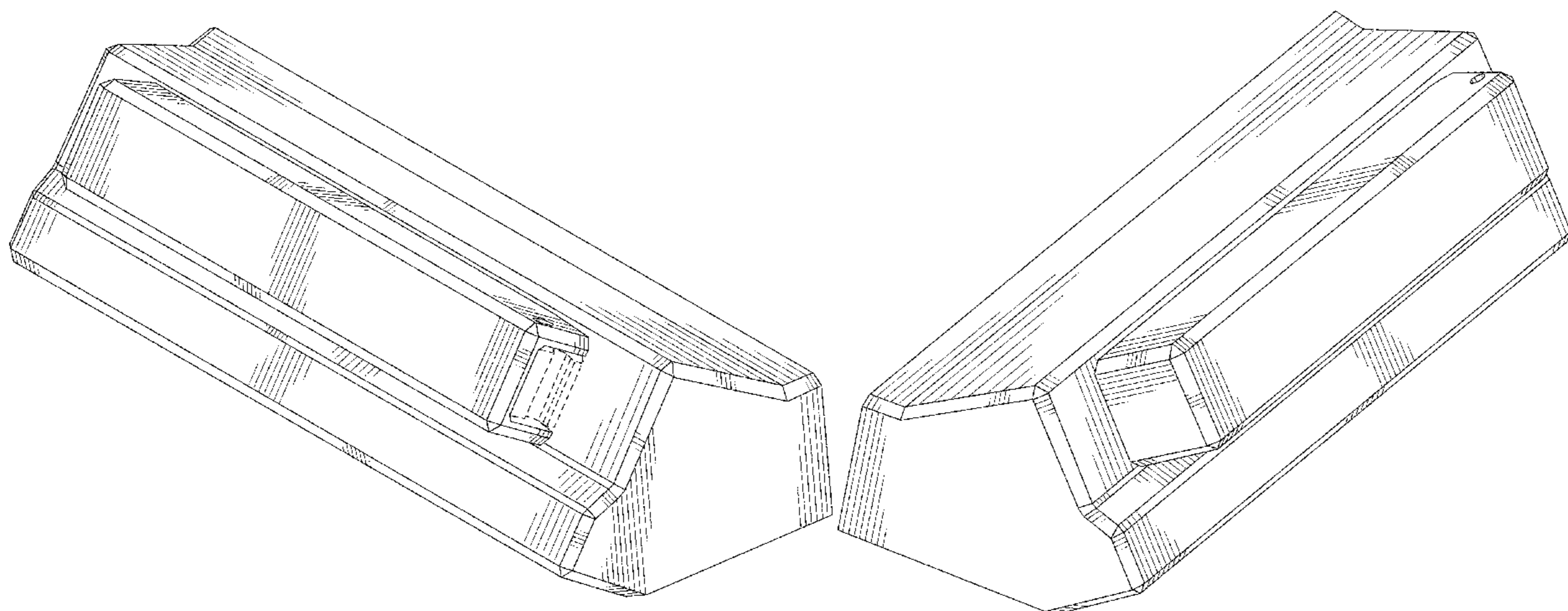
(57) **CLAIM**

The ornamental design for a casement window operator handle and cover, as shown and described.

DESCRIPTION

FIG. 1. is a right isometric view of the casement window operator handle and cover;
 FIG. 2. is a left isometric view of the casement window operator handle and cover;
 FIG. 3. is a right elevation view of the casement window operator handle and cover;
 FIG. 4. is a left elevation view of the casement window operator handle and cover;
 FIG. 5. is a front elevation view of the casement window operator handle and cover;
 FIG. 6. is a top plan view of the casement window operator handle and cover;
 FIG. 7. is a rear elevation view of the casement window operator handle and cover; and,
 FIG. 8. is a bottom plan view of the casement window operator handle and cover.
 The broken lines in the drawings depict portions of the casement window operator handle and cover that form no part of the claimed design.

1 Claim, 5 Drawing Sheets



(56)

References Cited

U.S. PATENT DOCUMENTS

D930,465 S * 9/2021 Nolte D8/337
2002/0066162 A1* 6/2002 Klompenburg E05F 11/16
16/429
2018/0058105 A1* 3/2018 Van Klompenburg
E05B 65/0811

* cited by examiner

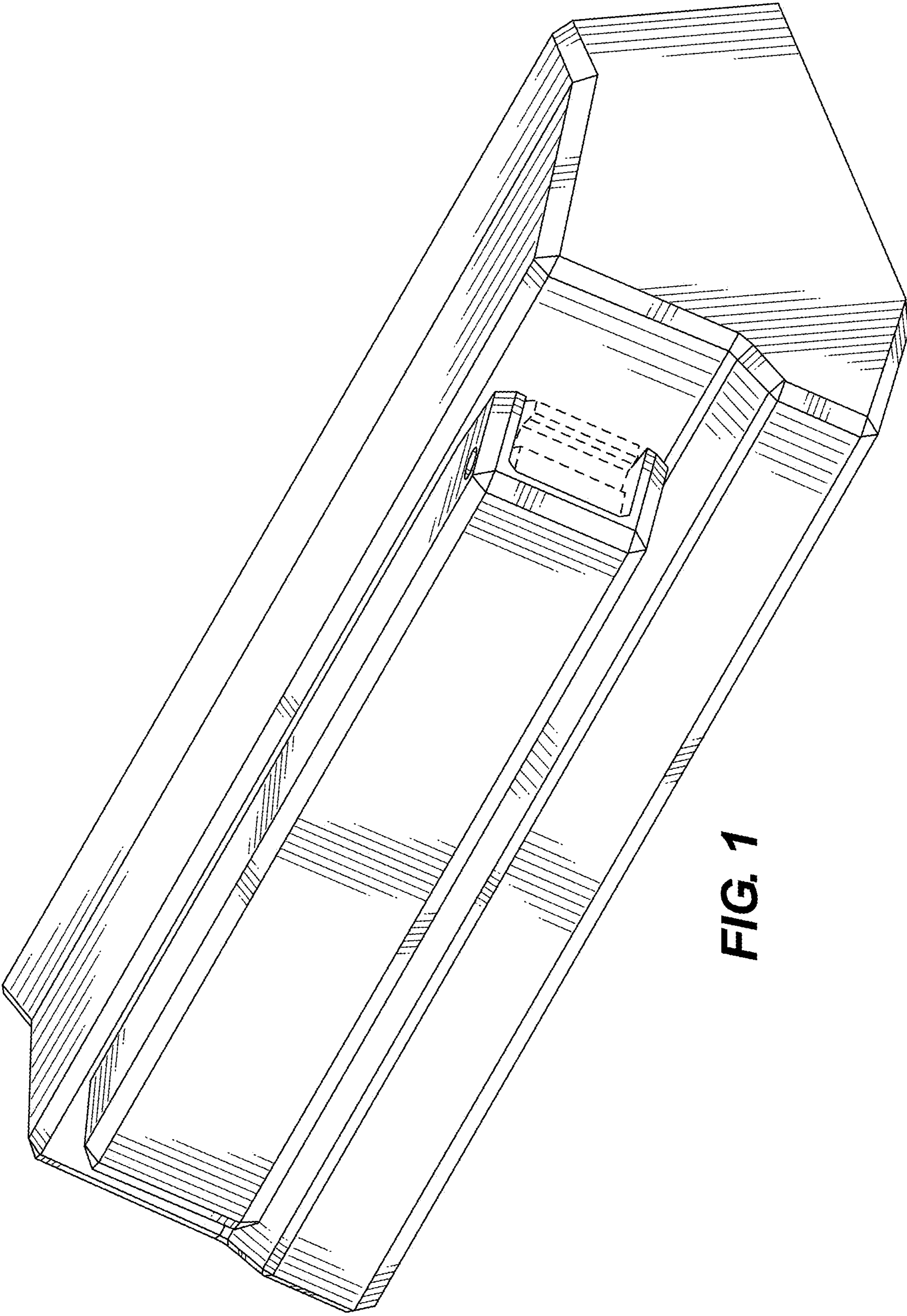


FIG. 1

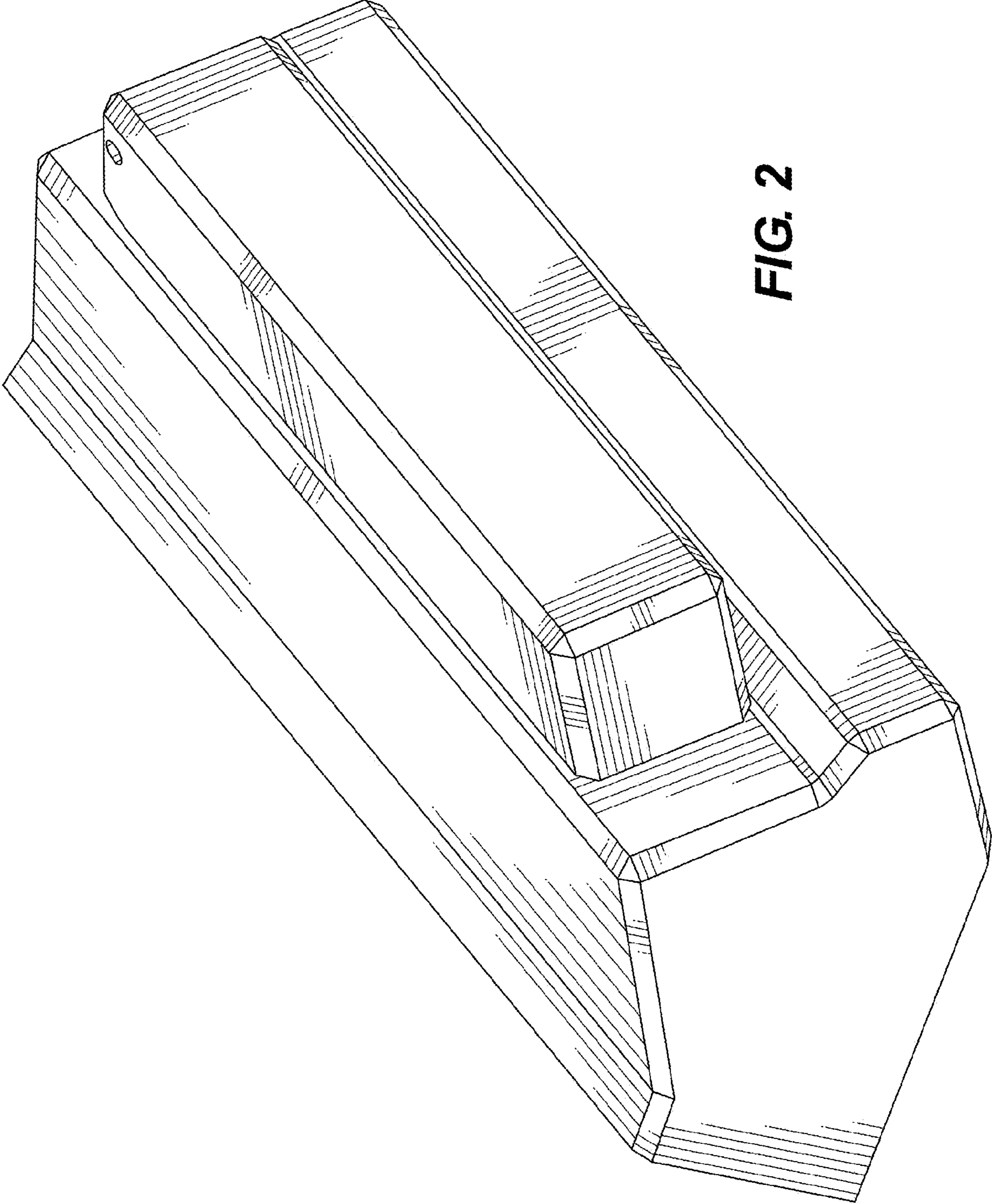


FIG. 2

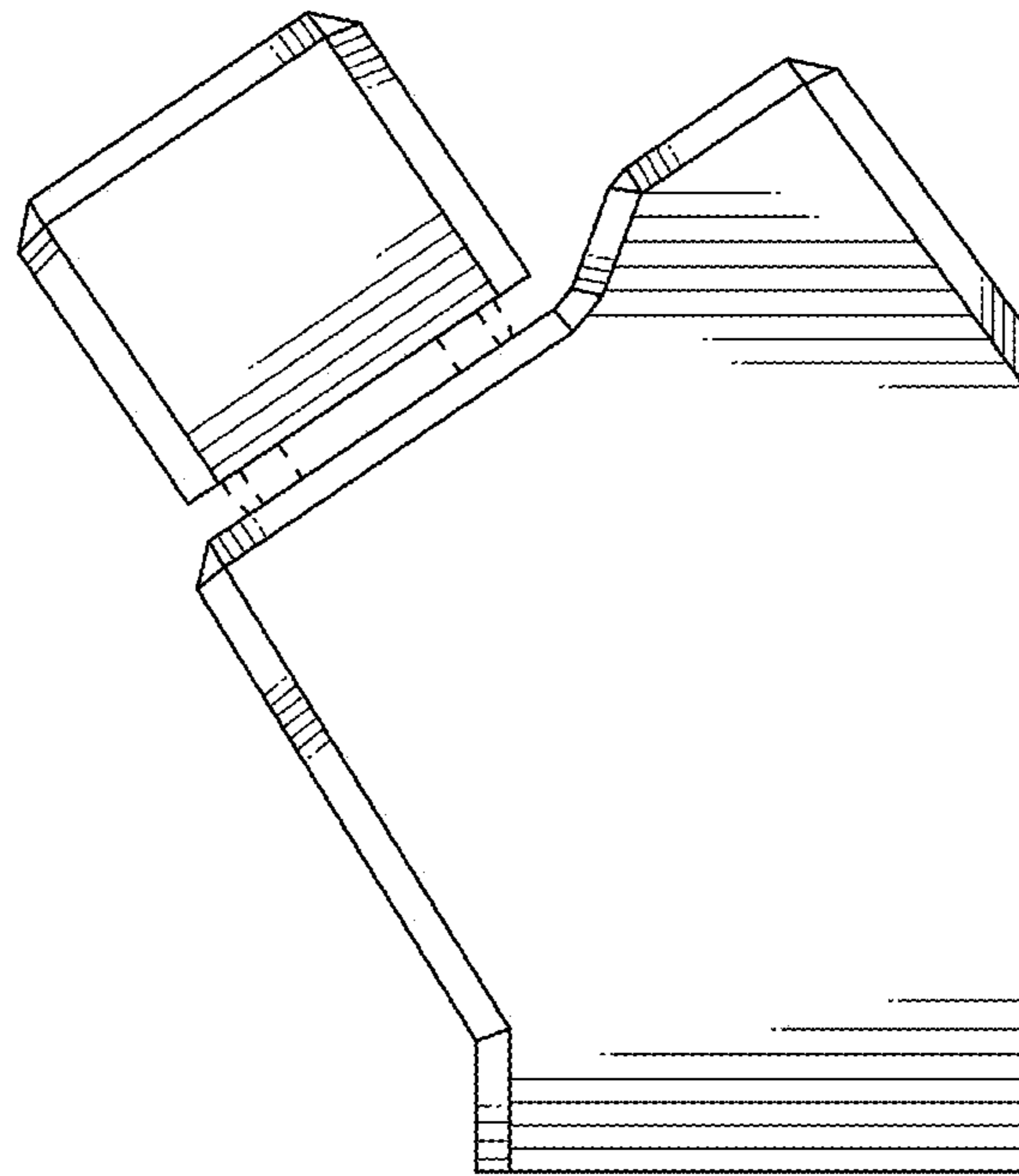


FIG. 4

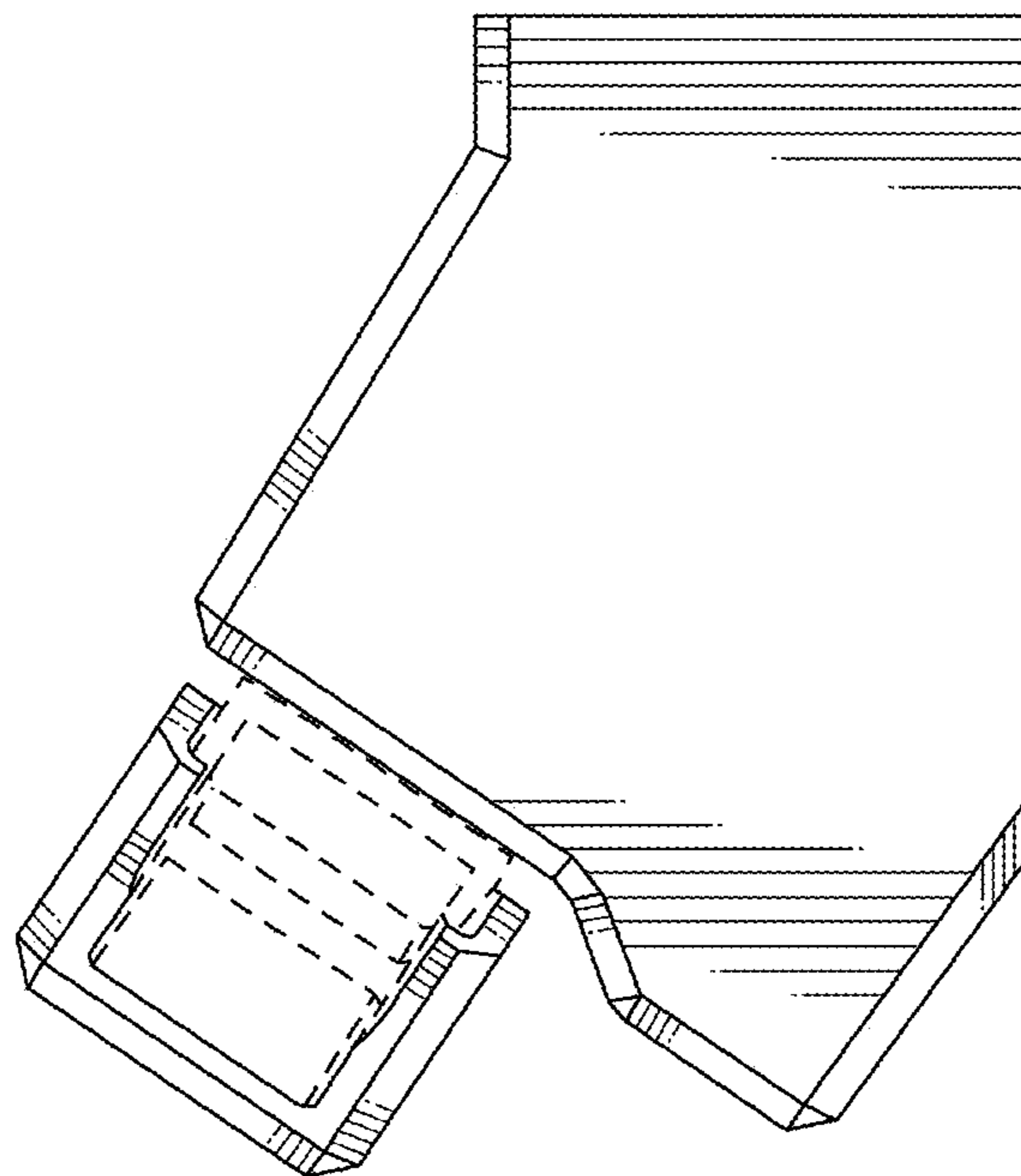


FIG. 3

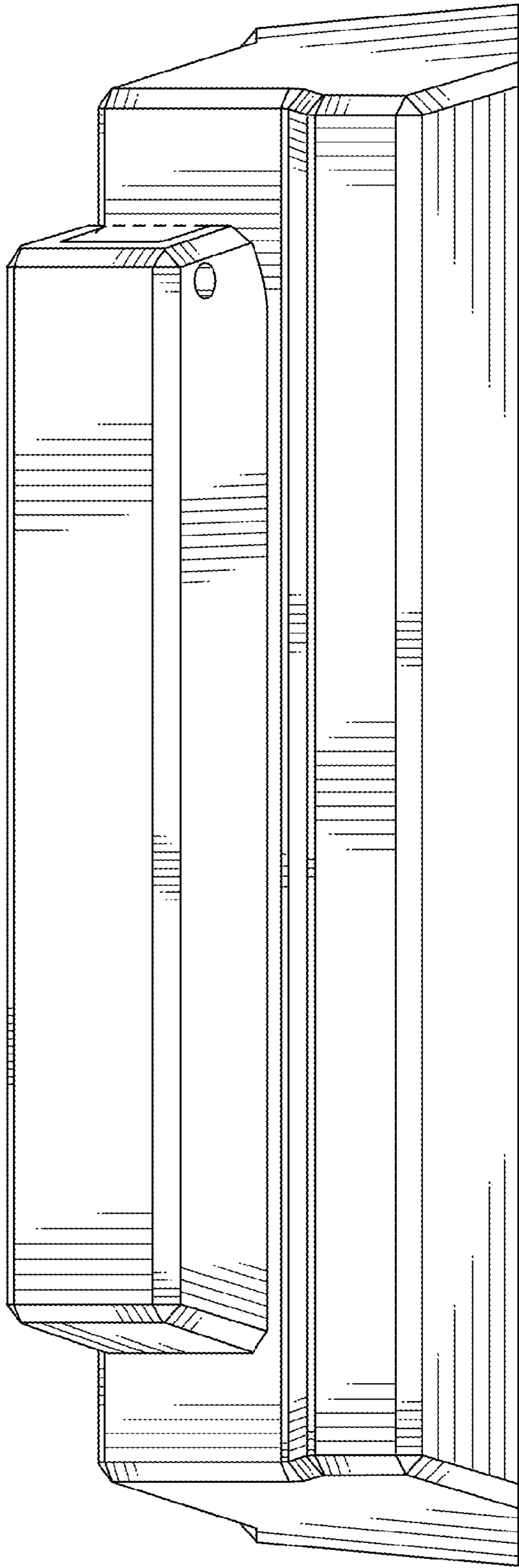


FIG. 5

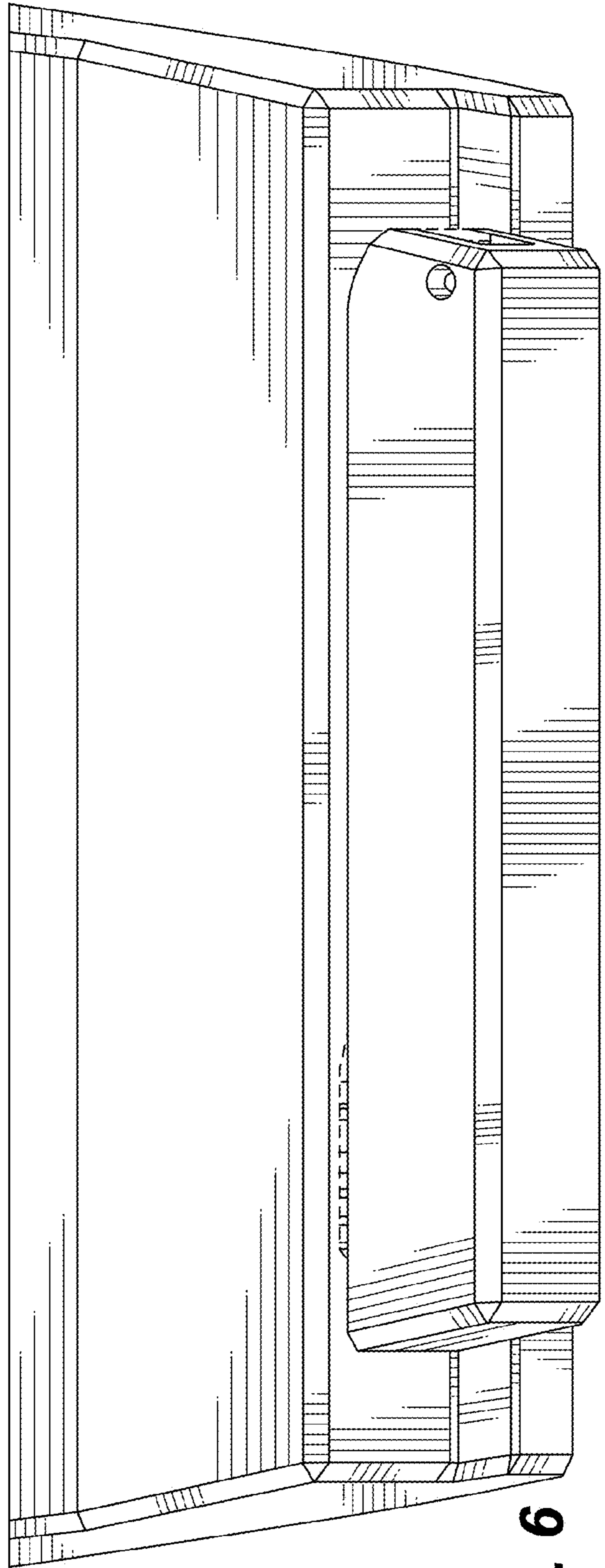


FIG. 6

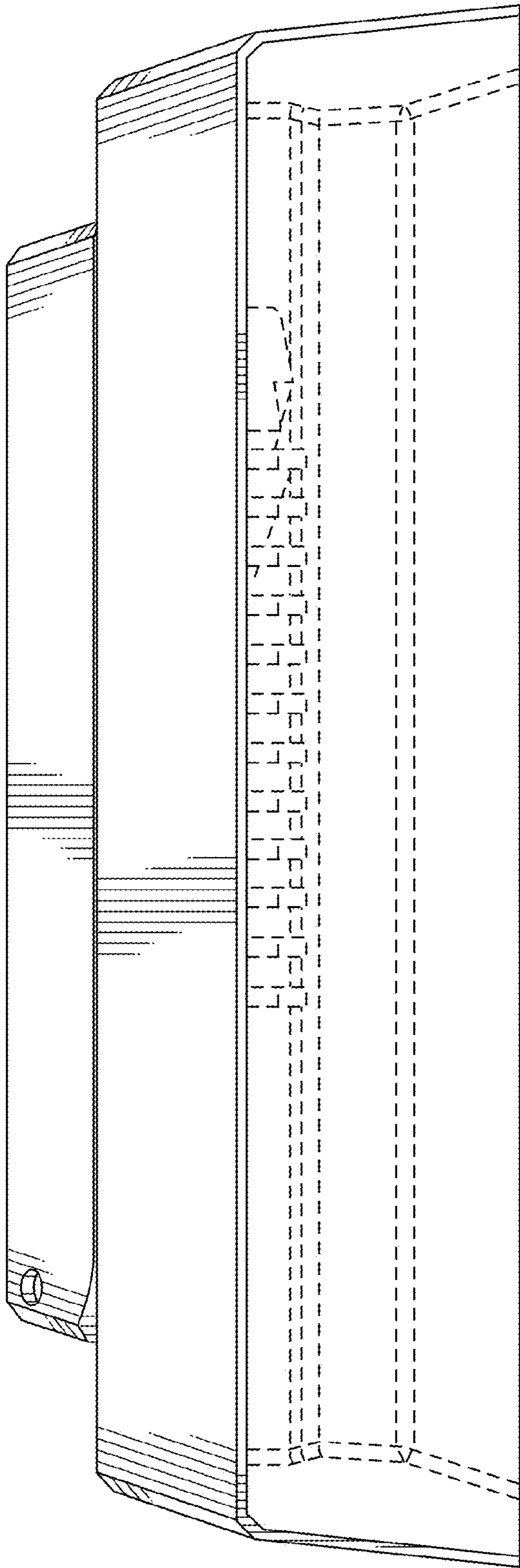


FIG. 7

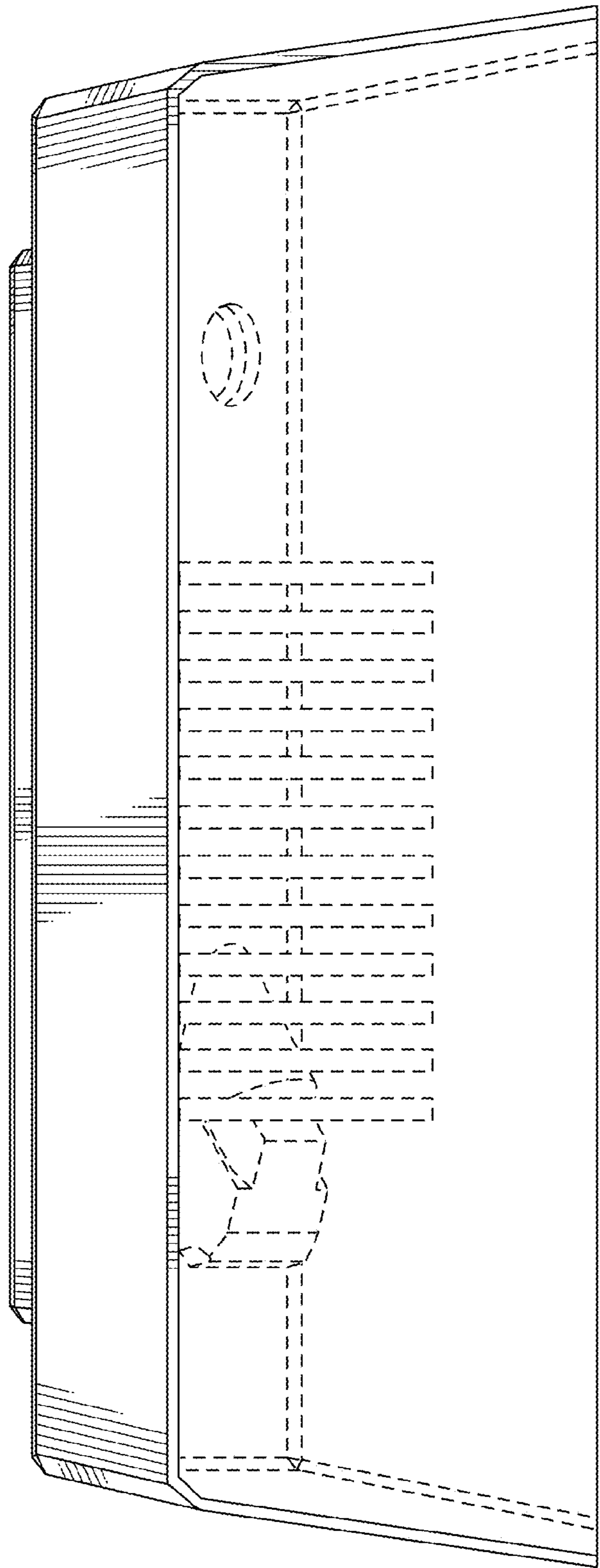


FIG. 8