



US00D980707S

(12) **United States Design Patent** (10) **Patent No.:** **US D980,707 S**  
**Lee** (45) **Date of Patent:** **\*\* Mar. 14, 2023**

(54) **BOLT**  
(71) Applicant: **Min Woo Lee**, Gyeonggi-do (KR)  
(72) Inventor: **Min Woo Lee**, Gyeonggi-do (KR)  
(\*\*) Term: **15 Years**  
(21) Appl. No.: **29/798,334**  
(22) Filed: **Jul. 7, 2021**

(30) **Foreign Application Priority Data**

Feb. 15, 2021 (KR) ..... 30-2021-0007407

(51) **LOC (14) Cl.** ..... **08-08**  
(52) **U.S. Cl.**  
USPC ..... **D8/387**  
(58) **Field of Classification Search**  
USPC ..... D8/387  
CPC ..... F16B 23/00; F16B 23/0023  
See application file for complete search history.

(56) **References Cited**

**U.S. PATENT DOCUMENTS**

308,246 A \* 11/1884 Frearson ..... F16B 23/0023  
411/404  
D104,473 S \* 5/1937 Phillips ..... D8/387  
2,082,748 A \* 6/1937 Brown ..... F16B 23/0092  
81/436  
2,173,707 A \* 9/1939 Brown ..... F16B 23/0092  
81/460  
2,216,381 A \* 10/1940 West ..... F16B 23/0023  
81/460  
2,216,382 A \* 10/1940 West ..... F16B 23/0023  
81/438  
2,359,898 A \* 10/1944 Clark ..... F16B 23/0092  
411/404  
2,474,994 A \* 7/1949 Tomalis ..... F16B 23/0023  
411/404  
2,507,231 A \* 5/1950 Tomalis ..... B25B 15/005  
81/460

2,592,462 A \* 4/1952 Phipard, Jr. .... F16B 23/0023  
411/481  
2,752,814 A \* 7/1956 Iaia ..... F16B 43/001  
D8/387  
3,006,443 A \* 10/1961 Siler ..... F16B 43/00  
29/464  
3,094,894 A \* 6/1963 Broberg ..... F16B 25/0021  
411/417  
D200,217 S \* 2/1965 Curtiss ..... D8/387  
D200,218 S \* 2/1965 Curtiss ..... D8/387  
3,238,541 A \* 3/1966 Muenchinger ..... B21K 1/463  
470/15  
3,357,295 A \* 12/1967 Smith ..... F16B 23/0023  
411/386

(Continued)

**FOREIGN PATENT DOCUMENTS**

CN 300984273 \* 8/2009  
KR 301100872.0000 \* 3/2021  
KR 301144332.0000 \* 12/2021

*Primary Examiner* — Sheryl Lane  
*Assistant Examiner* — Ieisha N Price  
(74) *Attorney, Agent, or Firm* — IPLA P.A.

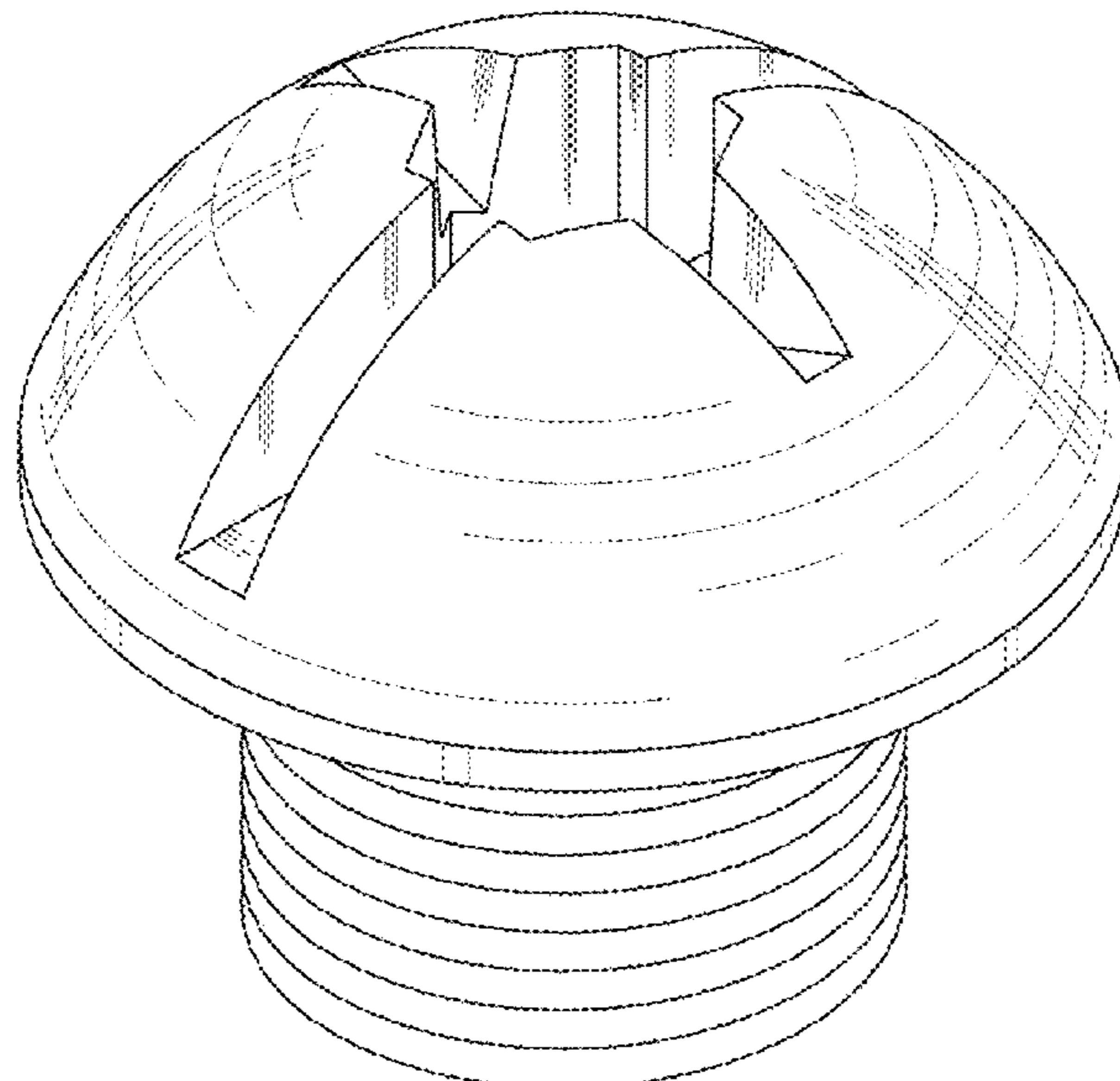
(57) **CLAIM**

The ornamental design for a bolt, as shown and described.

**DESCRIPTION**

FIG. 1 is a perspective view of my new design showing a bolt;  
FIG. 2 is a front elevation view thereof;  
FIG. 3 is a rear elevation view thereof;  
FIG. 4 is a left side elevation view thereof;  
FIG. 5 is a right side elevation view thereof;  
FIG. 6 is a top plan view thereof;  
FIG. 7 is a bottom plan view thereof; and,  
FIG. 8 is a section cut view taken along VIII-VIII of FIG. 6.

**1 Claim, 5 Drawing Sheets**



(56)

References Cited

U.S. PATENT DOCUMENTS

3,478,639 A \* 11/1969 Gruca ..... F16B 5/0275  
411/387.1  
4,084,478 A \* 4/1978 Simmons ..... F16B 23/0007  
411/404  
D264,552 S \* 5/1982 Bogren ..... D8/387  
5,171,117 A \* 12/1992 Seidl ..... B25B 15/005  
411/404  
5,203,742 A \* 4/1993 Grady ..... B21K 1/463  
411/407  
5,358,368 A \* 10/1994 Conlan ..... F16B 23/0092  
411/410  
5,364,212 A \* 11/1994 Gill ..... F16B 23/0007  
411/404  
D360,575 S \* 7/1995 Saito ..... D8/387  
5,674,037 A \* 10/1997 Lu ..... F16B 23/0092  
411/404  
D413,254 S \* 8/1999 Lee ..... D8/387  
D414,402 S \* 9/1999 Lee ..... D8/387  
6,293,745 B1 \* 9/2001 Lu ..... F16B 23/0053  
411/404  
6,341,546 B1 \* 1/2002 Totsu ..... F16B 23/0092  
411/404  
D482,957 S \* 12/2003 Lajeunesse ..... D8/387  
D493,097 S \* 7/2004 Shinjo ..... D8/387

7,013,767 B1 \* 3/2006 Seim ..... F16B 23/0023  
81/426  
D551,068 S \* 9/2007 Chen ..... D8/387  
D612,230 S \* 3/2010 Tanner ..... D8/387  
D642,901 S \* 8/2011 Li ..... D8/387  
D646,152 S \* 10/2011 Shinjo ..... D8/387  
D647,392 S \* 10/2011 Zacharevitz ..... D8/387  
D723,910 S \* 3/2015 Totsu ..... D8/387  
D888,544 S \* 6/2020 Schwartzkopf ..... D8/387  
D889,951 S \* 7/2020 Totsu ..... D8/387  
D892,604 S \* 8/2020 Tsai ..... D8/387  
2003/0002952 A1 \* 1/2003 Totsu ..... F16B 23/0023  
81/441  
2005/0047891 A1 \* 3/2005 Toyooka ..... F16B 23/0023  
411/403  
2009/0257844 A1 \* 10/2009 Chou ..... F16B 23/0023  
411/410  
2011/0182696 A1 \* 7/2011 Ogawa ..... F16B 23/0061  
411/404  
2012/0237316 A1 \* 9/2012 Chiu ..... F16B 5/0208  
411/353  
2014/0356094 A1 \* 12/2014 Revel ..... F16B 37/145  
411/82.5  
2016/0230799 A1 \* 8/2016 Pritchard ..... F16B 23/003  
2018/0009090 A1 \* 1/2018 Dilling ..... B25B 15/005  
2018/0347612 A1 \* 12/2018 Falkenstein ..... B25B 15/005  
2020/0284286 A1 \* 9/2020 Lanz ..... H01R 4/56  
2022/0313329 A1 \* 10/2022 Destainville ..... F16B 23/0023

\* cited by examiner

FIG. 1

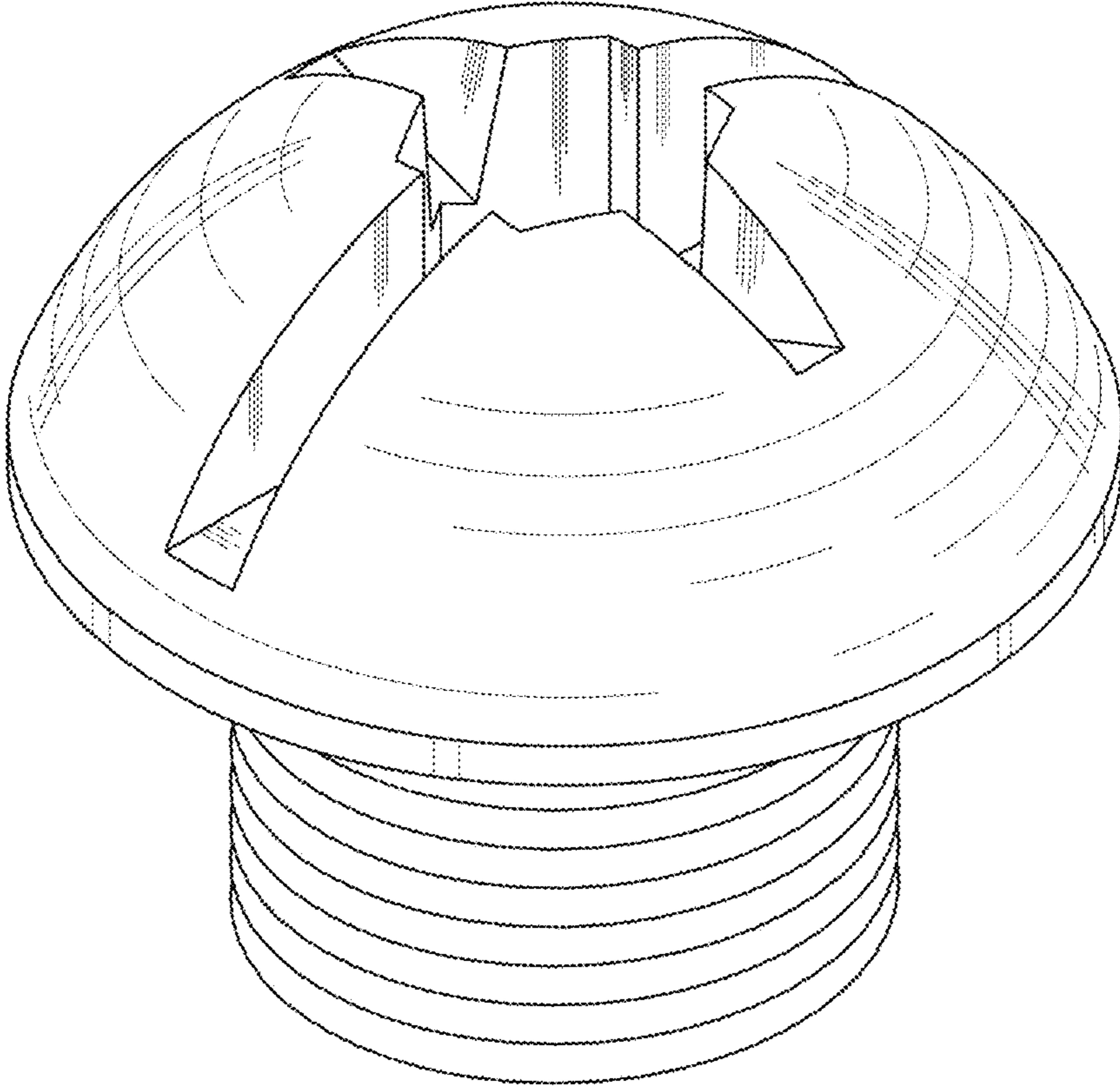


FIG. 2

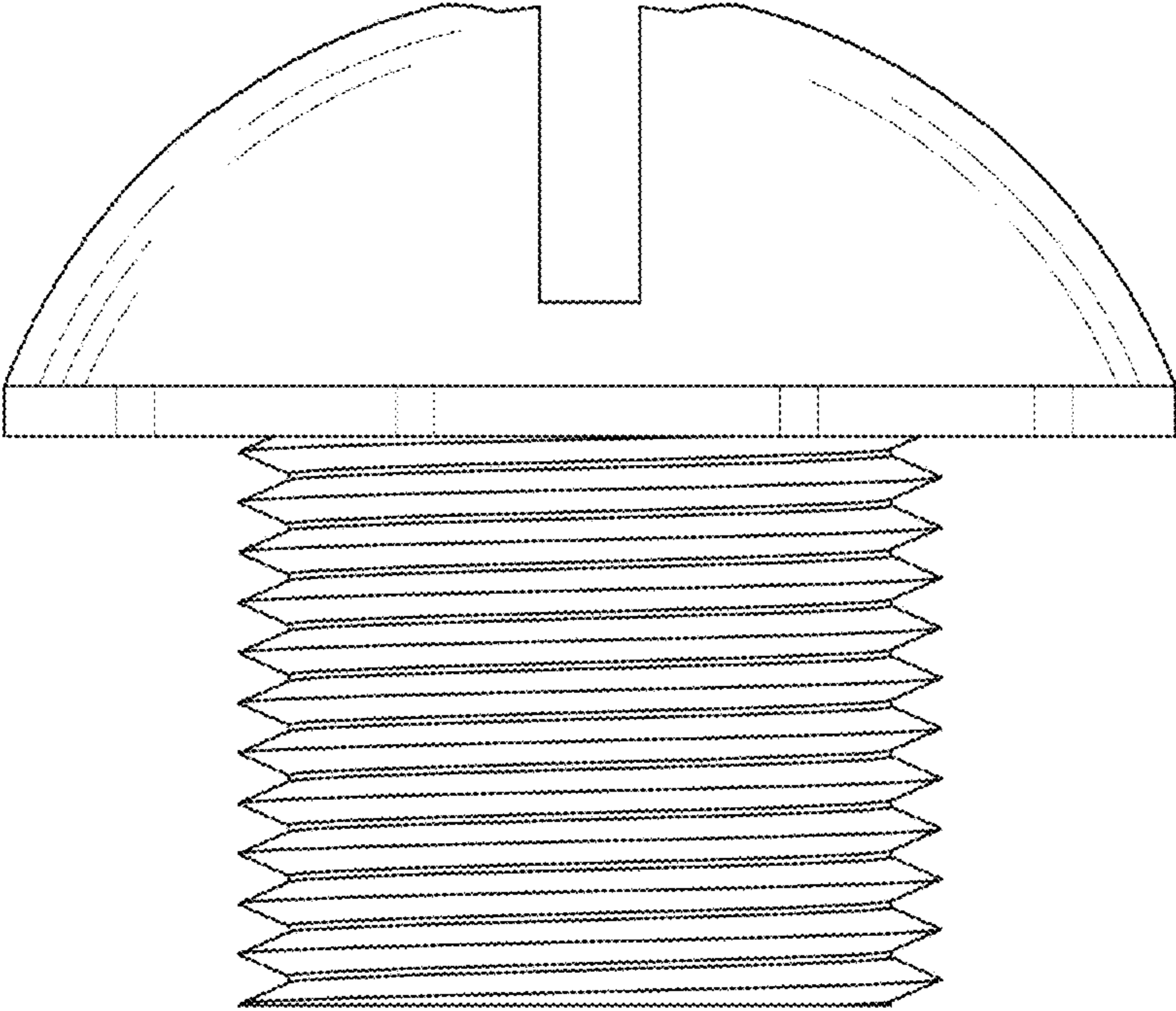


FIG. 3

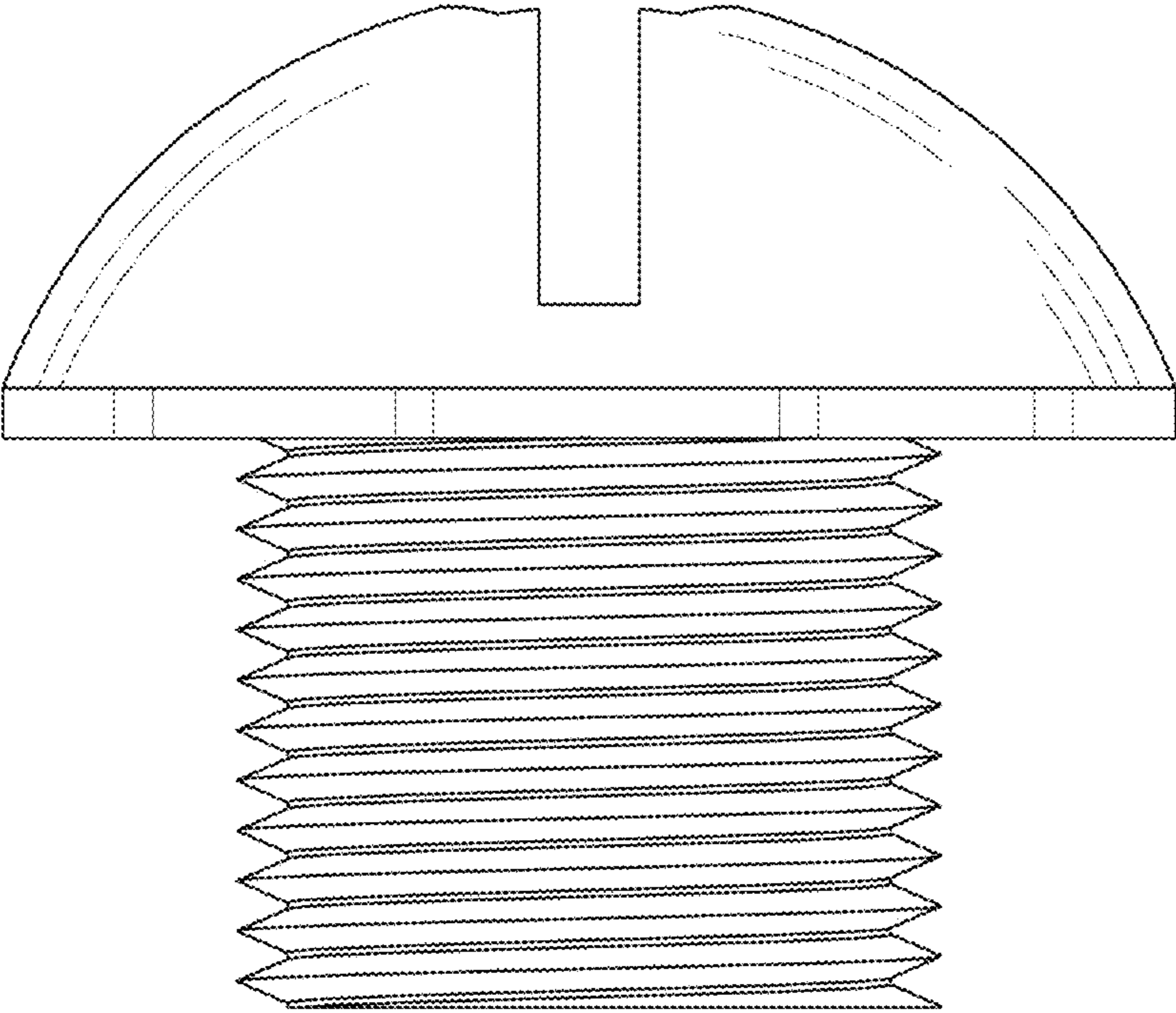


FIG. 4

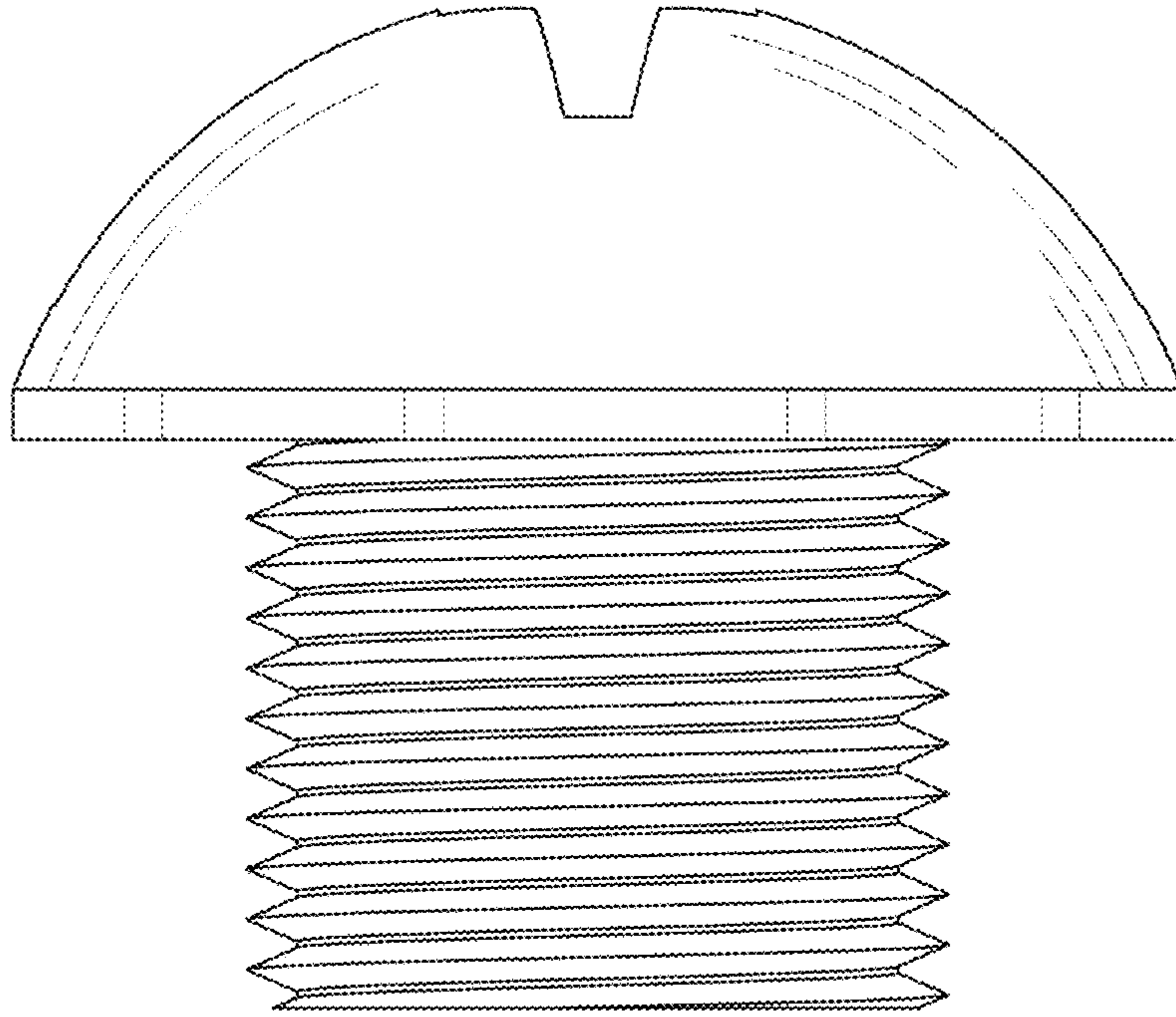


FIG. 5

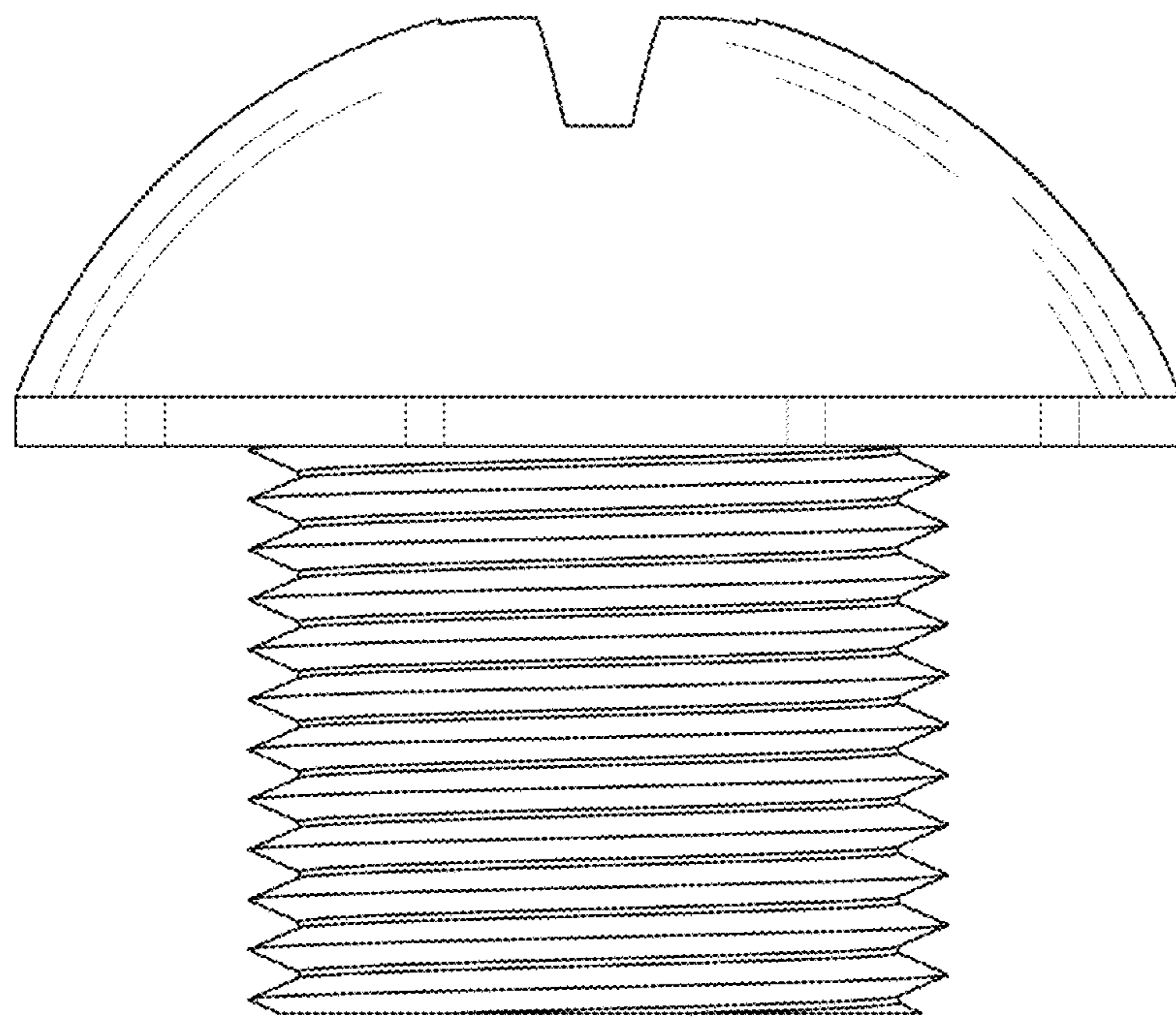


FIG. 6

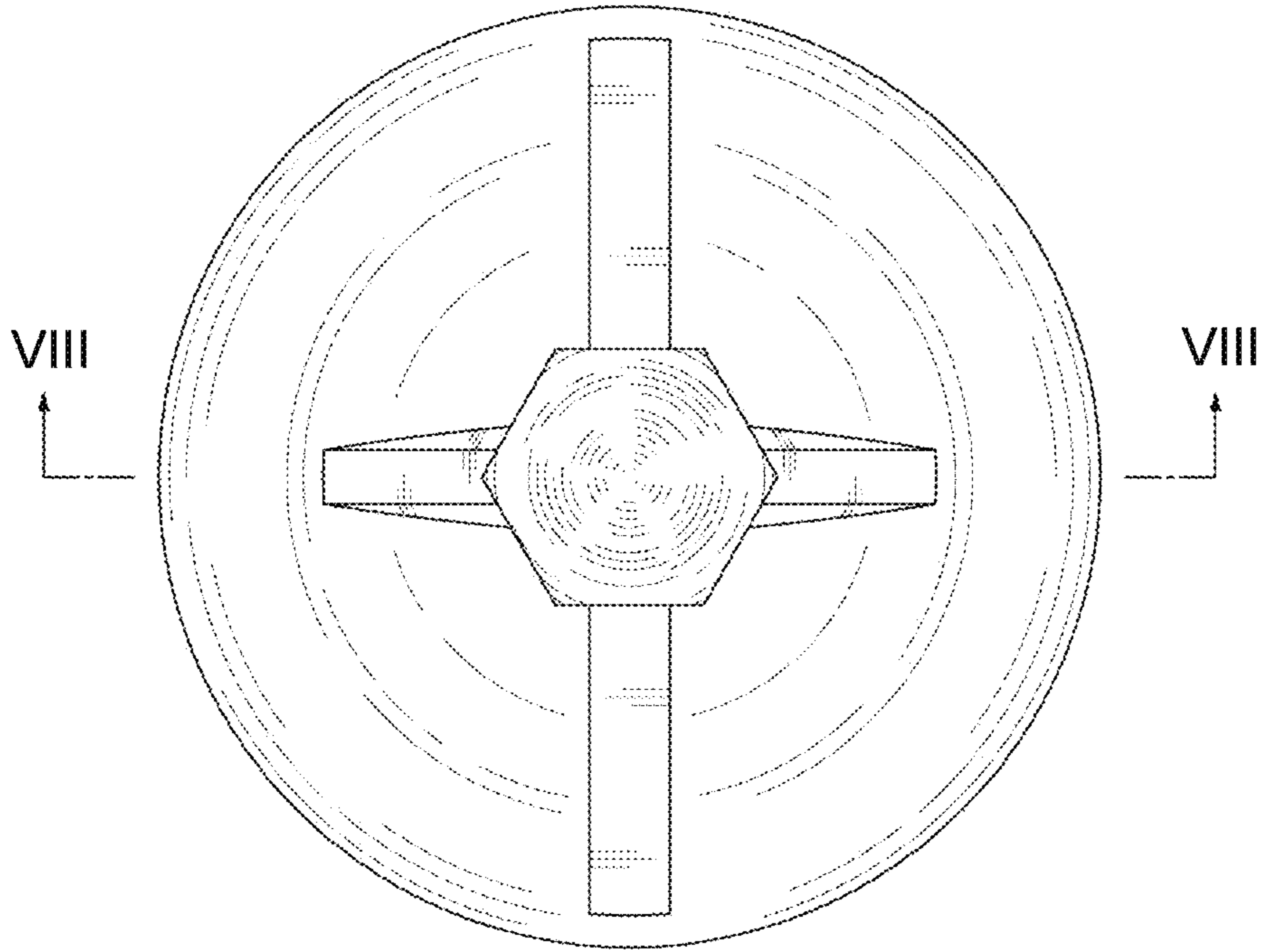


FIG. 7

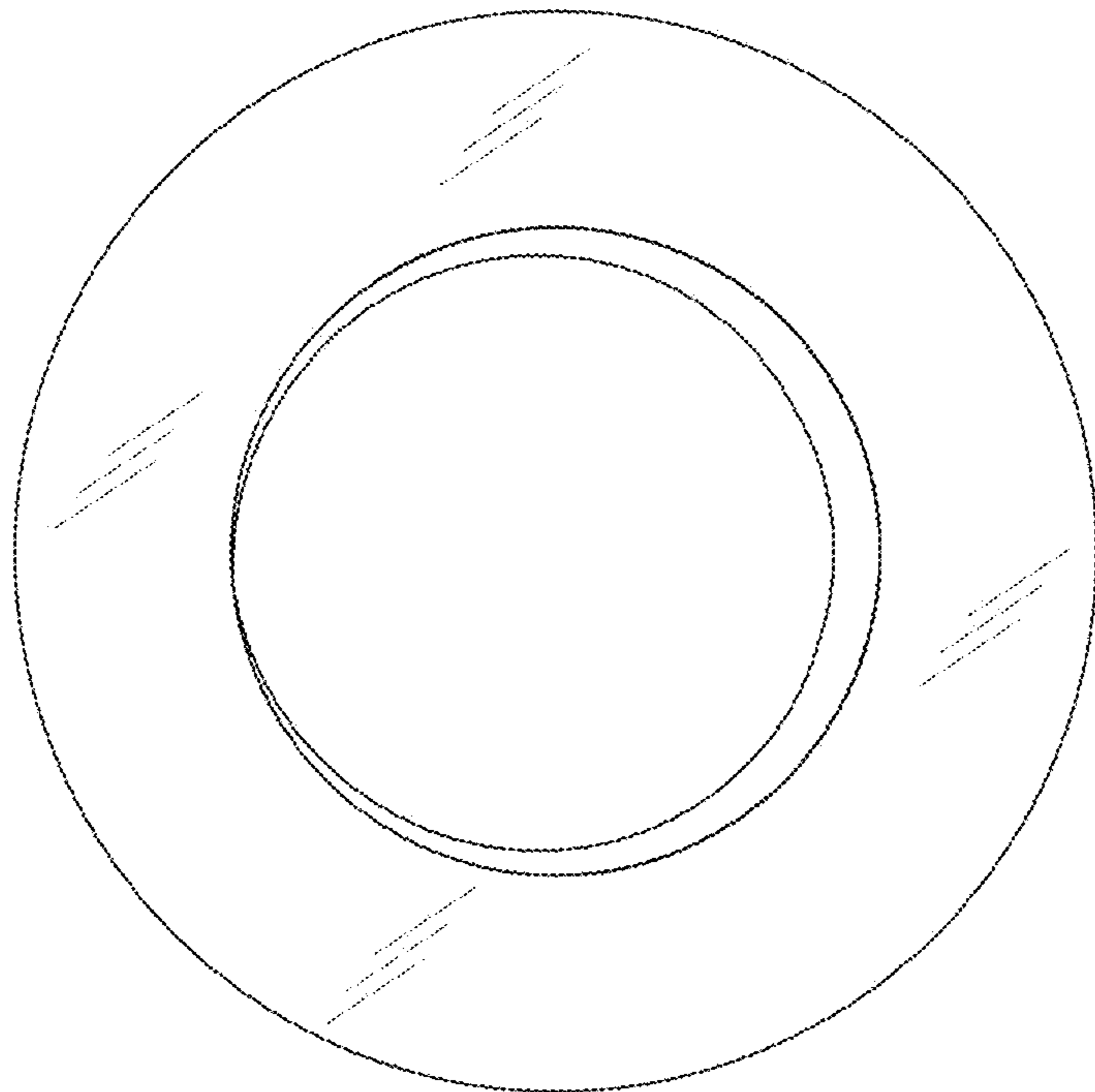


FIG. 8

