



US00D980706S

(12) **United States Design Patent** (10) **Patent No.:** **US D980,706 S**
Wang (45) **Date of Patent:** **** Mar. 14, 2023**

(54) **FASTENER** 5,779,422 A * 7/1998 Petignat F16B 39/28
411/553
(71) Applicant: **Ting-Jui Wang**, New Taipei (TW) 6,733,221 B2 * 5/2004 Linger F16B 37/045
411/84
(72) Inventor: **Ting-Jui Wang**, New Taipei (TW) 8,388,291 B2 * 3/2013 Rogers F16B 21/02
24/453
(**) Term: **15 Years** D802,408 S * 11/2017 Wang D8/382
10,766,323 B2 * 9/2020 Brown, Sr. B60D 1/60
D898,653 S * 10/2020 Wells D8/382
(21) Appl. No.: **29/821,110** D902,120 S * 11/2020 Wells D8/382
10,933,817 B2 * 3/2021 Leverger B60J 5/0486
(22) Filed: **Dec. 28, 2021** (Continued)

Related U.S. Application Data

(63) Continuation-in-part of application No. 29/744,197,
filed on Jul. 28, 2020, now abandoned.
(51) **LOC (14) Cl.** **08-08**
(52) **U.S. Cl.**
USPC **D8/382**
(58) **Field of Classification Search**
USPC D8/300, 307, 310, 321, 354, 382, 387,
D8/395, 499; D11/79
CPC F16B 41/002; F16B 5/0208; F16B 39/28;
F16B 2012/103; F16B 12/36; F16B
12/24; F16B 12/10; Y10S 411/97; Y10S
411/999
See application file for complete search history.

FOREIGN PATENT DOCUMENTS

CN 301334756 * 9/2010
CN 301334757 * 9/2010
(Continued)

Primary Examiner — Sheryl Lane
Assistant Examiner — Ieisha N Price

(57) **CLAIM**

The ornamental design for a fastener, as shown and described.

DESCRIPTION

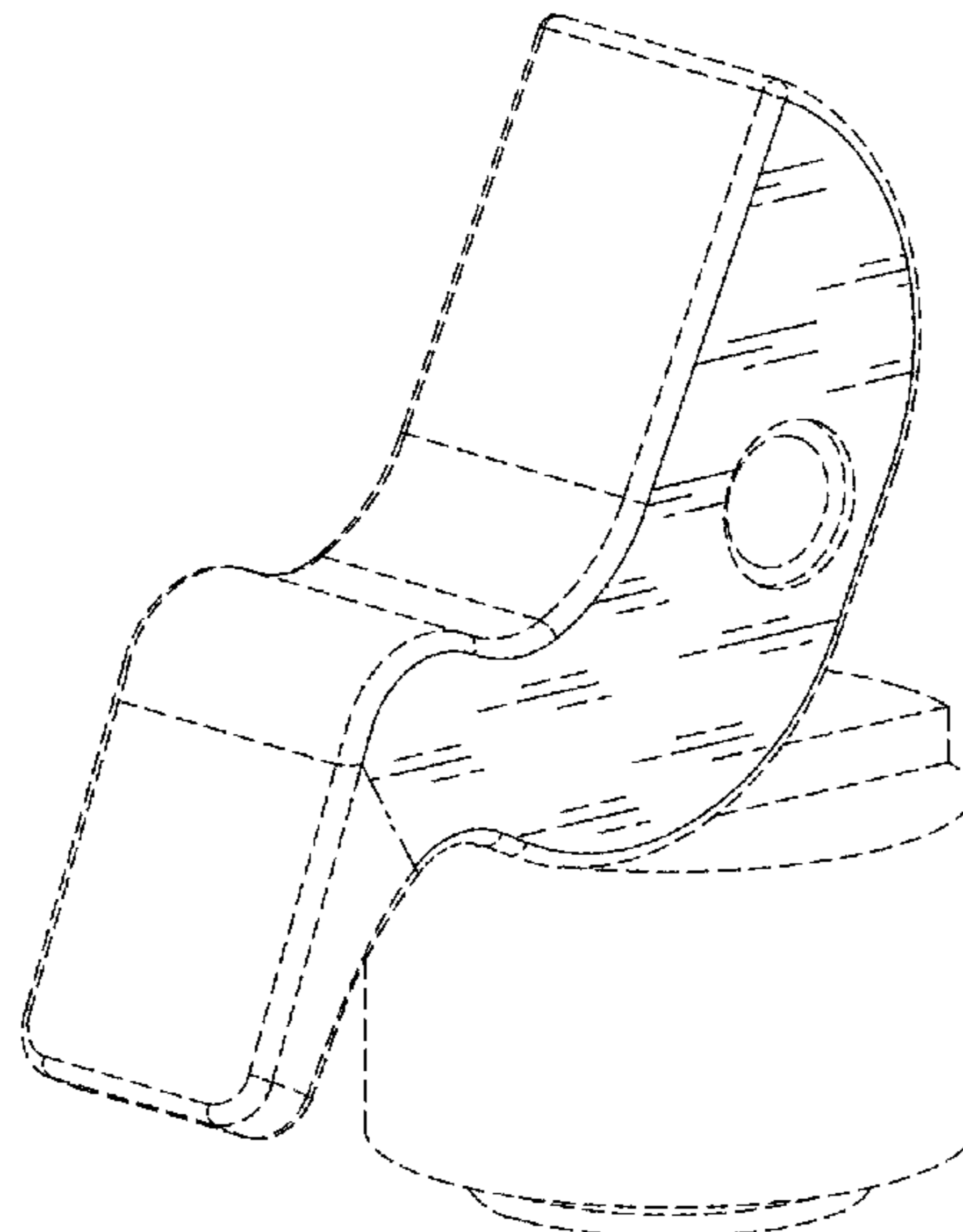
FIG. 1 is a perspective view of a fastener showing my new design;
FIG. 2 is a front elevation view thereof;
FIG. 3 is a rear elevation view thereof;
FIG. 4 is a left side elevation view thereof;
FIG. 5 is a right side elevation view thereof;
FIG. 6 is a top plan view thereof;
FIG. 7 is a bottom plan view thereof; and,
FIG. 8 is another perspective view of FIG. 1.
The broken lines within the drawings illustrate portions of the claimed design and form no part of the claimed design. The dot-dot-dash broken lines within the drawings define the bounds of the claimed design and form no part of the claimed design.

1 Claim, 8 Drawing Sheets

(56) **References Cited**

U.S. PATENT DOCUMENTS

3,019,865 A * 2/1962 Rohe F16B 5/01
428/116
3,339,609 A * 9/1967 Cushman B64C 1/12
264/261
5,199,836 A * 4/1993 Gogarty F16B 37/045
411/84
5,378,099 A * 1/1995 Gauron F16B 5/01
411/258
5,632,582 A * 5/1997 Gauron F16B 5/01
411/258
D391,844 S * 3/1998 Ropponen D8/382
D392,179 S * 3/1998 Ropponen D8/387



(56)

References Cited

U.S. PATENT DOCUMENTS

D917,273 S * 4/2021 Ilin D8/397
 11,098,839 B2 * 8/2021 Wang F16B 37/042
 11,116,101 B2 * 9/2021 Fan F16M 13/02
 D938,266 S * 12/2021 Jones D8/382
 D948,316 S * 4/2022 Livingston, Jr. B25H 1/04
 2005/0129461 A1 * 6/2005 Bruno F16B 5/0208
 2008/0292425 A1 * 11/2008 Pineiros F16B 37/044
 2010/0132178 A1 * 6/2010 Chiu F16B 5/0208
 2012/0170993 A1 * 7/2012 Chiu F16B 5/0208
 2012/0195711 A1 * 8/2012 Chiu F16B 5/0266
 2013/0056192 A1 * 3/2013 Lee F16B 41/002
 2013/0326860 A1 * 12/2013 Endt B21K 1/701

2014/0064873 A1 * 3/2014 Kevin F16B 37/048
 2014/0205368 A1 * 7/2014 Kramer F16B 5/01
 2015/0071730 A1 * 3/2015 Tseng F16B 5/0208
 2015/0260216 A1 * 9/2015 Tseng F16B 39/02
 2018/0038399 A1 * 2/2018 Fischer F16B 37/042
 2018/0231037 A1 * 8/2018 Wu F16B 5/0208
 2021/0003153 A1 * 1/2021 Wang F16B 21/02
 2021/0396254 A1 * 12/2021 Arteta Unanua F16B 5/0635

FOREIGN PATENT DOCUMENTS

CN 301866108 * 3/2012
 CN 303735662 * 7/2016
 CN 305079646 * 3/2019
 CN 306808276 * 9/2021
 KR 300490415.0000 * 5/2008
 KR 300682011.0000 * 2/2013

* cited by examiner

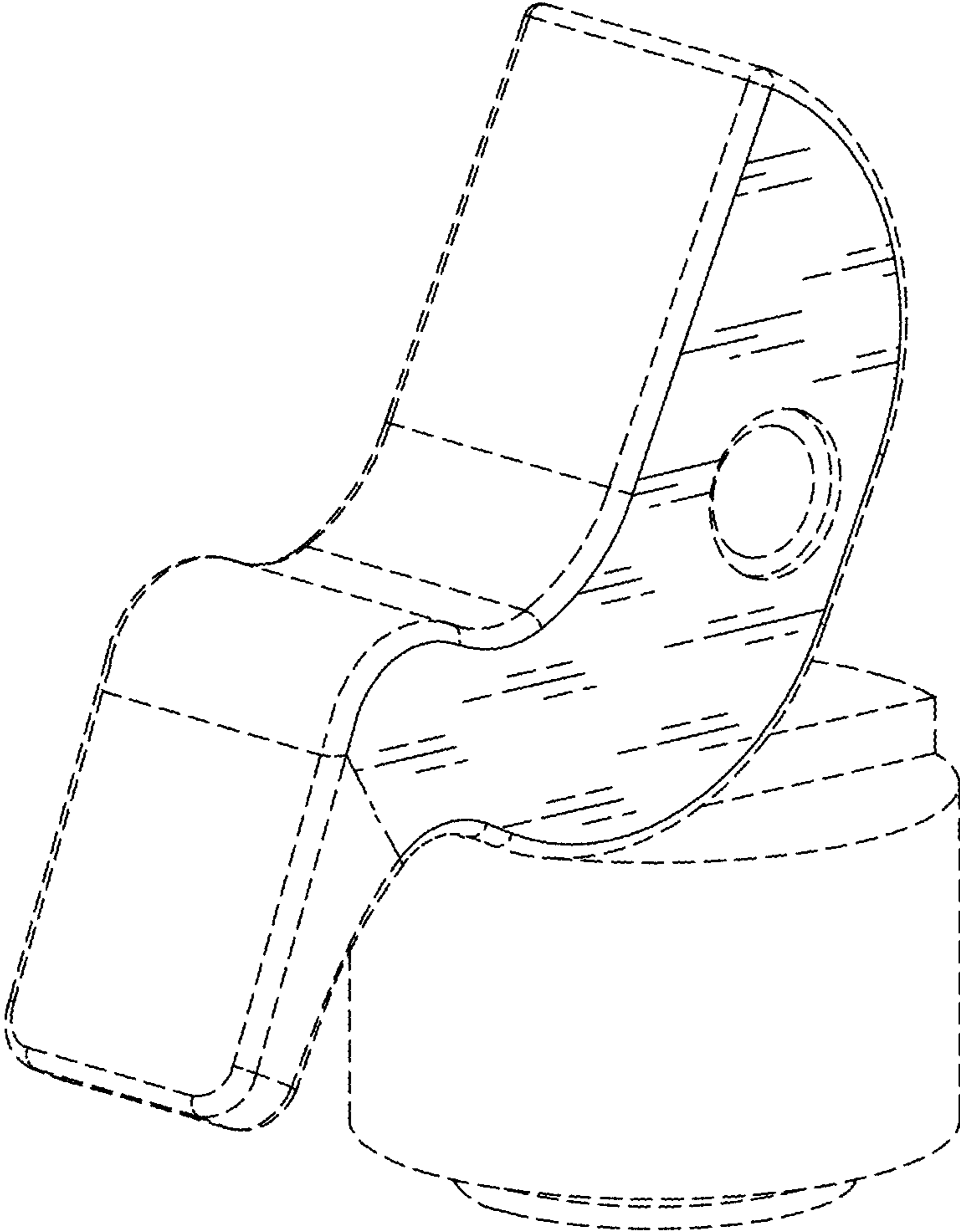


FIG. 1

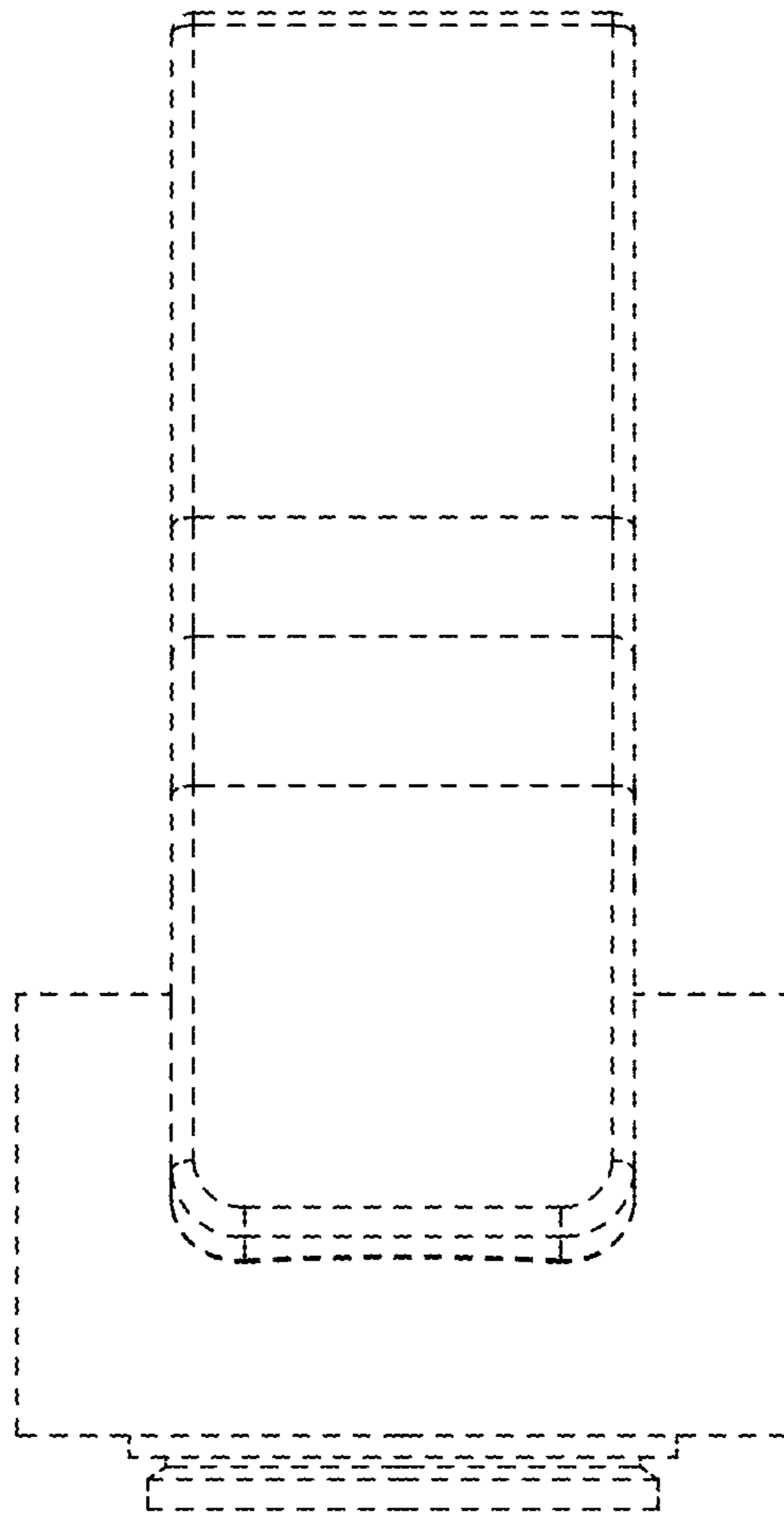


FIG. 2

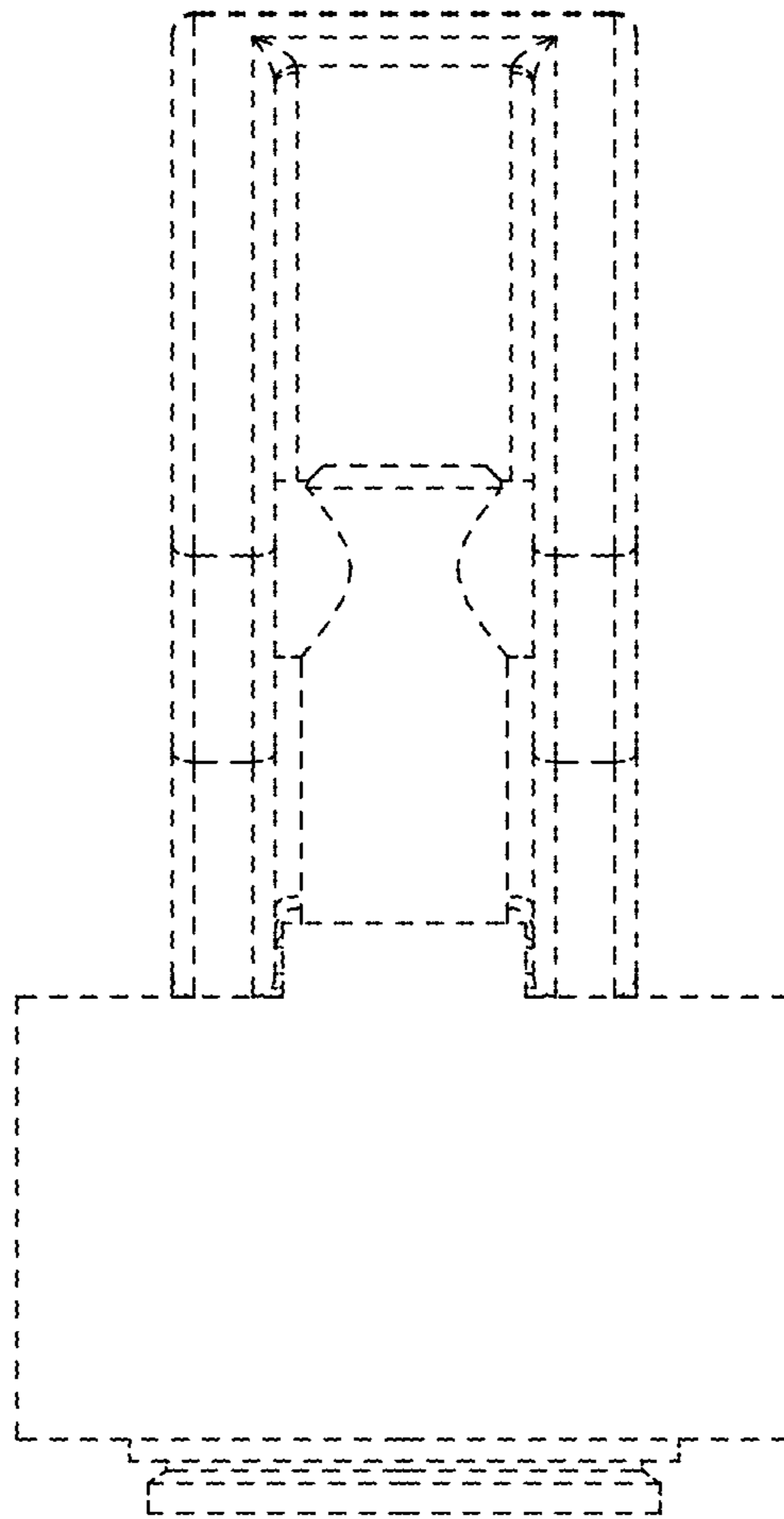


FIG. 3

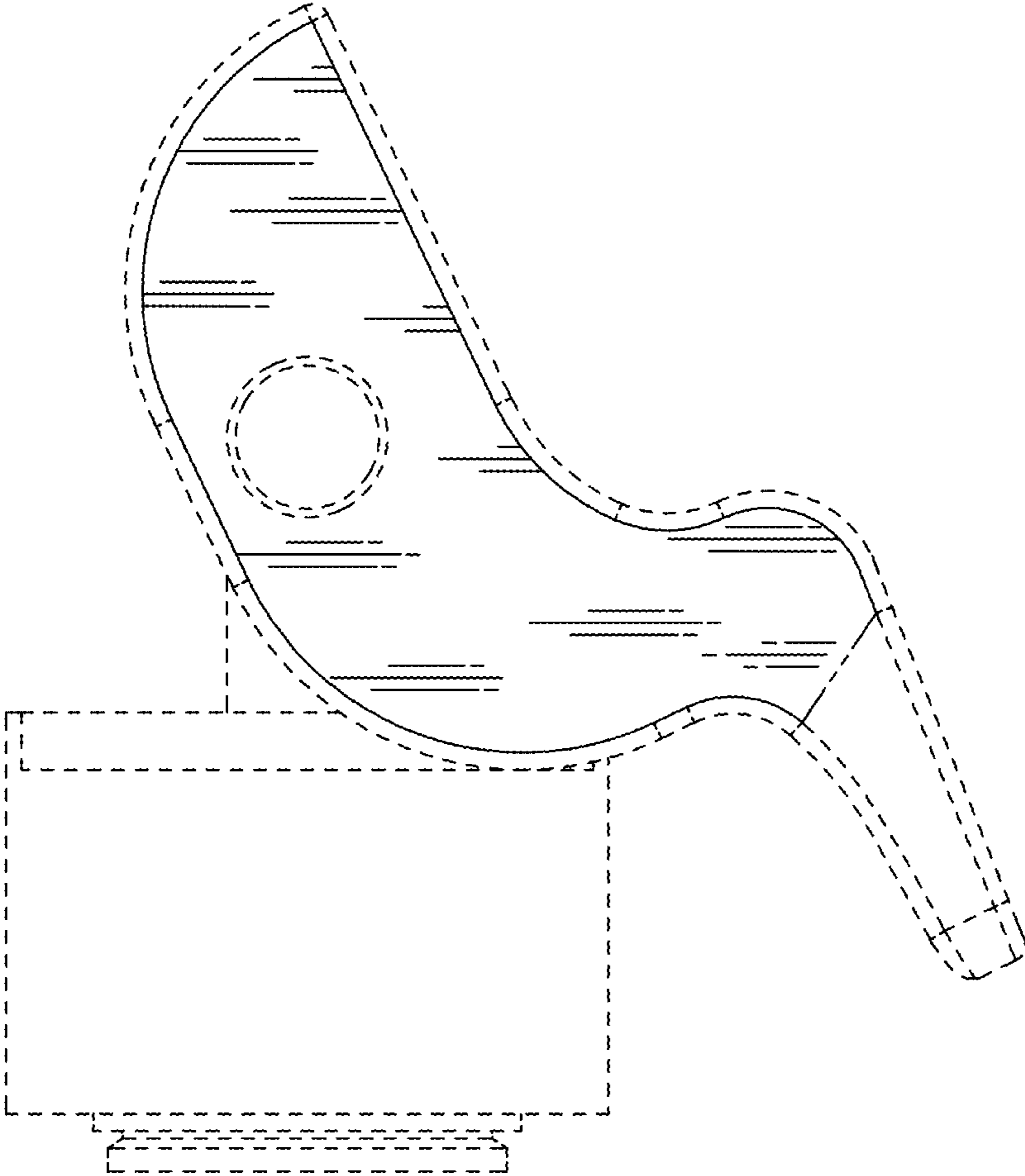


FIG. 4

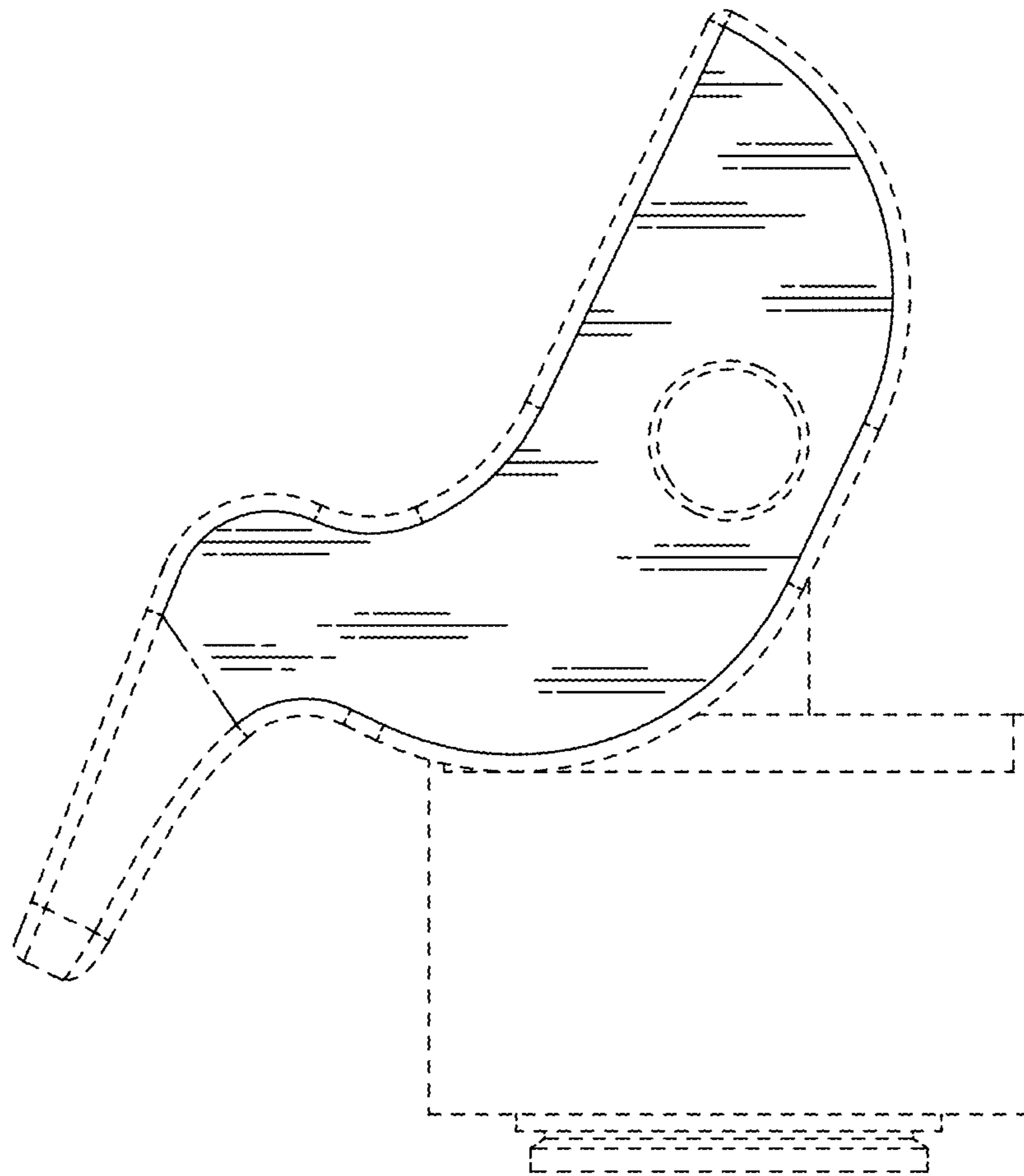


FIG. 5

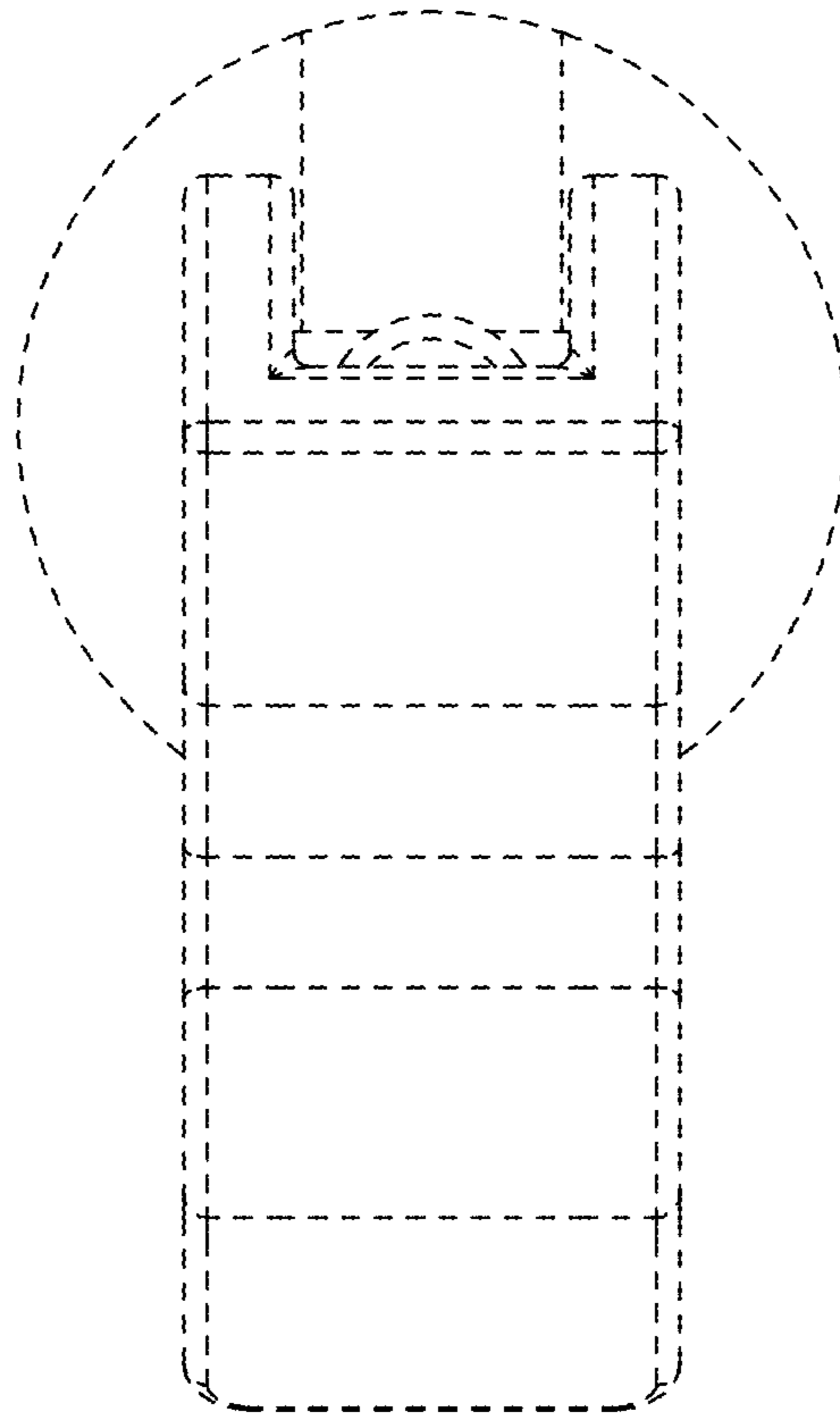


FIG. 6

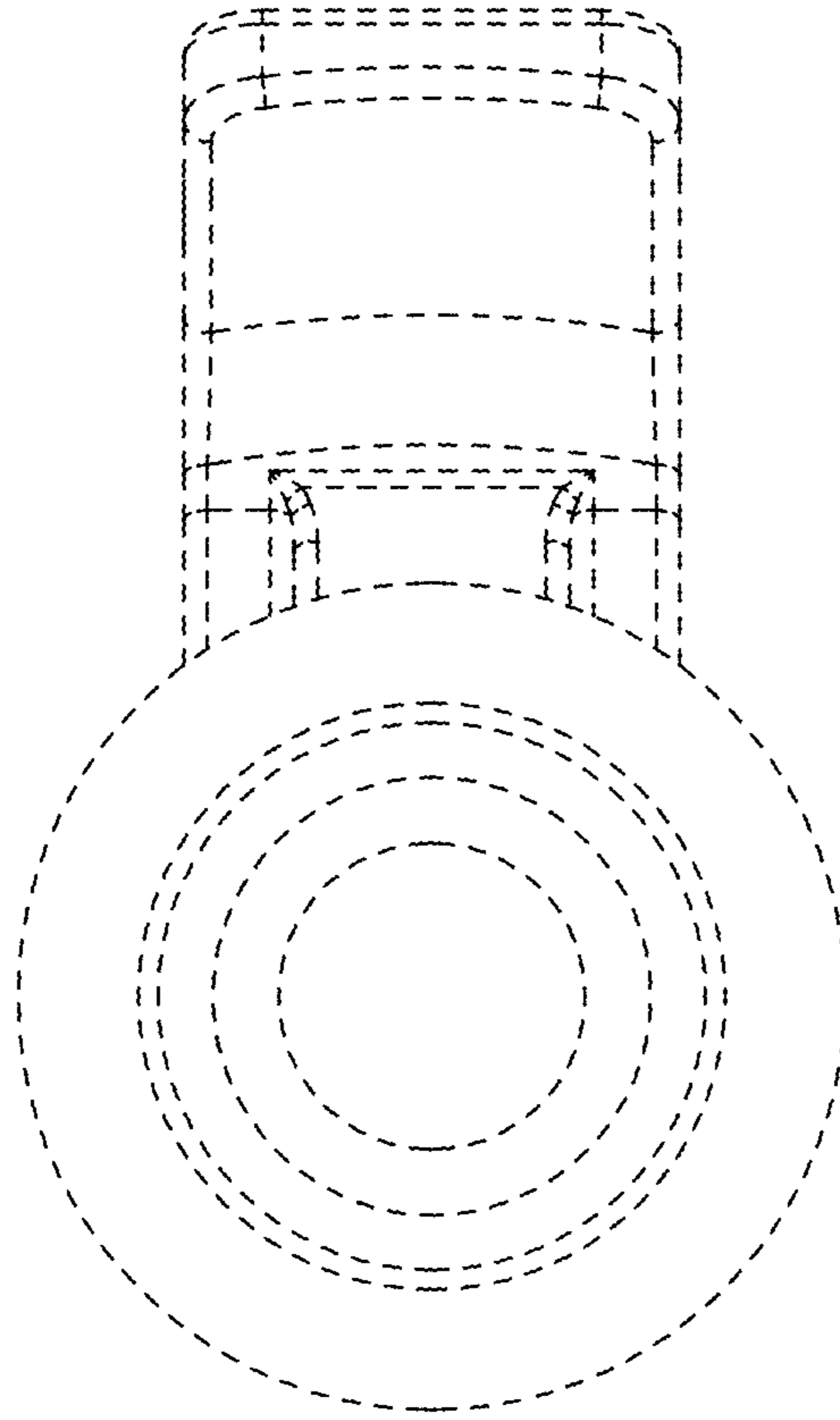


FIG. 7

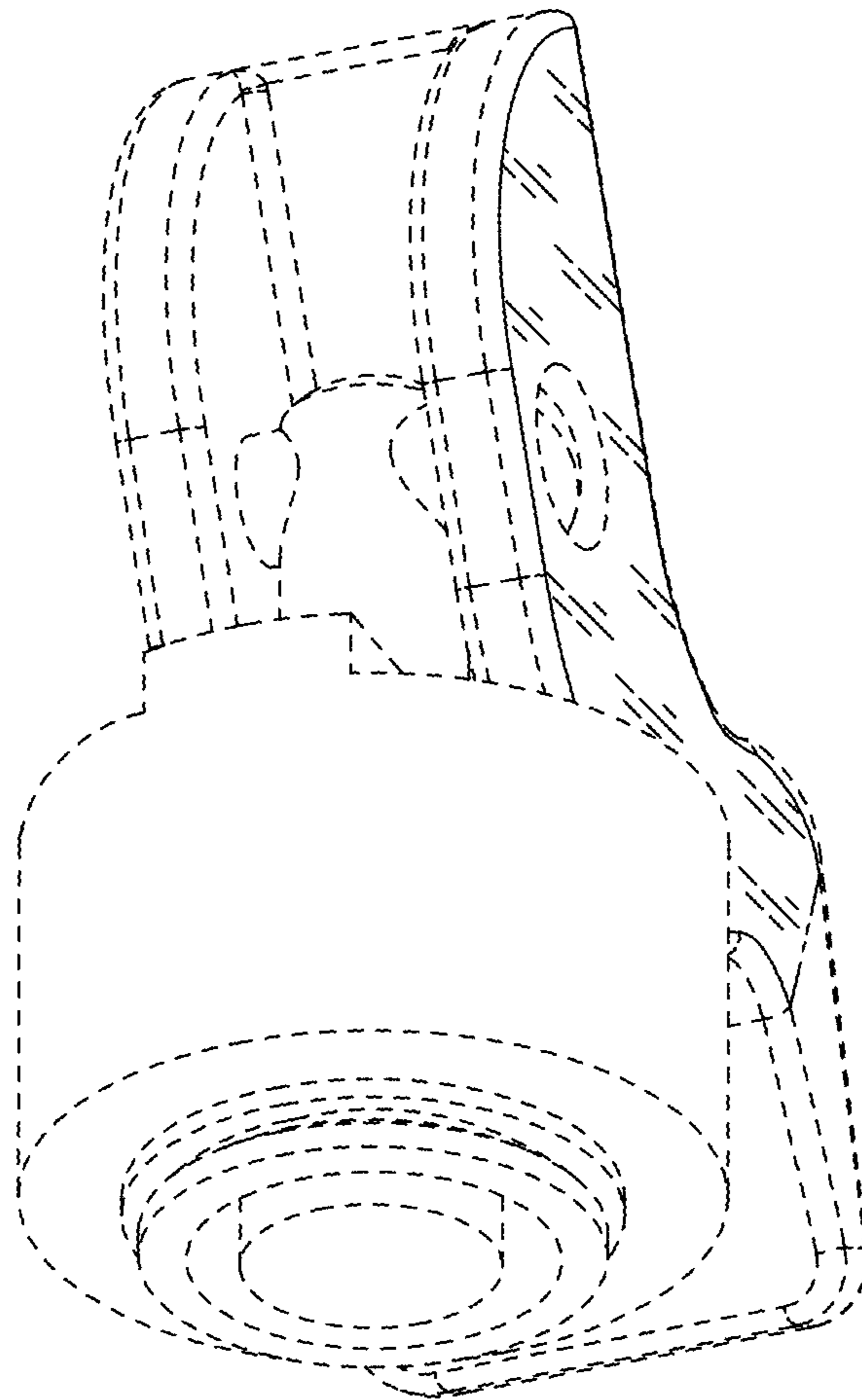


FIG. 8