



US00D980705S

(12) **United States Design Patent**  
**Worona**

(10) **Patent No.:** **US D980,705 S**

(45) **Date of Patent:** **\*\* Mar. 14, 2023**

(54) **BALUSTER CONNECTOR**

(71) Applicant: **Decorex Hardware Inc.**, Woodbridge (CA)

(72) Inventor: **Mirosław Worona**, Woodbridge (CA)

(\*\*) Term: **15 Years**

(21) Appl. No.: **29/789,394**

(22) Filed: **Sep. 21, 2021**

(51) **LOC (14) Cl.** ..... **08-08**

(52) **U.S. Cl.**  
USPC ..... **D8/382**

(58) **Field of Classification Search**  
USPC ..... D8/382, 349, 354, 355, 363, 374;  
D23/264, 259, 262  
CPC ..... E04F 11/1817; E04F 2011/1819; E04F  
2011/1823; E04F 2011/1831; E04F  
11/1834; E04F 2011/1821; E04F  
2011/1827; E04F 11/1846; E04F 11/1836;  
E04F 11/1812; E04F 11/1865; E04H  
17/1417; E04H 17/1448; E04H 17/1447  
See application file for complete search history.

(56) **References Cited**

**U.S. PATENT DOCUMENTS**

- 6,015,139 A \* 1/2000 Weber ..... E04H 12/2261  
52/298
- D421,708 S \* 3/2000 Kuhnke ..... D8/349
- D436,843 S \* 1/2001 Mudryk ..... D8/382
- 6,688,046 B2 \* 2/2004 Perkins ..... E02D 29/127  
256/65.01
- D504,061 S \* 4/2005 Fisher ..... D8/382
- D553,956 S \* 10/2007 Jones ..... D8/382
- D567,071 S \* 4/2008 Carney ..... D8/382
- D592,765 S \* 5/2009 Jeanveau ..... D25/133
- D706,121 S \* 6/2014 Norton ..... D8/380
- D775,940 S \* 1/2017 Klatka ..... D8/382
- 10,294,674 B2 \* 5/2019 Guo ..... E04H 17/1447
- D854,403 S \* 7/2019 Guo ..... D8/382
- D948,081 S \* 4/2022 Goldberg ..... D25/133

- 2004/0211952 A1\* 10/2004 Barnes ..... E04F 11/1817  
256/60
- 2014/0217347 A1\* 8/2014 Green ..... E04F 11/1812  
256/65.14
- 2016/0145873 A1\* 5/2016 Green ..... E04F 11/1814  
52/832

(Continued)

**FOREIGN PATENT DOCUMENTS**

- CN 307009260 \* 12/2012
- CN 305451631 \* 11/2019

(Continued)

**OTHER PUBLICATIONS**

Baluster Swivel Connectors with Set of Screws, Image upload date: Unknown, Image retrieved on: Nov. 19, 2022 (online), <[https://www.amazon.com/Decorex-Hardware-Baluster-Connectors-Balusters/dp/B09KWGKSK1/ref=cm\\_cr\\_arp\\_d\\_product\\_top?ie=UTF8&th=1](https://www.amazon.com/Decorex-Hardware-Baluster-Connectors-Balusters/dp/B09KWGKSK1/ref=cm_cr_arp_d_product_top?ie=UTF8&th=1)>.\*

(Continued)

*Primary Examiner* — Sheryl Lane  
*Assistant Examiner* — Ieisha N Price

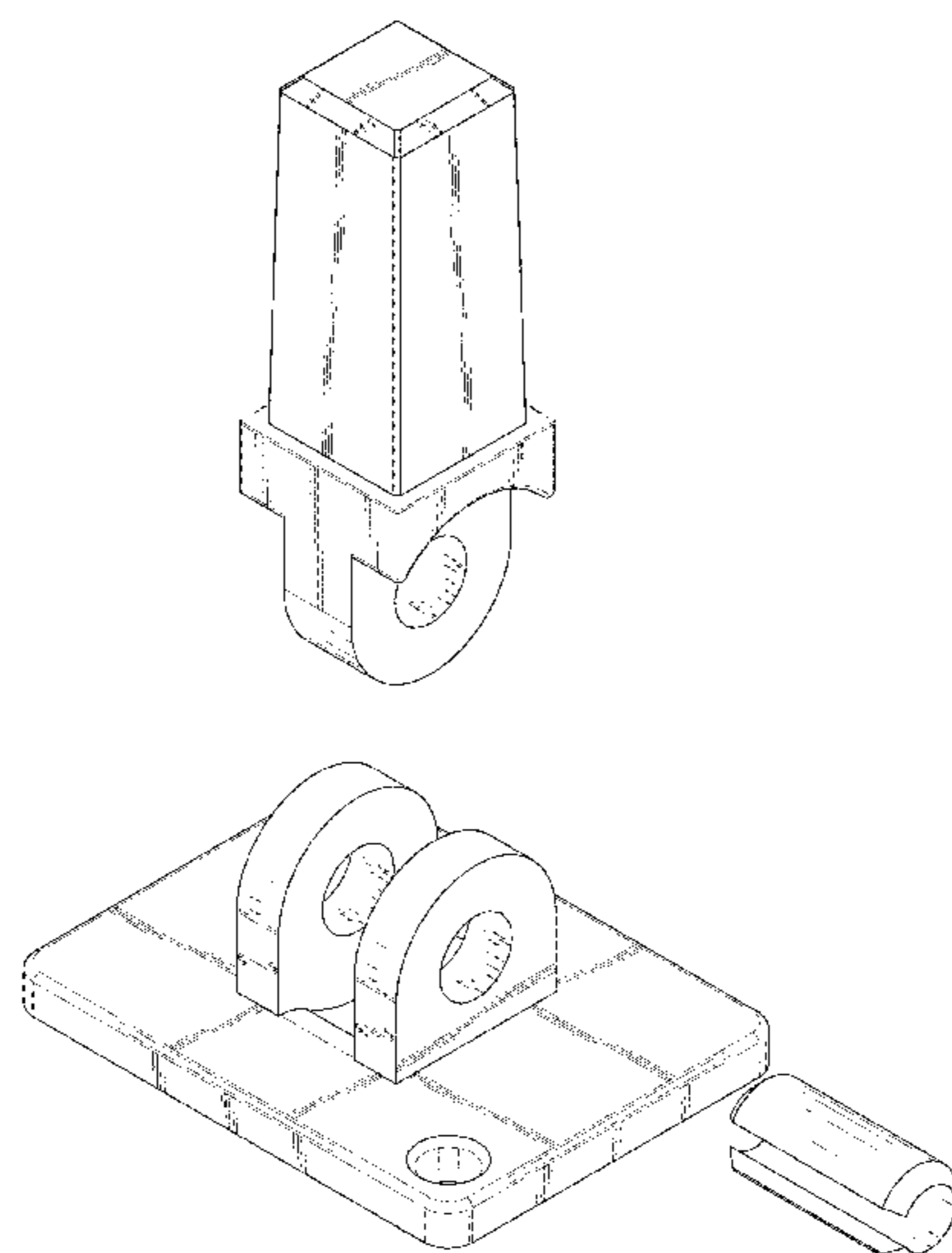
(57) **CLAIM**

I claim the ornamental design for the baluster connector, as shown and described.

**DESCRIPTION**

FIG. 1 is an exploded perspective view of the baluster connector showing my new design;  
FIG. 2 is a collapsed view of the baluster connector of FIG. 1;  
FIG. 3 is a right side view thereof;  
FIG. 4 is a Left side view thereof;  
FIG. 5 is a top view thereof;  
FIG. 6 is a bottom view thereof;  
FIG. 7 is front view thereof; and,  
FIG. 8 is rear view thereof.

**1 Claim, 8 Drawing Sheets**



(56)

**References Cited**

U.S. PATENT DOCUMENTS

2018/0030734 A1\* 2/2018 Guo ..... E04H 17/1417  
2020/0032565 A1\* 1/2020 Culp ..... E04F 11/1836  
2021/0017787 A1\* 1/2021 Budai ..... E04F 11/1817

FOREIGN PATENT DOCUMENTS

CN 306009449 \* 8/2020  
CN 307620828 \* 10/2022  
IN 235431-0001 \* 11/2011  
IN 261648-0001 \* 1/2015  
KR 300648407.0000 \* 6/2012

OTHER PUBLICATIONS

Crosinox Satin Stainless Steel Adjustable Angle Flange, Image upload date: Unknown, Image retrieved on: Nov. 19, 2022 (online), <<https://www.amazon.com/Crosinox-49-533-Stainless-Adjustable-Flange/dp/B00DJUZ22E>>.\*

Iron Bar Bracket, Image upload date: Unknown, Image retrieved on: Nov. 19, 2022 (online), <<http://www.carolinastair.com/ProductsDetail.php?1934>>.\*

\* cited by examiner

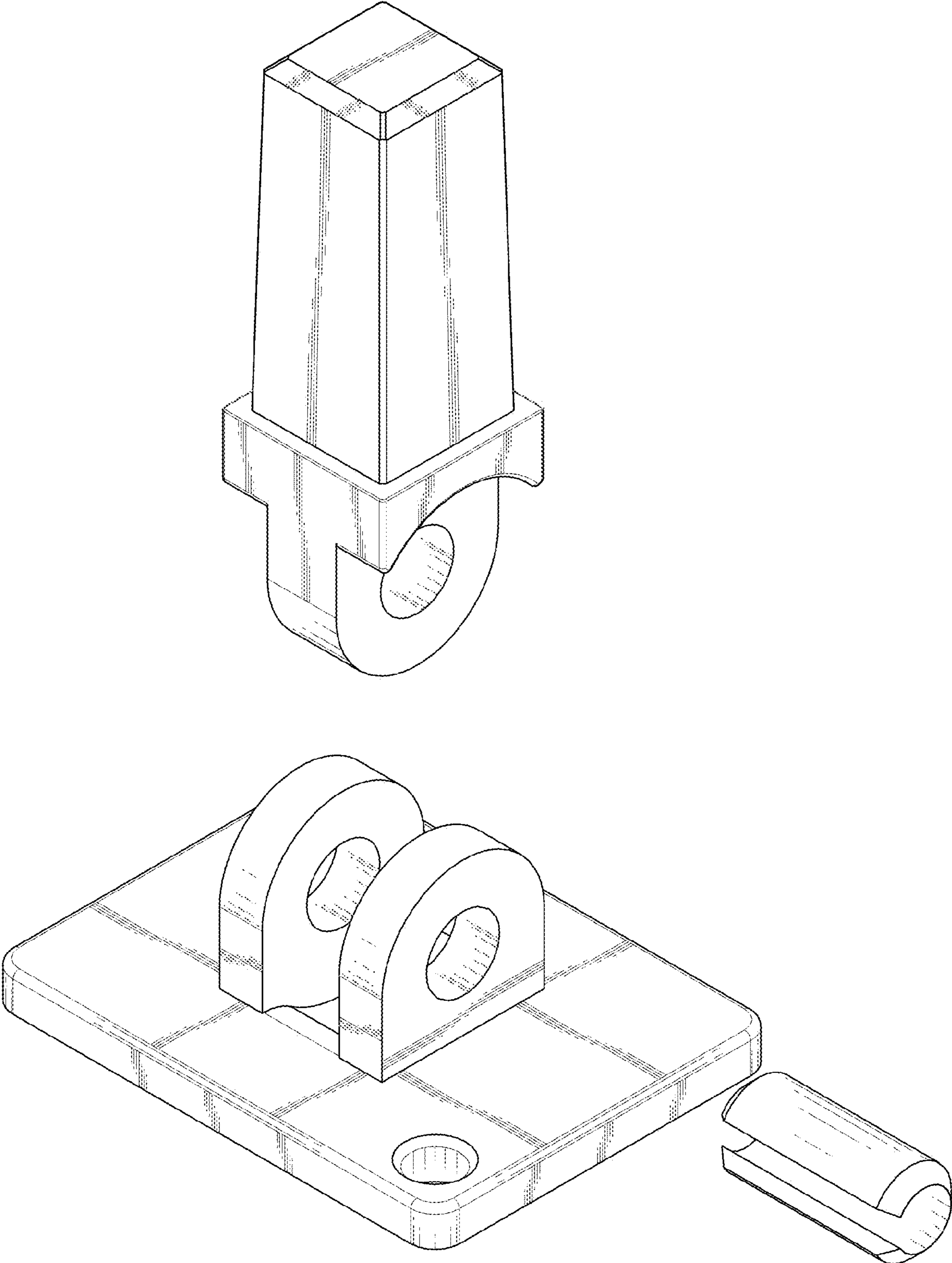


FIG. 1

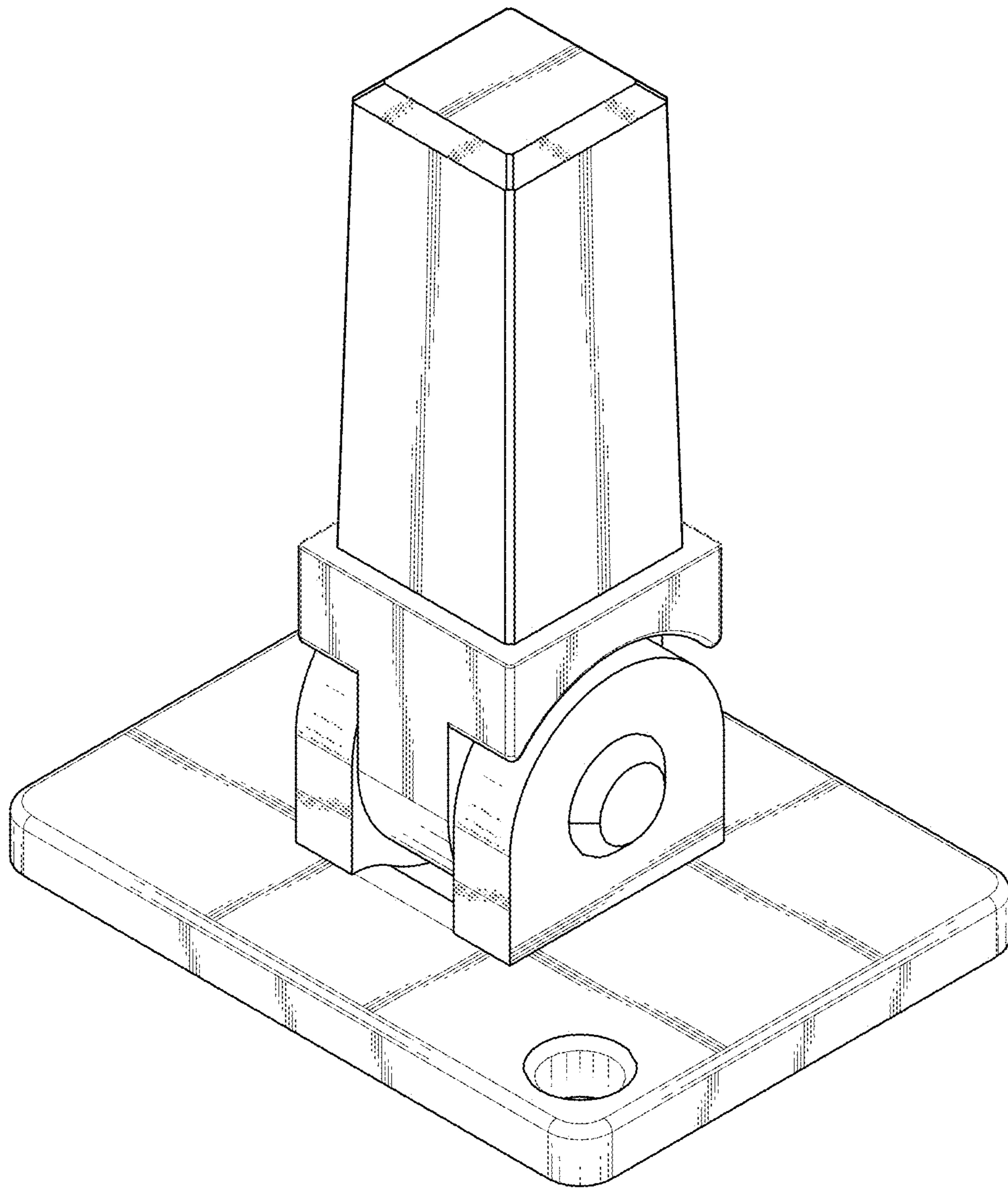


FIG. 2

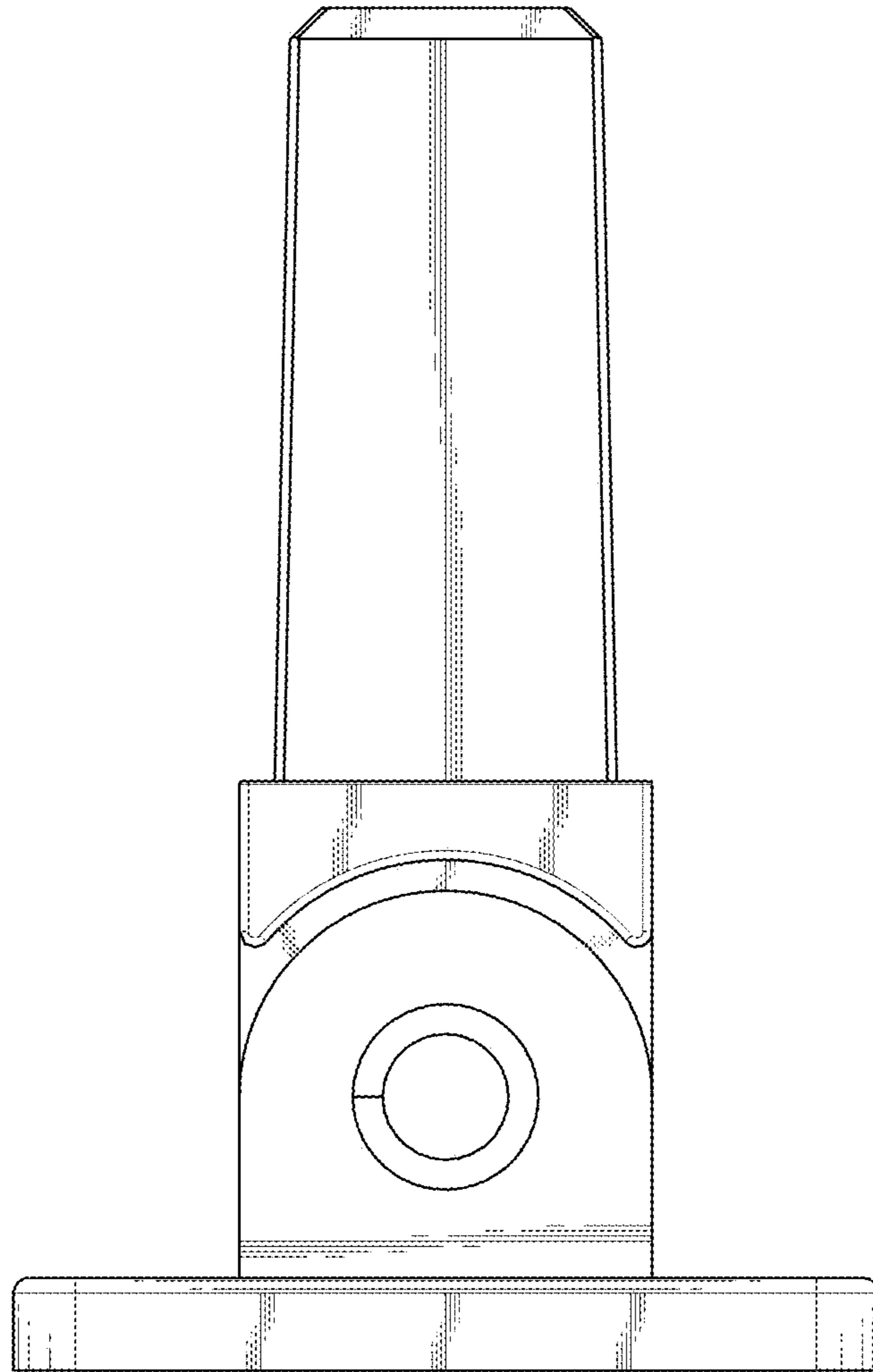


FIG. 3

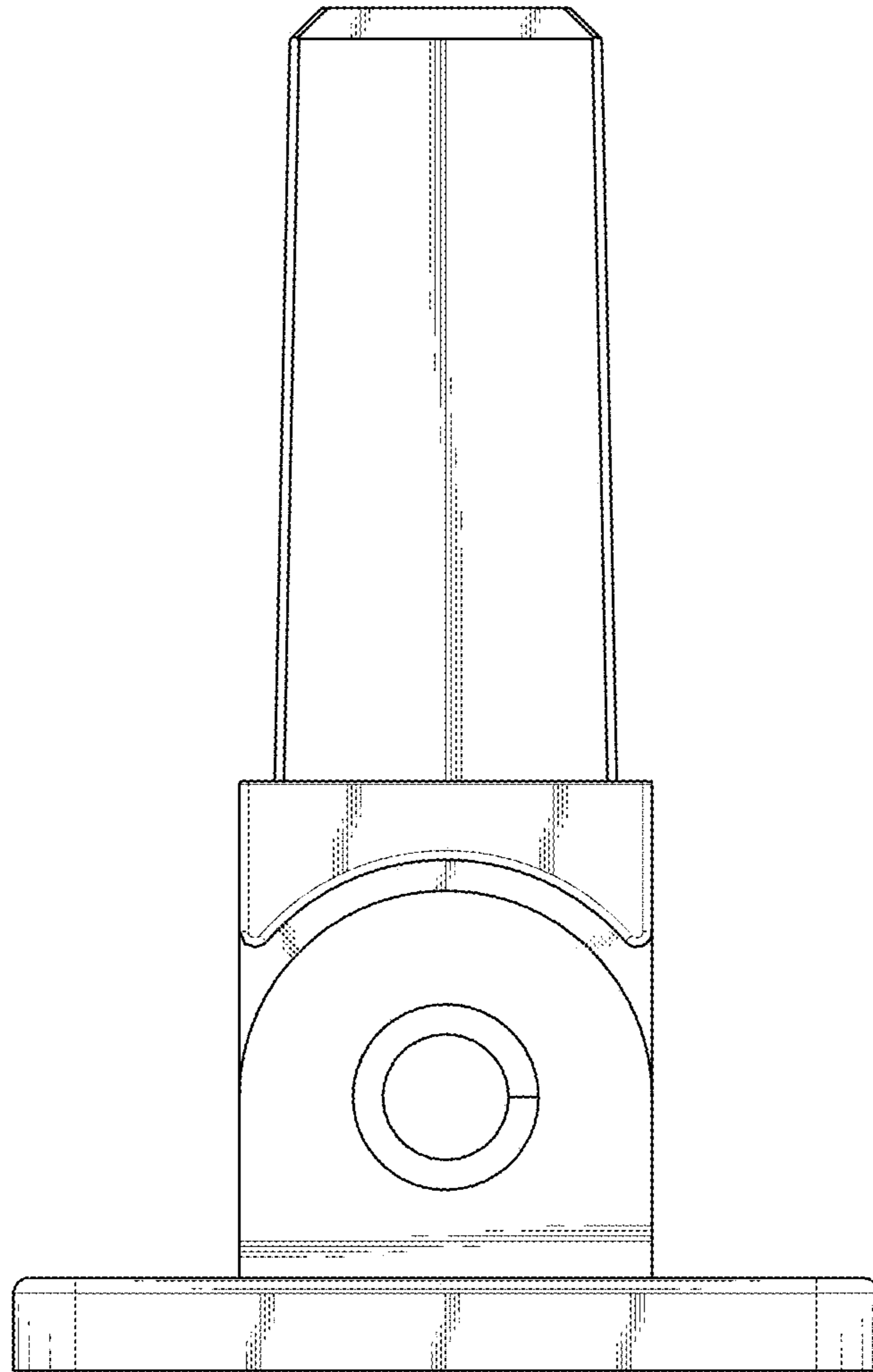


FIG. 4

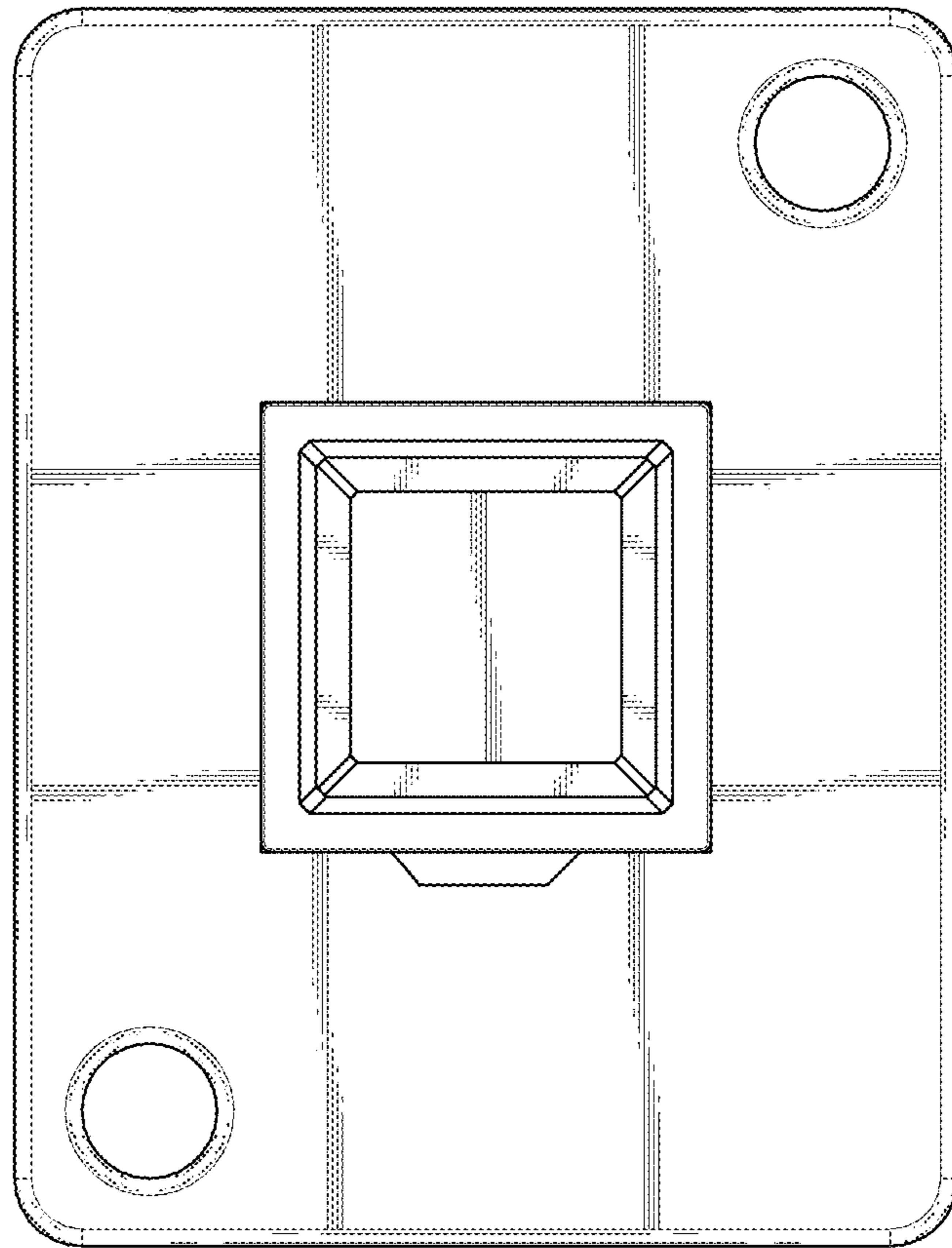


FIG. 5

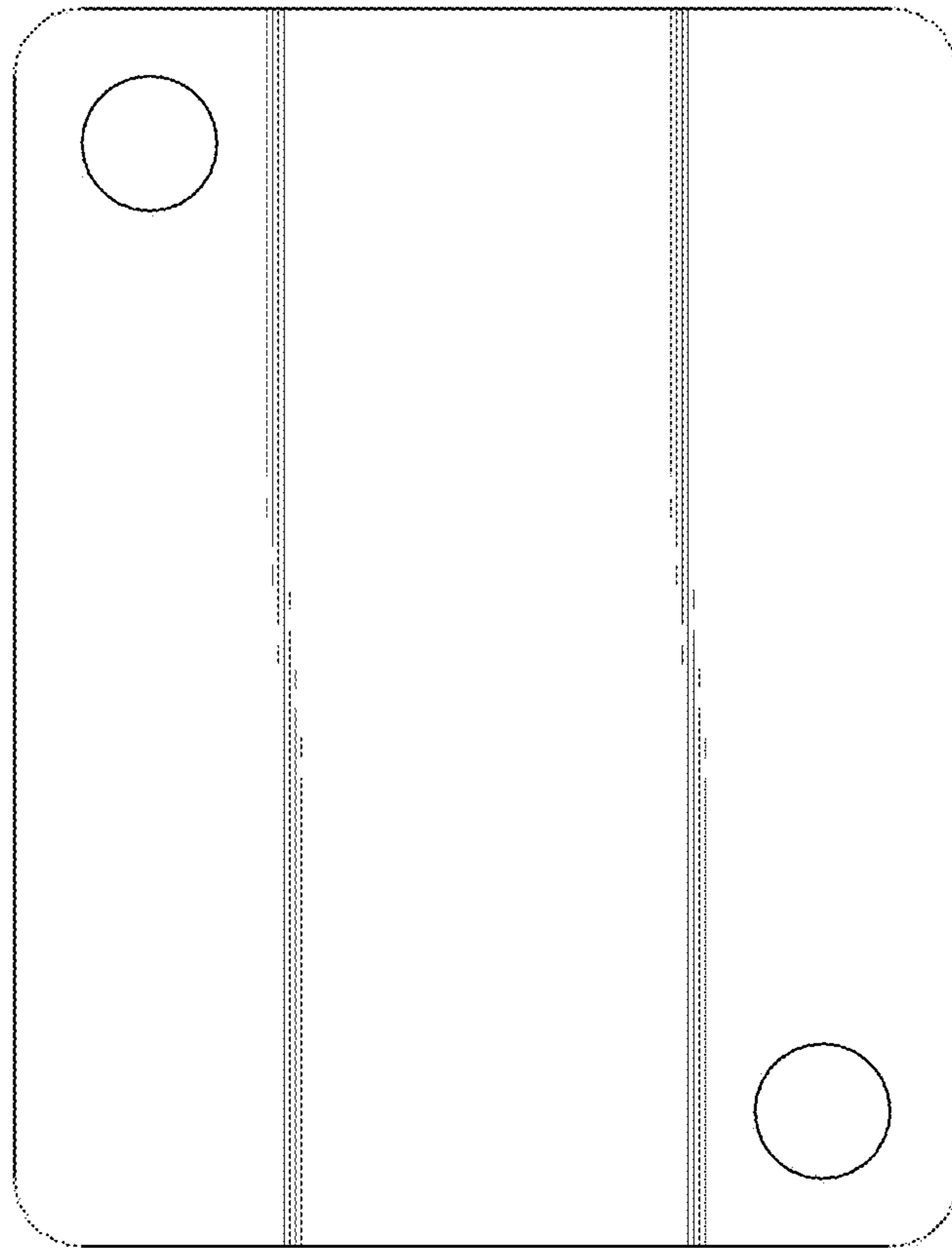


FIG. 6



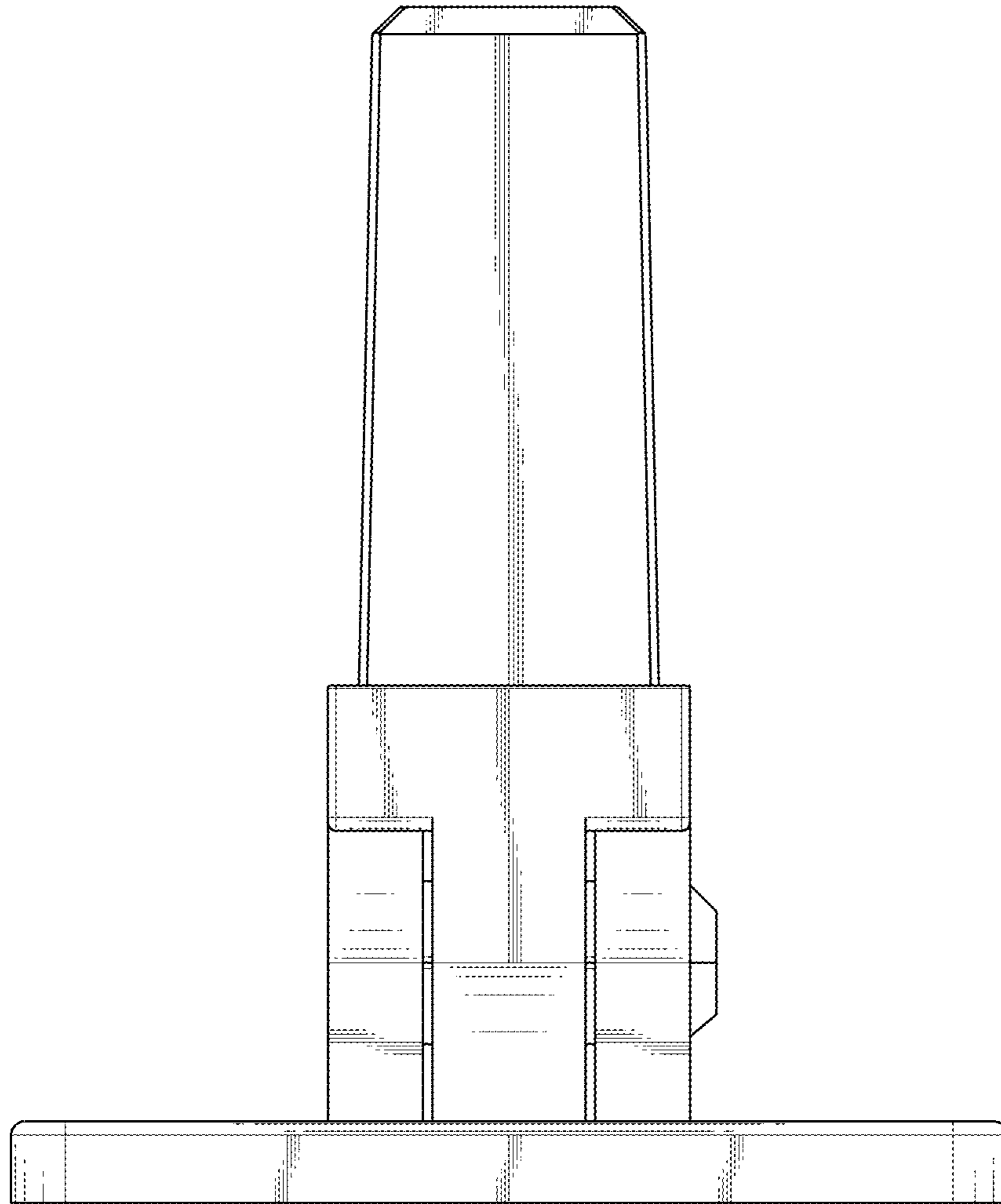


FIG. 7

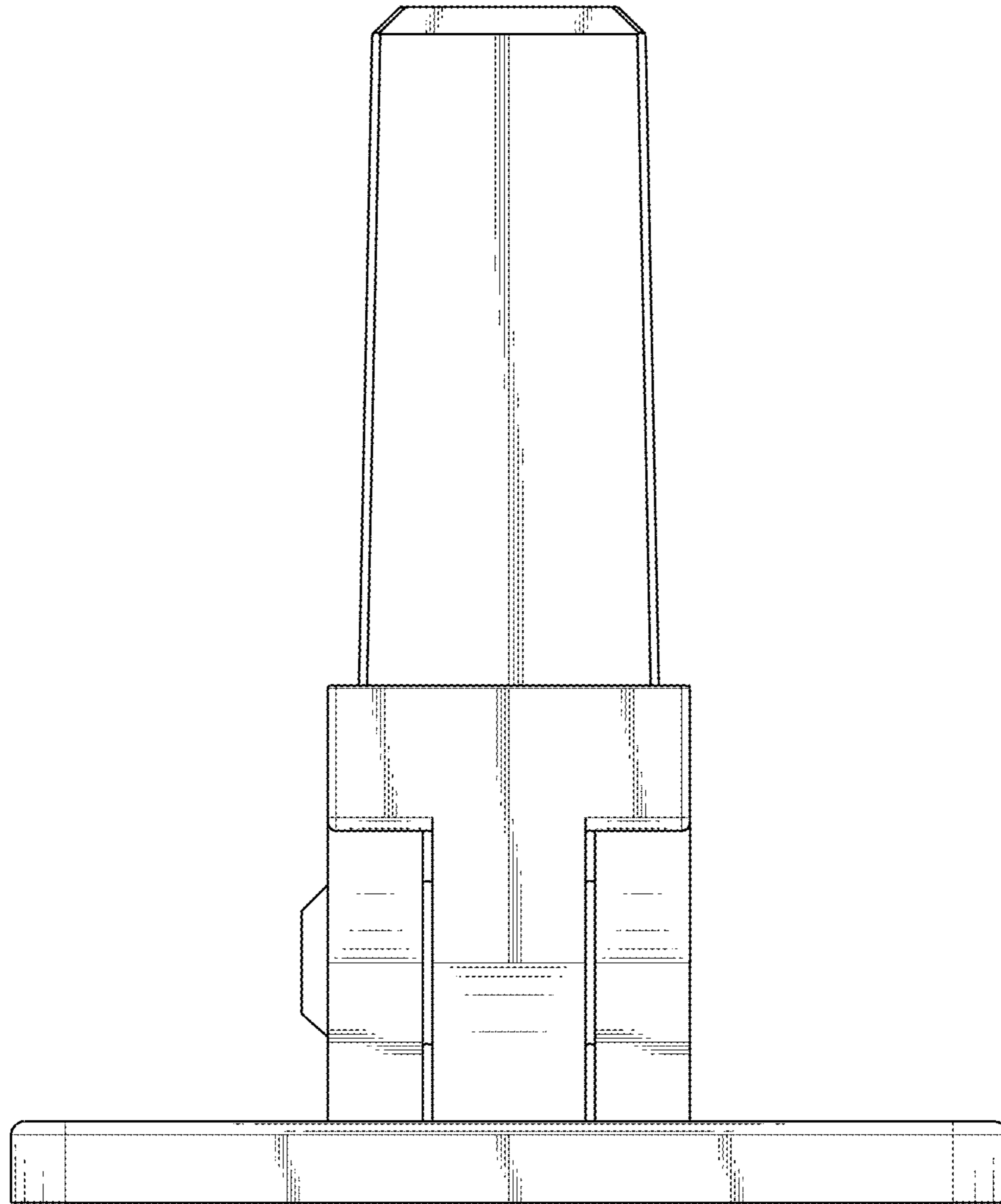


FIG. 8