



US00D980704S

(12) **United States Design Patent**
Montagano

(10) **Patent No.:** **US D980,704 S**
(45) **Date of Patent:** **** Mar. 14, 2023**

(54) **CLIP FOR A MINI-GREENHOUSE**

(71) Applicant: **MONDI PRODUCTS LTD.,**
Vancouver (CA)

(72) Inventor: **Michael Montagano,** Vancouver (CA)

(73) Assignee: **MONDI PRODUCTS LTD.,**
Vancouver (CA)

(**) Term: **15 Years**

(21) Appl. No.: **29/783,315**

(22) Filed: **May 12, 2021**

(51) **LOC (14) Cl.** **08-08**

(52) **U.S. Cl.**
USPC **D8/382; D8/349; D8/394**

(58) **Field of Classification Search**
USPC **D8/349, 394, 395, 382; D28/39;**
D19/32, 65, 86; D21/839, 840;
D11/78.1, 206, 215

(Continued)

(56) **References Cited**

U.S. PATENT DOCUMENTS

D25,237 S * 3/1896 Whitmore D8/395
D26,541 S * 1/1897 Covert D8/395

(Continued)

FOREIGN PATENT DOCUMENTS

CN 304937527 1/2018
TW 394233 6/2000

(Continued)

OTHER PUBLICATIONS

Montagano, M.; Office Action for Taiwan Application No. 11021044110,
filed May 11, 2021, dated Oct. 28, 2021, 11 pgs.

Primary Examiner — Calvin E Vansant
Assistant Examiner — Benjamin Lucas Gray

(74) *Attorney, Agent, or Firm* — Taylor English Duma

(57) **CLAIM**

The ornamental design for a clip for a mini-greenhouse, as shown and described.

DESCRIPTION

FIG. 1 is a top perspective view of an embodiment of a clip for a mini-greenhouse showing my new design.

FIG. 2 is a top plan view of the clip as shown in FIG. 1.

FIG. 3 is a bottom perspective view of the clip as shown in FIG. 1.

FIG. 4 is a bottom plan view of the clip as shown in FIG. 1.

FIG. 5 is a right side elevation view of the clip as shown in FIG. 1.

FIG. 6 is a front end elevation view of the clip as shown in FIG. 1.

FIG. 7 is a rear end elevation view of the clip as shown in FIG. 1.

FIG. 8 is a front perspective view of the clip as shown in FIG. 1 in the environment of a mini-greenhouse and connecting a dome and a propagation tray of the mini-greenhouse in a locking manner according to a first configuration.

FIG. 9 is a front perspective view of the clip as shown in FIG. 1 in the environment of a mini-greenhouse and connecting the dome and the propagation tray of the mini-greenhouse in a locking manner according to a second configuration.

FIG. 10 is a front perspective view of the clip as shown in FIG. 1 in the environment of a mini-greenhouse and connecting the dome and the propagation tray of the mini-greenhouse in a locking manner according to a third configuration.

FIG. 11 is close-up perspective view of the of the clip as shown in FIG. 1 in the environment of a mini-greenhouse and connecting the dome and the propagation tray of the mini-greenhouse in a locking manner according to the second configuration as shown in FIG. 9.

FIG. 12 is a front perspective view of the clip as shown in FIG. 1 in the environment of a second mini-greenhouse and connecting a dome and a propagation tray of the mini-greenhouse in a locking manner according to a fourth configuration.

(Continued)

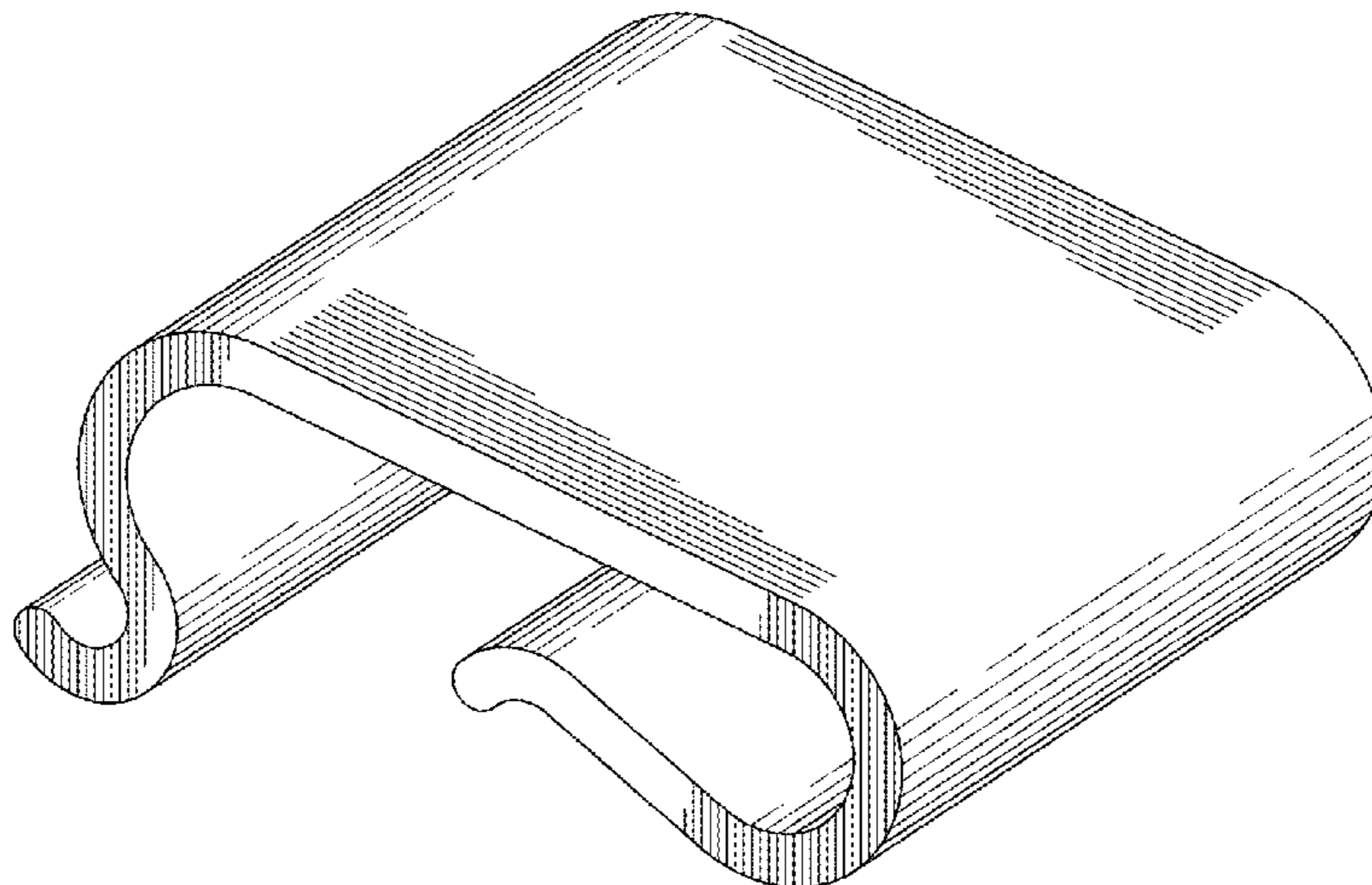


FIG. 13 is a front perspective view of the clip as shown in FIG. 1 in the environment of a second mini-greenhouse and connecting the dome and the propagation tray of the mini-greenhouse in a locking manner according to a fifth configuration.

FIG. 14 is a front perspective view of the clip as shown in FIG. 1 in the environment of a second mini-greenhouse and connecting the dome and the propagation tray of the mini-greenhouse in a locking manner according to a sixth configuration; and,

FIG. 15 is a close up view of the clip as shown in FIG. 1 in the environment of the second mini-greenhouse and connecting the dome and the propagation tray of the mini-greenhouse in a locking manner according to the configurations as shown in FIGS. 12-14.

The broken lines in FIGS. 8 through 15 are included for the purpose of illustrating environmental structure and form no part of the claimed design.

1 Claim, 11 Drawing Sheets

(58) **Field of Classification Search**

CPC F16B 2/205; F16B 2/22; F16B 2/26; F16B 2/04; F16B 2/06; F16B 5/0614; F16B 5/0621; F16B 2005/0678; F16B 9/02; F16B 7/04

See application file for complete search history.

(56)

References Cited

U.S. PATENT DOCUMENTS

D31,086	S	*	6/1899	Caldwell	D8/395
1,982,501	A	*	11/1934	Douglas	H01R 31/02 D11/86
D156,659	S	*	12/1949	Reed	D8/371
D376,972	S	*	12/1996	Zissu	D8/354
D510,517	S	*	10/2005	Noack	D8/373
D523,330	S	*	6/2006	Mattesky	D8/395
D552,462	S	*	10/2007	Boyd	D8/395
D561,574	S	*	2/2008	Lown	D8/395
D593,324	S		6/2009	Simas		
D595,568	S	*	7/2009	Ellwood	D8/395
D610,441	S	*	2/2010	Jones	D8/394
D610,901	S	*	3/2010	Jones	D8/394
D616,431	S	*	5/2010	Hijmans	D14/253
D721,615	S	*	1/2015	Orange	D11/215
D739,223	S	*	9/2015	Paik	D8/396
D873,895	S	*	1/2020	Costa	D16/237
2010/0007196	A1	*	1/2010	Astorino	F16F 15/324 301/5.21
2017/0219127	A1	*	8/2017	Vermillion	F16B 2/22

FOREIGN PATENT DOCUMENTS

TW	M361962	8/2009
TW	M490244	11/2014
TW	D192922	9/2018

* cited by examiner

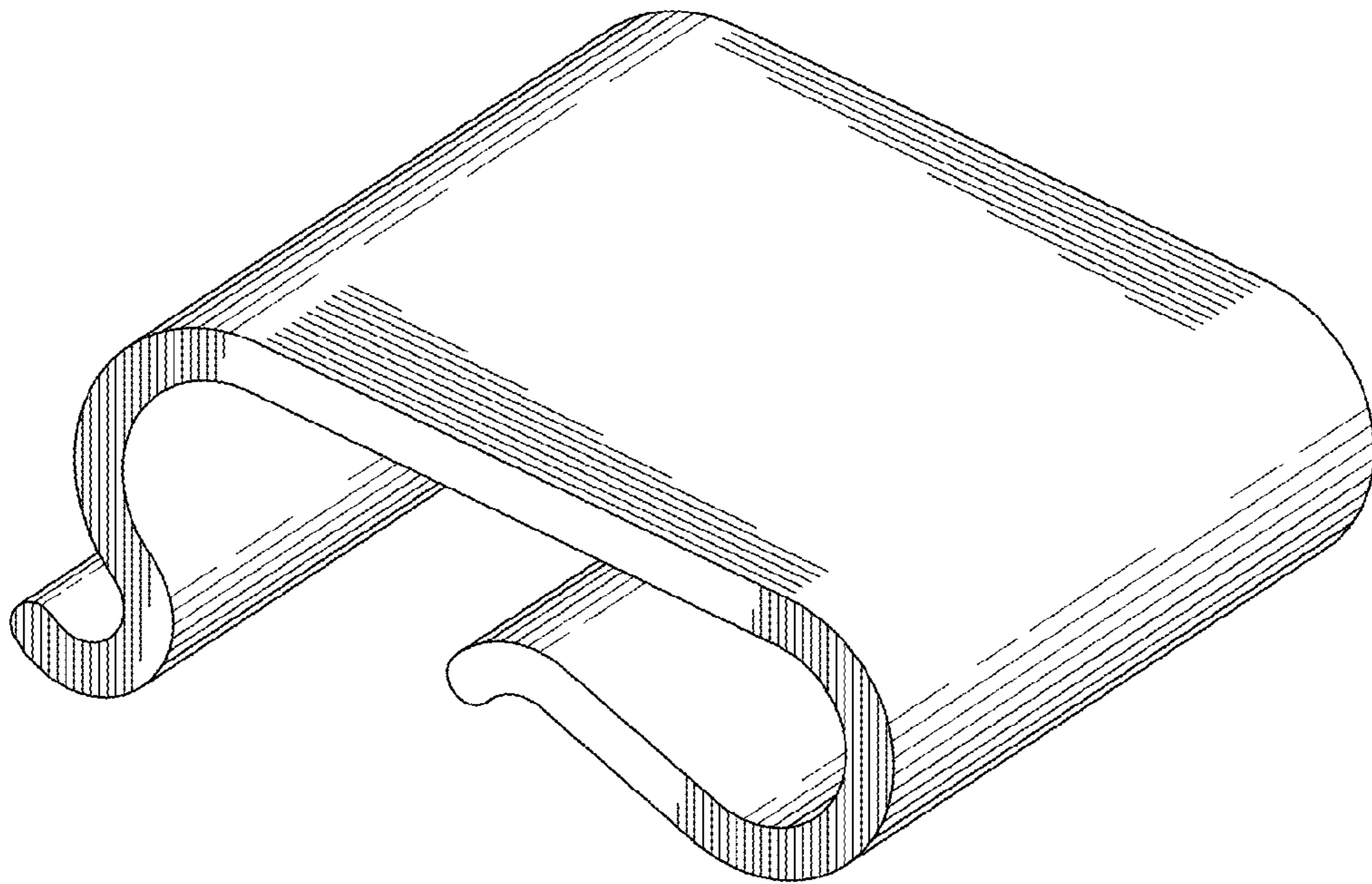


FIG. 1

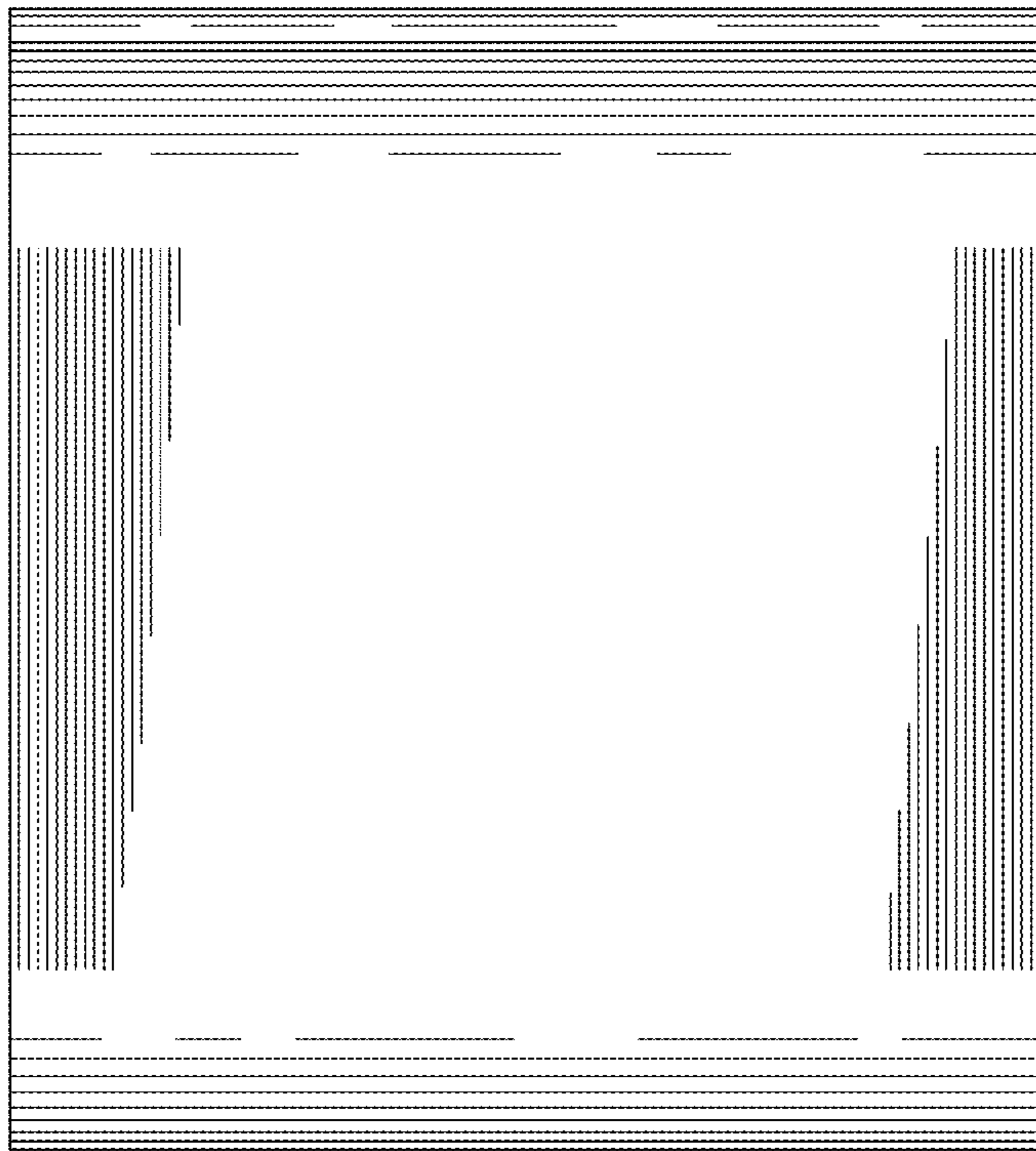


FIG. 2

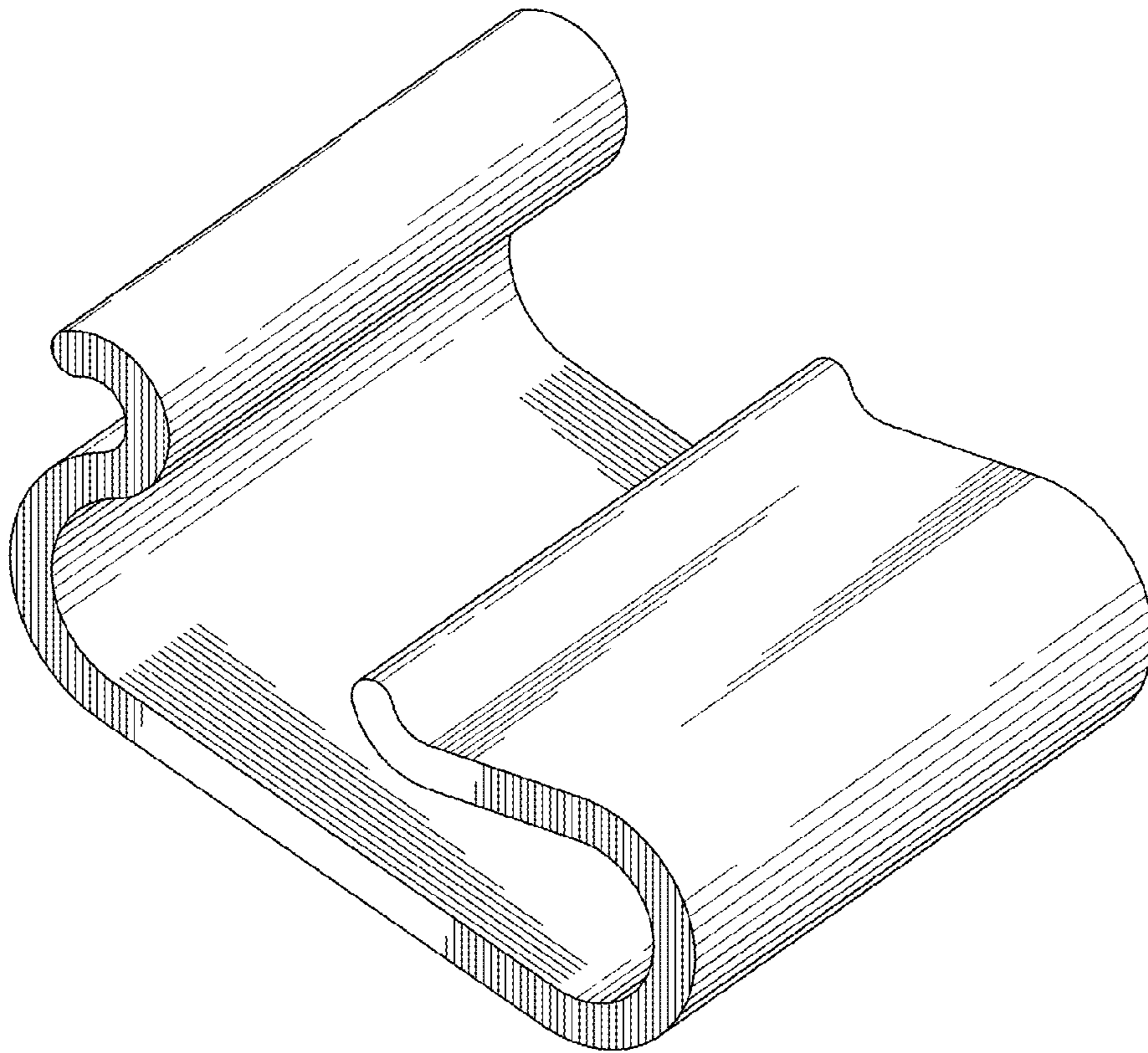


FIG. 3

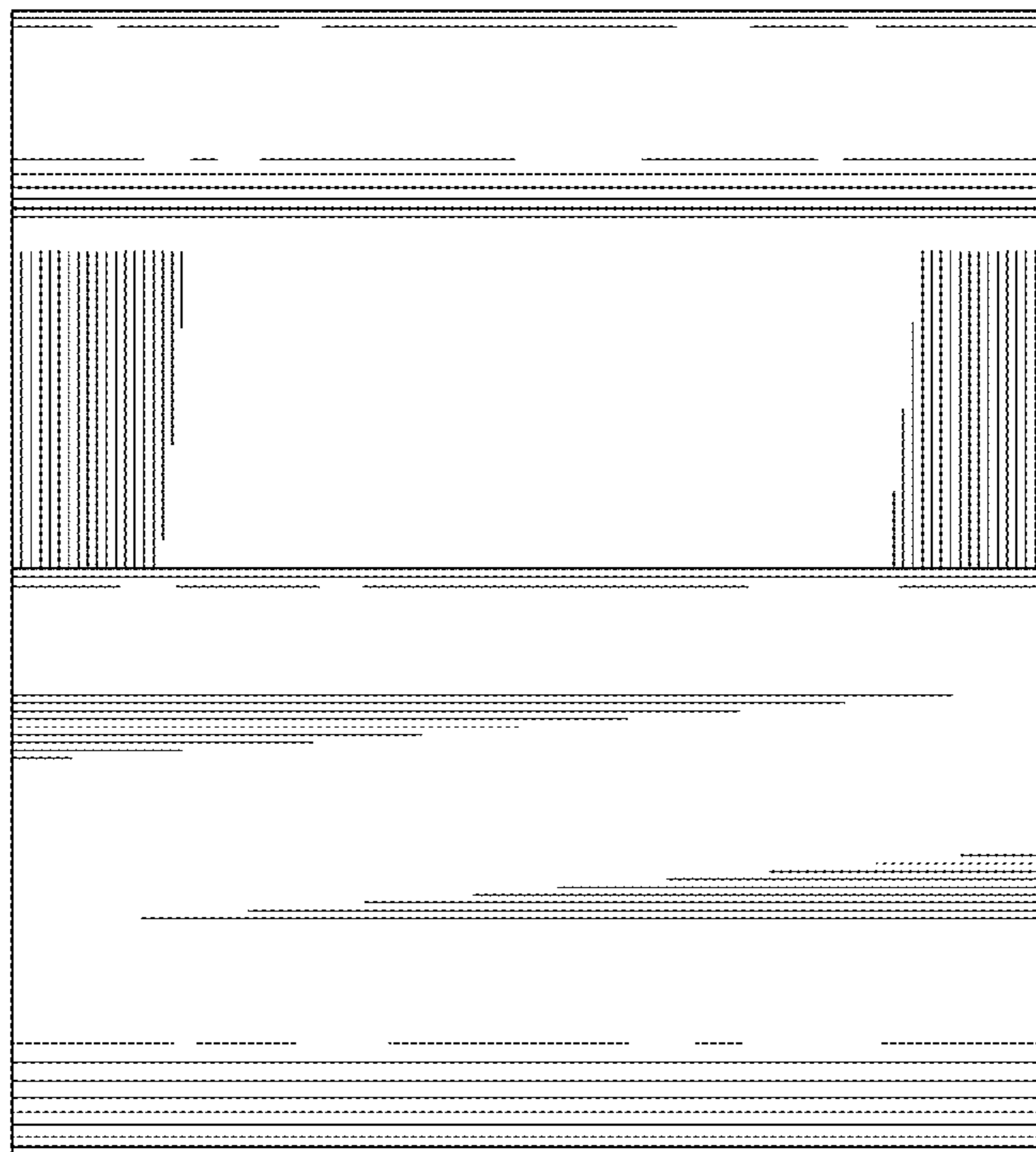


FIG. 4

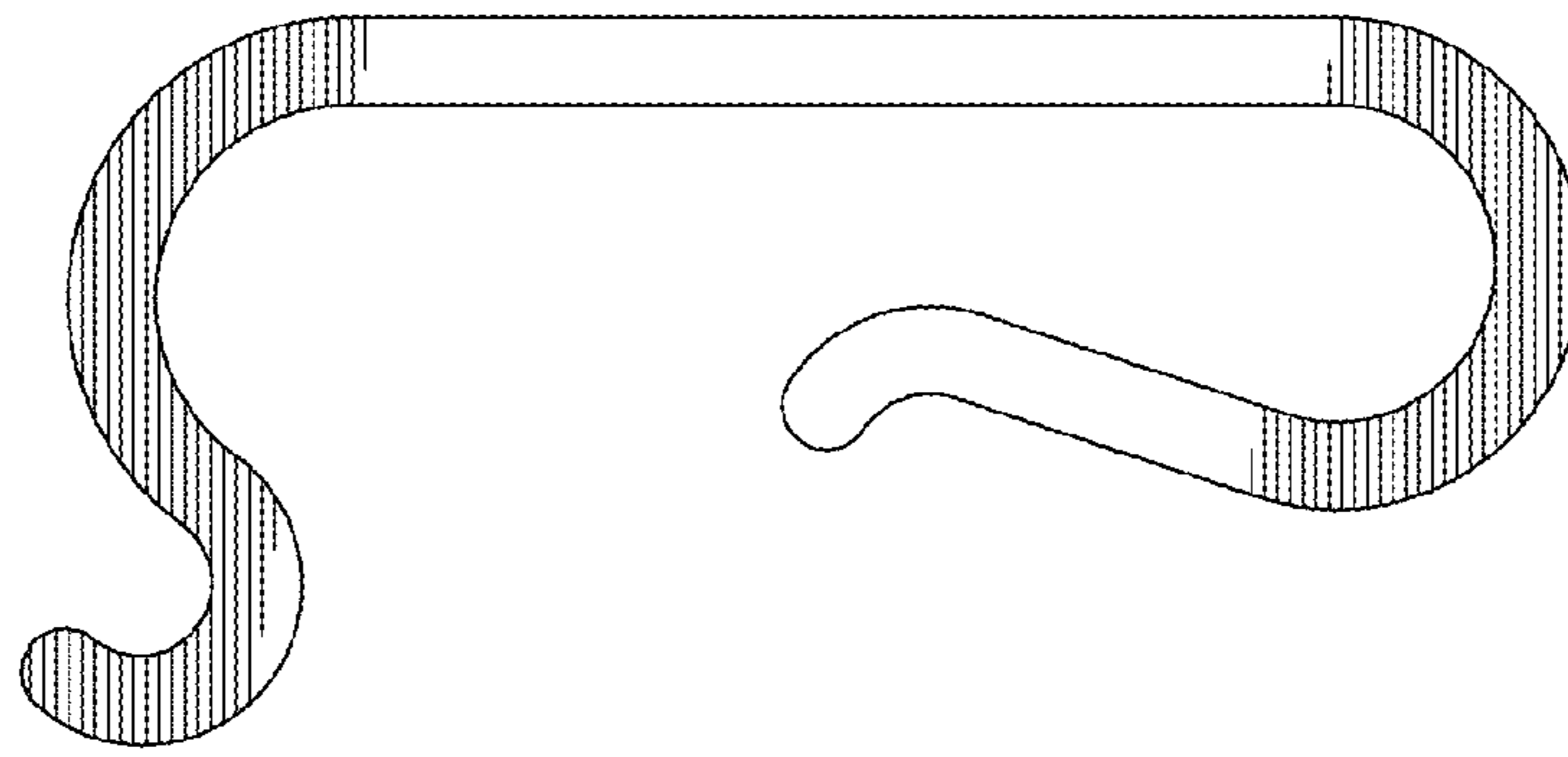


FIG. 5

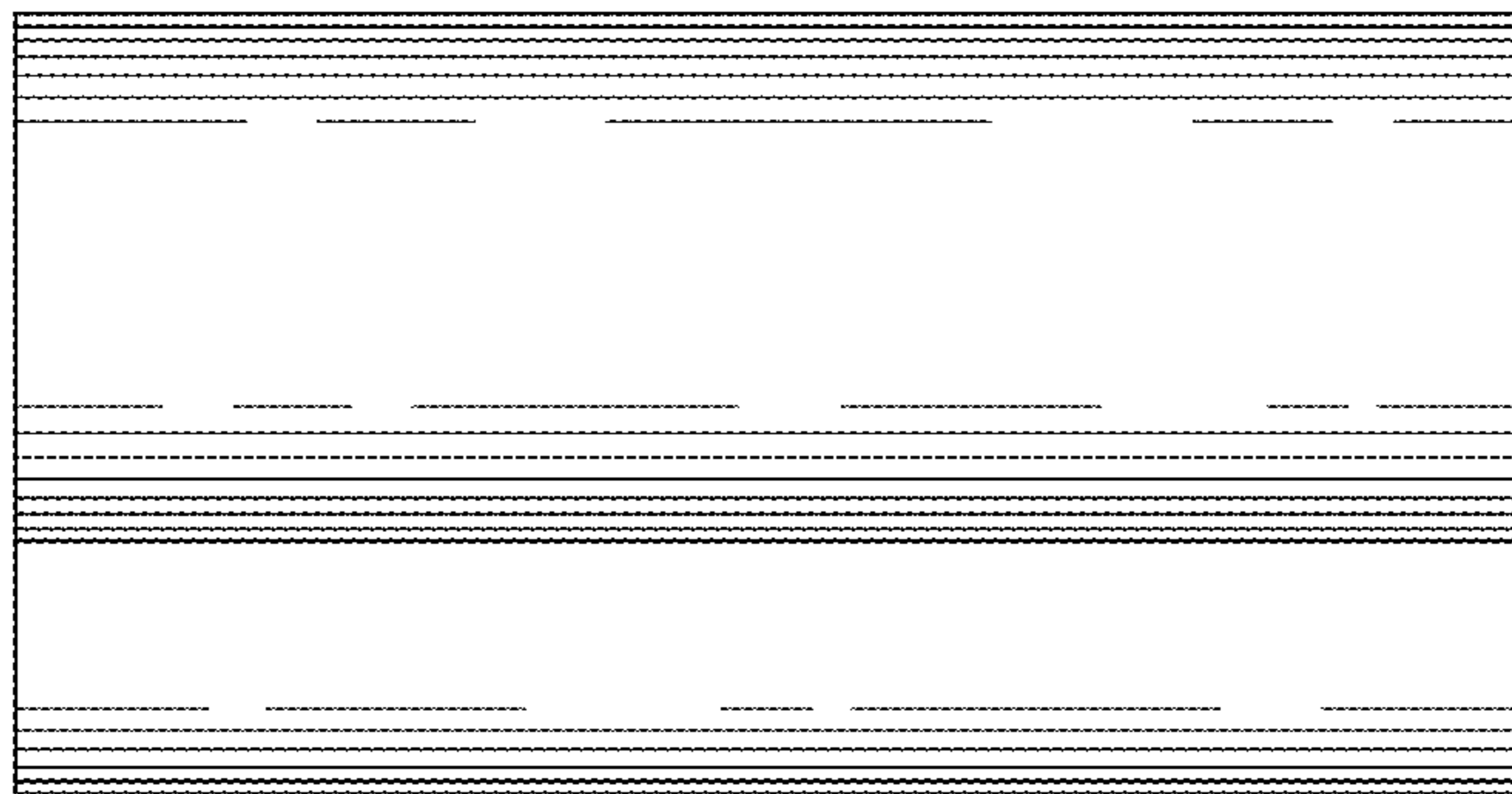


FIG. 6

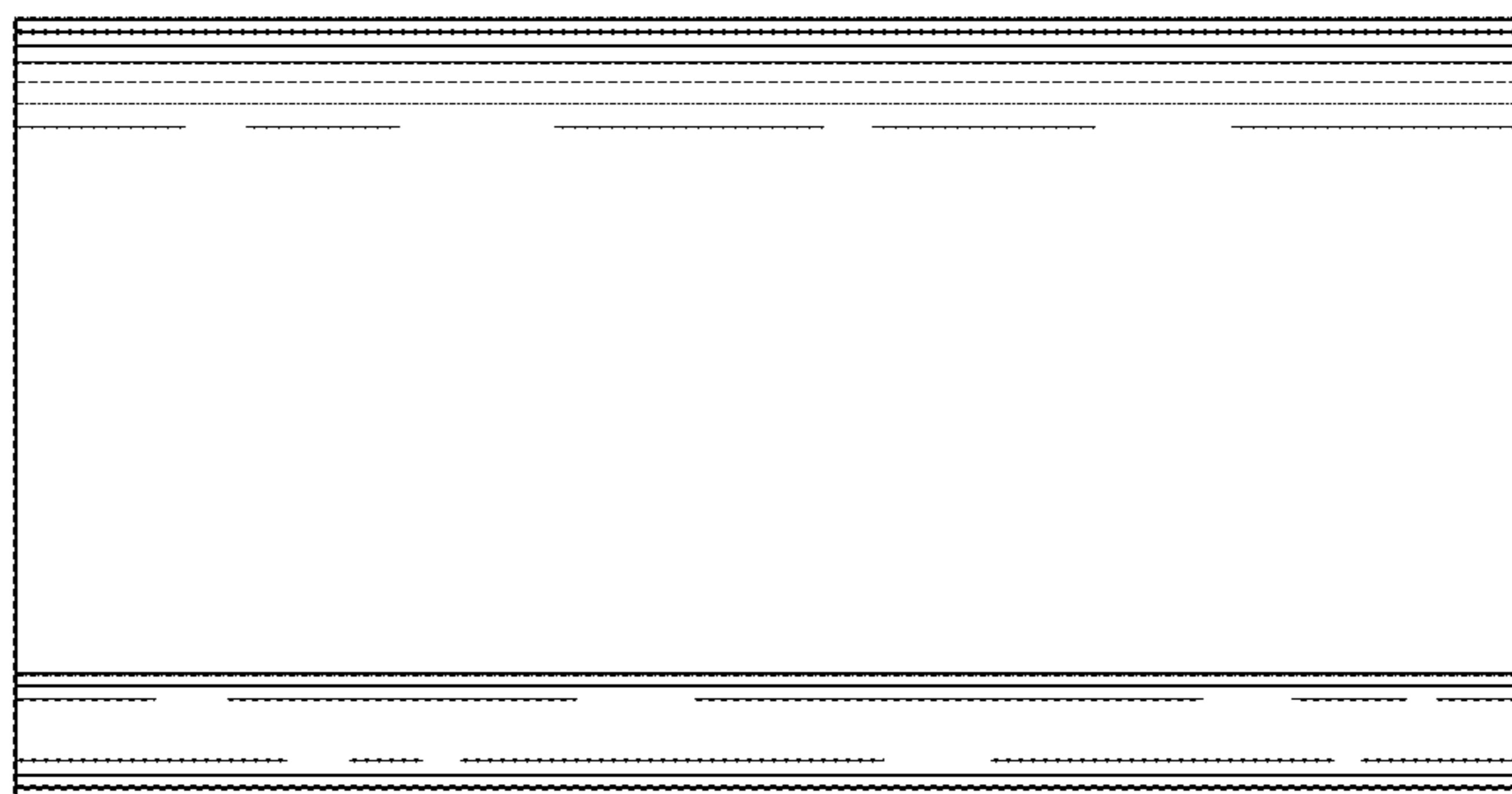


FIG. 7

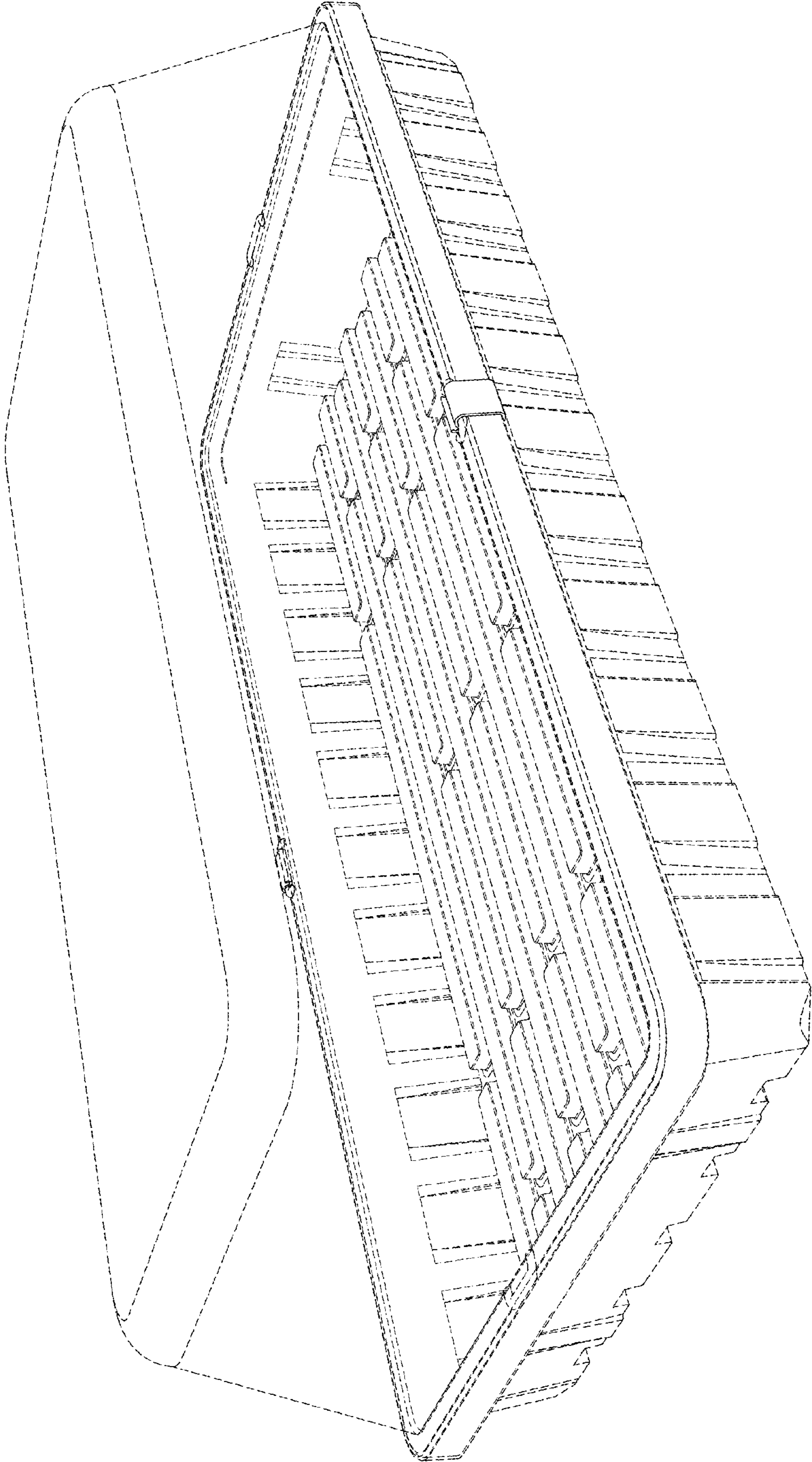


FIG. 4

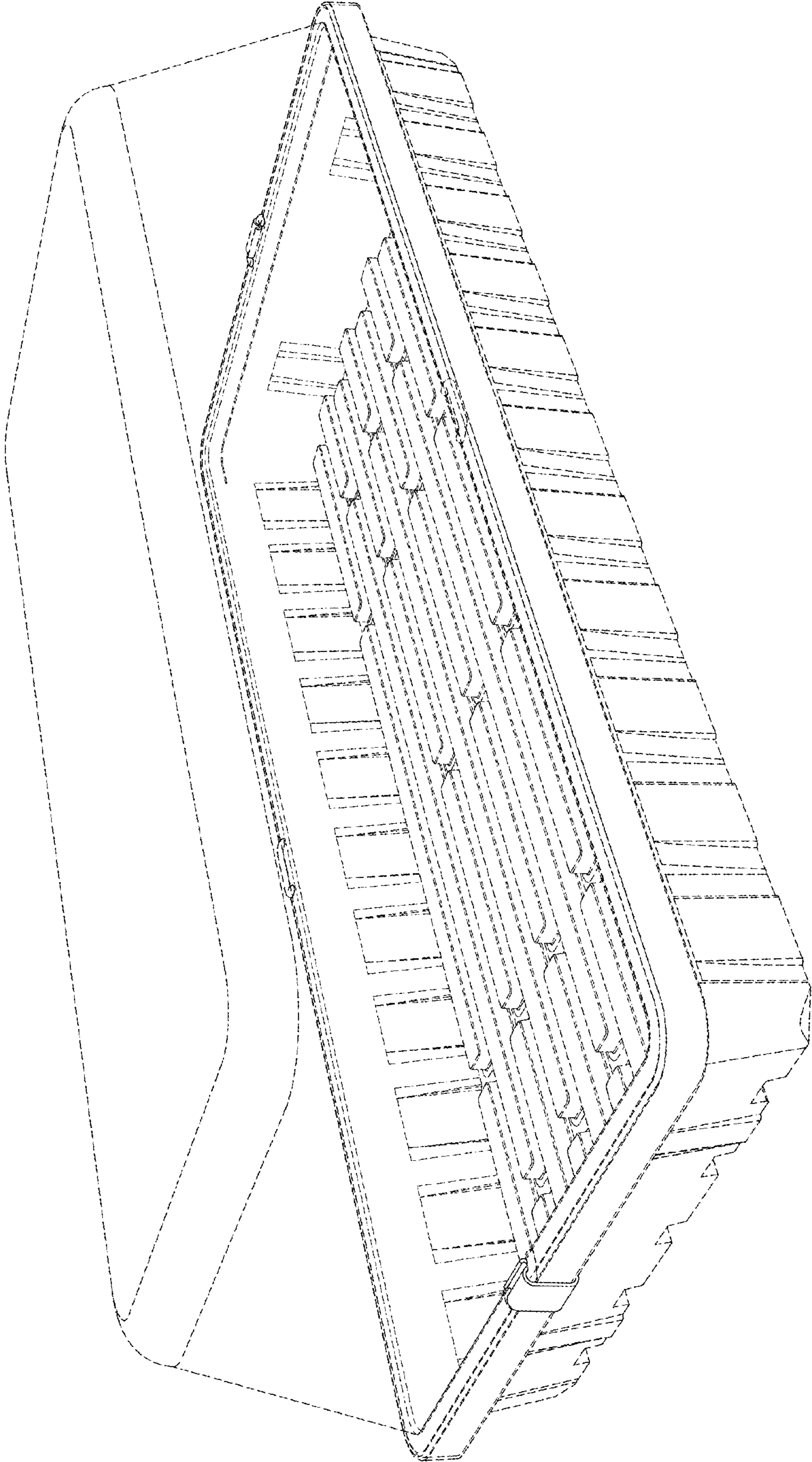


FIG. 5

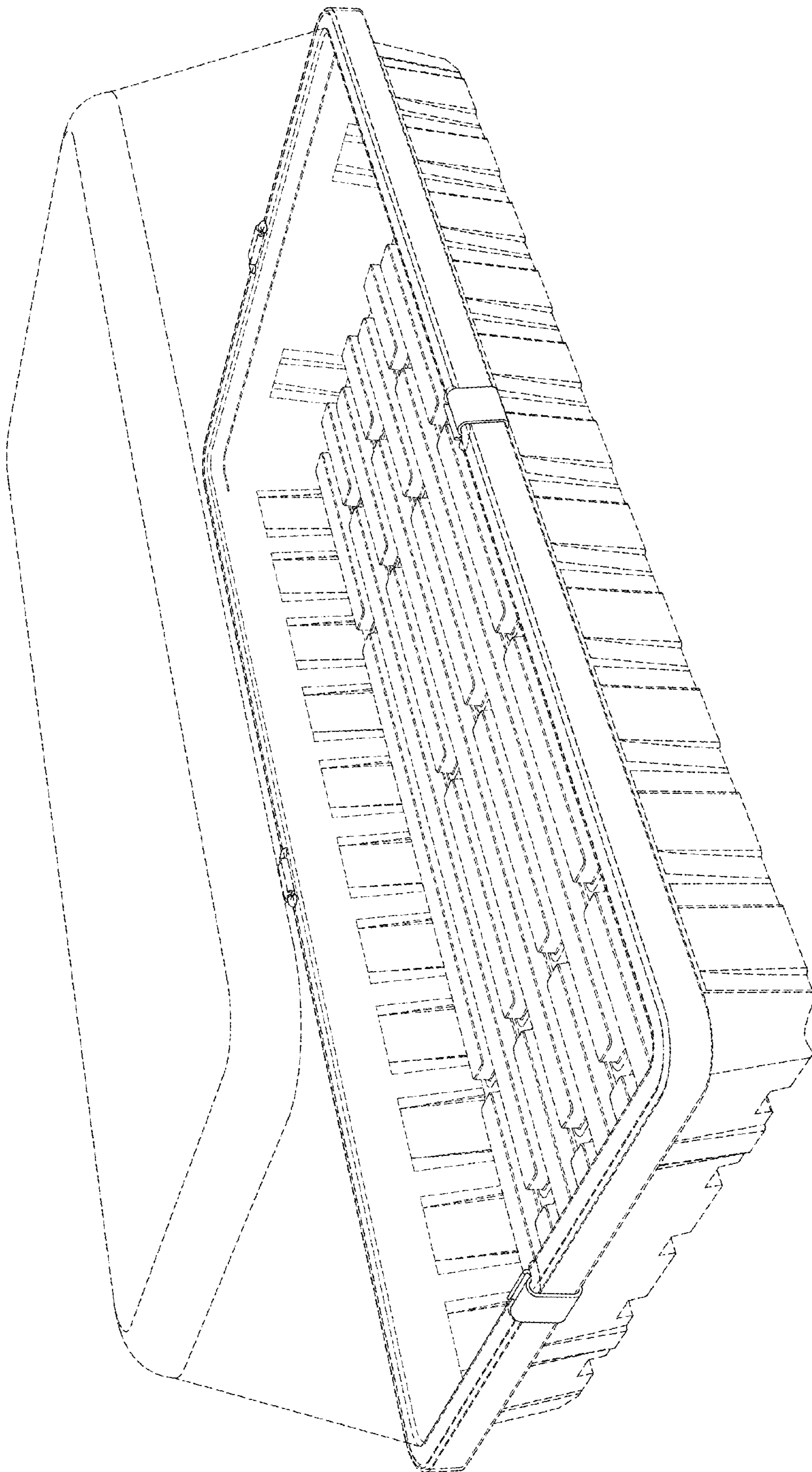


FIG. 10

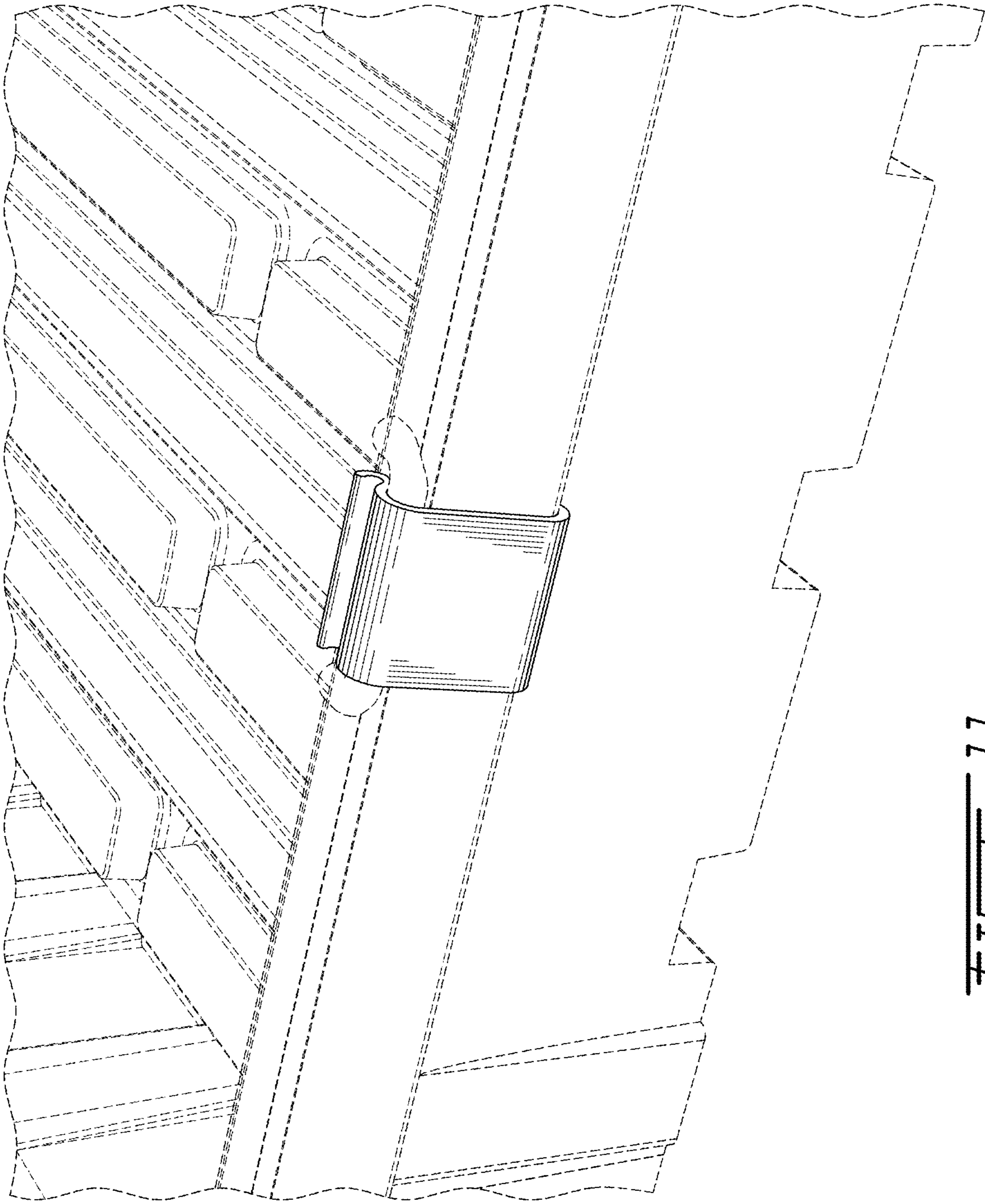


FIG. 11

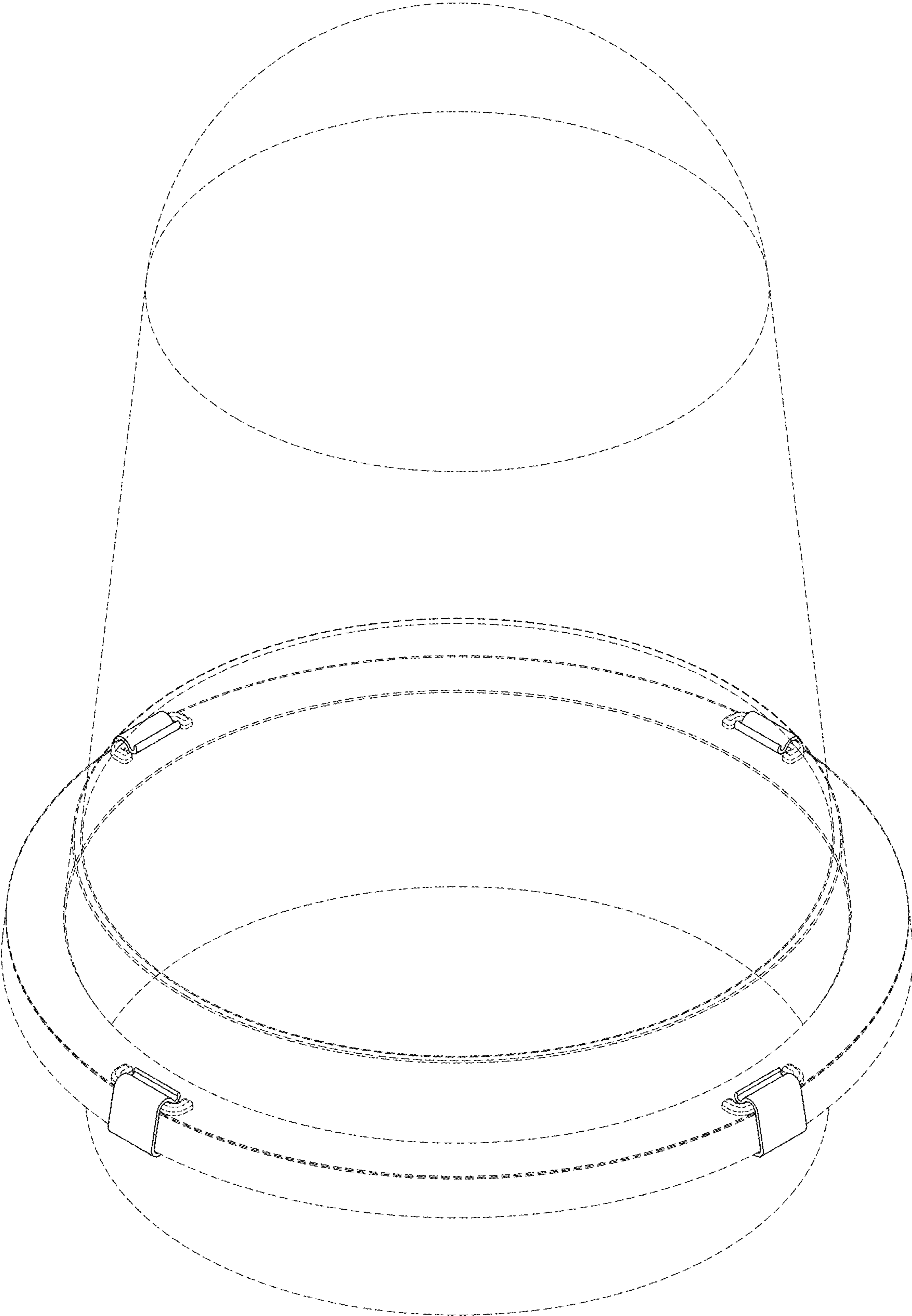


FIG. 12

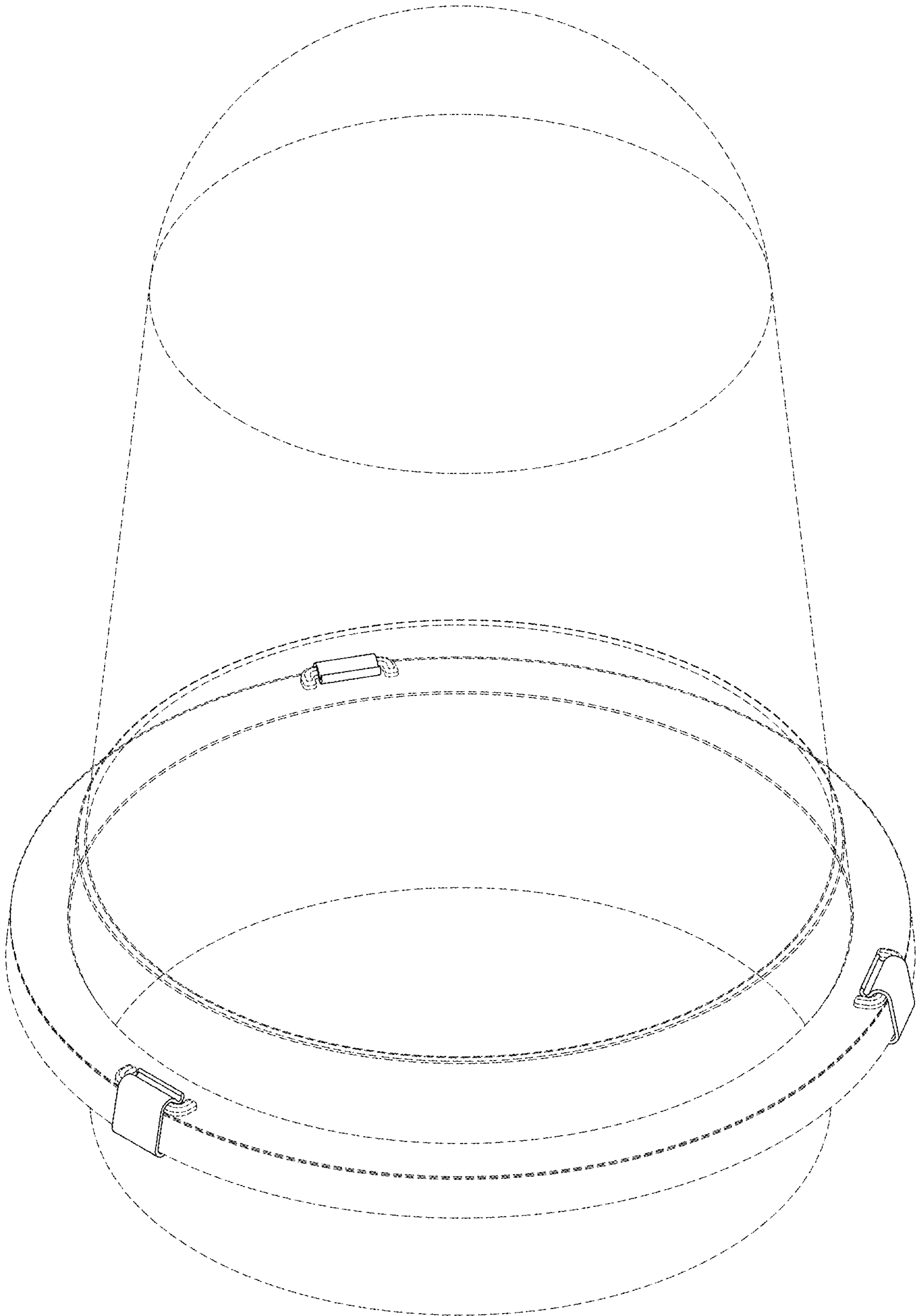


FIG. 13

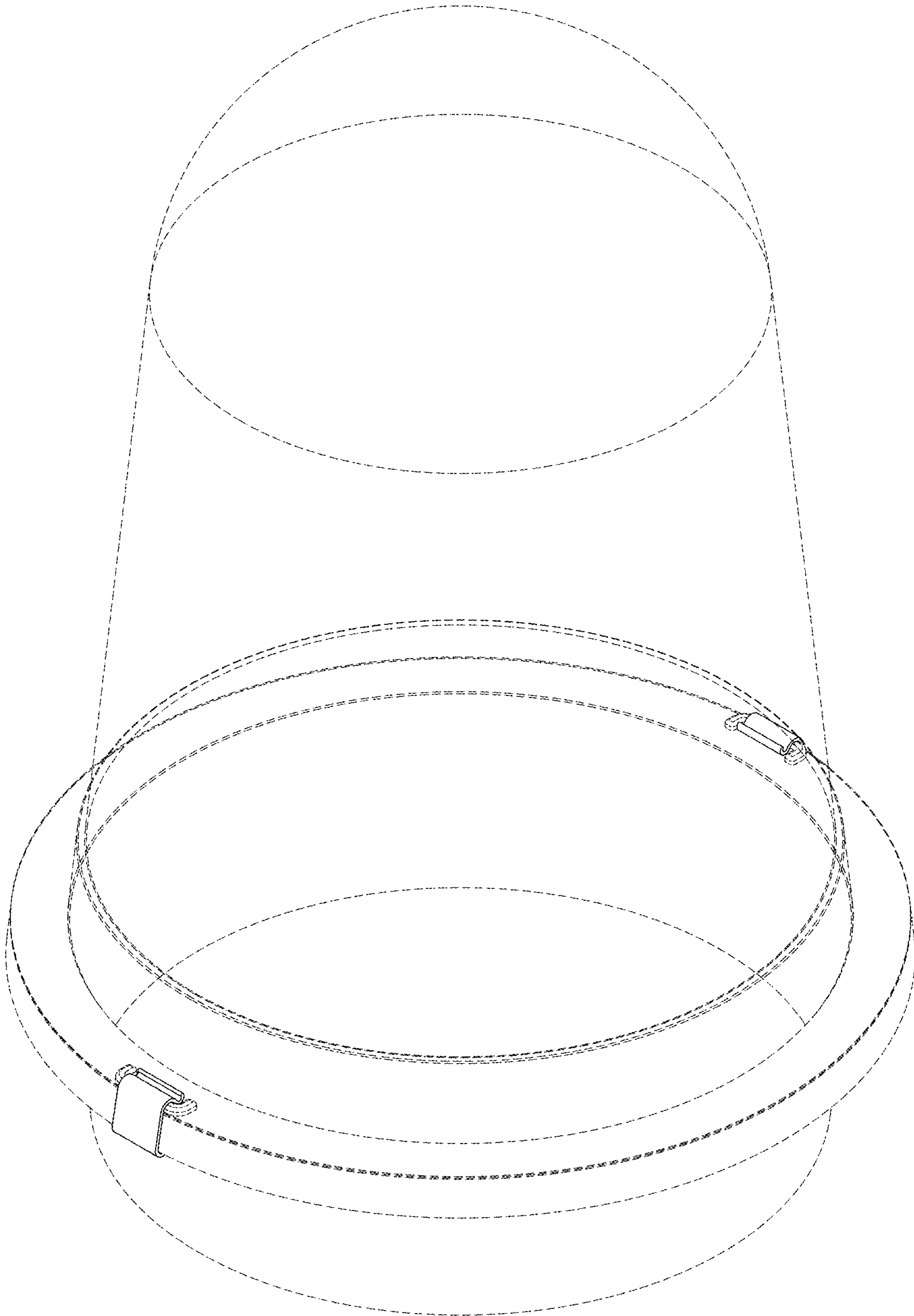


FIG. 14

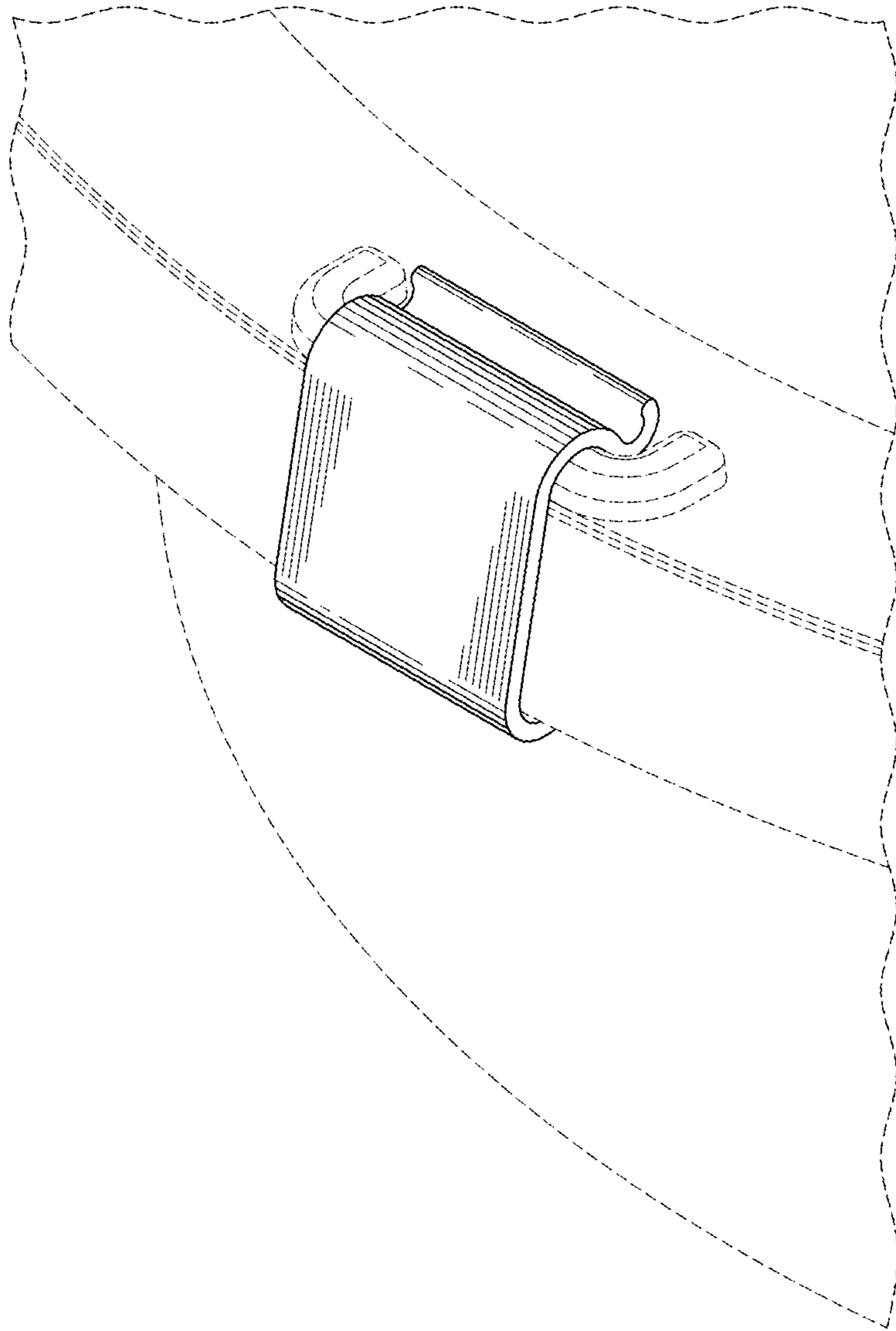


FIG. 15