



US00D980703S

(12) **United States Design Patent** (10) **Patent No.:** **US D980,703 S**
Lu (45) **Date of Patent:** **** Mar. 14, 2023**

(54) **FURNITURE LEG PROTECTOR**
(71) Applicant: **SHENZHEN HENGHUIDA**
INDUSTRY CO., LTD., Shenzhen
(CN)
(72) Inventor: **Heng Lu**, Shenzhen (CN)
(73) Assignee: **SHENZHEN HENGHUIDA**
INDUSTRY CO., LTD., Shenzhen
(CN)

D423,340 S * 4/2000 Sittig D8/374
D426,495 S * 6/2000 Vaccaro D12/133
D497,307 S * 10/2004 Heisey D8/374
D616,289 S * 5/2010 Frankel D8/374
D650,262 S * 12/2011 Hinkle, III D8/374
D793,211 S * 8/2017 Exley D8/374
D801,805 S * 11/2017 Pensler D9/425
D941,130 S * 1/2022 Wendling D8/374
D942,254 S * 2/2022 Becker A47B 91/12
D8/374
D959,245 S * 8/2022 Rizzo D8/374
(Continued)

(**) Term: **15 Years**

OTHER PUBLICATIONS

(21) Appl. No.: **29/808,805**
(22) Filed: **Sep. 23, 2021**
(51) **LOC (14) Cl.** **08-11**
(52) **U.S. Cl.**
USPC **D8/374**
(58) **Field of Classification Search**
USPC D8/373, 374, 375, 376; D21/302, 386,
D21/443; D6/374, 615, 553, 710, 616;
D23/250, 252
CPC A47C 7/62; A47C 7/006; E05B 85/10;
E05B 13/002; E05B 1/0015; E05B 85/12;
E05B 15/0086; E05B 77/26511; A47B
91/12; B60T 3/00; A47F 1/065; G10C
3/16; Y10T 16/216
See application file for complete search history.

Black Silicone Chair Leg Floor Protectors, by Arthurs on Amazon.com. Dated Mar. 1, 2022. Found online [Oct. 18, 2022]. <https://www.amazon.com/Silicone-Protectors-Furniture-Protection-Round/dp/B09X9H3FCS>.*

Primary Examiner — Eliza Z Harvey
Assistant Examiner — Kayla Marie Bennett

(56) **References Cited**

U.S. PATENT DOCUMENTS

D27,665 S * 9/1897 Bailey D8/374
D44,996 S * 12/1913 Buser D8/374
D45,196 S * 2/1914 Lawson D8/374
D171,580 S * 3/1954 Chapman et al. D8/374
D173,835 S * 1/1955 Chapman et al. D8/374
2,744,283 A * 5/1956 Reineman A47B 91/04
248/188.9
D241,454 S * 9/1976 Craft, III et al. D11/155
D379,061 S * 5/1997 Williams D8/374

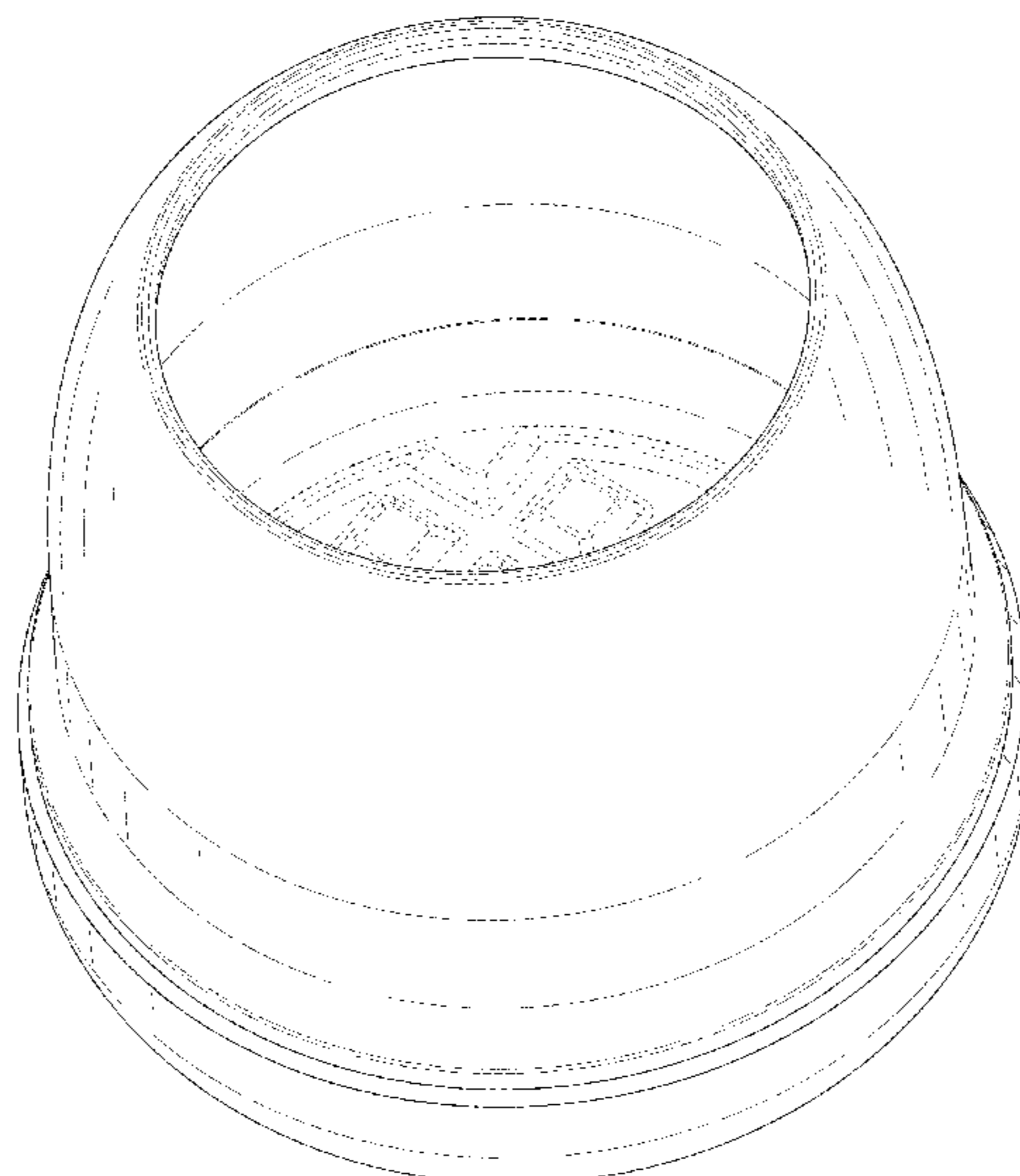
(57) **CLAIM**

The ornamental design for a furniture leg protector, as shown and described.

DESCRIPTION

FIG. 1 is a perspective view of a furniture leg protector showing my new design;
FIG. 2 is another perspective view thereof;
FIG. 3 is a front elevational view thereof;
FIG. 4 is a rear elevational view thereof;
FIG. 5 is a left side elevational view thereof;
FIG. 6 is a right side elevational view thereof;
FIG. 7 is a top plan view thereof; and,
FIG. 8 is a bottom plan view thereof.
The broken lines immediately adjacent the shaded areas represent the bounds of the claimed design while all other broken lines are directed to portions of the furniture leg protector that form no part of the claim.

1 Claim, 8 Drawing Sheets



(56)

References Cited

U.S. PATENT DOCUMENTS

2007/0220703 A1* 9/2007 LaPointe A47B 91/06
16/42 R
2012/0068034 A1* 3/2012 Desmarais B60B 33/0028
156/86

* cited by examiner

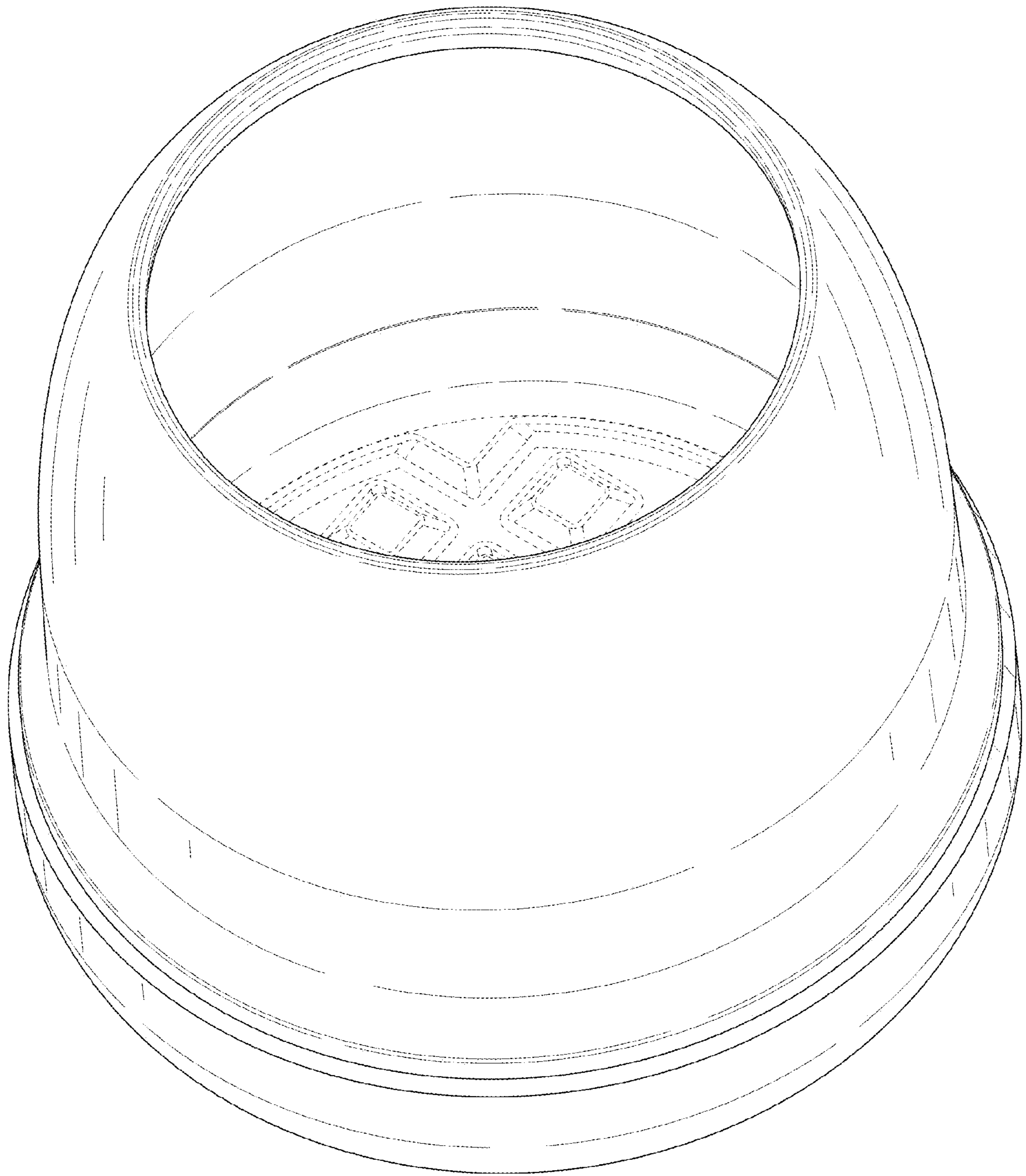


FIG. 1

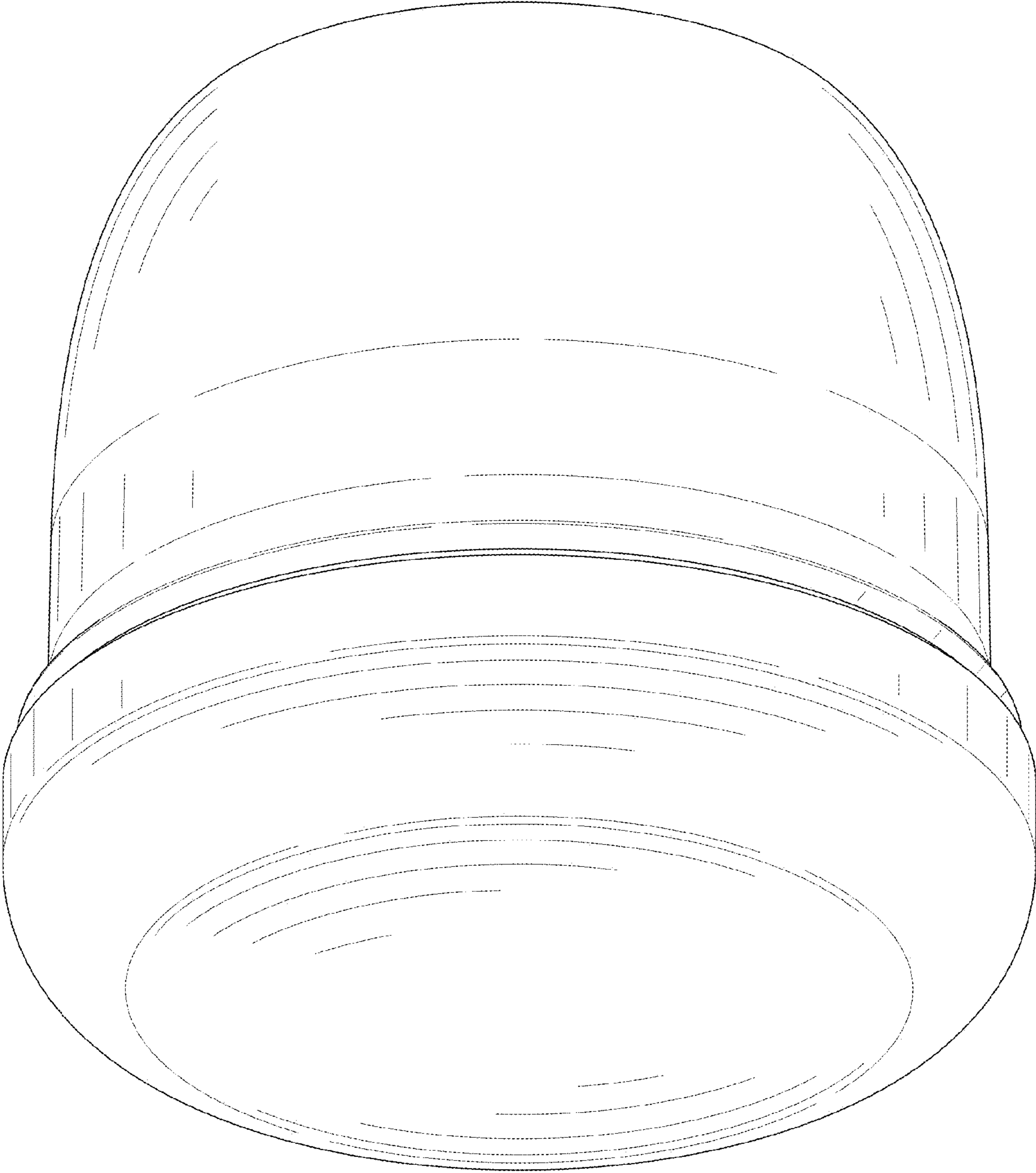


FIG. 2

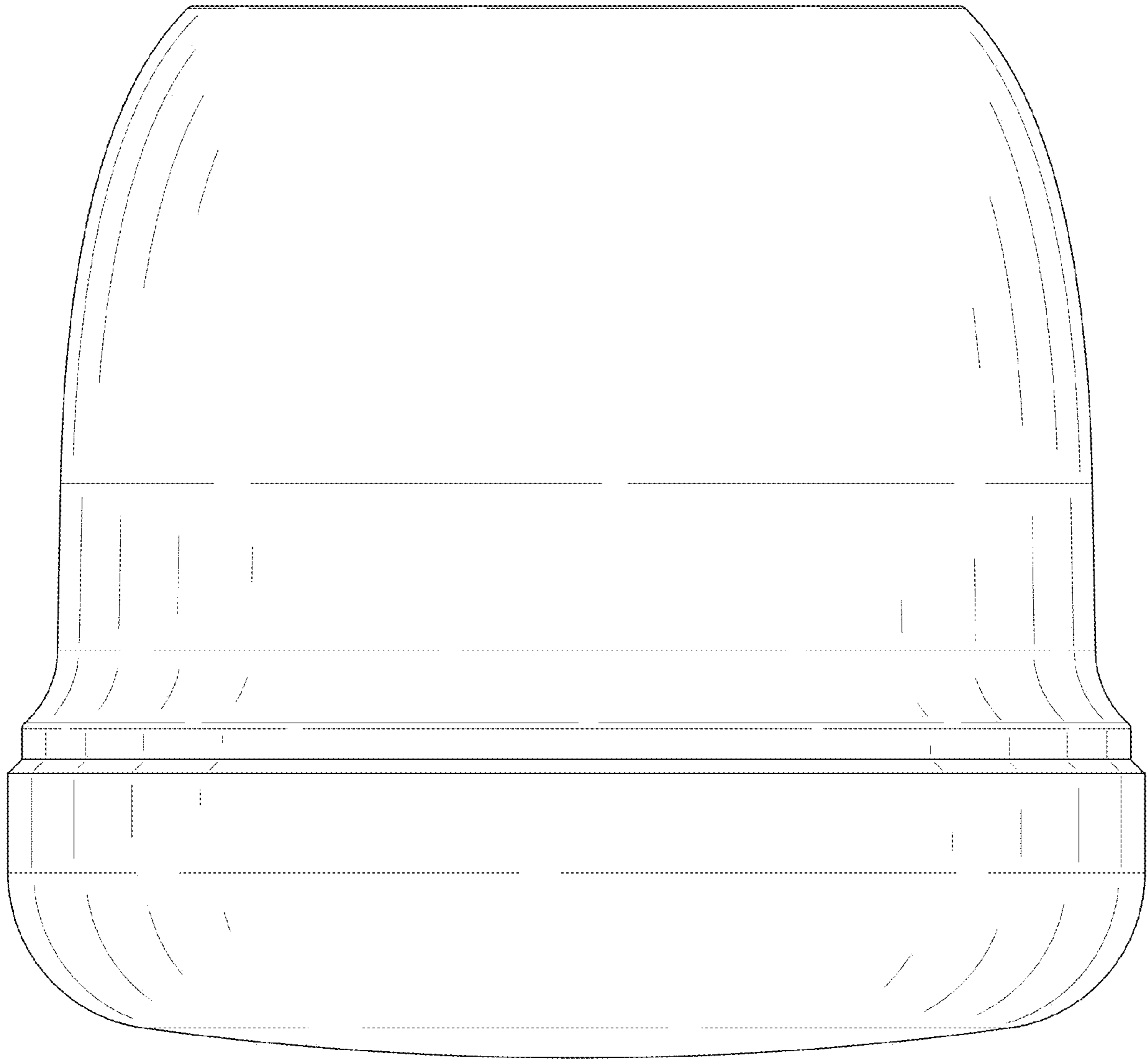


FIG. 3

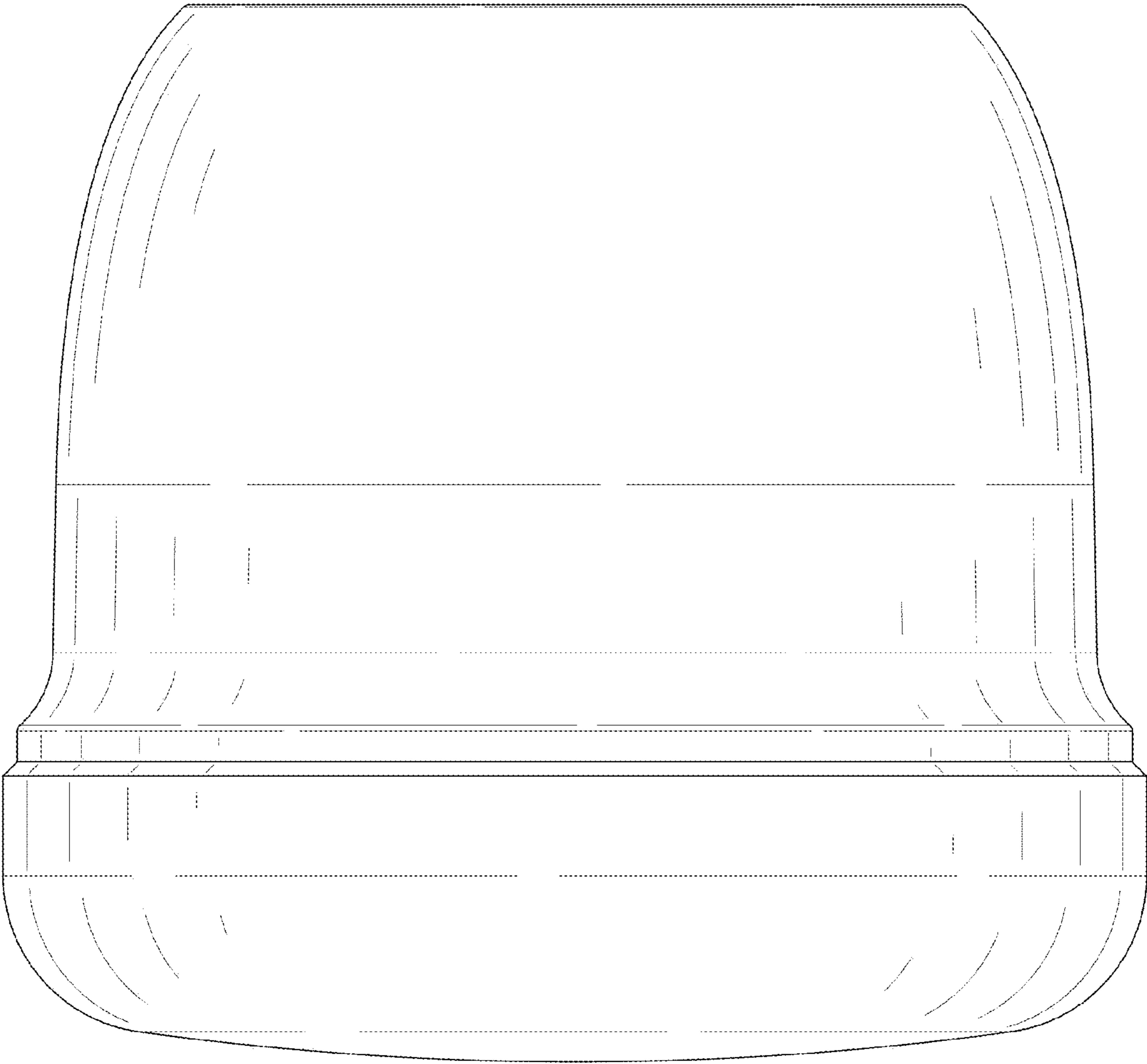


FIG. 4

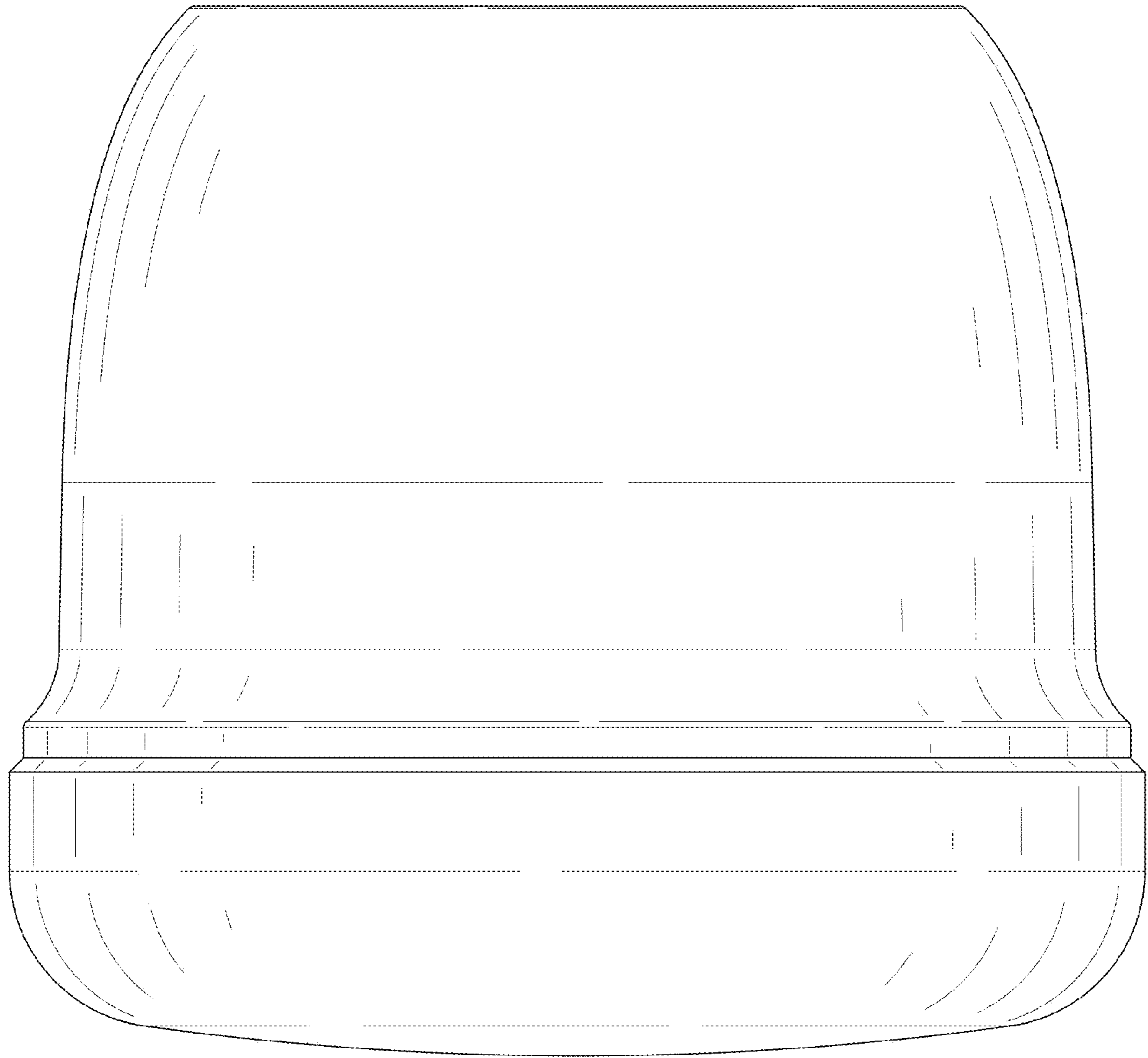


FIG. 5

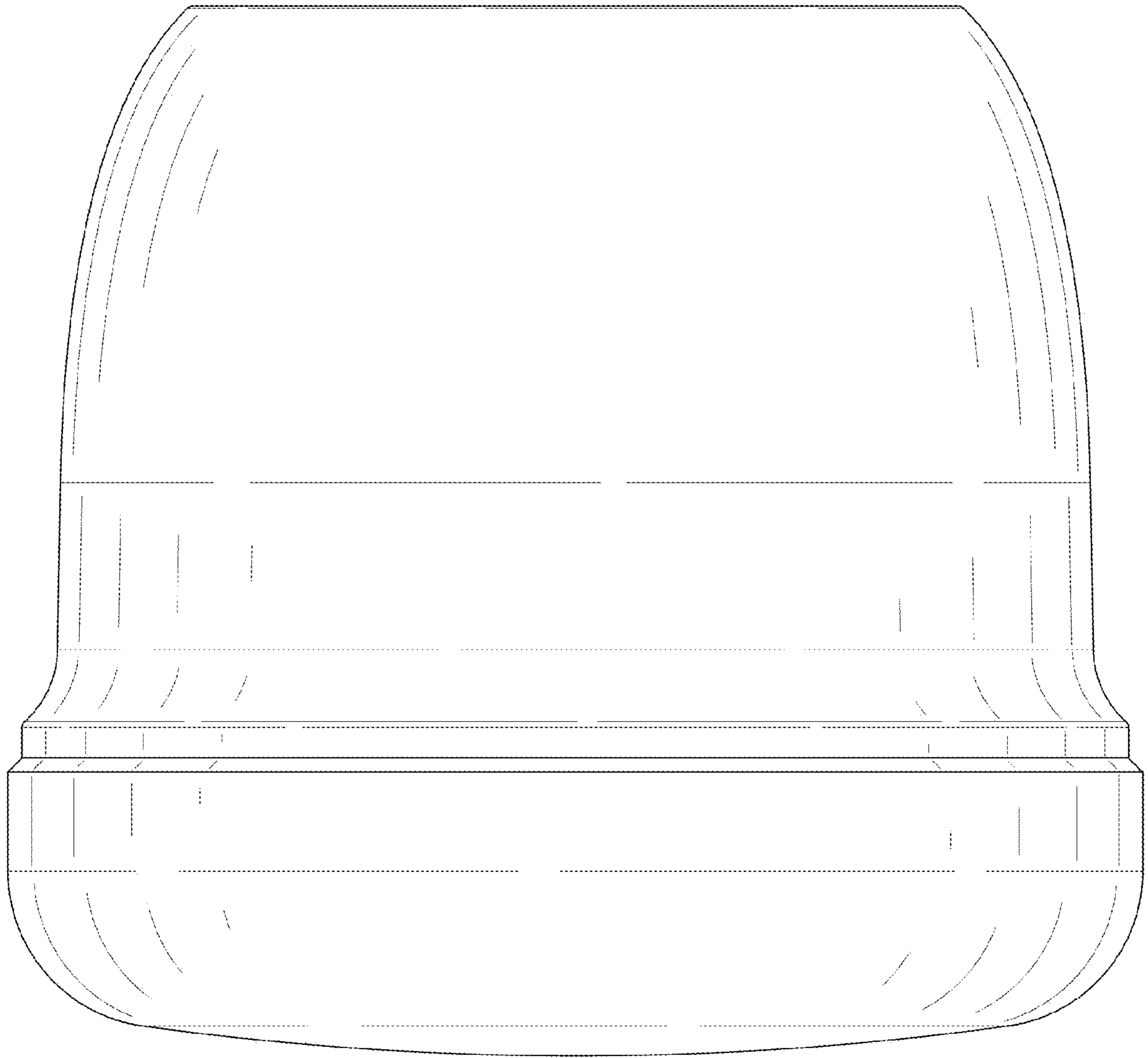


FIG. 6

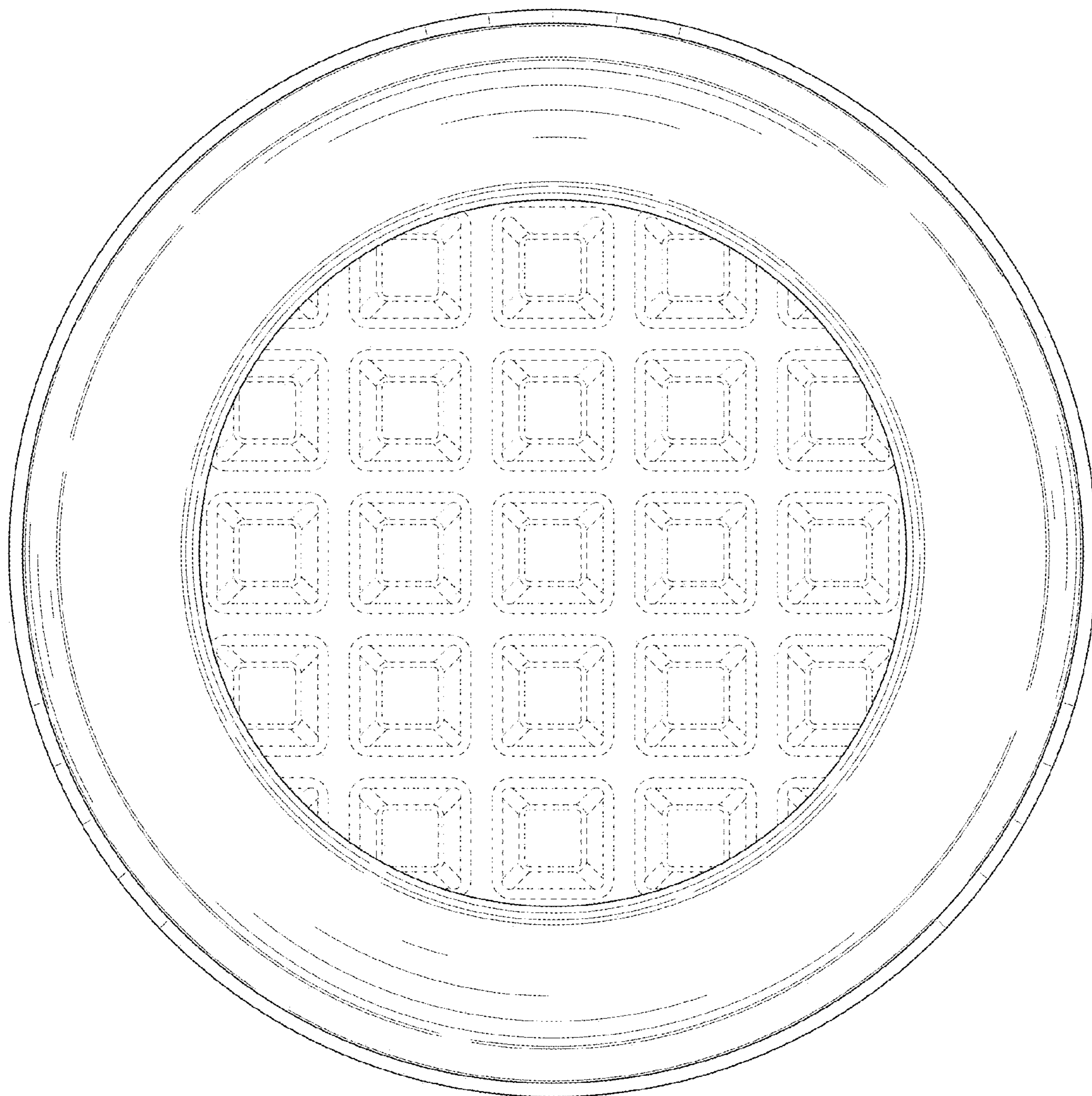


FIG. 7

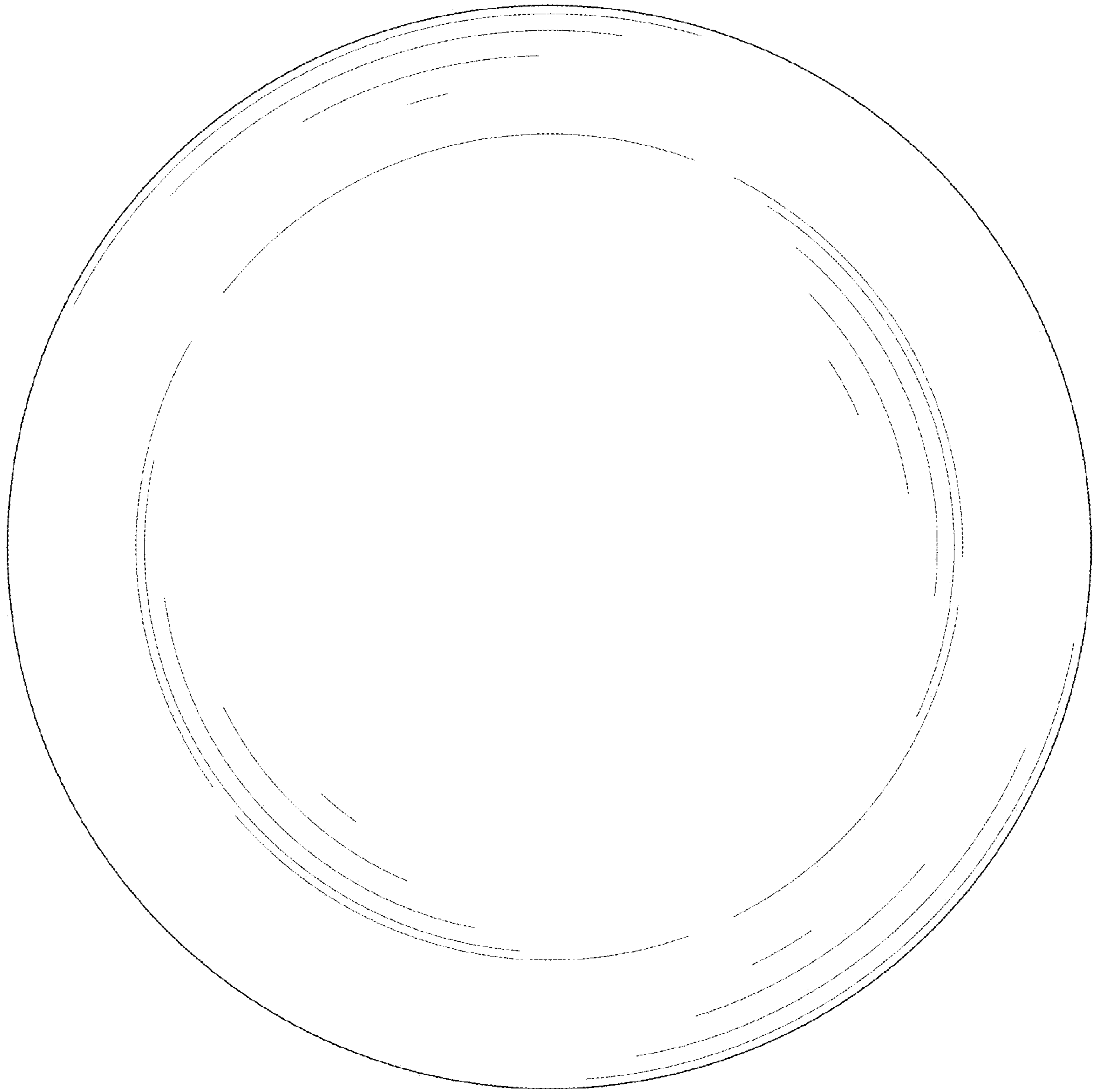


FIG. 8