



US00D980701S

(12) **United States Design Patent**  
**Fu**

(10) **Patent No.:** **US D980,701 S**  
(45) **Date of Patent:** **\*\* Mar. 14, 2023**

- (54) **ADHESIVE HOOK**
- (71) Applicant: **Xuzhou Aiwate Trading Co., Ltd.**,  
Jiangsu (CN)
- (72) Inventor: **Yue Fu**, Jiangsu (CN)
- (\*\*) Term: **15 Years**
- (21) Appl. No.: **29/850,838**
- (22) Filed: **Aug. 23, 2022**
- (51) **LOC (14) Cl.** ..... **08-11**
- (52) **U.S. Cl.**  
USPC ..... **D8/367**
- (58) **Field of Classification Search**  
USPC ..... D8/367, 354, 349, 373, 356; D6/323;  
248/301-304, 339  
CPC .. A47G 1/00; A47G 25/00; A47G 1/17; F16B  
47/003  
See application file for complete search history.

D658,029	S	*	4/2012	Fulkerson	.....	D8/301
D670,997	S	*	11/2012	Thompson	.....	D8/367
D761,093	S	*	7/2016	Liu	.....	D8/367
D811,201	S	*	2/2018	Berger	.....	D8/367
D811,862	S	*	3/2018	Berger	.....	D8/367
D812,454	S	*	3/2018	Berger	.....	D8/367
D818,353	S	*	5/2018	Sacks	.....	D8/367
D821,184	S	*	6/2018	Berger	.....	D8/367
D842,083	S	*	3/2019	Thompson	.....	D8/367
D864,697	S	*	10/2019	Gnocchini	.....	D8/367
D864,700	S	*	10/2019	Chen	.....	D8/367
D867,771	S	*	11/2019	Zhong	.....	D6/323
D879,596	S	*	3/2020	Li	.....	D8/367
10,842,304	B2	*	11/2020	Ye	.....	A47G 25/0607
D918,698	S	*	5/2021	Man	.....	D8/367
D935,312	S	*	11/2021	Zhou	.....	D8/367
D939,330	S	*	12/2021	Zhou	.....	D8/367
D953,849	S		6/2022	Liu		

\* cited by examiner

*Primary Examiner* — Cynthia R Underwood  
(74) *Attorney, Agent, or Firm* — Che-Yang Chen; Law  
Office of Michael Chen

(56) **References Cited**

U.S. PATENT DOCUMENTS

2,679,998	A	*	6/1954	Keller	.....	F16B 47/003
						D8/367
2,765,998	A	*	10/1956	Engert	.....	A47G 1/17
						248/467
D212,553	S	*	10/1968	Hekman	.....	D8/367
3,637,181	A	*	1/1972	Janssen	.....	A47G 1/17
						156/320
4,003,538	A	*	1/1977	Frye	.....	A47G 1/17
						24/304
4,756,498	A	*	7/1988	Frye	.....	A47G 1/17
						248/205.3
5,121,896	A	*	6/1992	Frye	.....	F16B 47/003
						248/205.3
D327,641	S	*	7/1992	Hoskinson	.....	D8/367
D356,941	S	*	4/1995	Reddick	.....	D8/367
D374,602	S	*	10/1996	Protz, Jr.	.....	D8/367

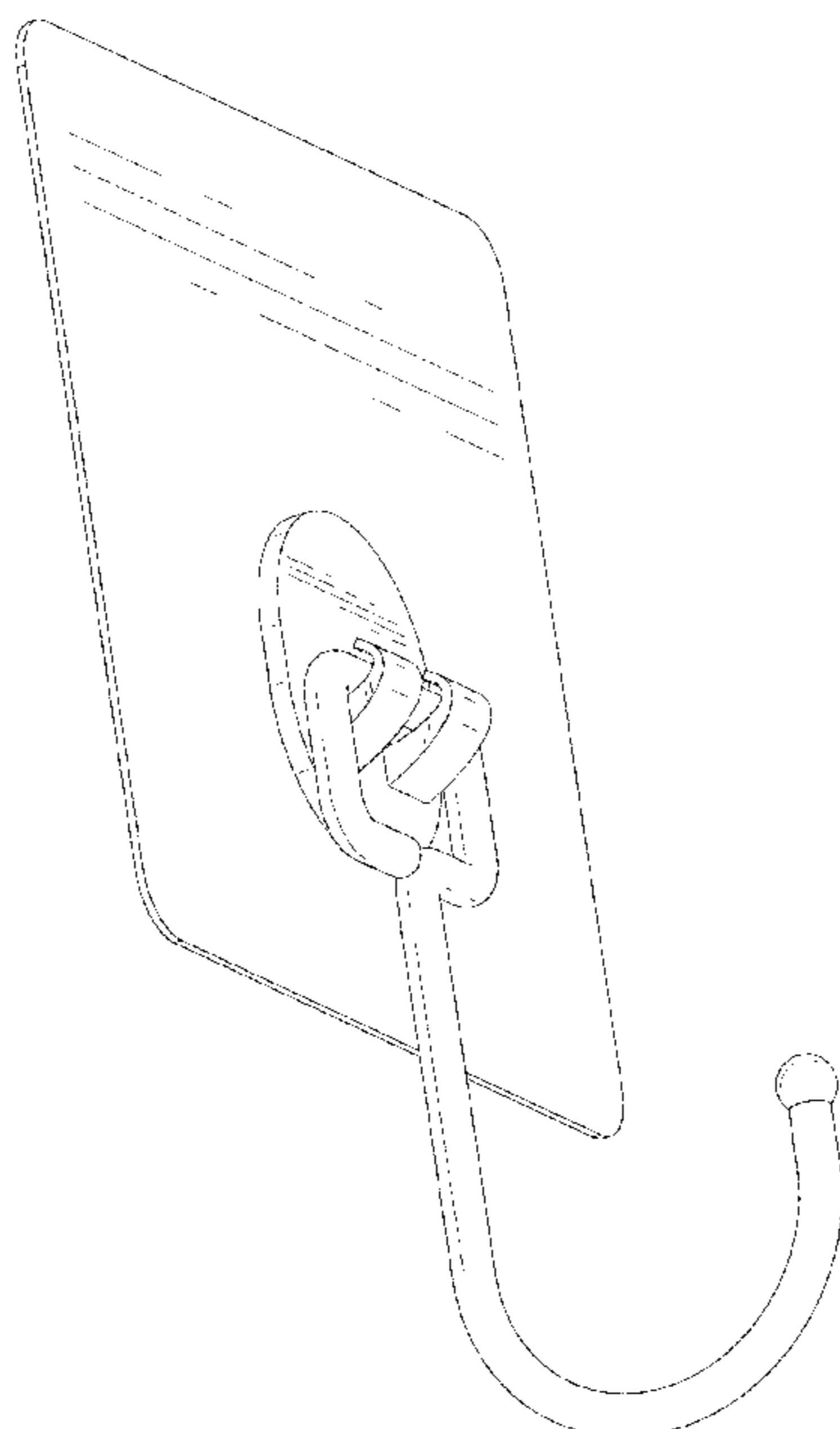
(57) **CLAIM**

The ornamental design for an adhesive hook, as shown and described.

**DESCRIPTION**

FIG. 1 is a perspective view of the adhesive hook showing my new design;  
FIG. 2 is a perspective view thereof from another angle;  
FIG. 3 is a front elevational view thereof;  
FIG. 4 is a rear elevational view thereof;  
FIG. 5 is a left side elevational view thereof;  
FIG. 6 is a right side elevational view thereof;  
FIG. 7 is a top plan view thereof;  
FIG. 8 is a bottom plan view thereof; and,  
FIG. 9 is an exploded perspective view of the adhesive hook.

**1 Claim, 9 Drawing Sheets**



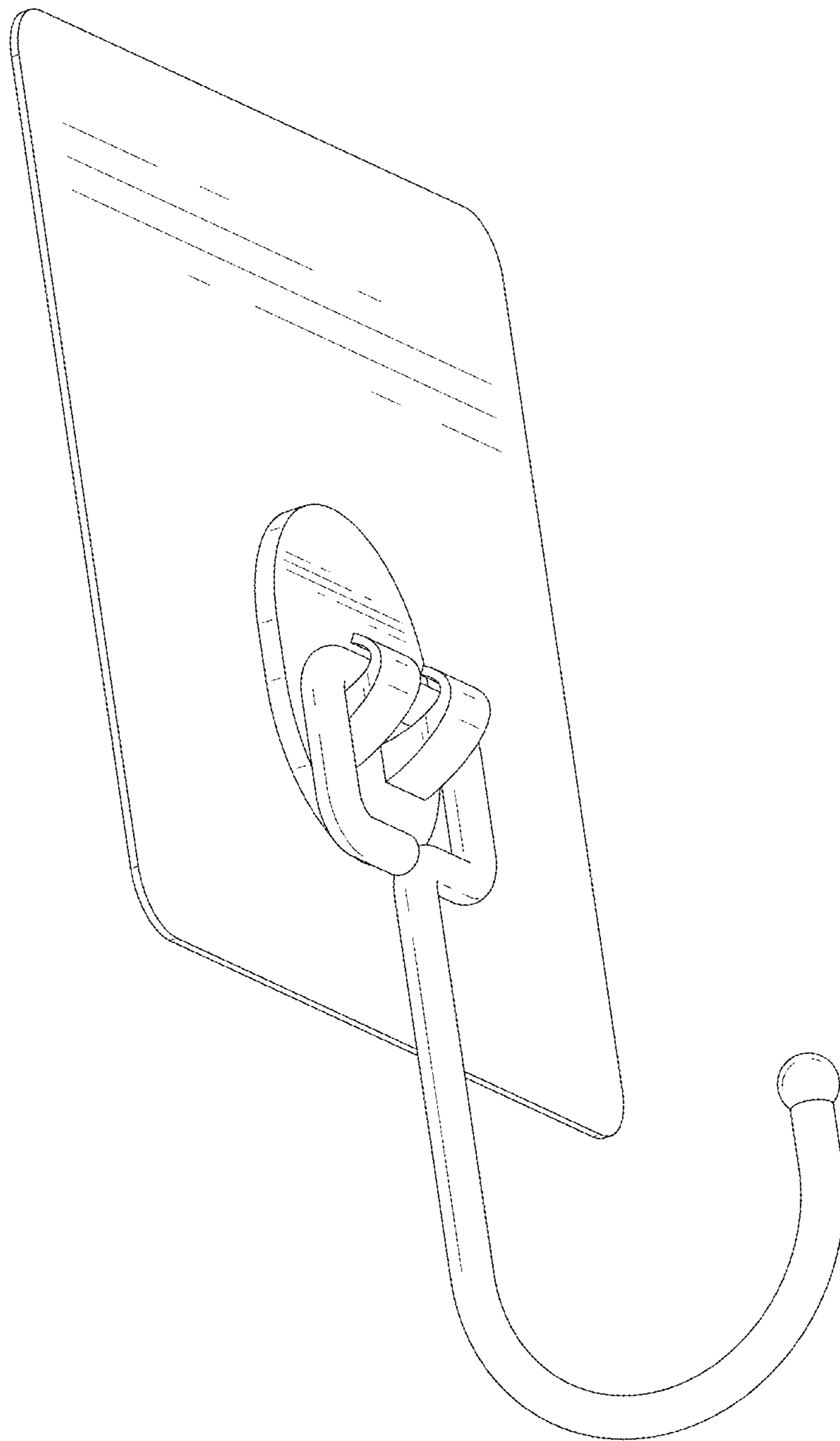


FIG. 1

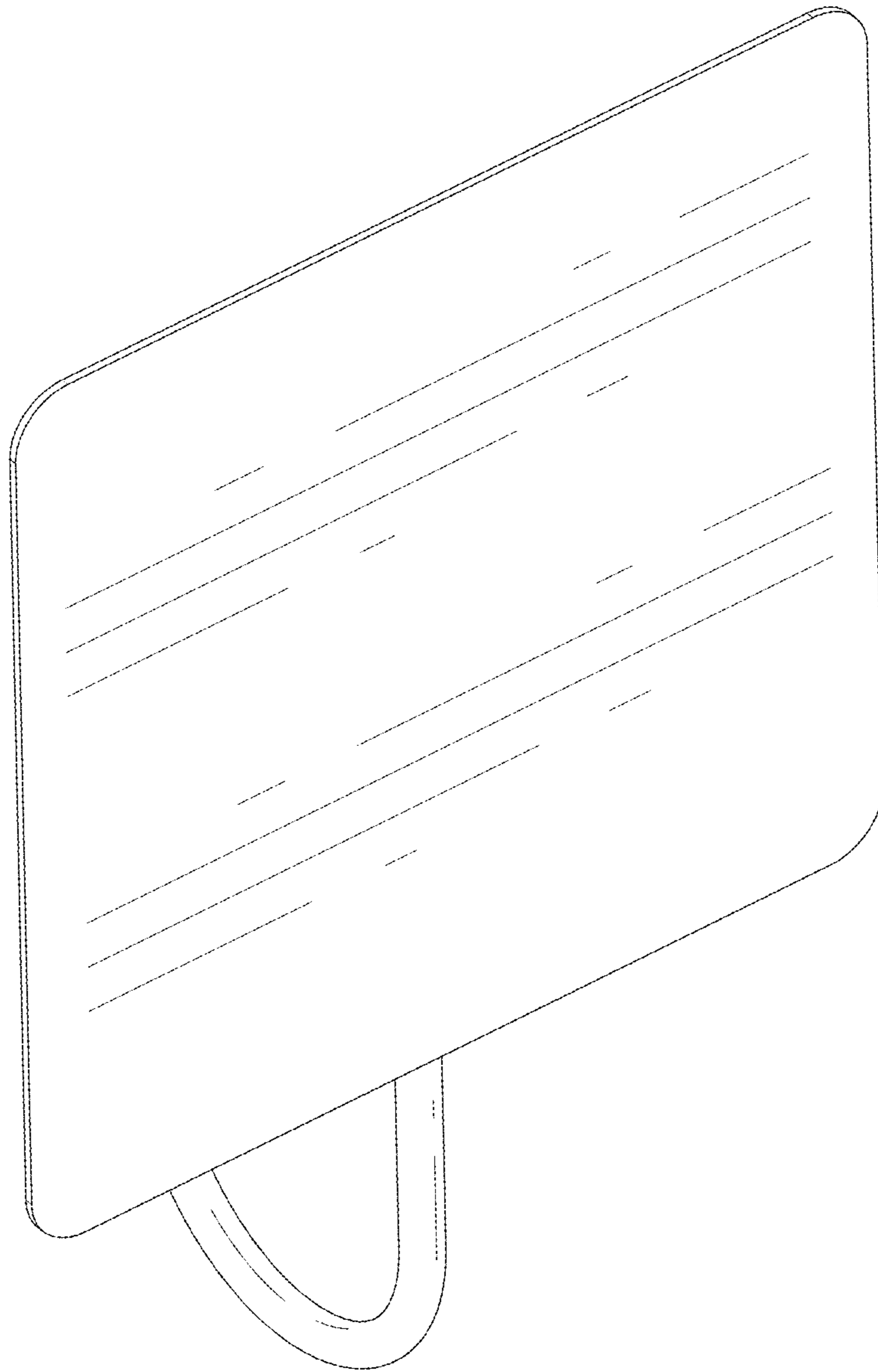


FIG. 2

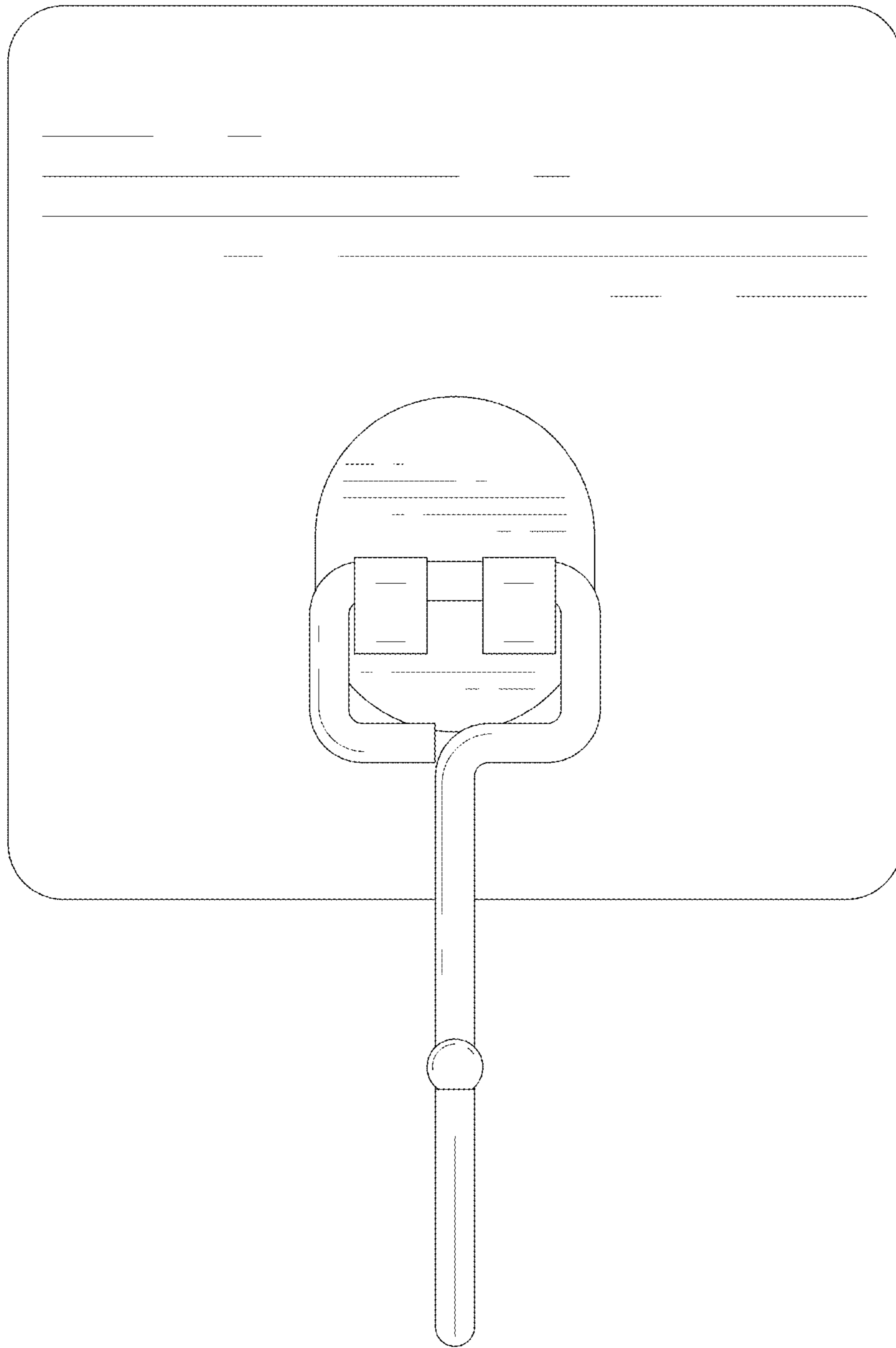


FIG. 3

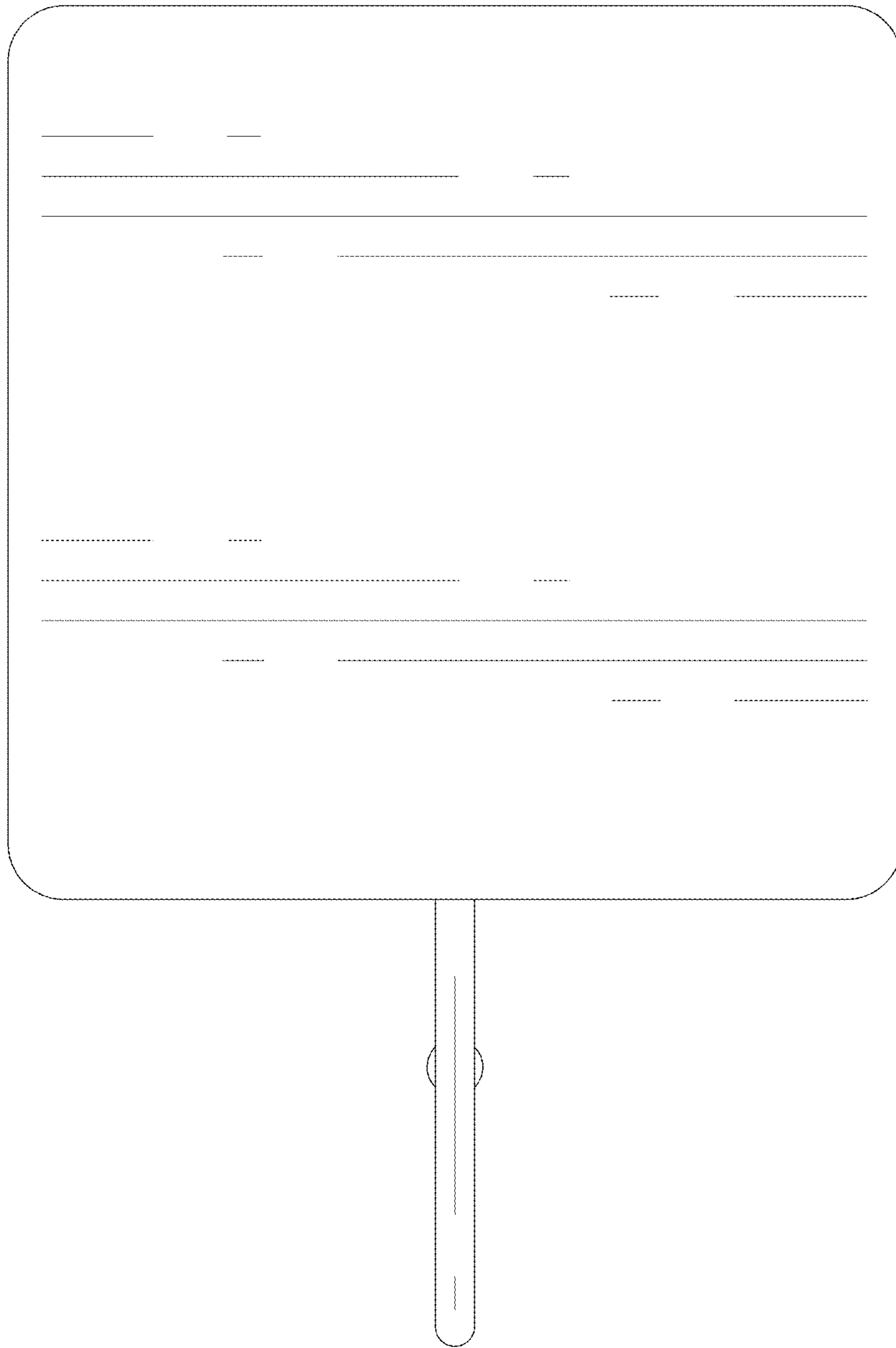


FIG. 4

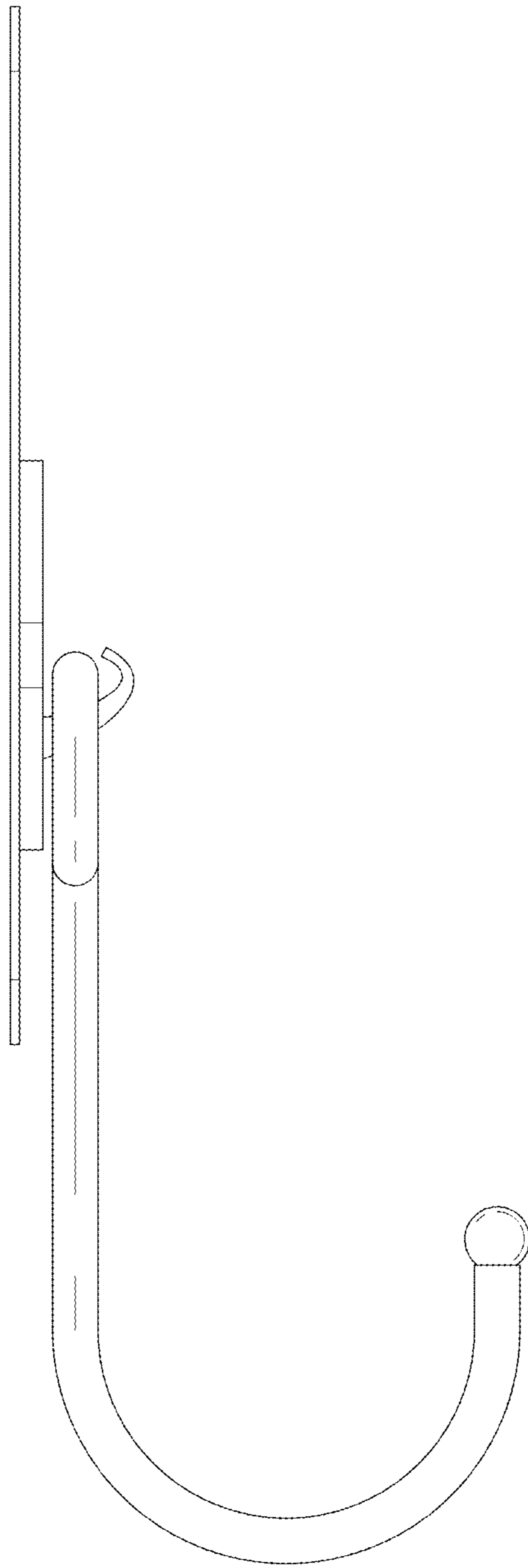


FIG. 5

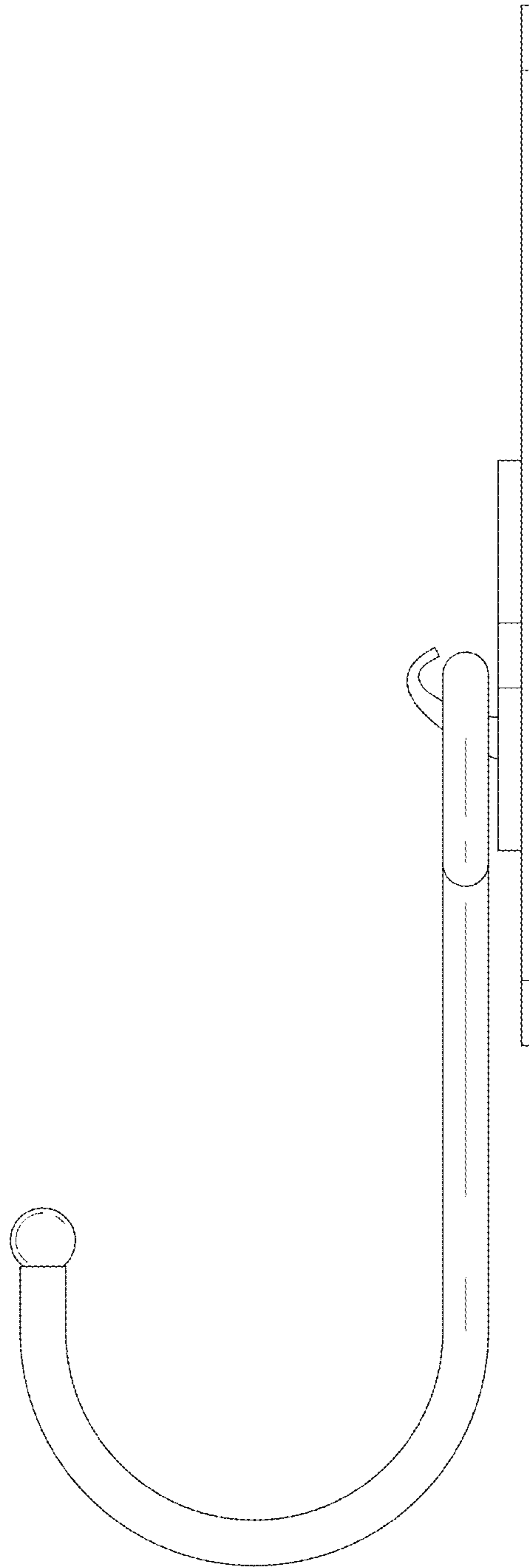


FIG. 6

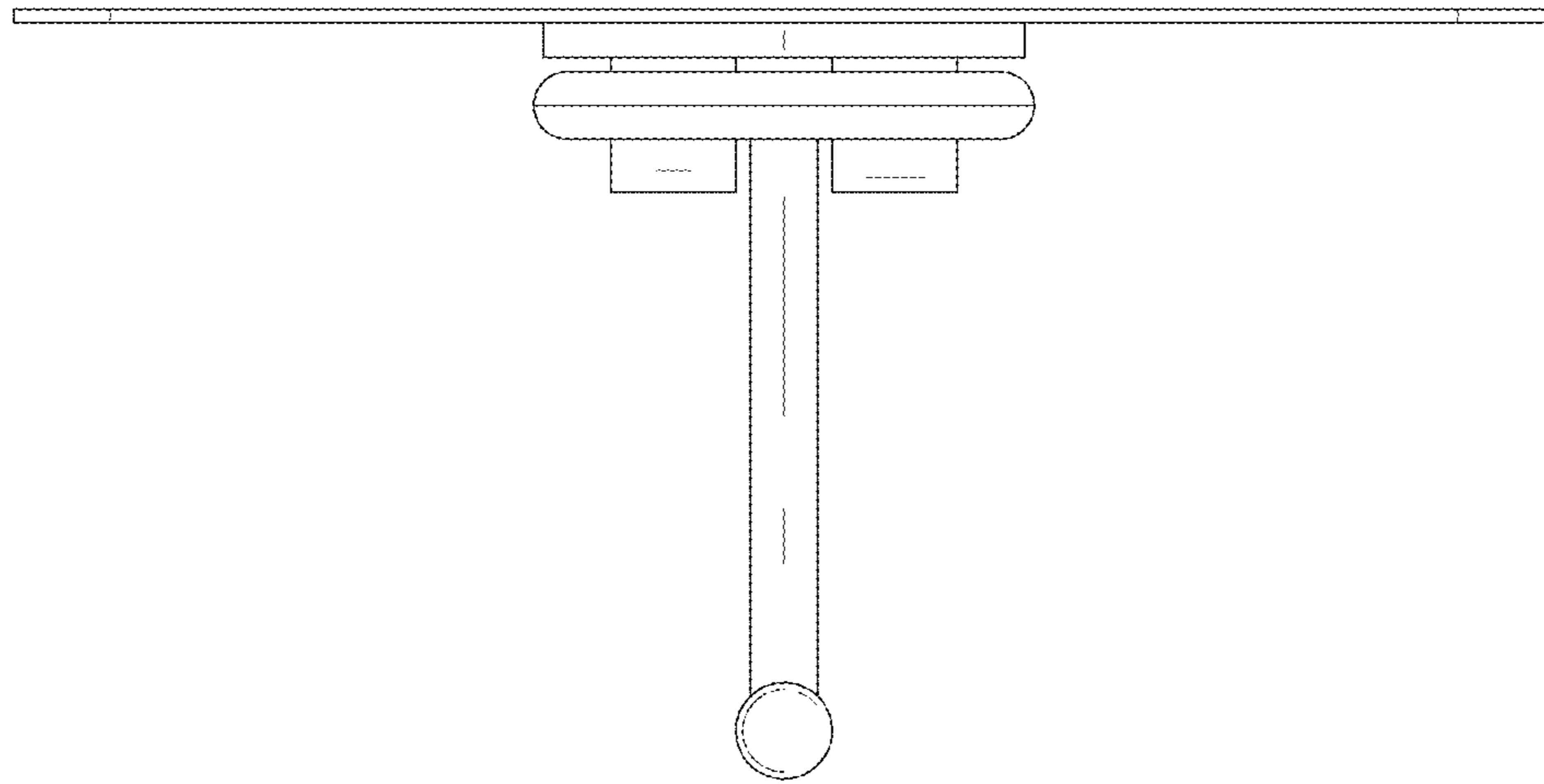


FIG. 7



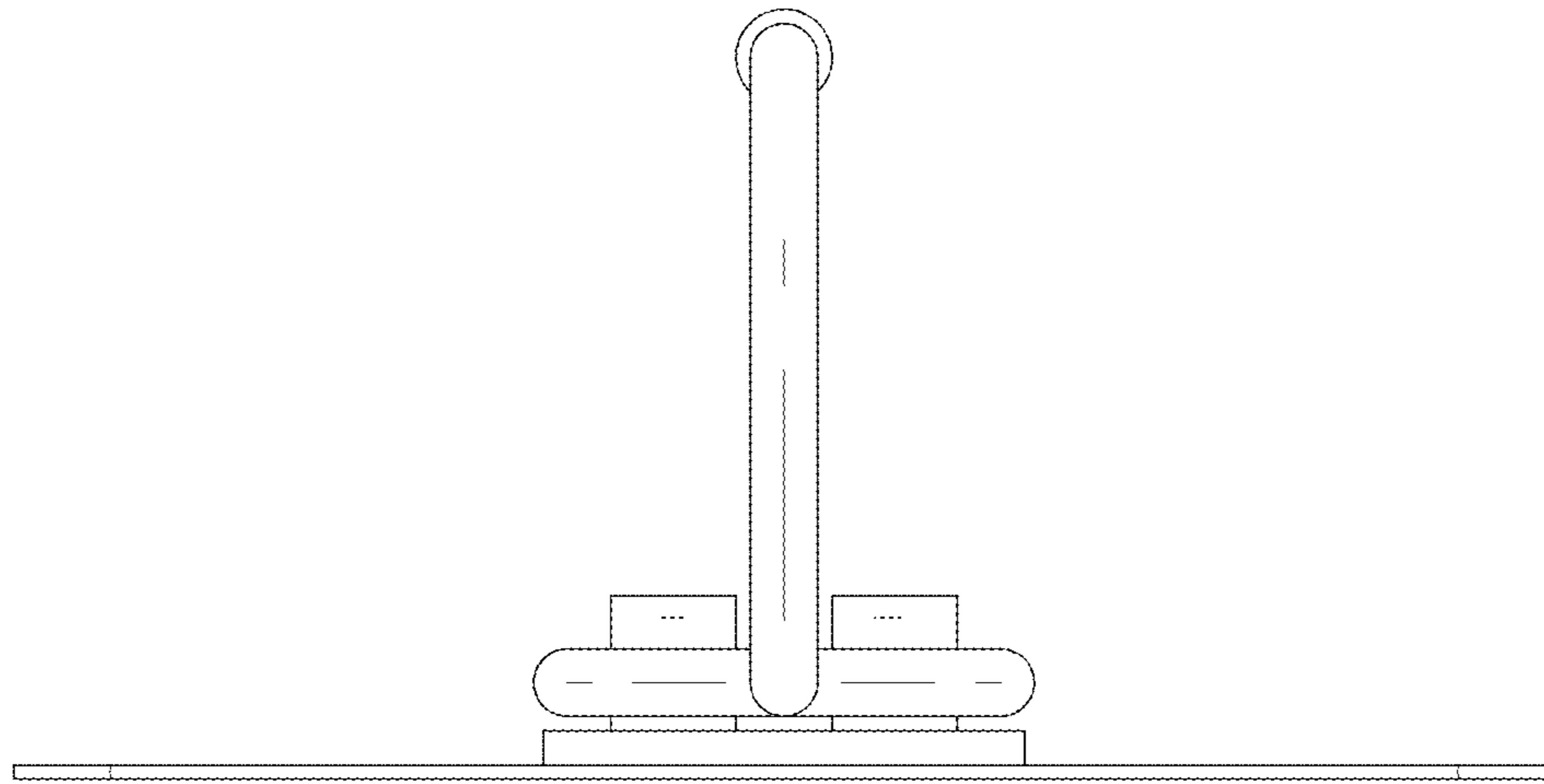


FIG. 8

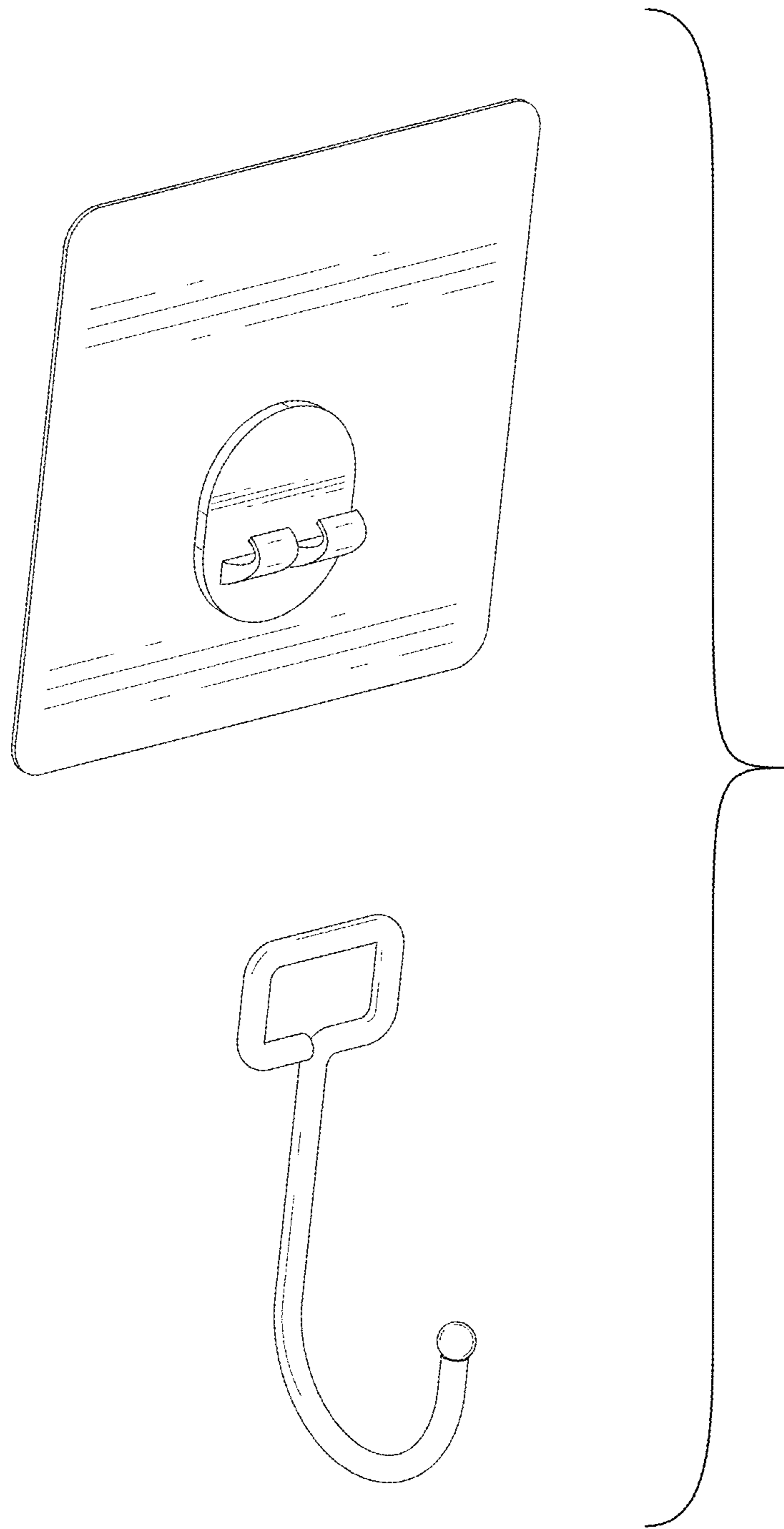


FIG. 9