



US00D980698S

(12) **United States Design Patent**
Yang

(10) **Patent No.:** **US D980,698 S**
(45) **Date of Patent:** **** Mar. 14, 2023**

- (54) **PIPE SUPPORT**
- (71) Applicant: **Guangzhou Issyzone Technology Co., Limited**, Guangzhou (CN)
- (72) Inventor: **Taiping Yang**, Guangzhou (CN)
- (73) Assignee: **Guangzhou Issyzone Technology Co., Limited**, Guangzhou (CN)

D779,477 S *	2/2017	Carnevali	D14/253
D780,743 S *	3/2017	Chun	D14/447
D783,014 S *	4/2017	Chun	D14/253
D797,549 S *	9/2017	Dew	D8/394
D824,750 S *	8/2018	Carnevali	D8/355
D863,206 S *	10/2019	Cao	D12/415
D872,727 S *	1/2020	Chung	D12/415
D911,158 S *	2/2021	Jenkins	D8/382
D970,326 S *	11/2022	Wu	D8/72
2015/0028075 A1 *	1/2015	Khatchatrian	B60R 11/0258 224/483

(**) Term: **15 Years**

(21) Appl. No.: **29/861,341**

(22) Filed: **Nov. 29, 2022**

(51) **LOC (14) Cl.** **08-05**

(52) **U.S. Cl.**
USPC **D8/355**

(58) **Field of Classification Search**
USPC D8/72, 349, 354, 355, 373, 380, 394,
D8/395; D14/432, 433, 483, 217, 251,
D14/447; D12/415, 416, 417, 418, 420,
D12/400, 223, 114
CPC F16M 11/123; F16M 11/10; F16M 11/06;
B62J 9/27; B62J 11/00
See application file for complete search history.

(56) **References Cited**

U.S. PATENT DOCUMENTS

D260,235 S *	8/1981	Anderson	D8/394
D306,396 S *	3/1990	Brushaber	D8/355
D499,954 S *	12/2004	Brushaber	D8/355
8,011,627 B2 *	9/2011	Andkjar	B62J 11/00 248/689
D717,307 S *	11/2014	Chun	D14/447
D736,073 S *	8/2015	Eriksson	D8/394
D741,151 S *	10/2015	Iseminger	
D762,110 S *	7/2016	Olson	D8/394
D777,021 S *	1/2017	Dew	D8/394

FOREIGN PATENT DOCUMENTS

CN	307345592	*	5/2022
JP	D1290860	*	1/2007
KR	301183812.0000	*	9/2022

* cited by examiner

Primary Examiner — Sheryl Lane

Assistant Examiner — Ieisha N Price

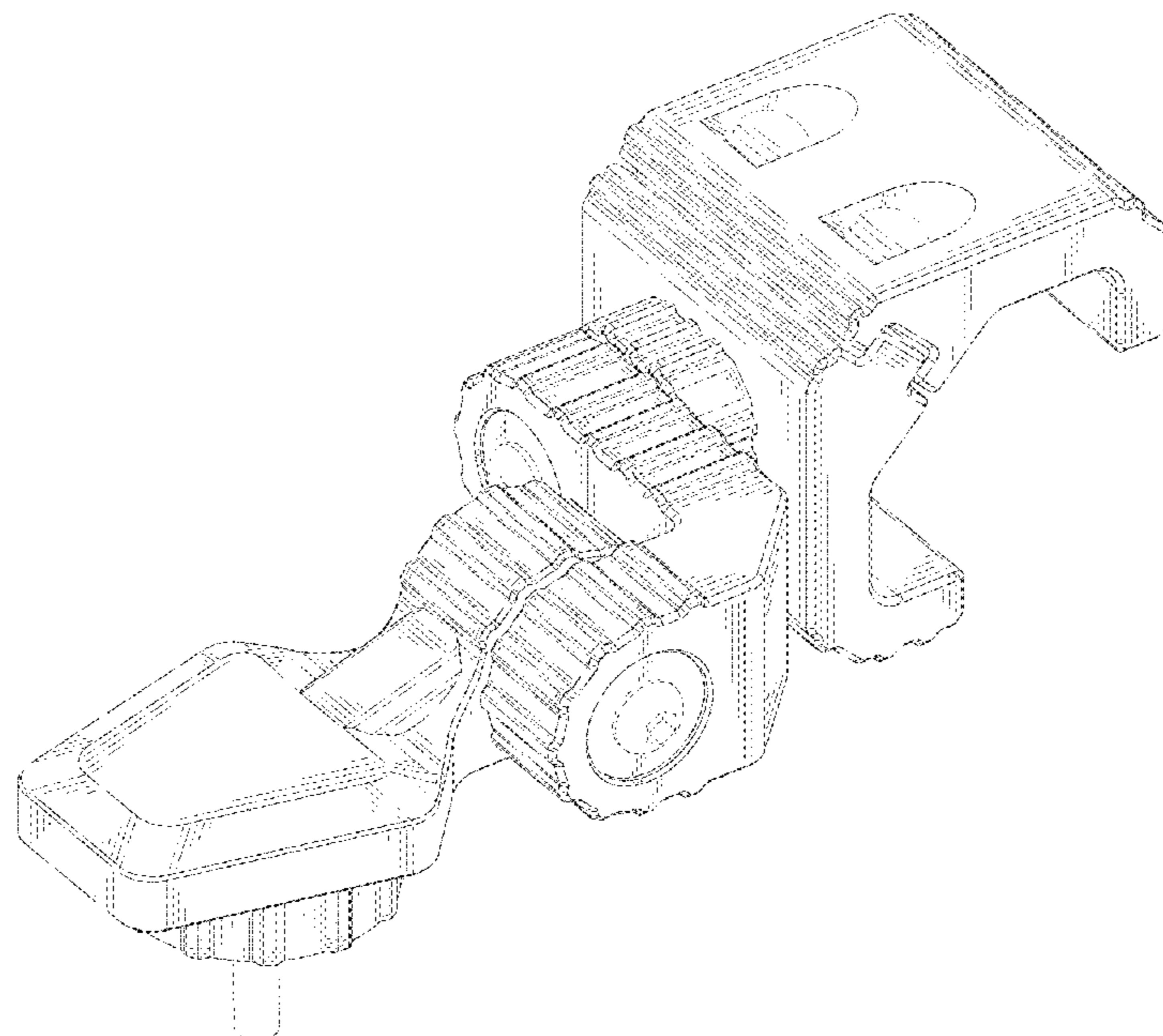
(57) **CLAIM**

The ornamental design for a pipe support, as shown and described.

DESCRIPTION

FIG. 1 is a front and bottom perspective view of a pipe support, showing my new design;
FIG. 2 is a rear and top perspective view thereof;
FIG. 3 is a front elevation view thereof;
FIG. 4 is a rear elevation view thereof;
FIG. 5 is a left side elevation view thereof;
FIG. 6 is a right side elevation view thereof;
FIG. 7 is a top plan view thereof; and,
FIG. 8 is a bottom plan view thereof.
The broken lines in the figures illustrate portions of the pipe support that form no part of the claimed design.

1 Claim, 8 Drawing Sheets



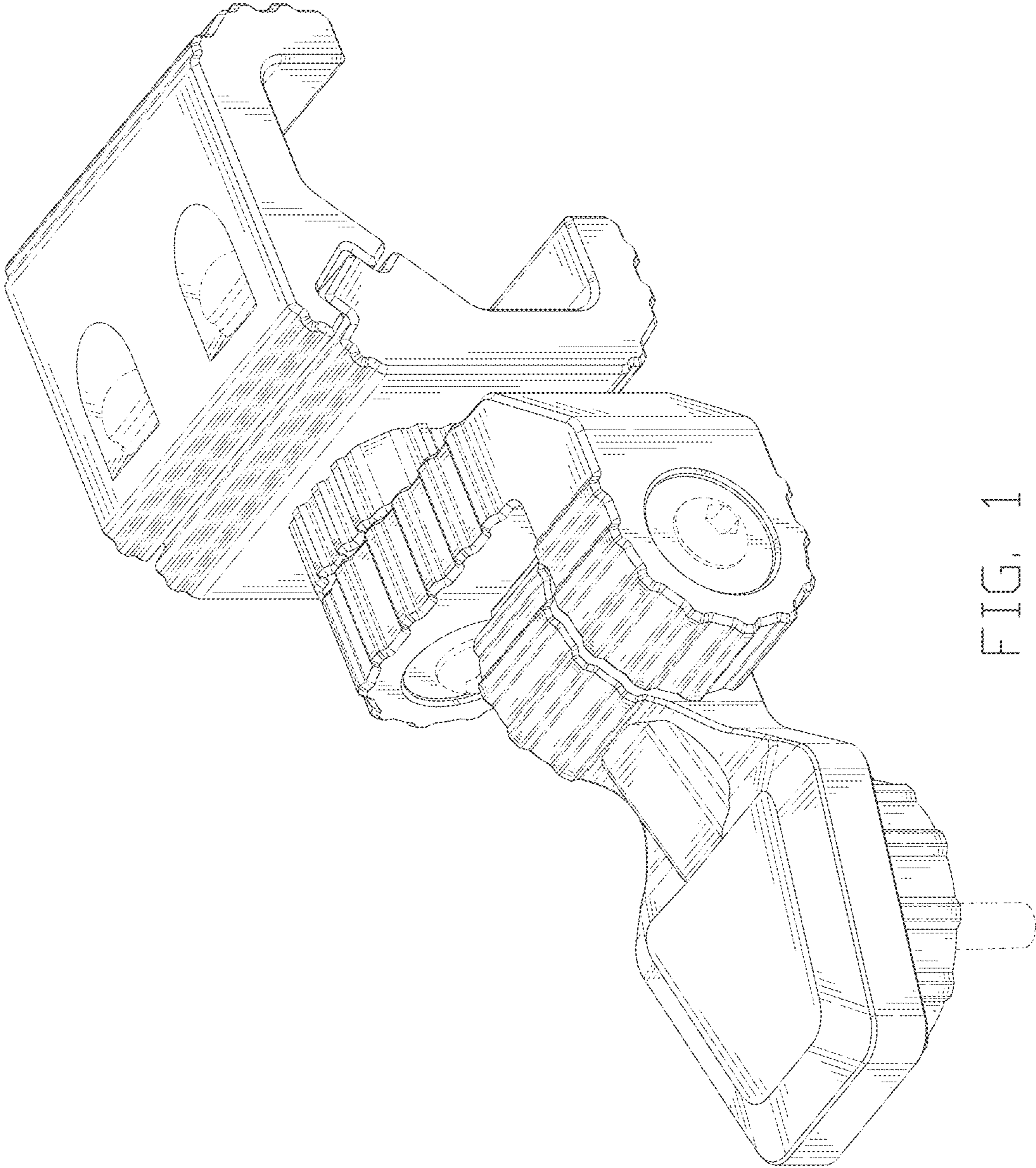


FIG. 1

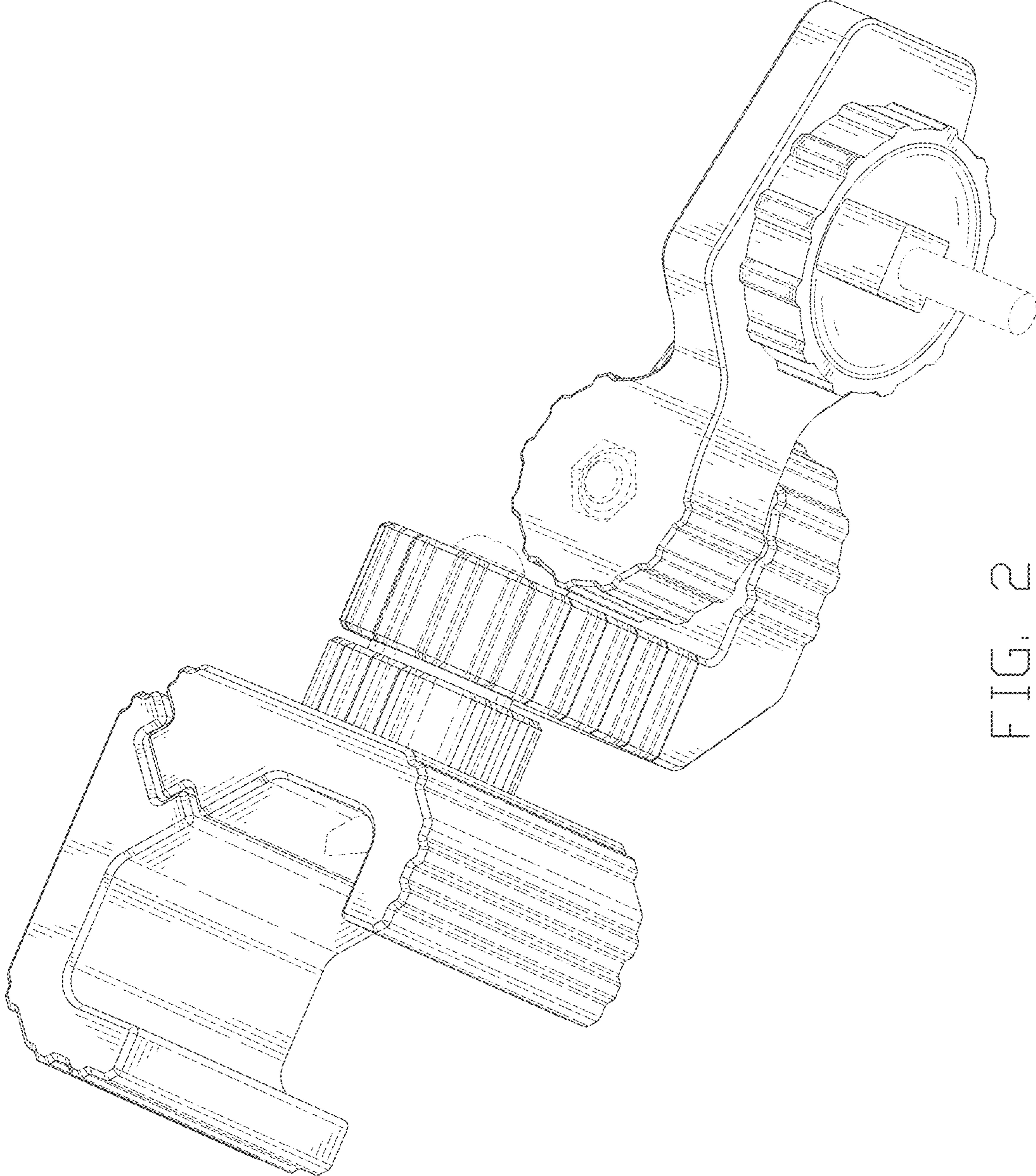


FIG. 2

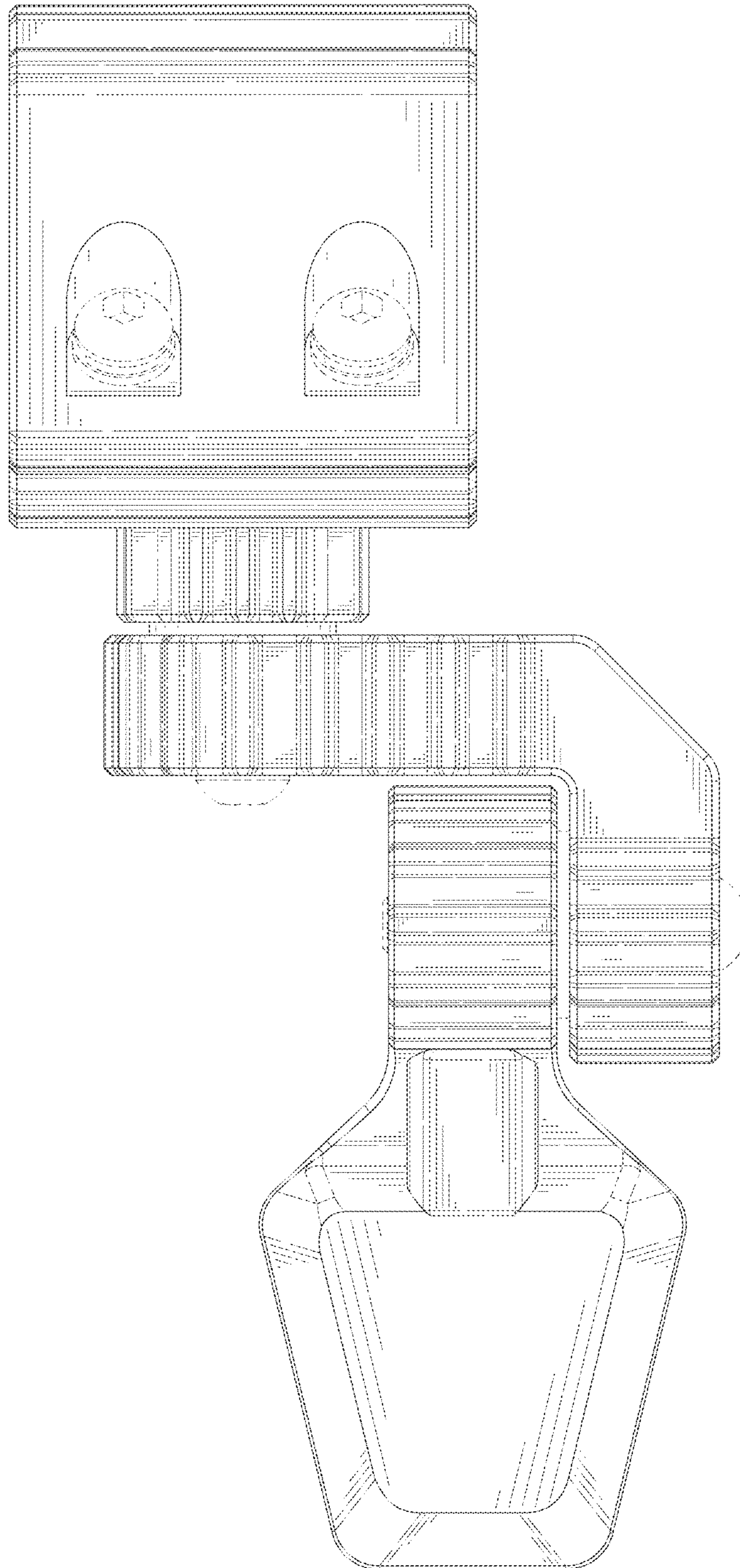


FIG. 3

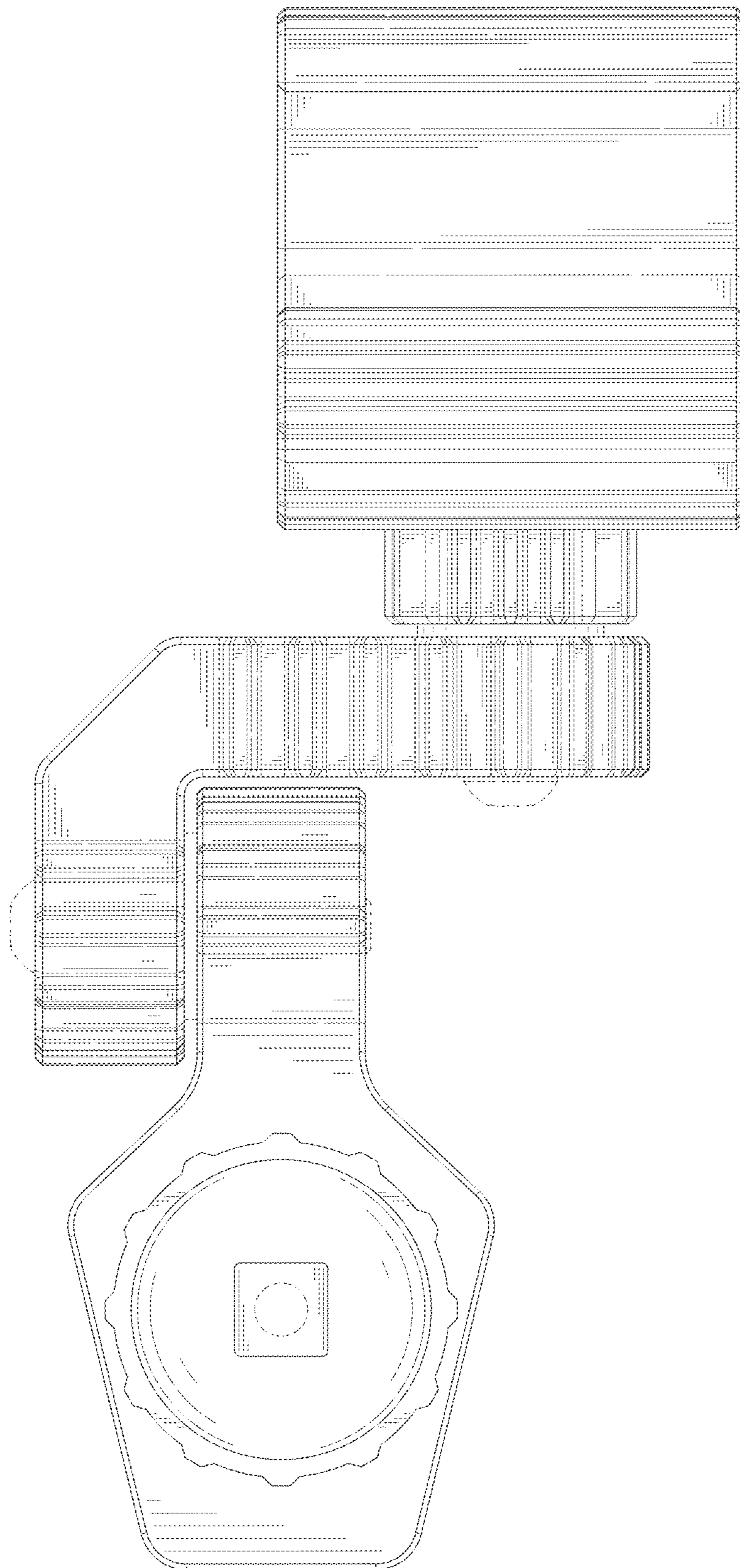


FIG. 4

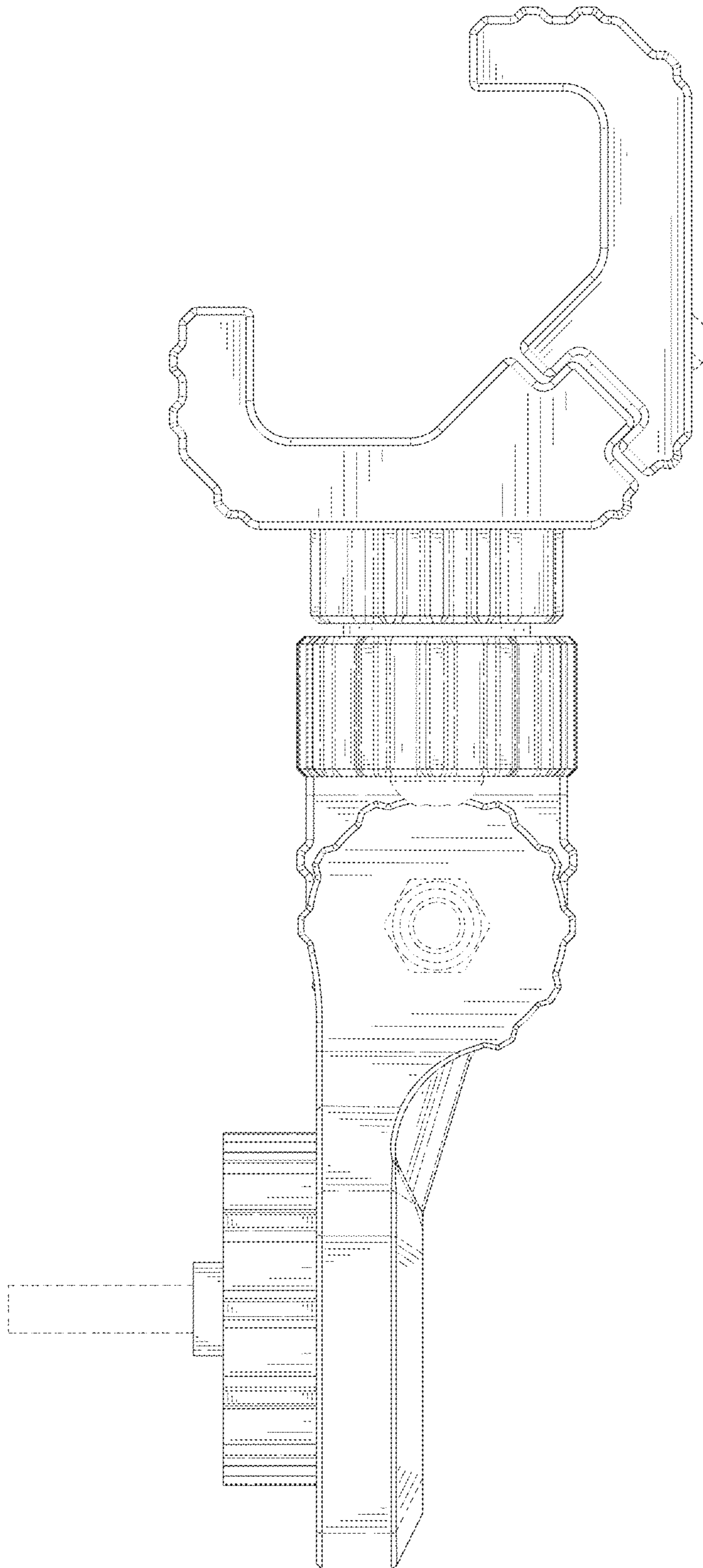


FIG. 5

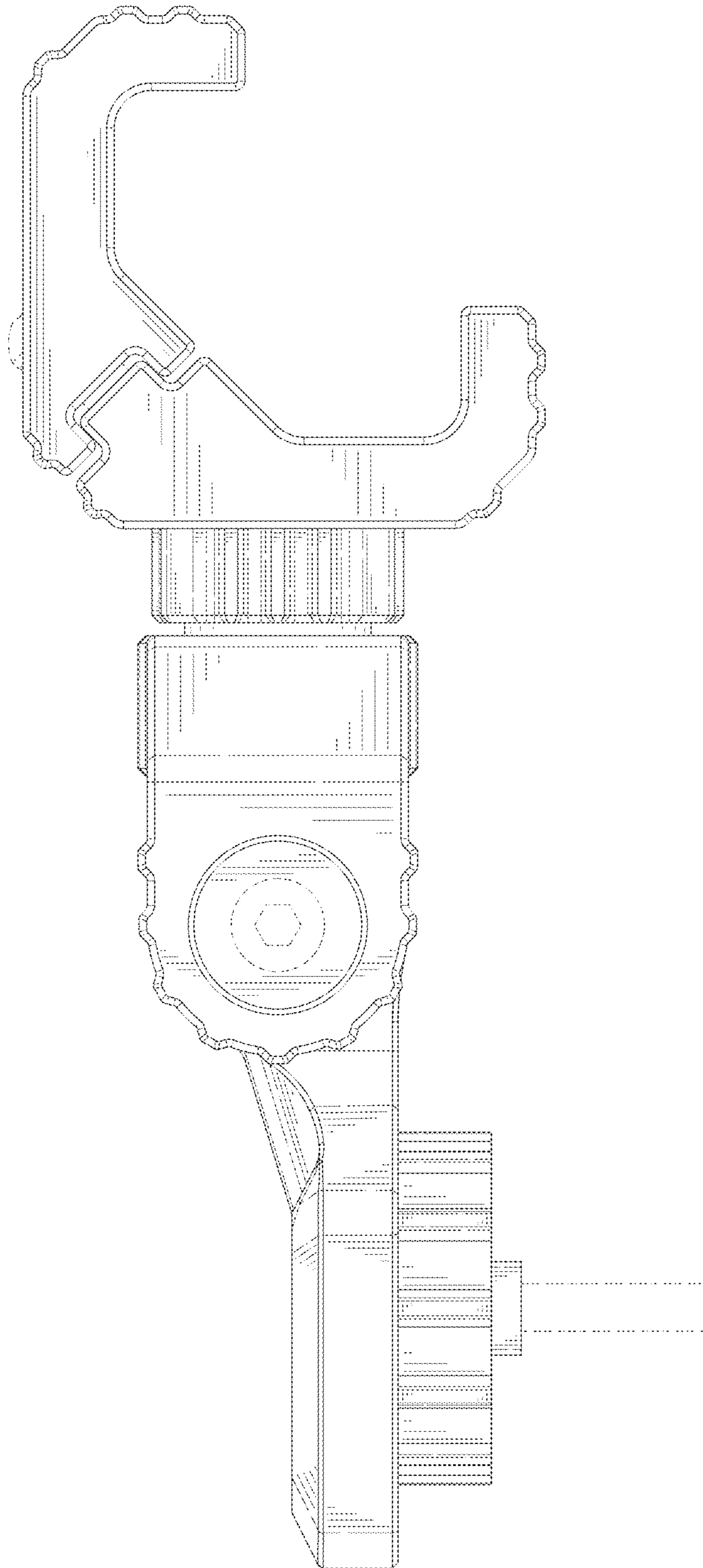


FIG. 6

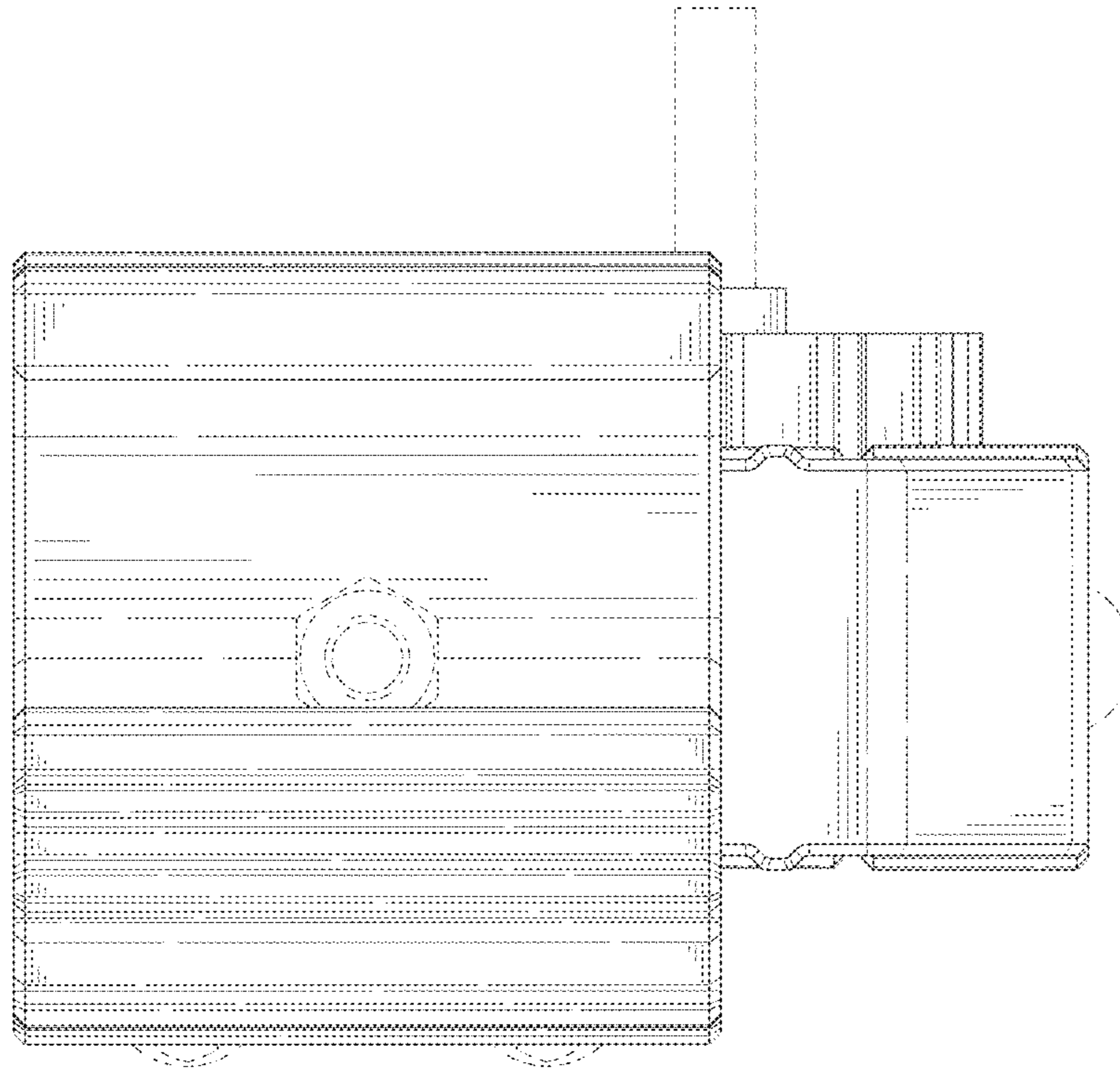


FIG. 7

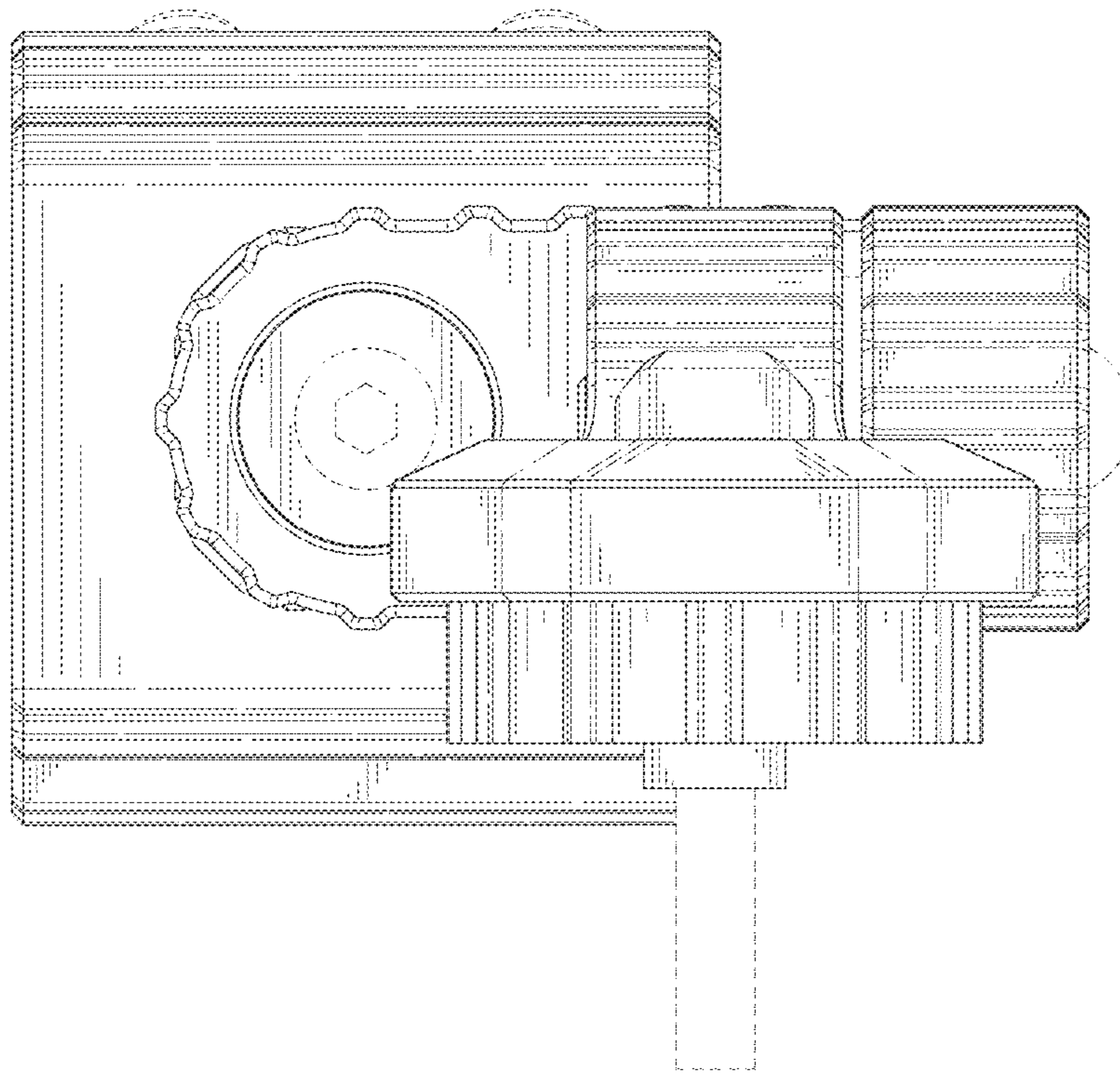


FIG. 8