



US00D980697S

(12) **United States Design Patent**
Yang

(10) **Patent No.:** **US D980,697 S**

(45) **Date of Patent:** **** Mar. 14, 2023**

(54) **MULTI-FUNCTION TUBE CLAMP SUPPORT**

(71) Applicant: **Guangzhou Issyzone Technology Co., Limited**, Guangzhou (CN)

(72) Inventor: **Taiping Yang**, Guangzhou (CN)

(73) Assignee: **Guangzhou Issyzone Technology Co., Limited**, Guangzhou (CN)

(**) Term: **15 Years**

(21) Appl. No.: **29/861,156**

(22) Filed: **Nov. 28, 2022**

(51) **LOC (14) Cl.** **08-05**

(52) **U.S. Cl.**
USPC **D8/355**

(58) **Field of Classification Search**
USPC D8/72, 349, 354, 355, 373, 380, 394,
D8/395; D14/432, 433, 483, 217, 251,
D14/447; D12/415, 416, 417, 418, 420,
D12/400, 223, 114

CPC F16M 11/123; F16M 11/10; F16M 11/06;
B62J 9/27; B62J 11/00

See application file for complete search history.

(56) **References Cited**

U.S. PATENT DOCUMENTS

| | | | | |
|----------------|---------|-----------|-------|-----------------------|
| D260,235 S * | 8/1981 | Anderson | | D8/394 |
| D306,396 S * | 3/1990 | Brushaber | | D8/355 |
| D499,954 S * | 12/2004 | Brushaber | | D8/355 |
| D625,171 S | 10/2010 | Kiely | | |
| 8,011,627 B2 * | 9/2011 | Andkjar | | B62J 11/00 248/689 |
| D717,307 S * | 11/2014 | Chun | | D14/447 |
| D736,073 S * | 8/2015 | Eriksson | | D8/394 |
| D762,110 S * | 7/2016 | Olson | | D8/394 |
| D777,021 S * | 1/2017 | Dew | | D8/394 |
| D779,477 S * | 2/2017 | Carnevali | | D14/253 |

| | | | | |
|-------------------|---------|--------------|-------|-------------------------|
| D780,743 S * | 3/2017 | Chun | | D14/447 |
| D783,014 S * | 4/2017 | Chun | | D14/253 |
| D797,549 S * | 9/2017 | Dew | | D8/394 |
| D824,750 S * | 8/2018 | Carnevali | | D8/355 |
| D863,206 S * | 10/2019 | Cao | | D12/415 |
| D872,727 S * | 1/2020 | Chung | | D12/415 |
| D911,158 S * | 2/2021 | Jenkins | | D8/382 |
| D970,326 S * | 11/2022 | Wu | | D8/72 |
| 2015/0028075 A1 * | 1/2015 | Khatchatrian | | B60R 11/0258 224/483 |

FOREIGN PATENT DOCUMENTS

| | | | |
|----|----------------|---|--------|
| CN | 307345592 | * | 5/2022 |
| JP | D1290860 | * | 1/2007 |
| KR | 301183812.0000 | * | 9/2022 |

* cited by examiner

Primary Examiner — Sheryl Lane

Assistant Examiner — Ieisha N Price

(57) **CLAIM**

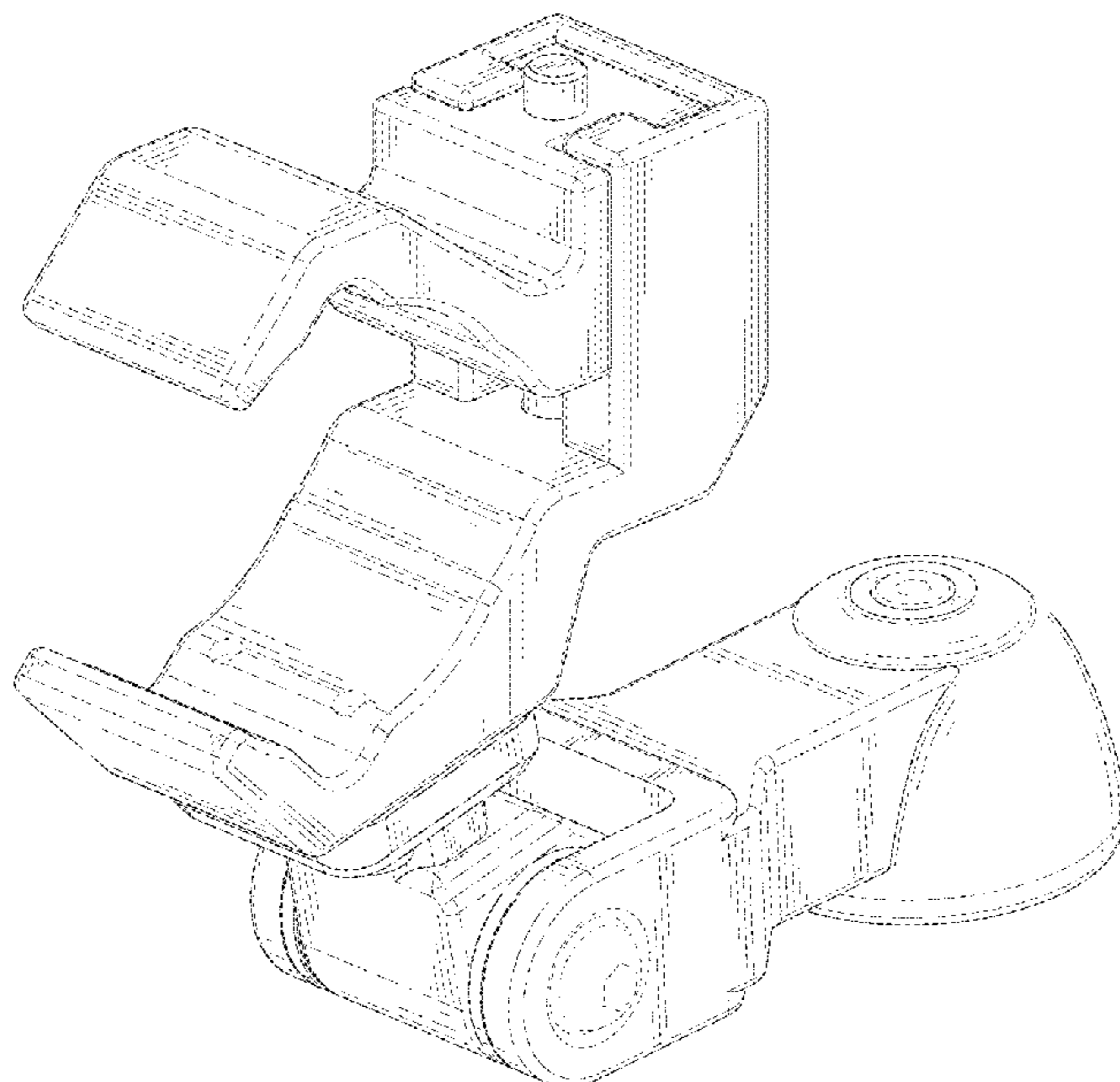
The ornamental design for a multi-function tube clamp support, as shown and described.

DESCRIPTION

FIG. 1 is a front and top perspective view of a multi-function tube clamp support, showing my new design; FIG. 2 is a rear and bottom perspective view thereof; FIG. 3 is a front elevation view thereof; FIG. 4 is a rear elevation view thereof; FIG. 5 is a left side elevation view thereof; FIG. 6 is a right side elevation view thereof; FIG. 7 is a top plan view thereof; and, FIG. 8 is a bottom plan view thereof.

The dashed lines in the figures illustrate portions of the multi-function tube clamp support that form no part of the claimed design.

1 Claim, 8 Drawing Sheets



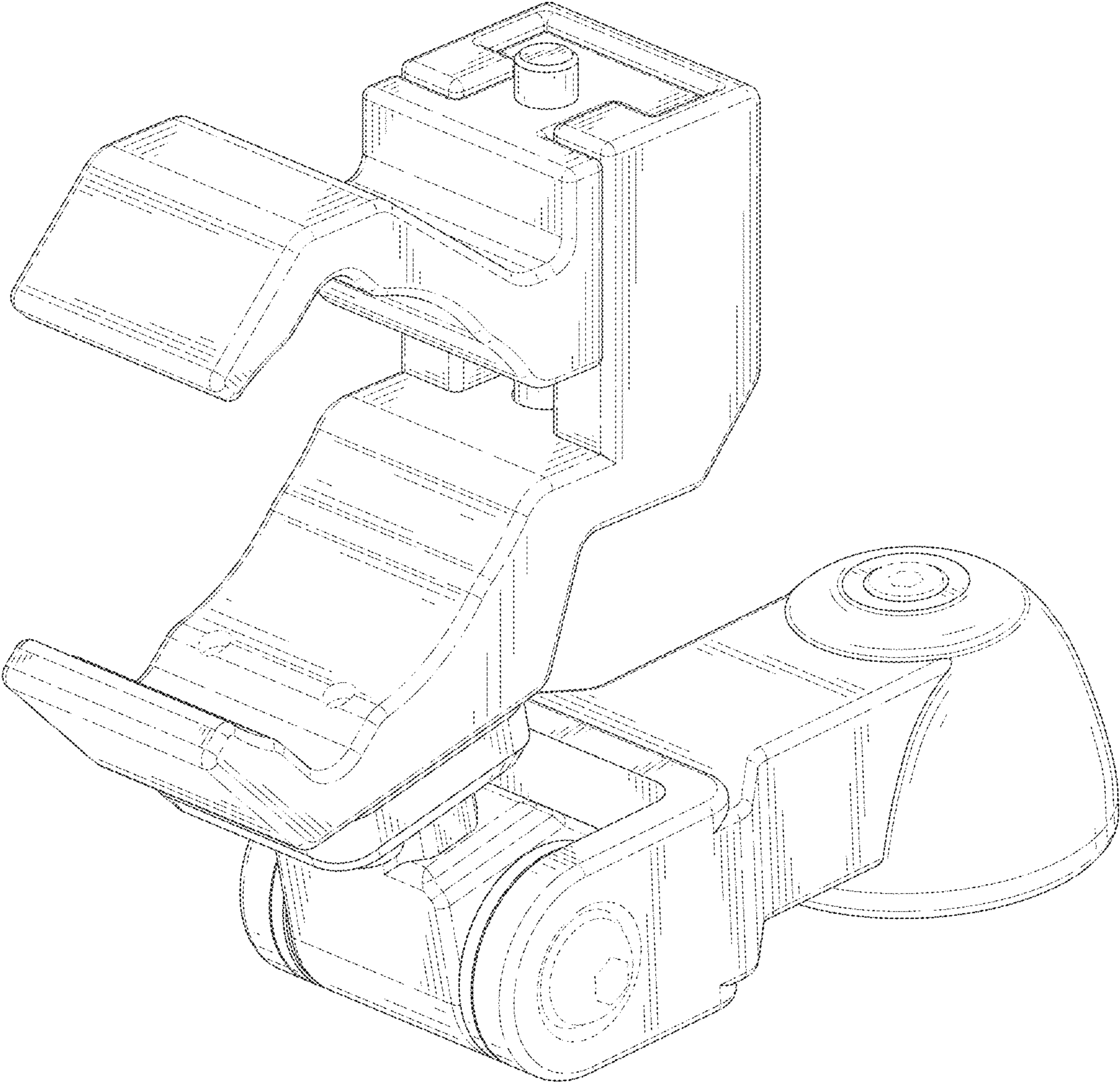


FIG. 1

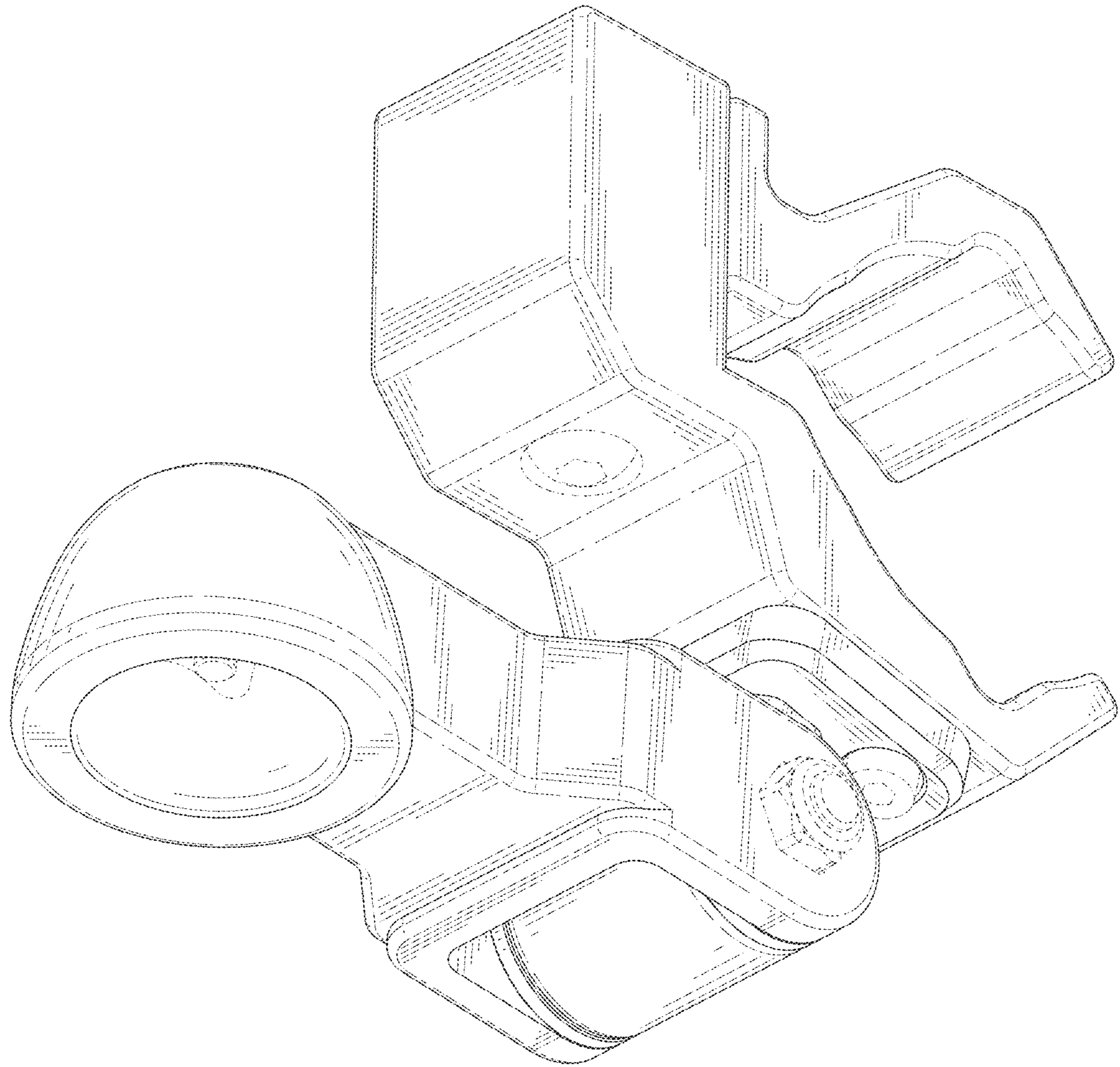


FIG. 2

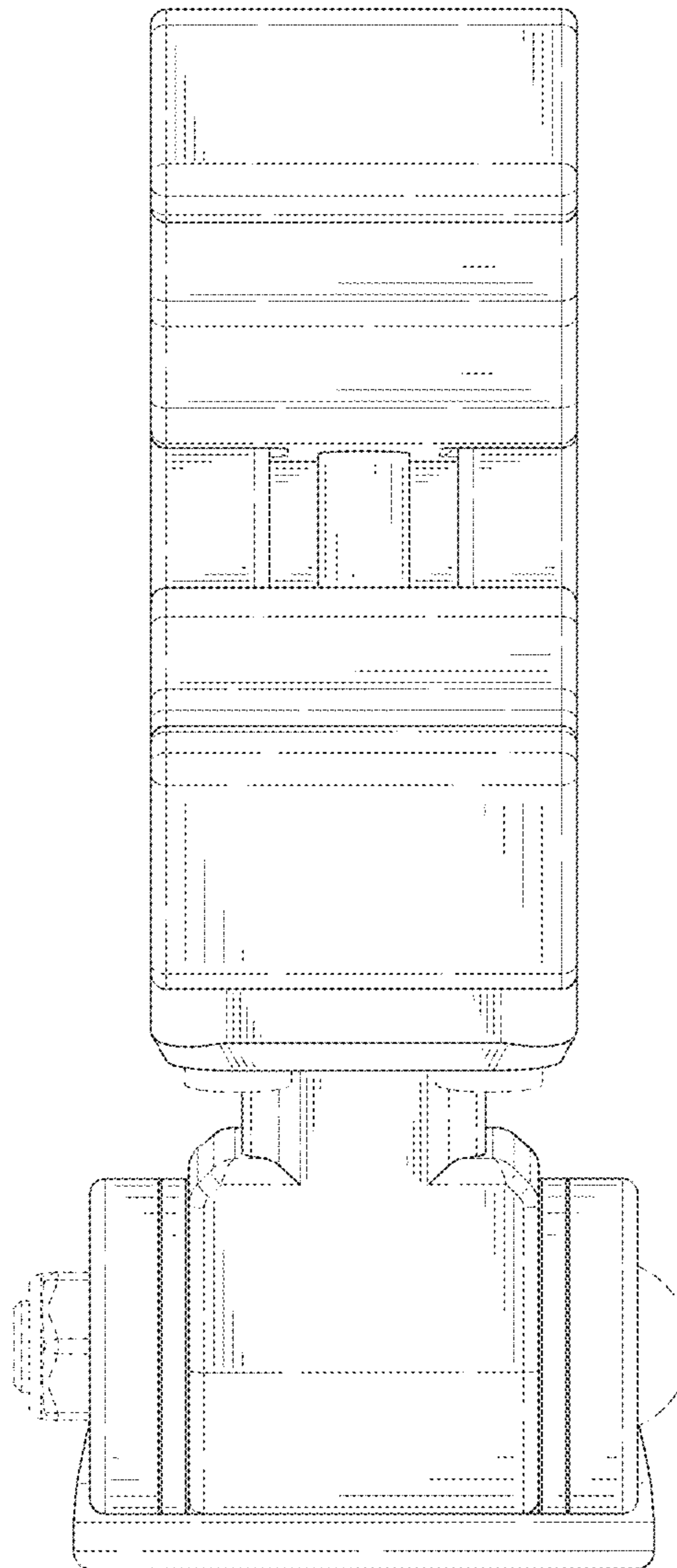


FIG. 3

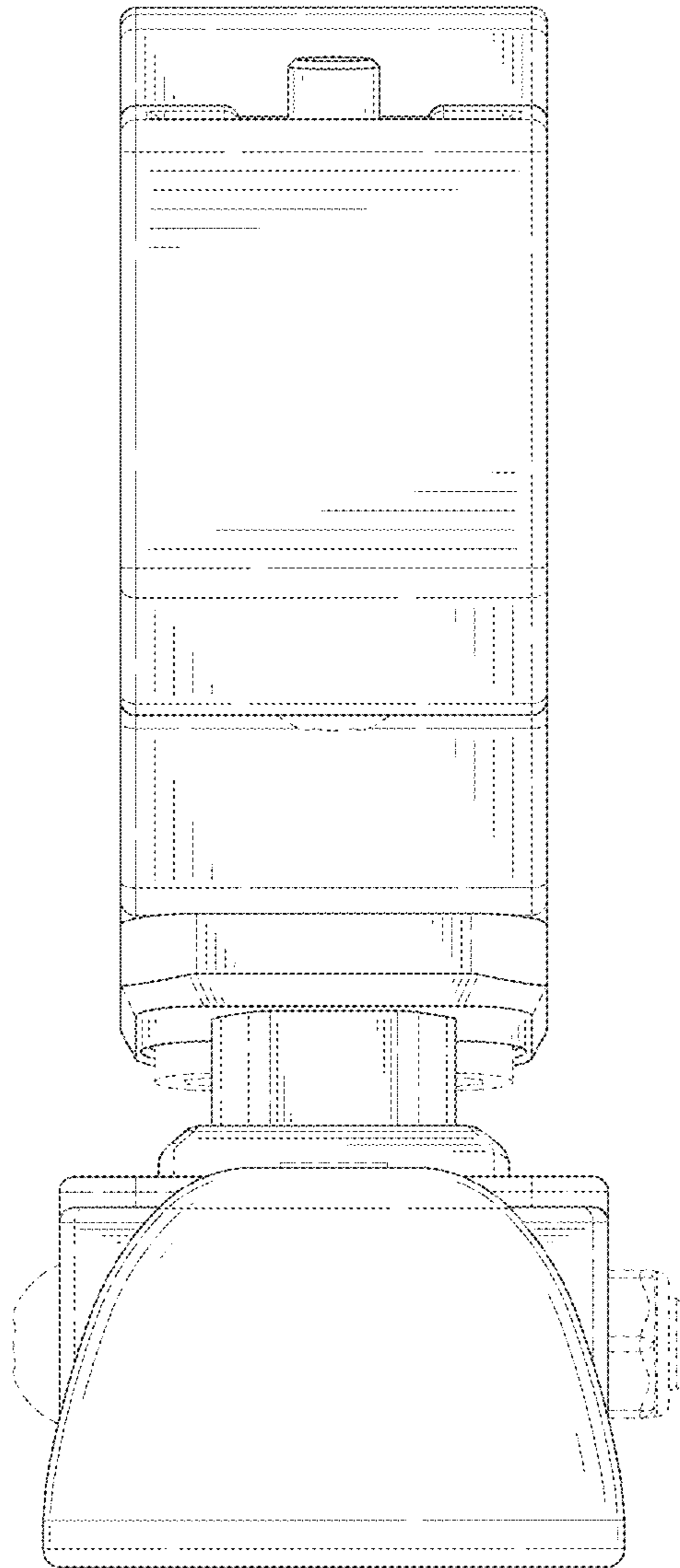


FIG. 4

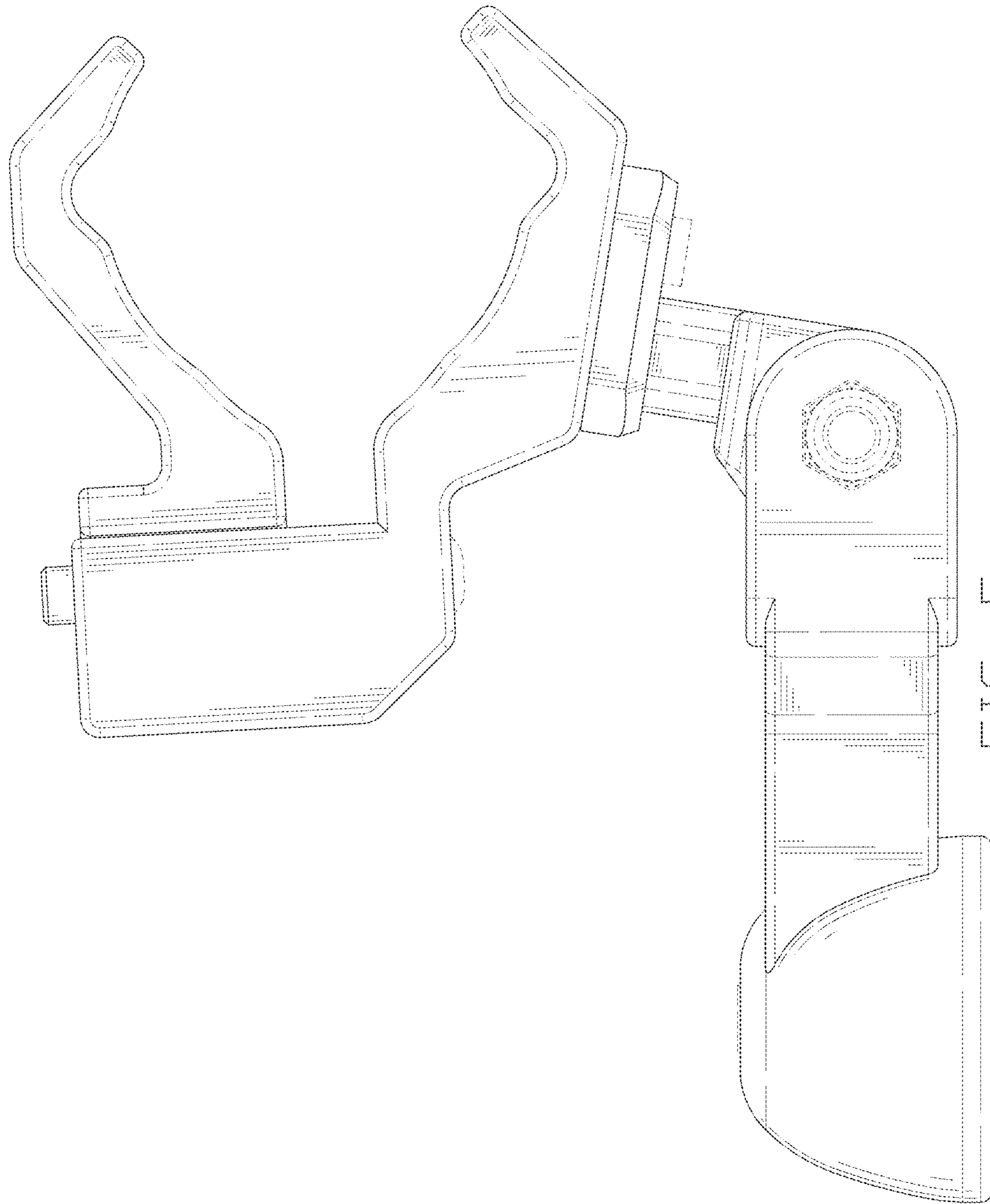


FIG. 5

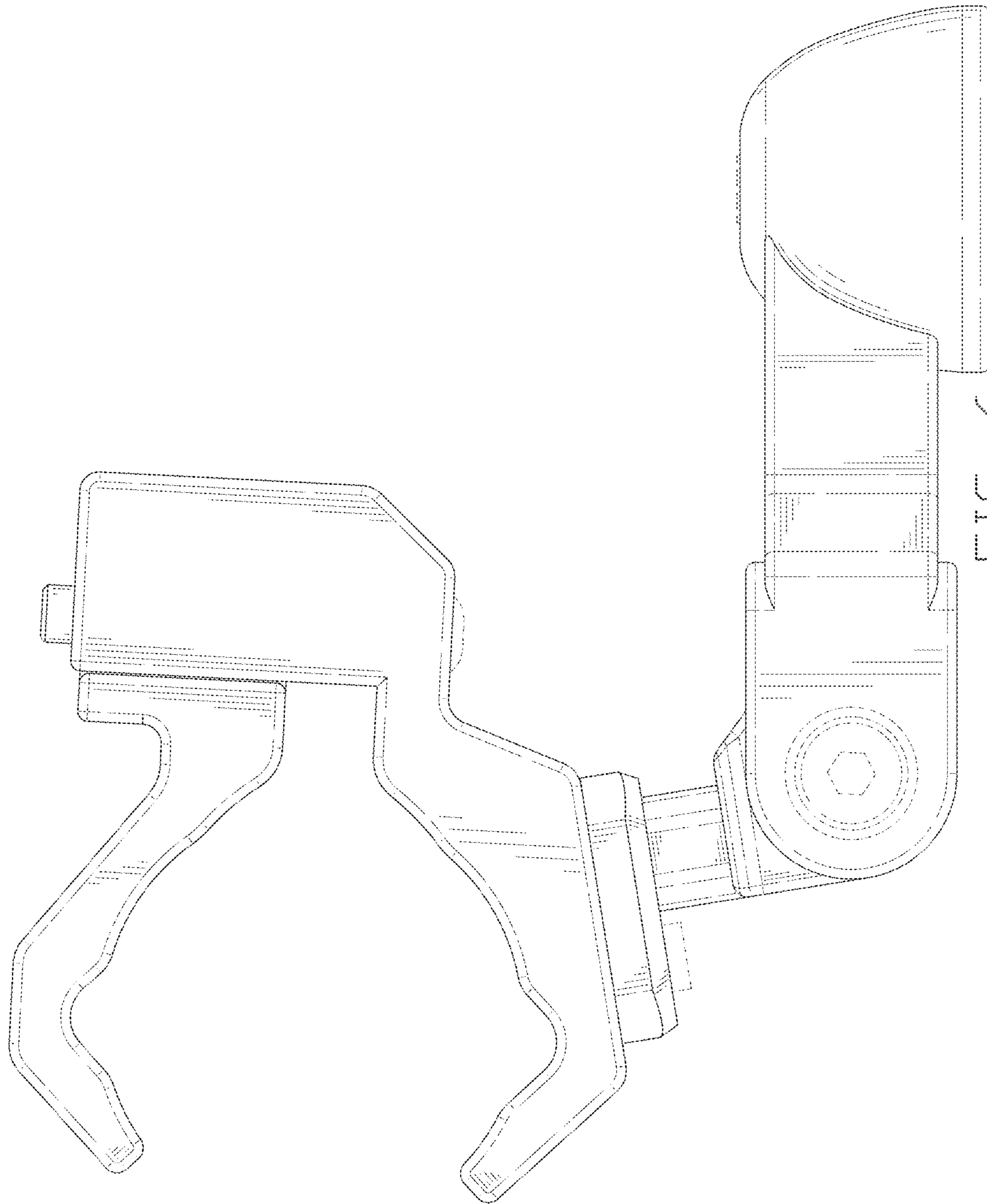


FIG. 6

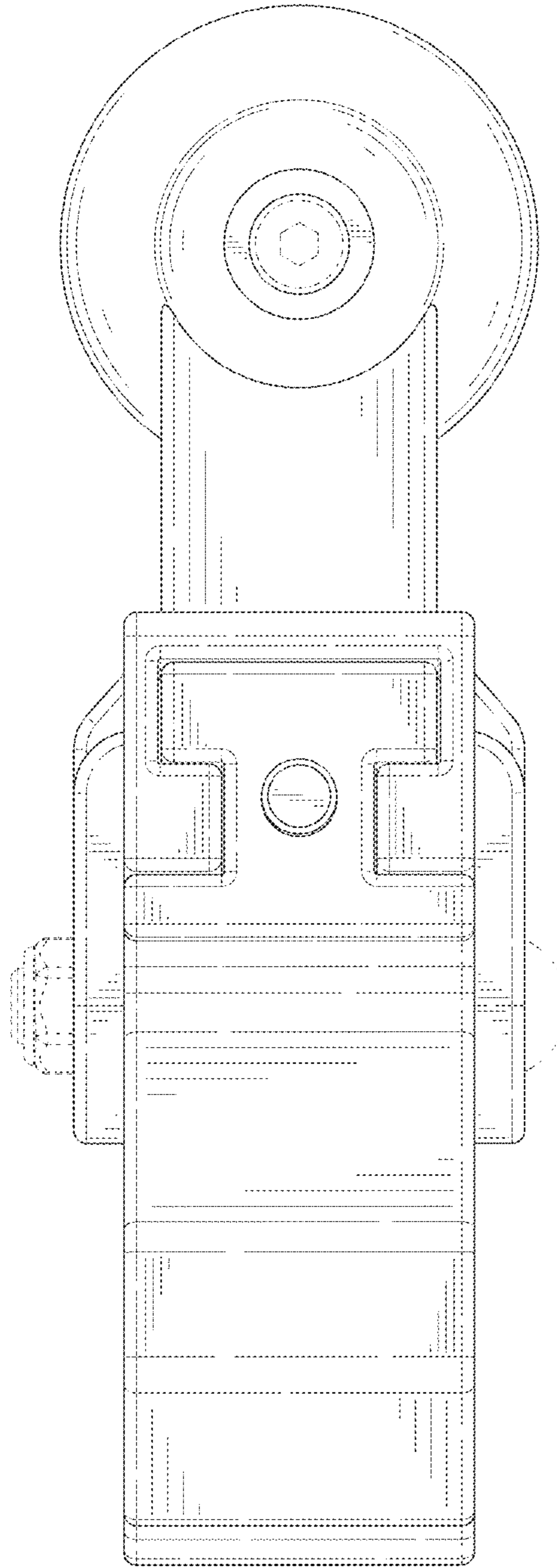


FIG. 7

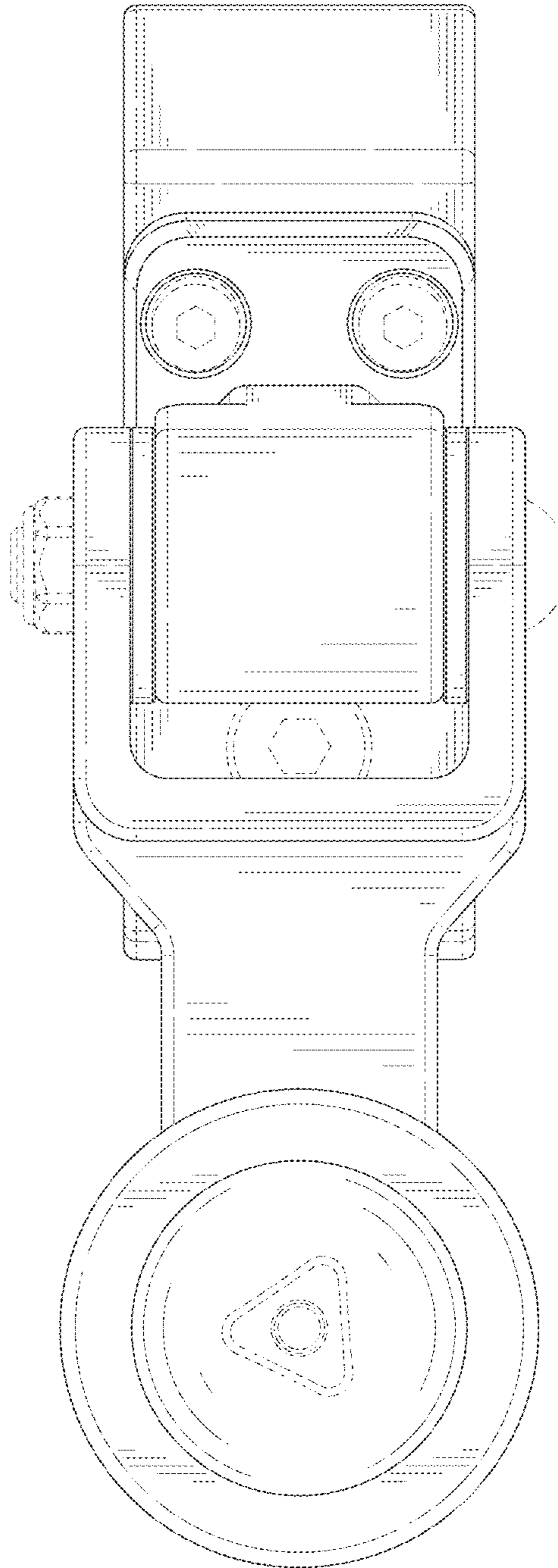


FIG. 8