



US00D980696S

(12) **United States Design Patent** (10) **Patent No.:** **US D980,696 S**
Liao (45) **Date of Patent:** **** *Mar. 14, 2023**

(54) **FLANGE WITH STAR**
(71) Applicant: **Guizhou Shunyue Trading Co., Ltd.**,
Qiandongnan Prefecture (CN)
(72) Inventor: **Shuangqiang Liao**, Qiandongnan
Prefecture (CN)
(73) Assignee: **Guizhou Shunyue Trading Co., Ltd.**,
Qiandongnan Prefecture (CN)
(*) Notice: This patent is subject to a terminal dis-
claimer.

D371,138 S * 6/1996 Waskiewicz D15/143
D371,139 S * 6/1996 Waskiewicz D15/143
D382,943 S 8/1997 Doughty et al.
D462,256 S * 9/2002 Jaynes D8/382
D464,739 S * 10/2002 Belli D25/68
D583,502 S * 12/2008 Schuler D26/121
D687,755 S * 8/2013 Griffin D12/197
D698,739 S * 2/2014 Kleinschmidt D13/177
D729,354 S * 5/2015 Kieper D23/262
D729,355 S * 5/2015 Kieper D23/262
D737,406 S * 8/2015 Waggoner D23/233
D853,927 S * 7/2019 Sklyut D12/204
D875,787 S * 2/2020 Kamio D15/7
D900,980 S * 11/2020 Newcomb D23/259
D908,196 S * 1/2021 Tropper D23/262

(**) Term: **15 Years**

* cited by examiner

(21) Appl. No.: **29/844,194**

Primary Examiner — Marissa J Cash

(22) Filed: **Jun. 27, 2022**

Assistant Examiner — Kayla Marie Bennett

(51) **LOC (14) Cl.** **08-05**

(74) *Attorney, Agent, or Firm* — Shen Huang

(52) **U.S. Cl.**
USPC **D8/354; D8/382**

(57) **CLAIM**

(58) **Field of Classification Search**

The ornamental design for a flange with star, as shown and described.

USPC D8/382, 354; D12/159, 160, 161;
301/137, 105.1, 106, 259; D23/245,
D23/259–269; 285/86–93; D25/68
CPC E04D 13/1476; F16L 23/024; B29C 57/00;
E03D 11/16; E03D 11/17; F16K 5/063;
F16K 5/0642; F16K 15/03; F16K 5/0657;
F16K 15/202; F04B 25/00; F04B 27/00;
F04B 33/00; F04B 35/00; F04B 37/00;
F04B 39/00; F04B 39/12; F04B 41/00
See application file for complete search history.

DESCRIPTION

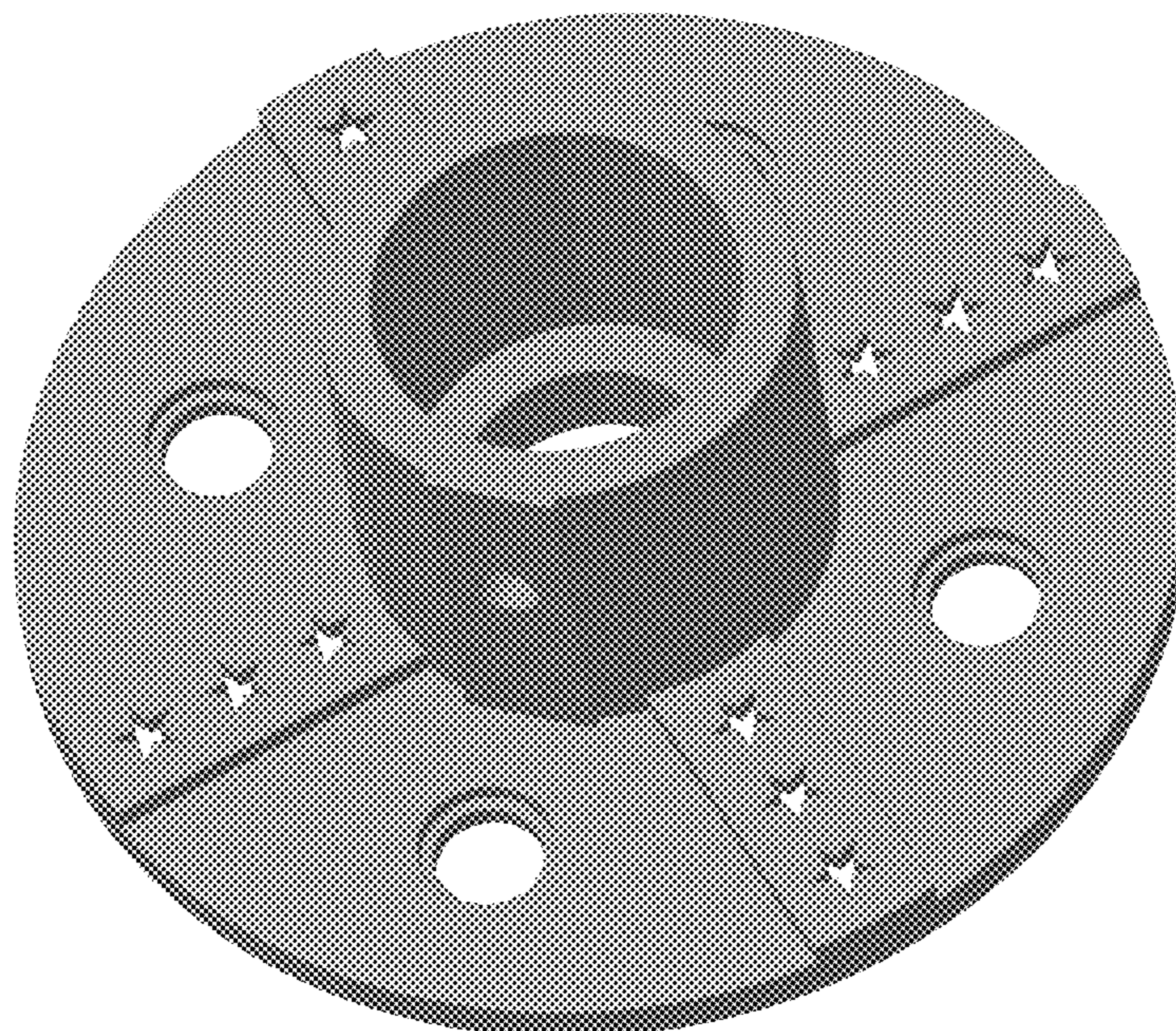
(56) **References Cited**

FIG. 1 is a front perspective view of a flange with star, showing my new design;
FIG. 2 is a top plan view thereof;
FIG. 3 is a bottom plan view thereof;
FIG. 4 is a left side elevation view thereof;
FIG. 5 is a right side elevation view thereof;
FIG. 6 is a rear elevation view thereof;
FIG. 7 is a front elevation view thereof; and
FIG. 8 is a bottom perspective view thereof.

U.S. PATENT DOCUMENTS

D296,465 S * 6/1988 Mendoza D23/221
D344,683 S * 3/1994 Stromback D10/74

1 Claim, 8 Drawing Sheets



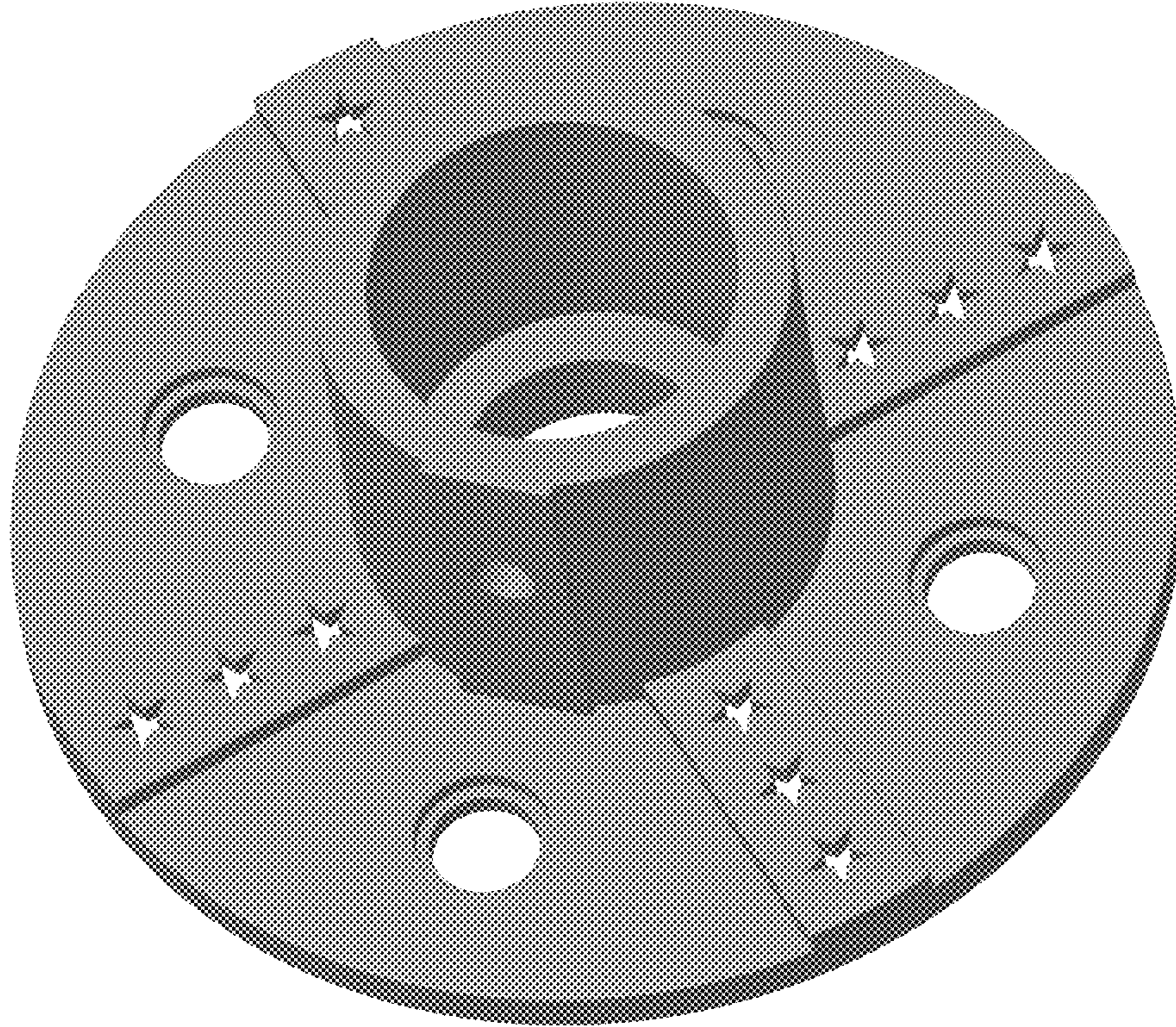


FIG. 1

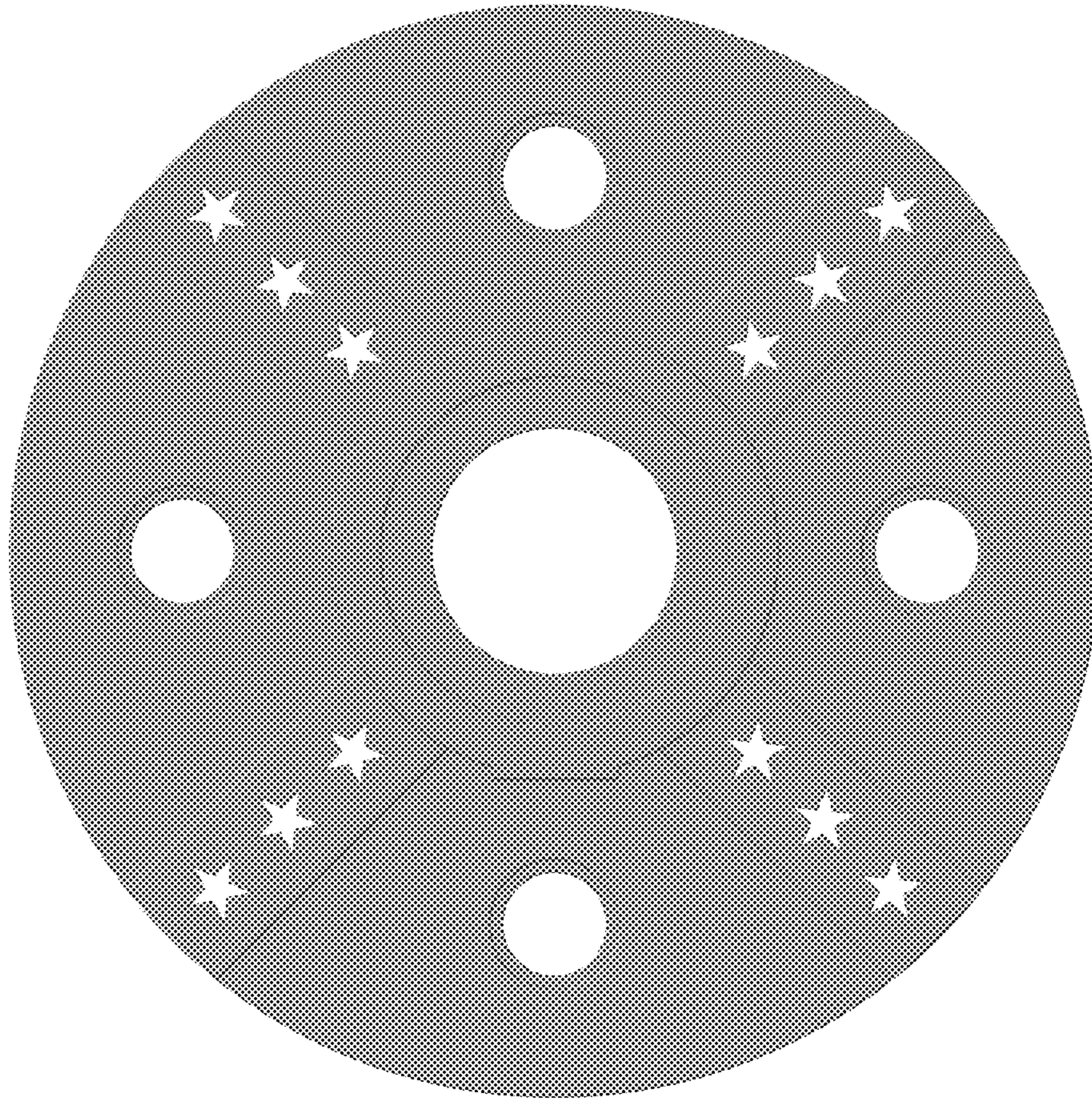


FIG. 2

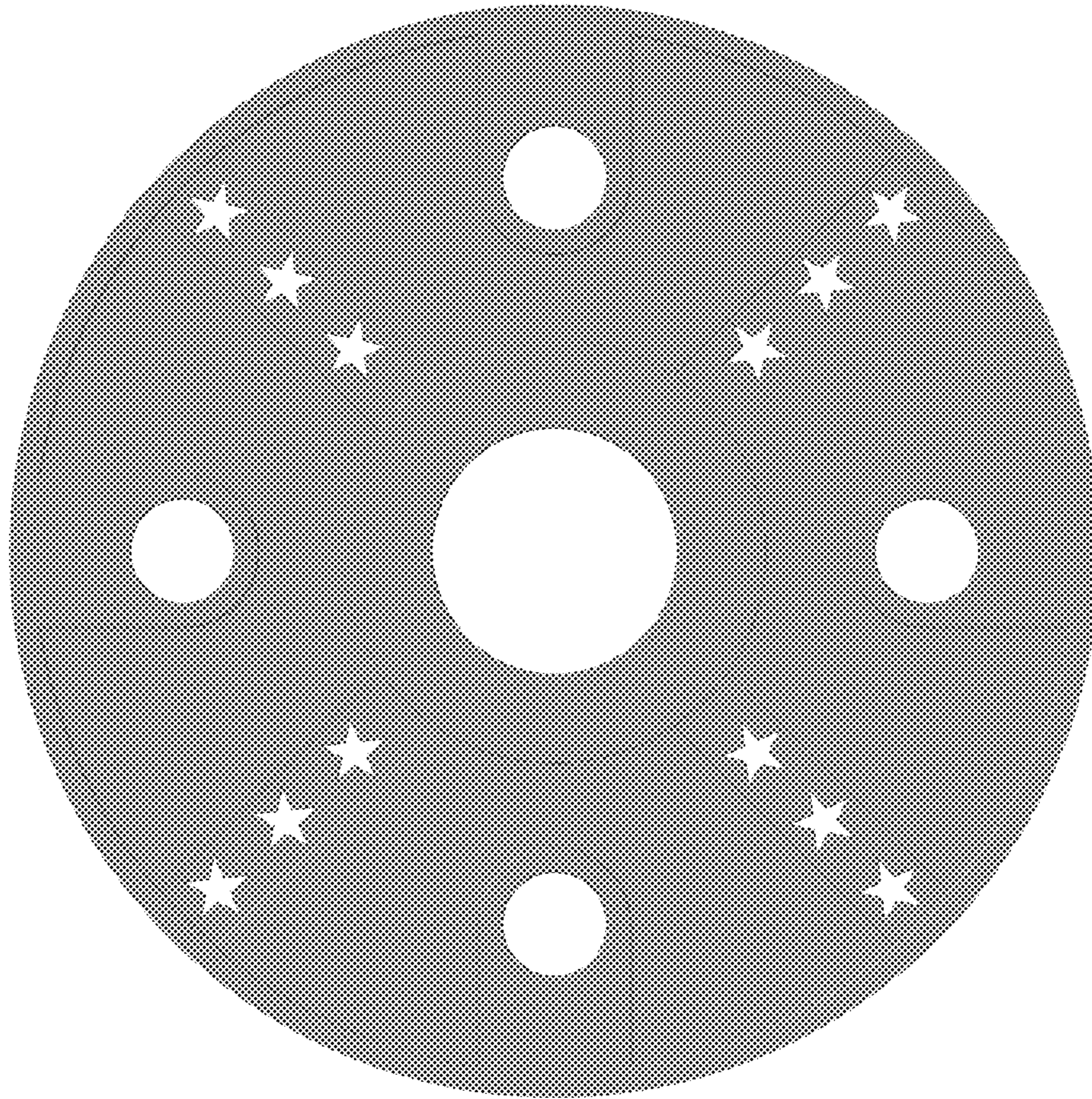


FIG. 3

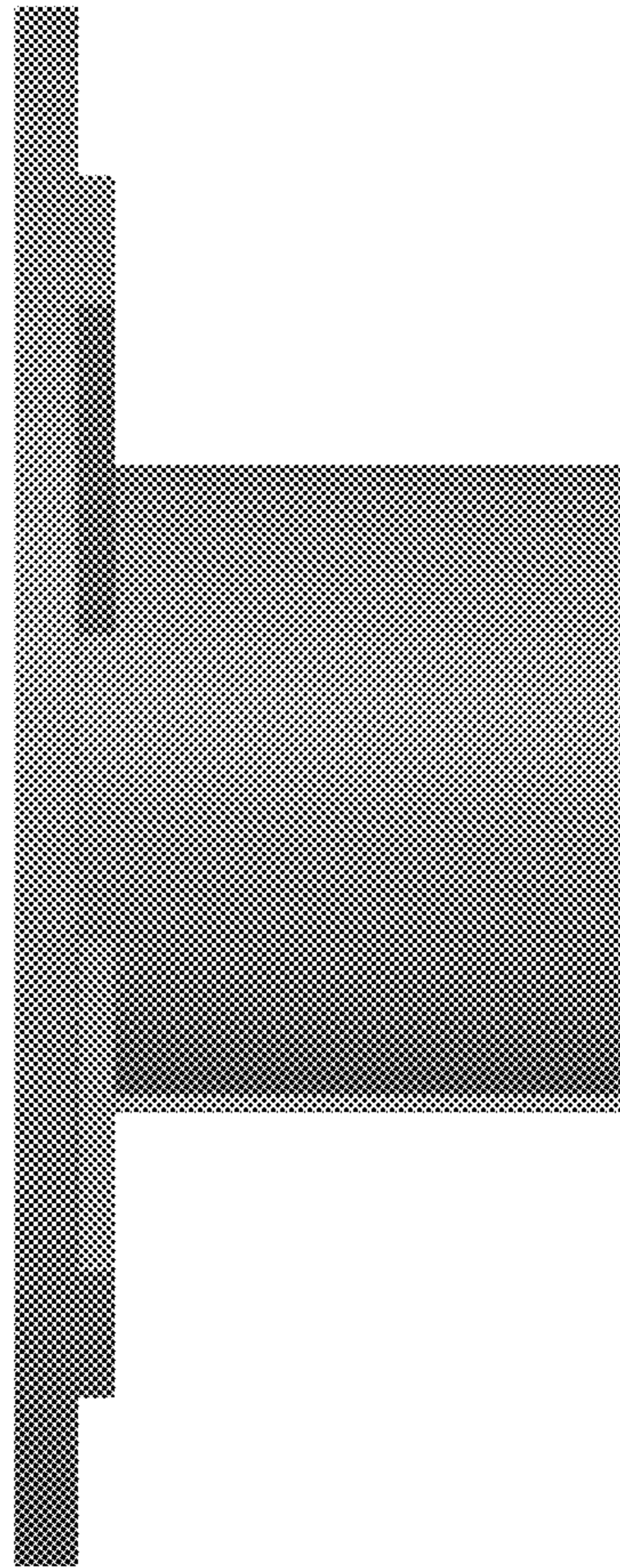


FIG. 4

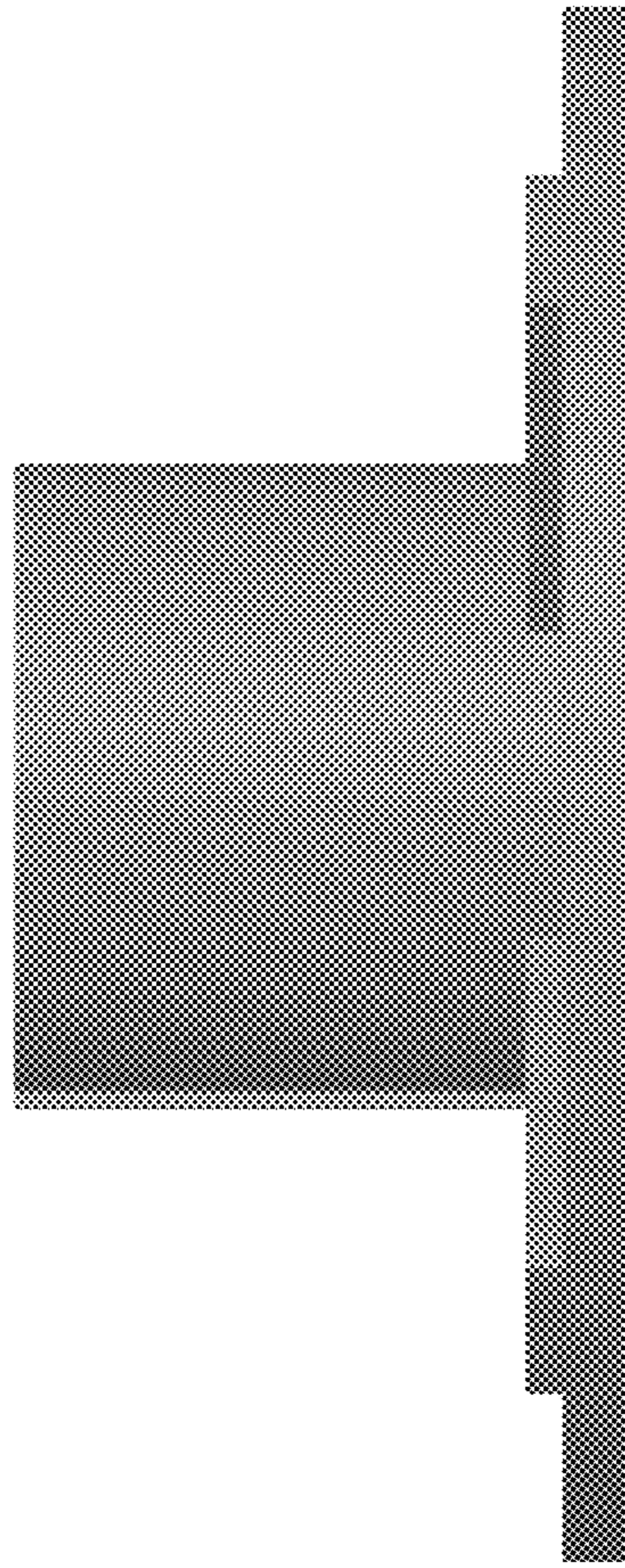


FIG. 5

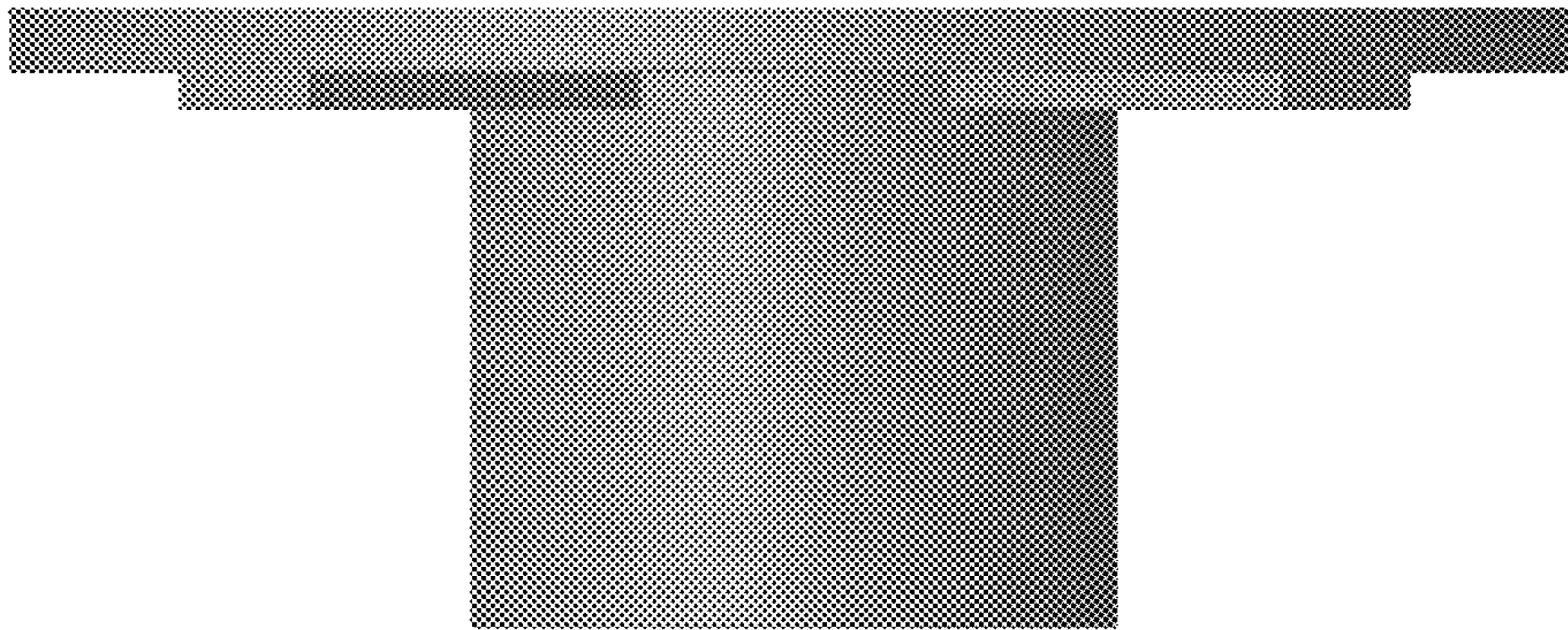


FIG. 6

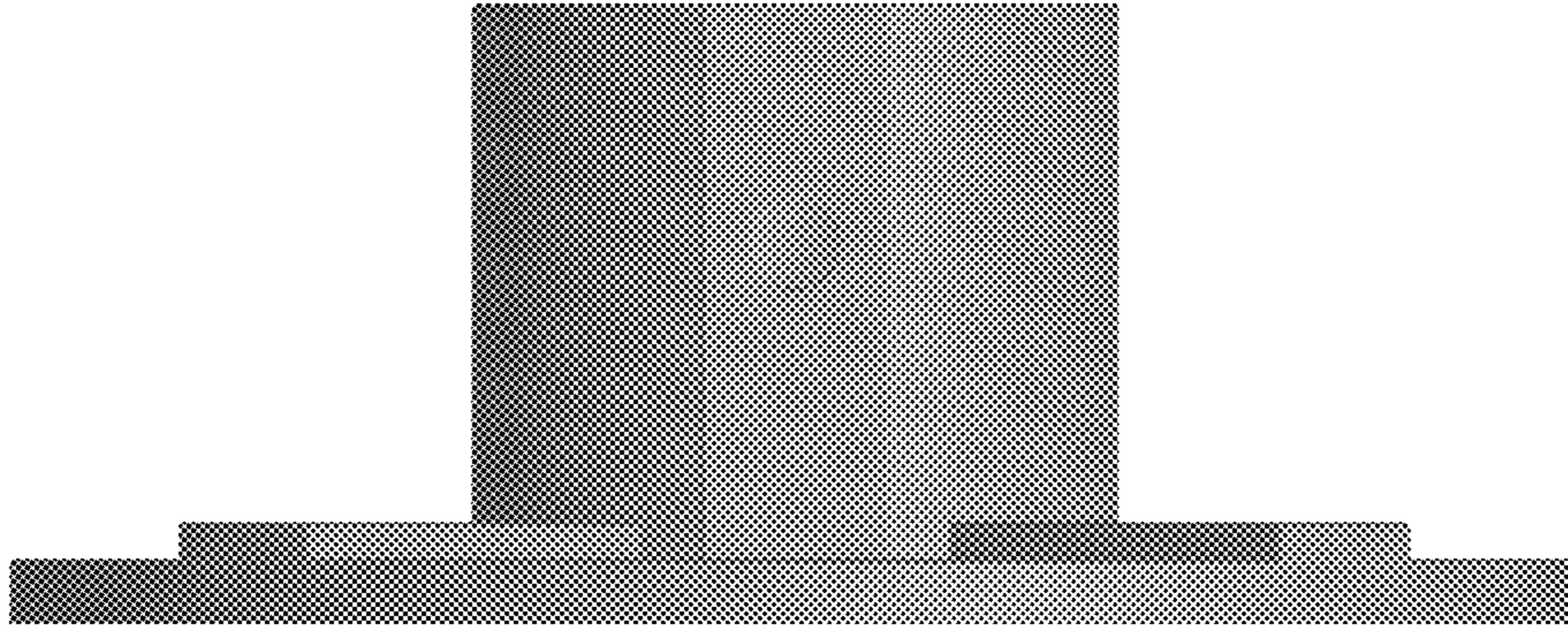


FIG. 7

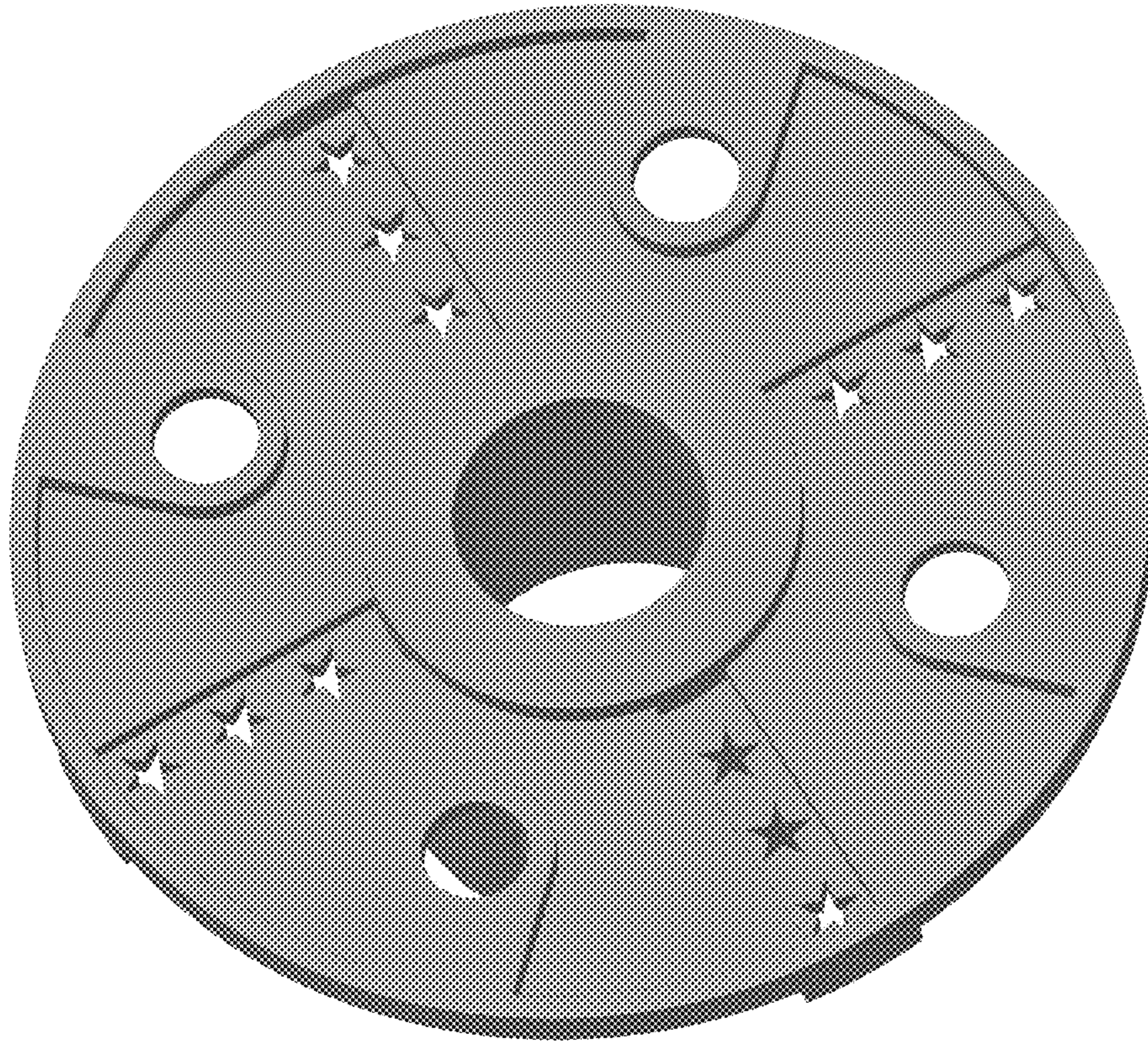


FIG. 8